



US00D946126S

(12) **United States Design Patent**
Seum et al.

(10) **Patent No.:** **US D946,126 S**
(45) **Date of Patent:** **** Mar. 15, 2022**

(54) **FAUCET**

(71) Applicant: **Grohe AG**, Hemer (DE)

(72) Inventors: **Michael Seum**, Duesseldorf (DE);
Jung-Beom Han, Duesseldorf (DE)

(73) Assignee: **Grohe AG**, Hemer (DE)

(**) Term: **15 Years**

(21) Appl. No.: **29/723,712**

(22) Filed: **Feb. 10, 2020**

(30) **Foreign Application Priority Data**

Aug. 9, 2019 (EM) 006694170-0010

(51) **LOC (13) Cl.** **23-01**

(52) **U.S. Cl.**
USPC **D23/257**

(58) **Field of Classification Search**
USPC D23/257, 249, 254, 259, 255, 233, 234,
D23/235, 236, 237, 238, 240, 241, 242,
D23/243, 244, 245, 246, 247, 248, 250,
D23/251, 252, 253, 256
CPC E03C 1/01; E03C 1/0409; E03C 1/025;
E03C 1/0408; Y10T 137/5339; Y10T
137/6014; Y10T 137/6021
See application file for complete search history.

(56) **References Cited**

U.S. PATENT DOCUMENTS

D293,816 S * 1/1988 Bergmann D23/238
D359,796 S * 6/1995 Formgren D23/241
D378,774 S * 4/1997 Kergoet D23/238
5,813,436 A * 9/1998 Chen F16K 11/0445
137/360
D443,916 S * 6/2001 Mullenmeister D23/238
D584,798 S * 1/2009 Zetsche D23/238

D636,466 S * 4/2011 Schoenherr D23/255
D643,094 S * 8/2011 Matsuura D23/242
D647,177 S * 10/2011 Liao D23/238

(Continued)

FOREIGN PATENT DOCUMENTS

CN 02302101 * 1/2002
CN 201730341993 * 7/2017
IN 228422 * 4/2010

OTHER PUBLICATIONS

Amazon, Kisimixer Wall Mounted Shower Faucet, posted Mar. 12, 2019, [online], [visited Jun. 16, 2021]. Internet, <URL: <https://www.amazon.co.uk/kisimixer-Mounted-Control-Bathroom-Accessories/dp/B08319CYJN/ref>> (Year: 2019).*

(Continued)

Primary Examiner — Samantha Wood

(74) *Attorney, Agent, or Firm* — Muncy, Geissler, Olds & Lowe, P.C.

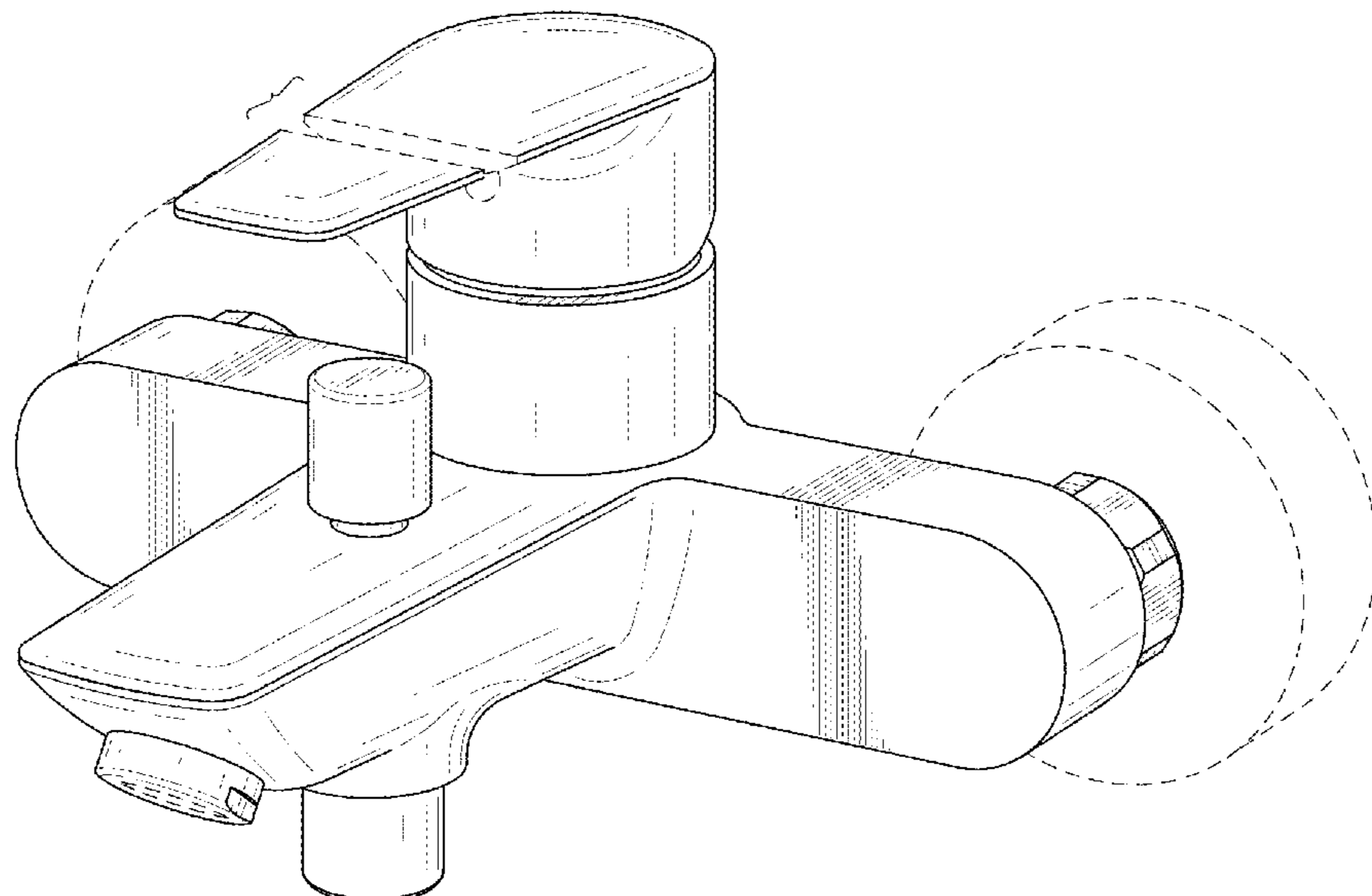
(57) **CLAIM**

The ornamental design for a faucet, as shown and described.

DESCRIPTION

FIG. 1 is a front perspective view of a faucet according to the present invention.
FIG. 2 is a front view of the faucet of FIG. 1.
FIG. 3 is a rear view of the faucet of FIG. 1.
FIG. 4 is a left side view of the faucet of FIG. 1.
FIG. 5 is a right side view of the faucet of FIG. 1.
FIG. 6 is a top view of the faucet of FIG. 1; and,
FIG. 7 is a bottom view of the faucet of FIG. 1.
The broken lines are included for the purpose of illustrating the environmental structure and form no part of the claimed design.
The faucet is shown with symbolic breaks in length. The appearance of any portion of the article between the break lines forms no part of the claimed design.

1 Claim, 7 Drawing Sheets



(56)

References Cited

U.S. PATENT DOCUMENTS

D698,422 S * 1/2014 Schoenherr D23/238
D757,225 S * 5/2016 Schoenherr D23/252

OTHER PUBLICATIONS

Amazon, Ciencia Wall Mounted Shower Faucet, posted Feb. 22, 2017, [online], [visited Jun. 16, 2021]. Internet, <URL: <https://www.amazon.co.uk/Ciencia-stainless-Bathroom-Shower-Wall-Mounted/dp/B06X985L6T/ref>> (Year: 2017).*

* cited by examiner

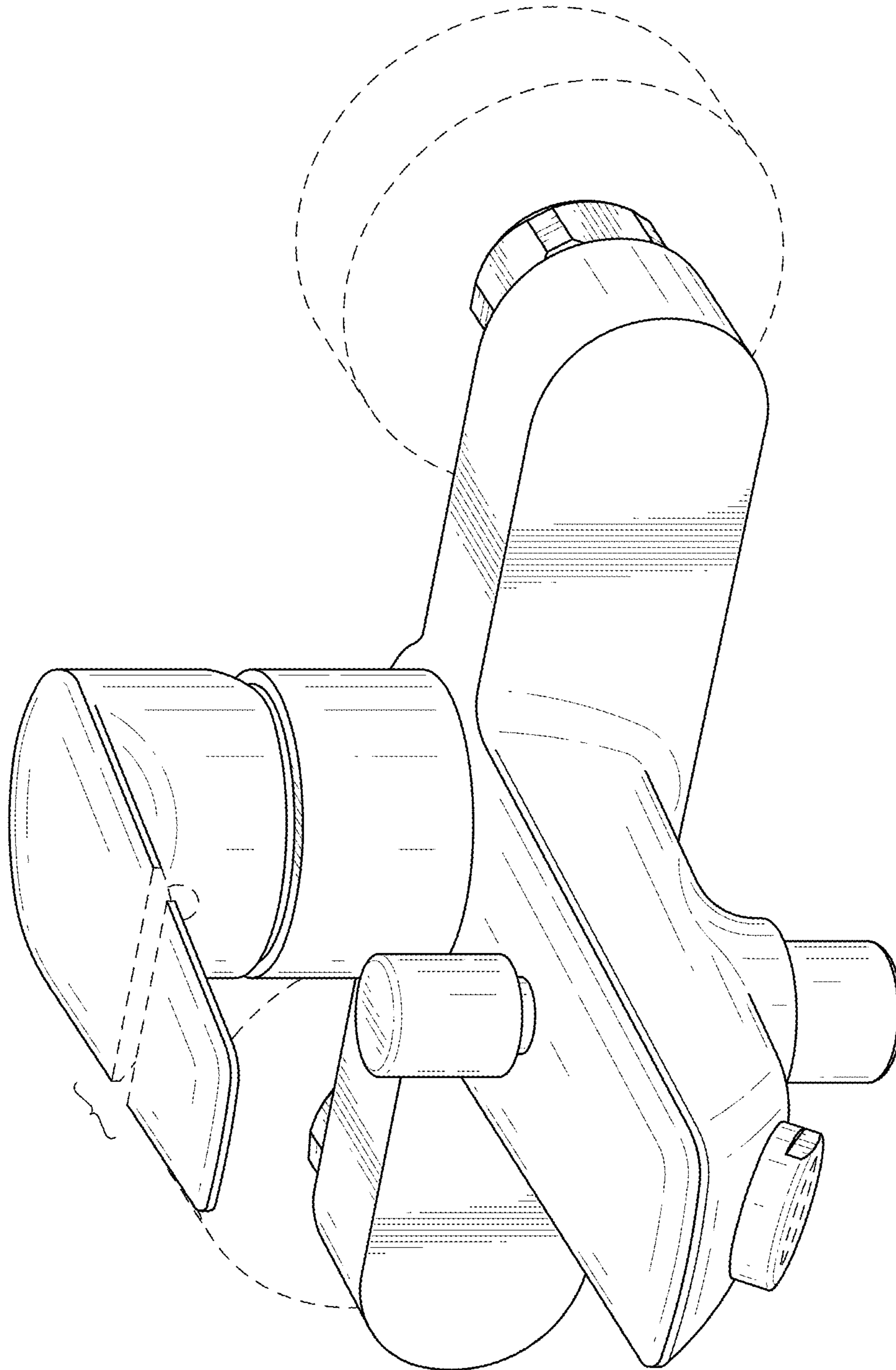


FIG.1

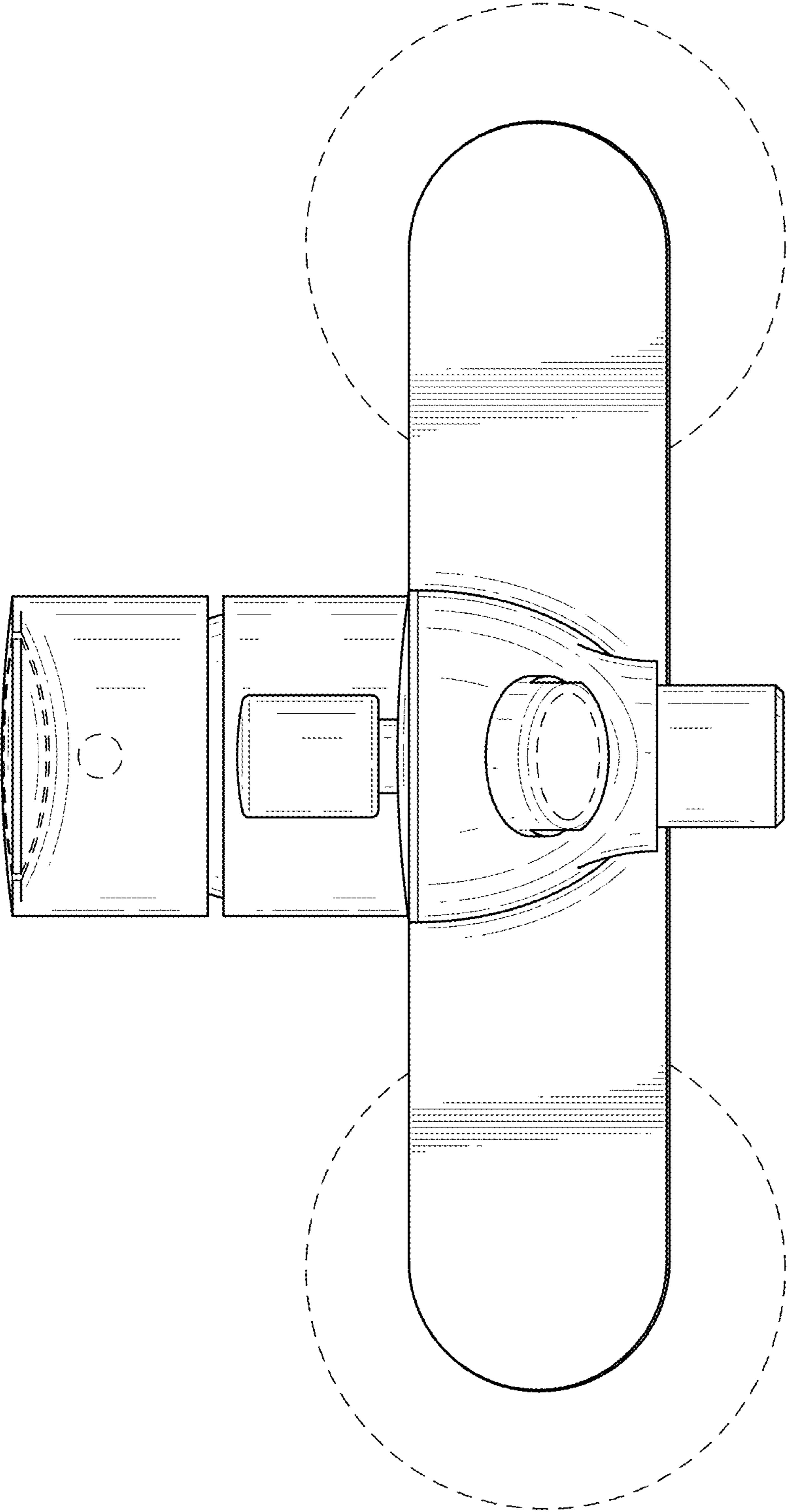


FIG.2

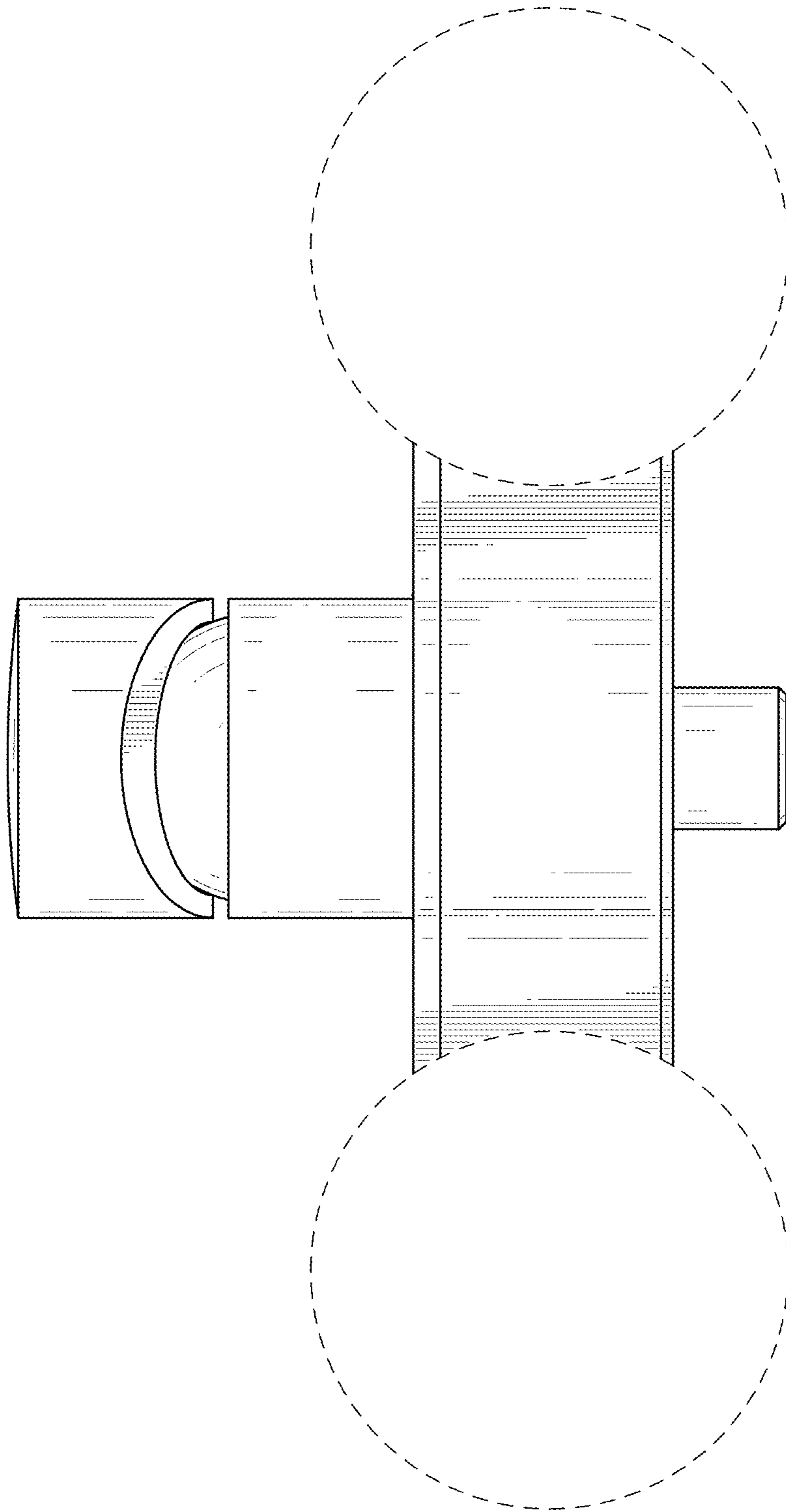


FIG.3

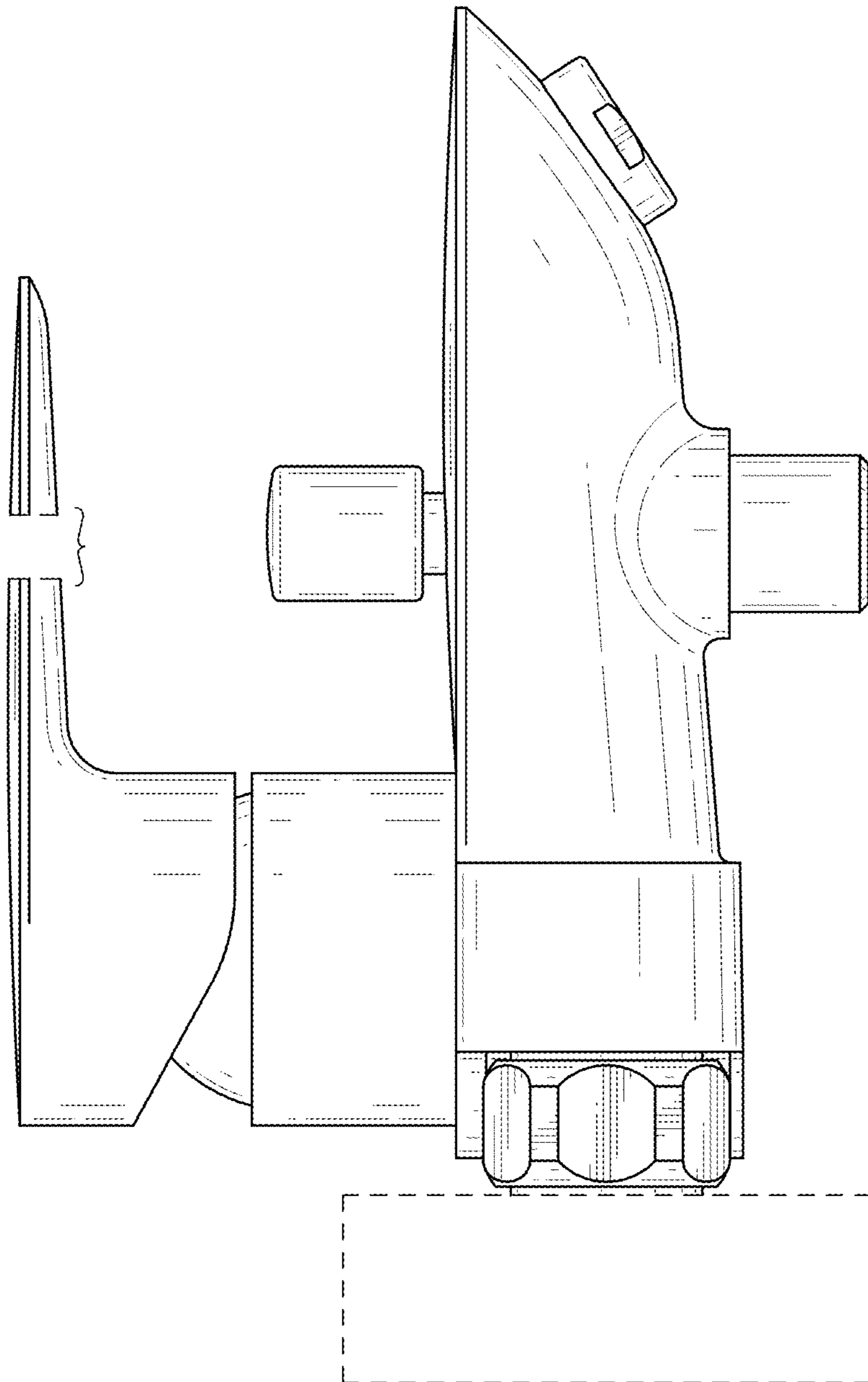


FIG.4

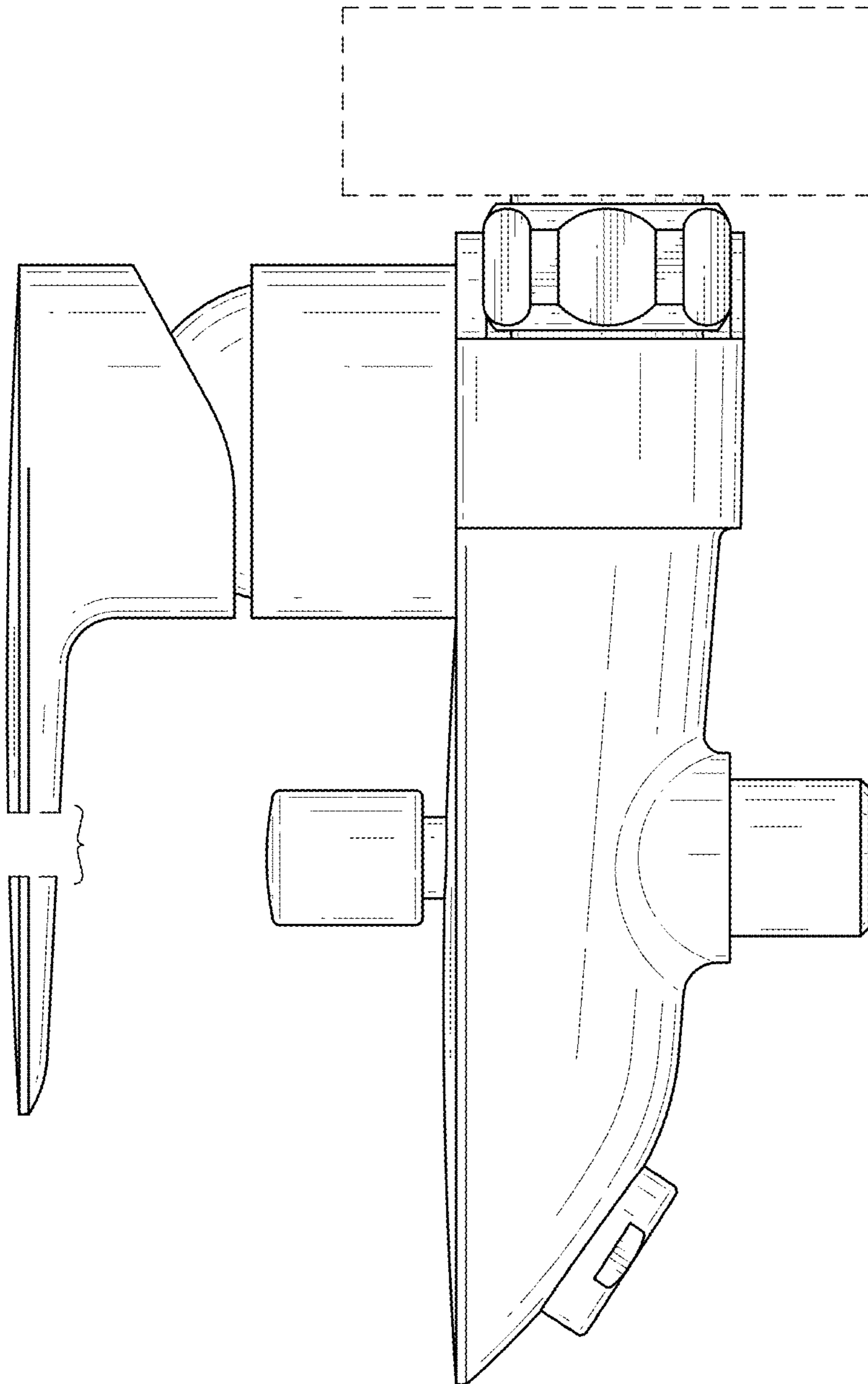


FIG.5

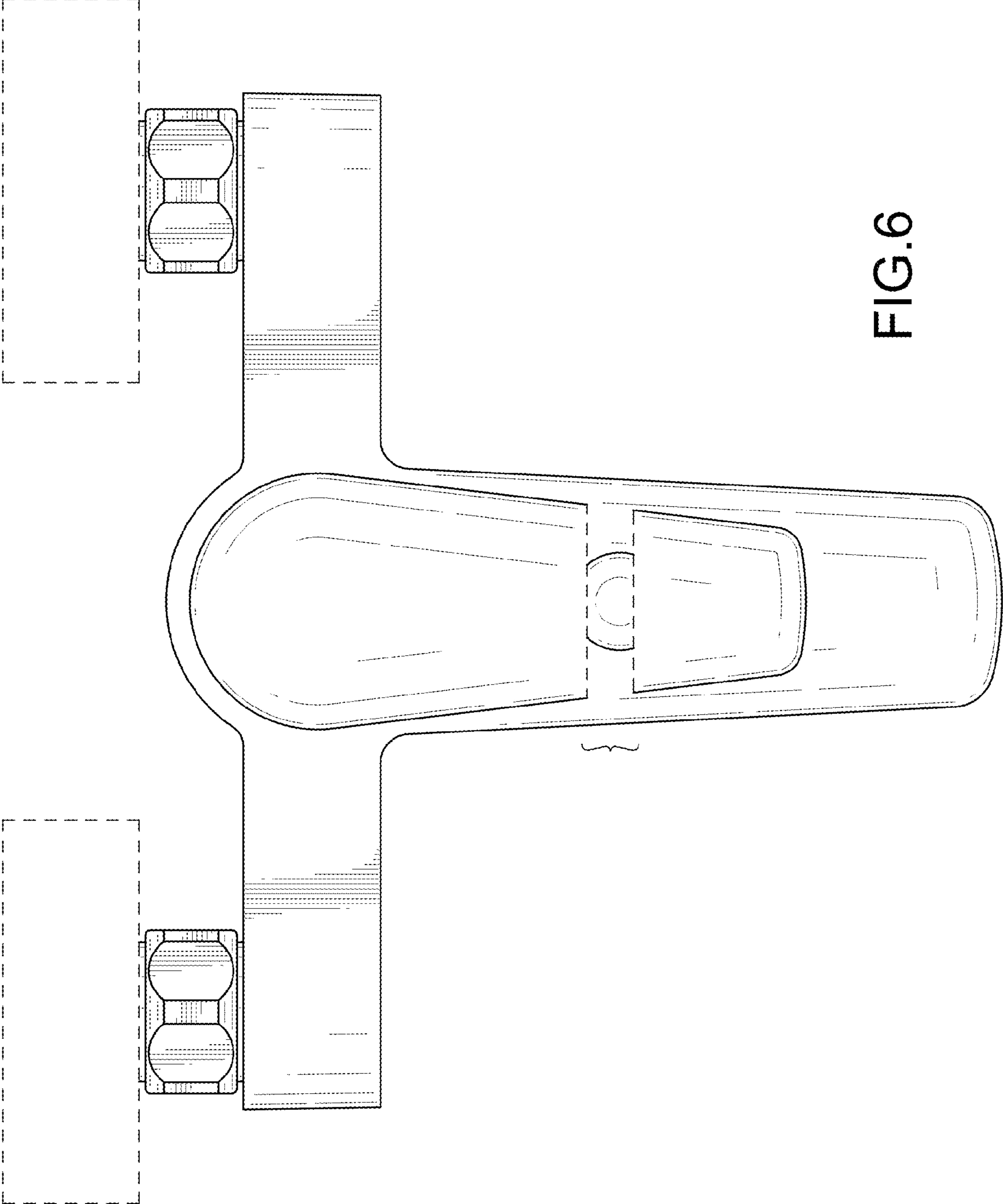


FIG.6

FIG.7

