



US00D946125S

(12) **United States Design Patent**
Park

(10) **Patent No.:** **US D946,125 S**

(45) **Date of Patent:** **** Mar. 15, 2022**

(54) **FAUCET HANDLE**
(71) Applicant: **DELTA FAUCET COMPANY,**
Indianapolis, IN (US)
(72) Inventor: **Maris Park,** McCordsville, IN (US)

D529,586 S * 10/2006 Kulig D23/242
D568,448 S * 5/2008 Toyohara D23/254
8,079,381 B2 * 12/2011 Fischer F16K 31/607
137/359
D665,878 S * 8/2012 Flowers D23/250
D810,887 S * 2/2018 Schoenherr D23/254
D882,736 S * 4/2020 Eads D23/252

(73) Assignee: **DELTA FAUCET COMPANY,**
Indianapolis, IN (US)

* cited by examiner

(**) Term: **15 Years**

Primary Examiner — Robert A Delehanty

(74) *Attorney, Agent, or Firm* — Nirav D. Parikh; Edgar
A. Zarins

(21) Appl. No.: **29/738,120**

(57) **CLAIM**

The ornamental design for a faucet handle, as shown and
described.

(22) Filed: **Jun. 15, 2020**

(51) **LOC (13) Cl.** **23-01**

(52) **U.S. Cl.**
USPC **D23/254**

DESCRIPTION

(58) **Field of Classification Search**
USPC D23/241–243, 252, 254; D8/307–308,
D8/300

See application file for complete search history.

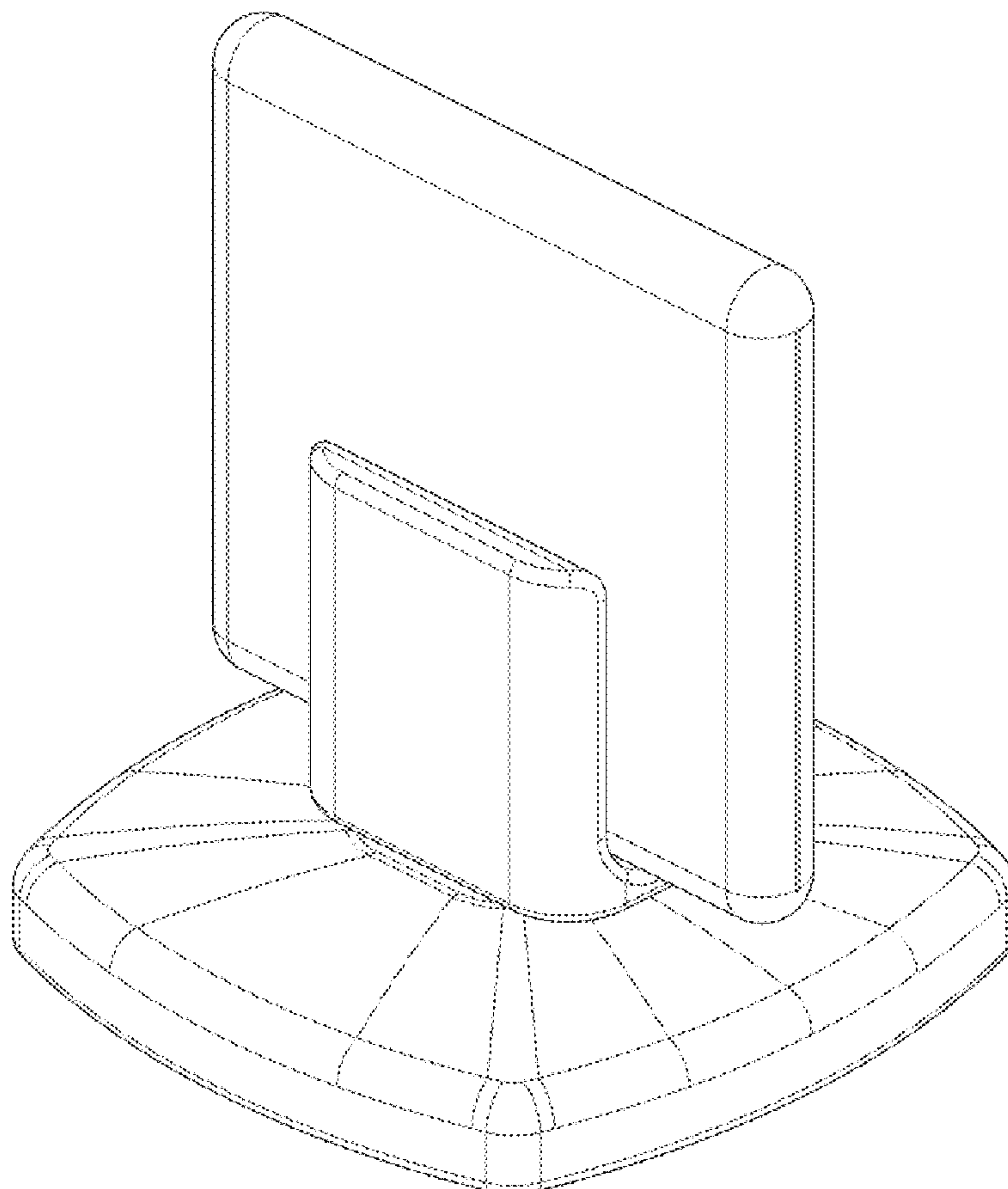
FIG. 1 is a front perspective view of a faucet handle showing
my new design;
FIG. 2 is a rear perspective view thereof;
FIG. 3 is a front elevational view thereof;
FIG. 4 is a left side view thereof;
FIG. 5 is a rear view thereof;
FIG. 6 is a right side view thereof;
FIG. 7 is a top plan view thereof; and,
FIG. 8 is a bottom view thereof.

(56) **References Cited**

U.S. PATENT DOCUMENTS

D522,840 S * 6/2006 Haug D8/310
D525,346 S * 7/2006 Kulig D23/238

1 Claim, 4 Drawing Sheets



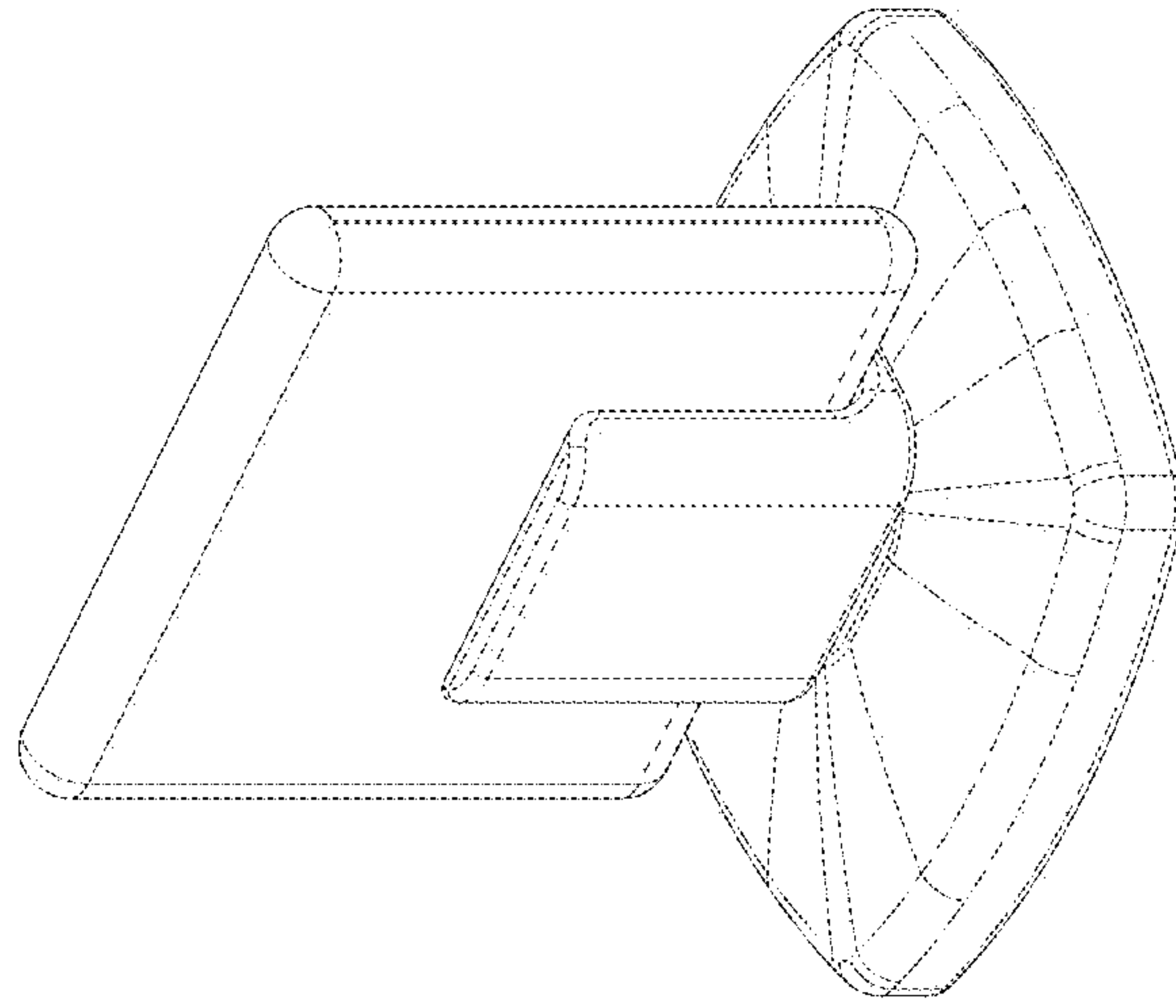


FIG - 2

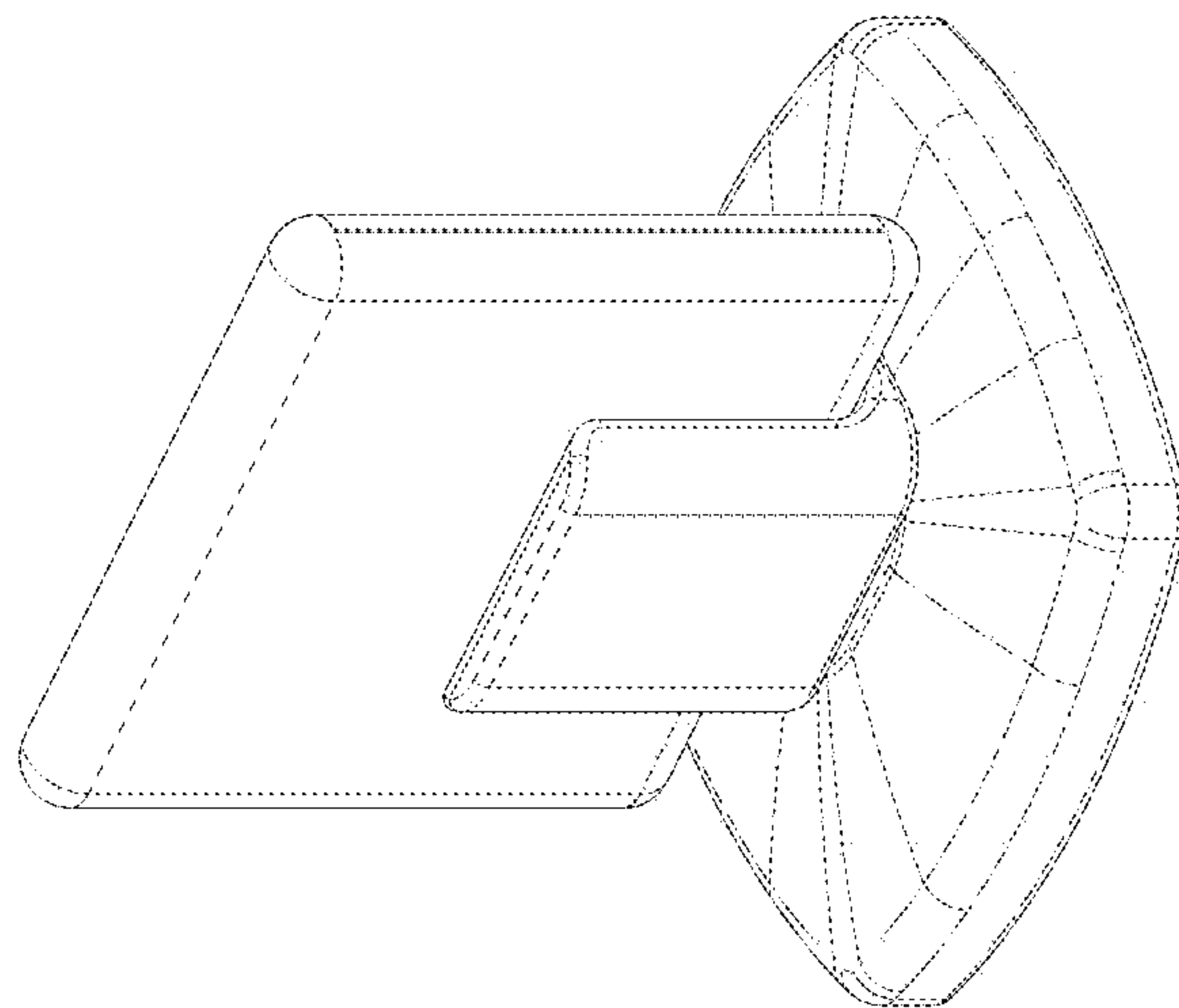


FIG - 1

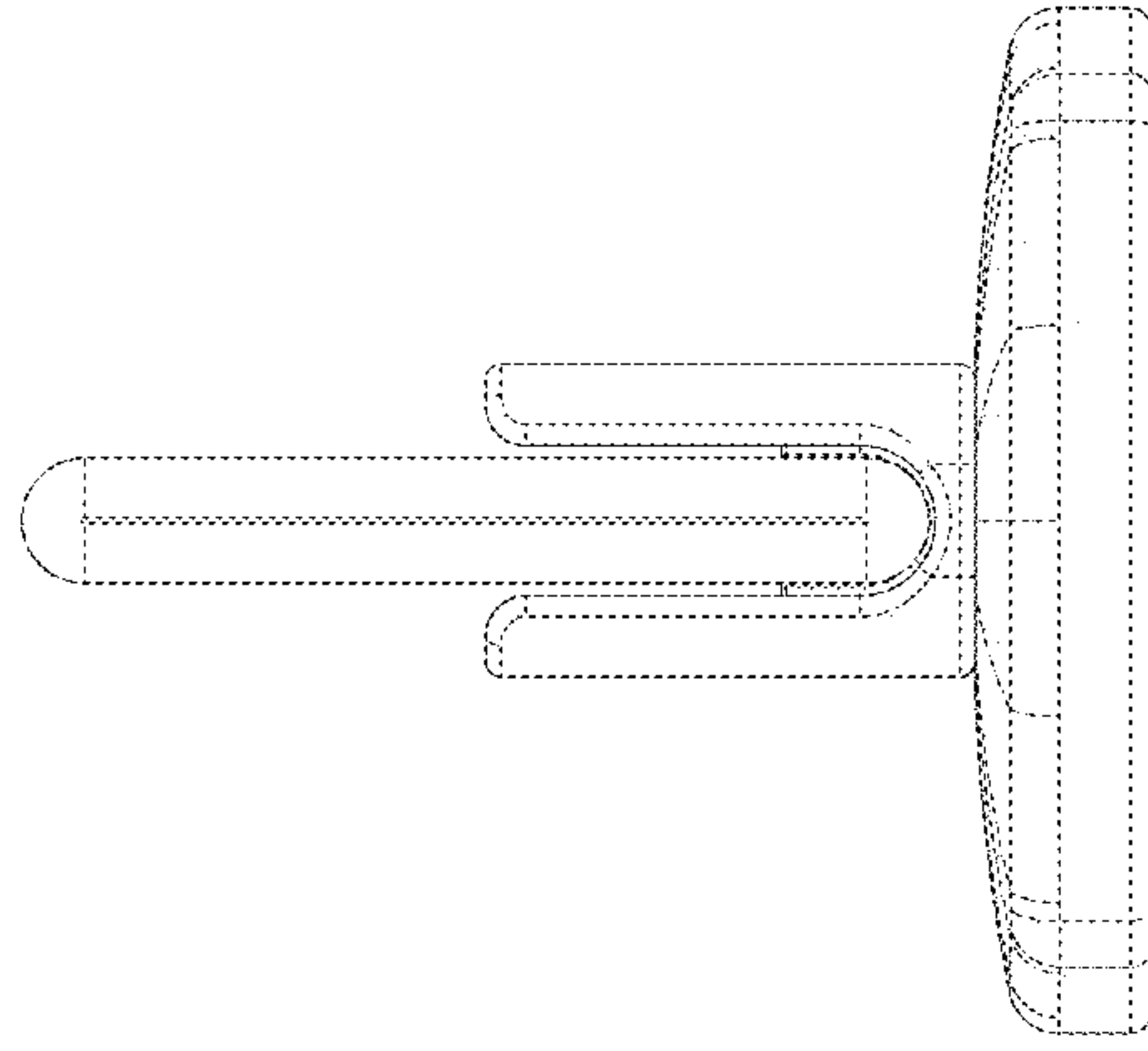


FIG - 4

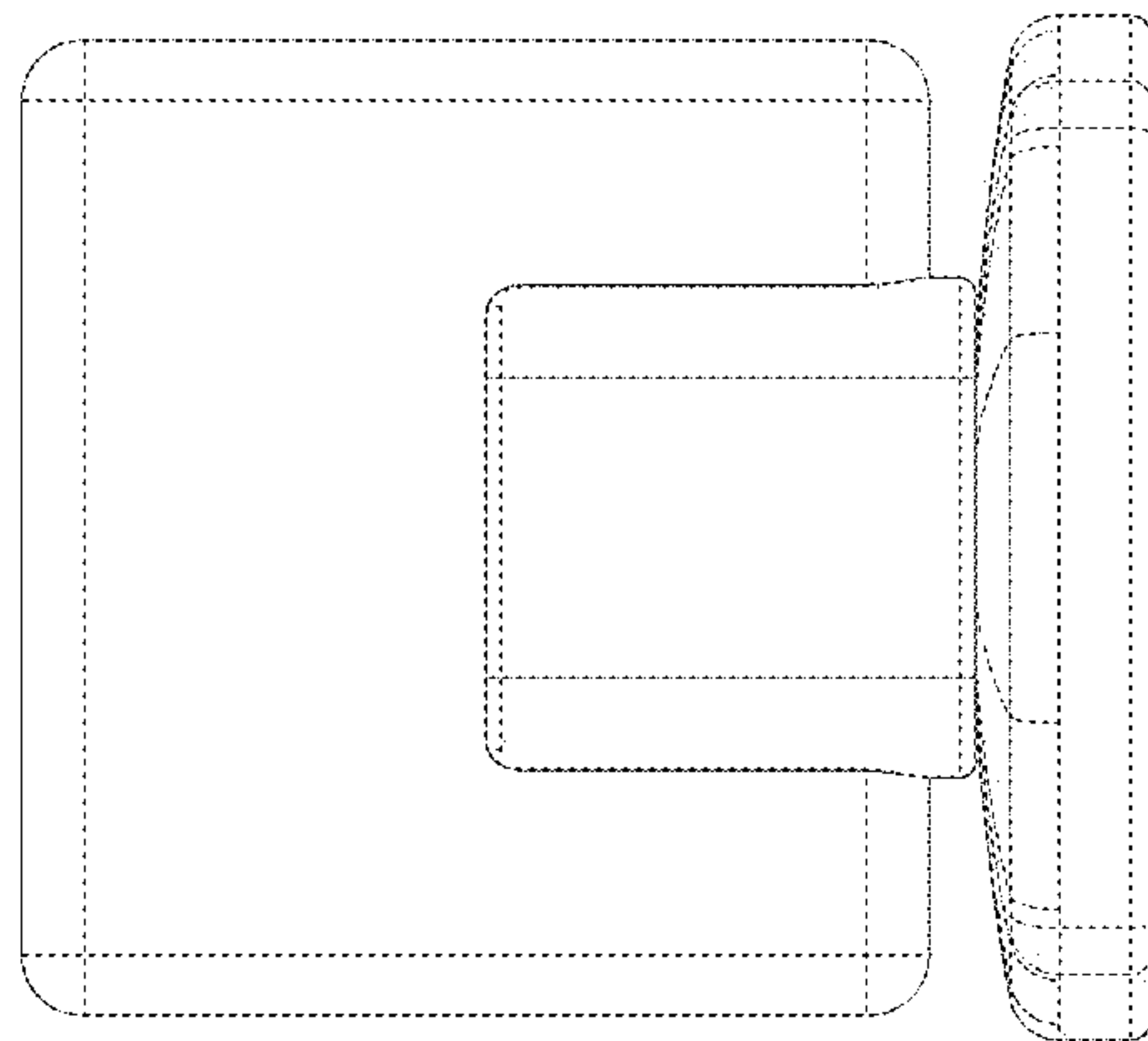


FIG - 3

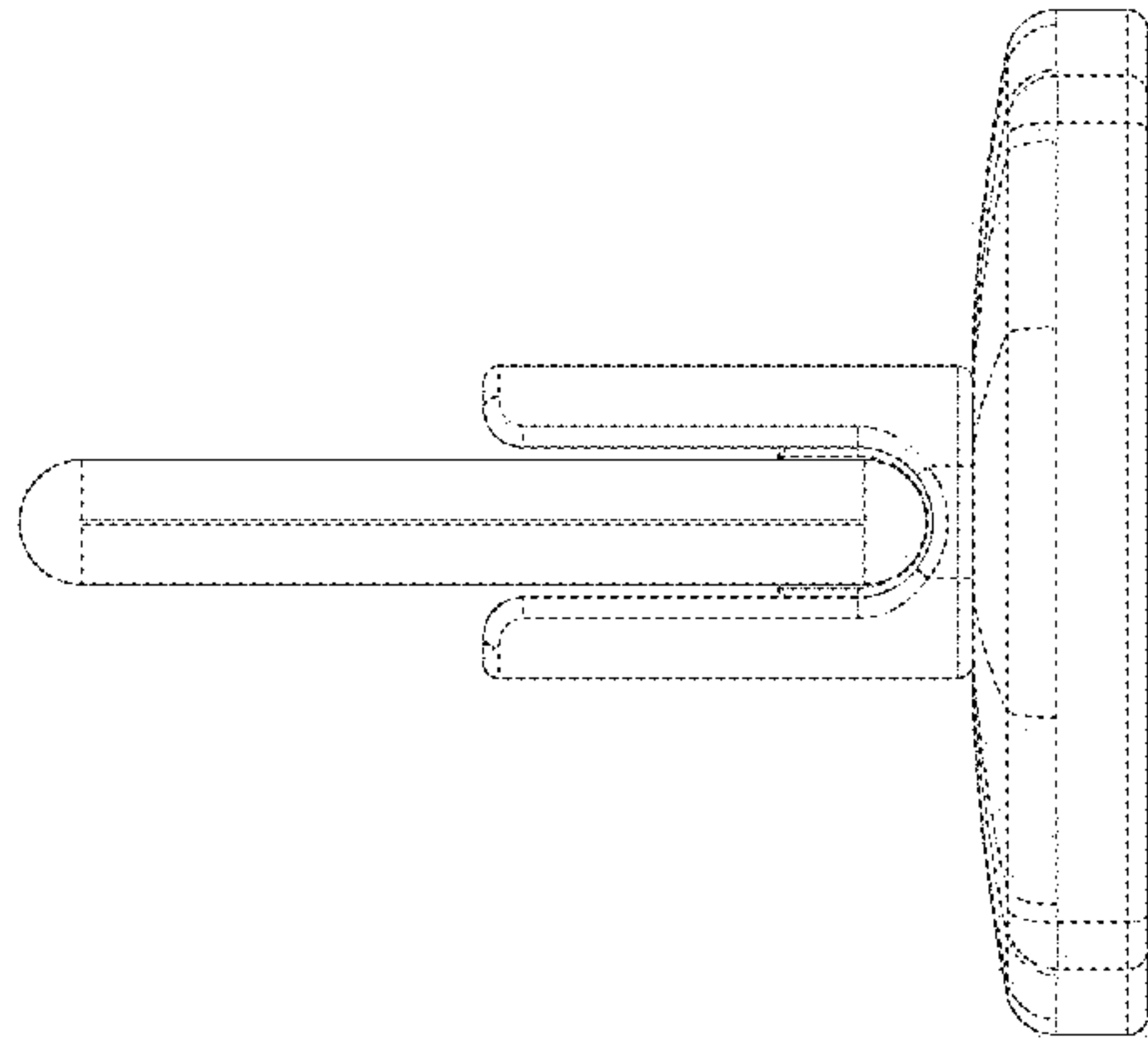


FIG - 6

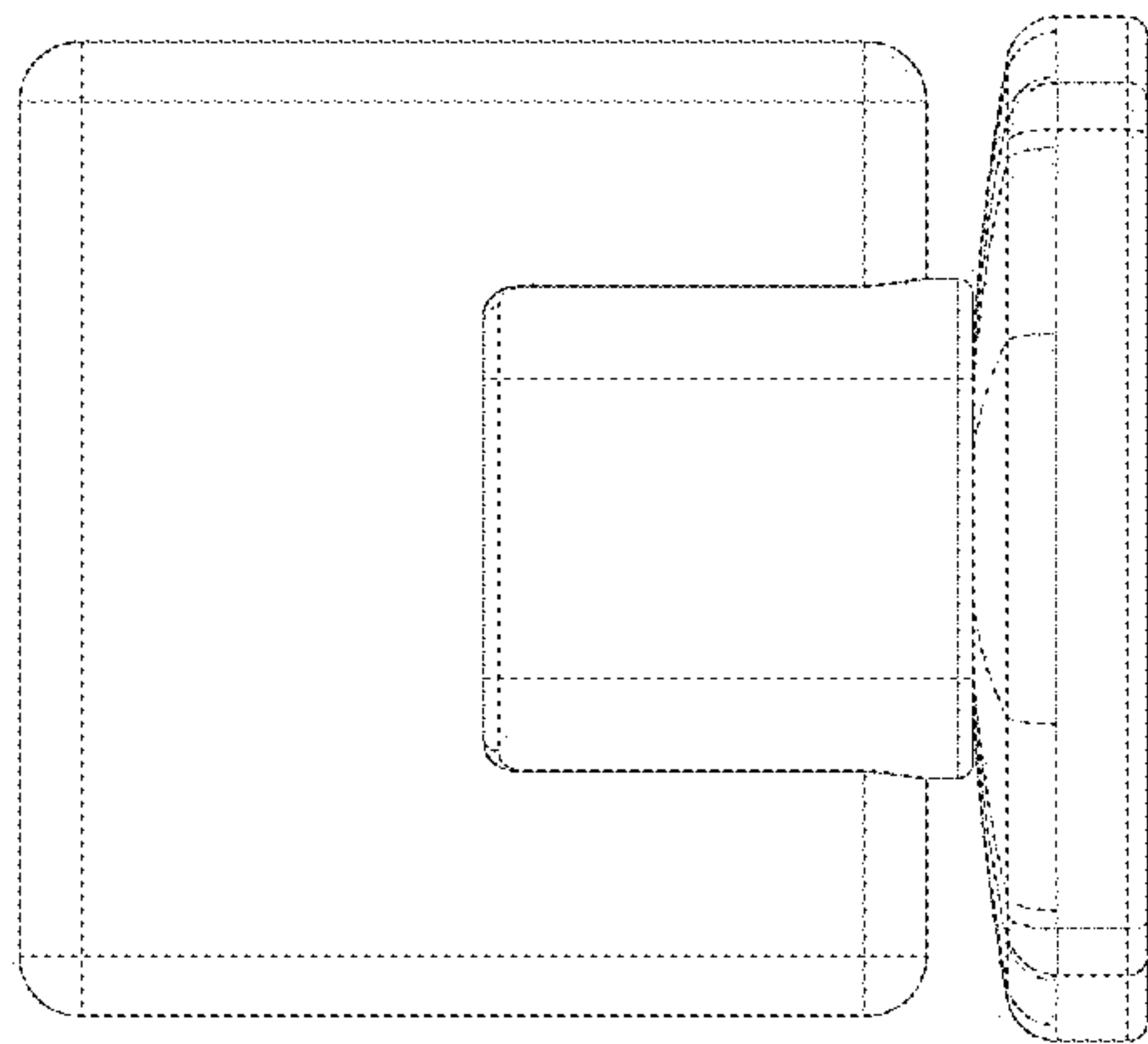


FIG - 5

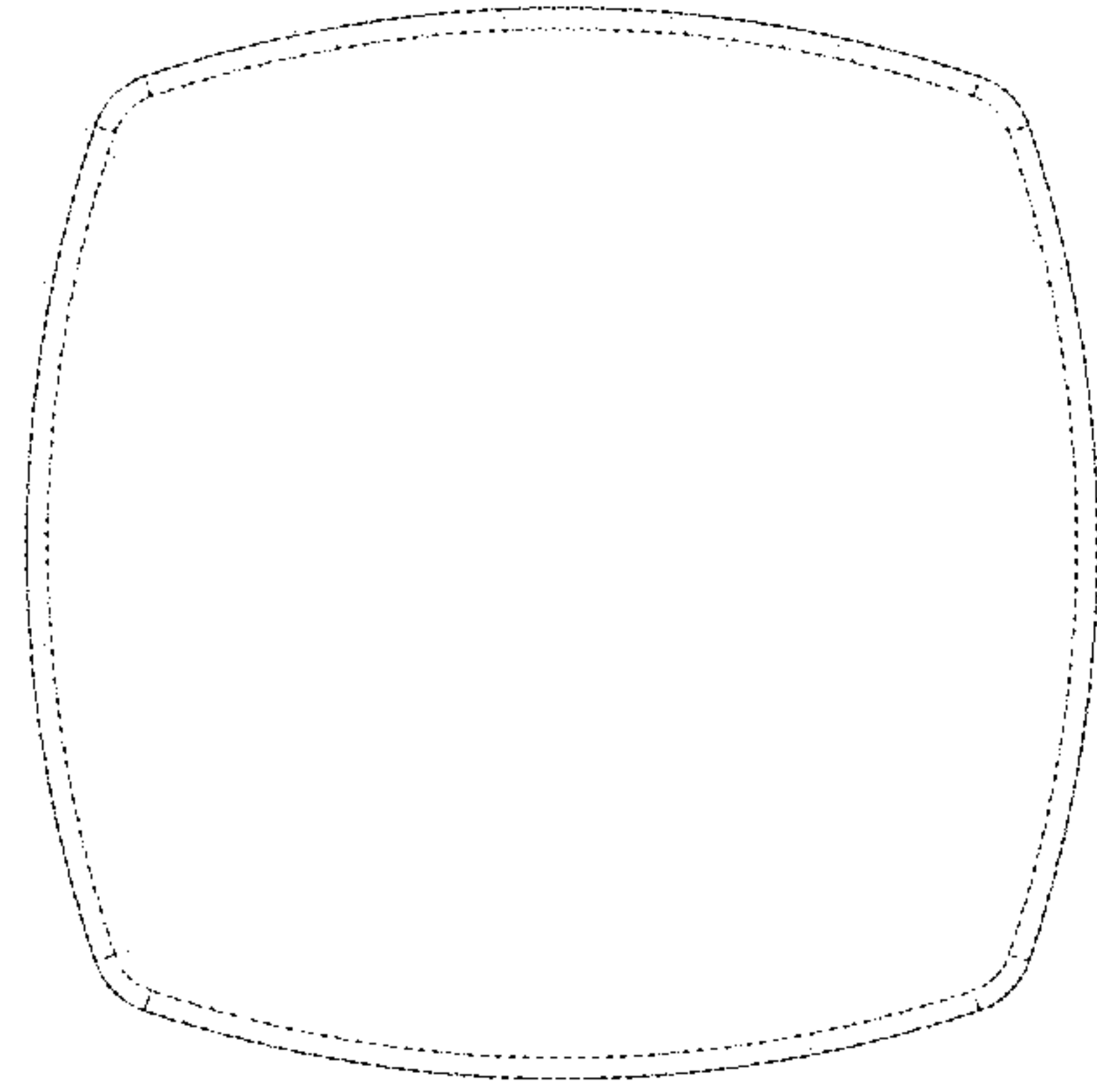


FIG - 8

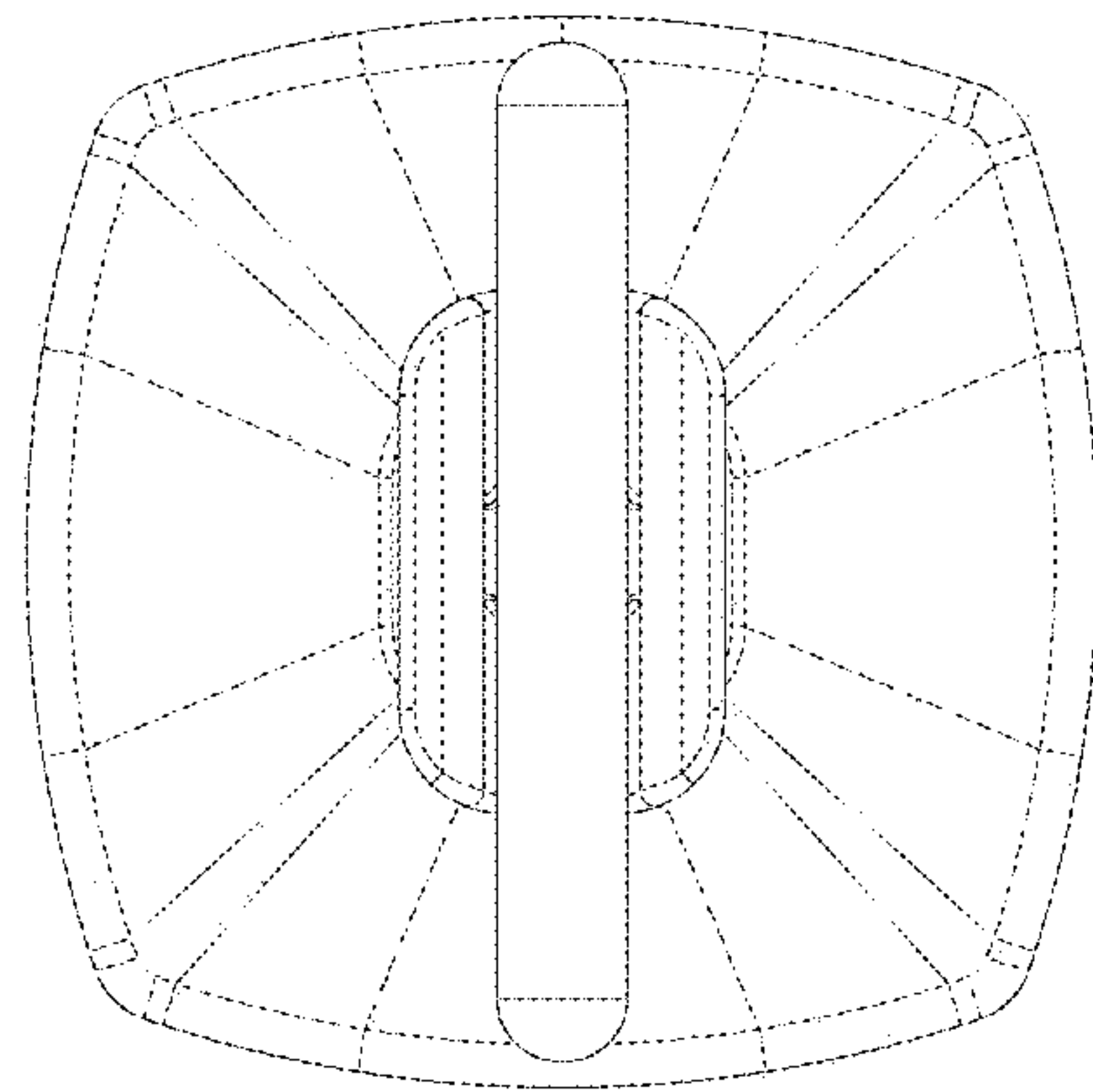


FIG - 7