



US00D946123S

(12) **United States Design Patent**
Park

(10) **Patent No.:** **US D946,123 S**

(45) **Date of Patent:** **** Mar. 15, 2022**

(54) **FAUCET**

(71) Applicant: **DELTA FAUCET COMPANY,**
Indianapolis, IN (US)

(72) Inventor: **Maris Park,** McCordsville, IN (US)

(73) Assignee: **DELTA FAUCET COMPANY,**
Indianapolis, IN (US)

(**) Term: **15 Years**

(21) Appl. No.: **29/738,138**

(22) Filed: **Jun. 15, 2020**

(51) **LOC (13) Cl.** **23-01**

(52) **U.S. Cl.**
USPC **D23/242**

(58) **Field of Classification Search**
USPC D23/241-243, 252, 254-255, 257;
D8/307-308

See application file for complete search history.

(56) **References Cited**

U.S. PATENT DOCUMENTS

D479,740 S * 9/2003 Citterio D23/242
D546,421 S * 7/2007 Kulig D23/241

D639,394 S * 6/2011 Citterio D23/238
D734,837 S * 7/2015 Sieger D23/242
D859,597 S * 9/2019 Eads D23/252
D868,943 S * 12/2019 Fritz D23/252
D879,253 S * 3/2020 Lazarini D23/252
D889,609 S * 7/2020 Takahashi D23/255
D922,538 S * 6/2021 Park D23/252
D926,291 S * 7/2021 Spangler D23/242

* cited by examiner

Primary Examiner — Robert A Delehanty

(74) *Attorney, Agent, or Firm* — Nirav D. Parikh; Edgar
A. Zarins

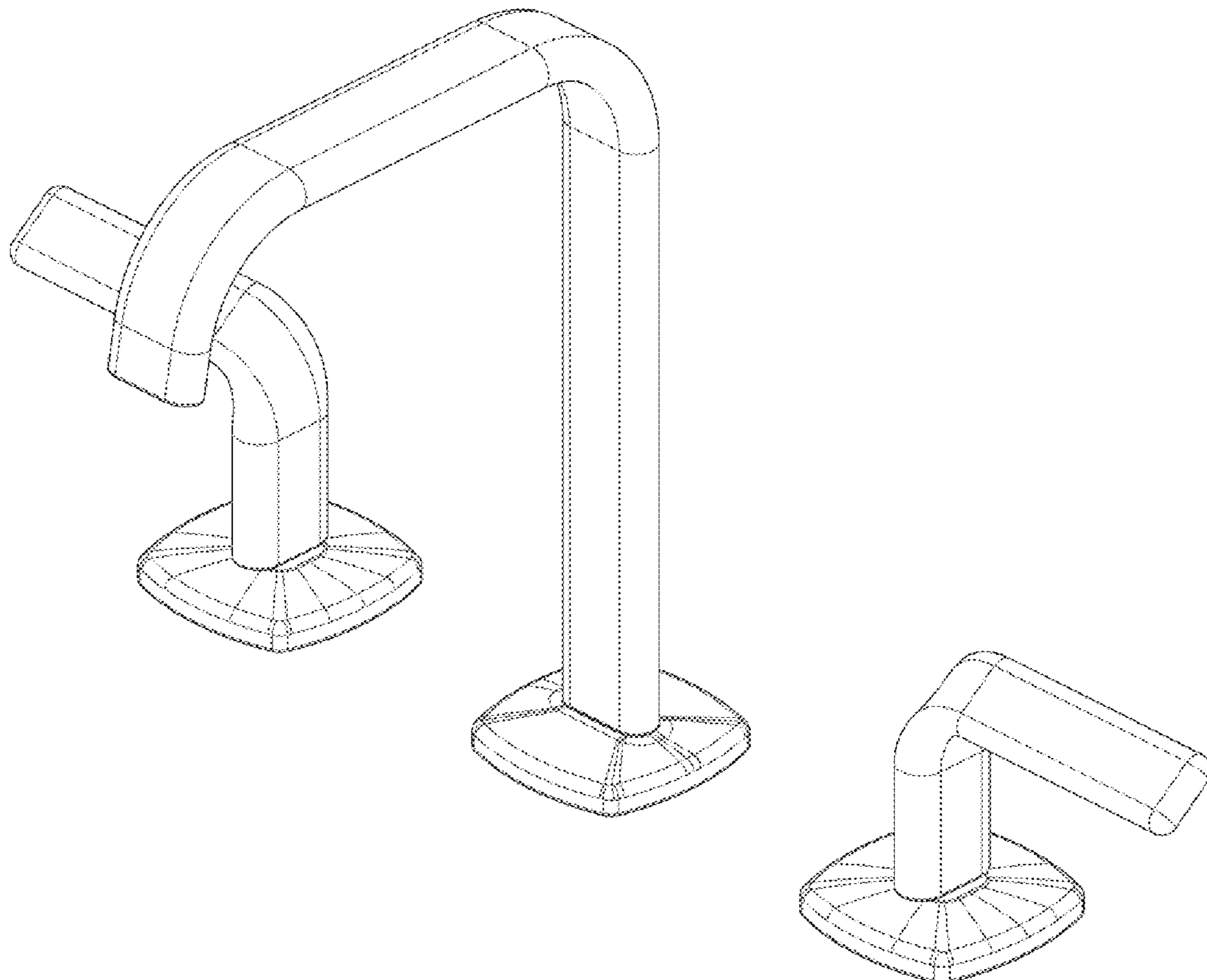
(57) **CLAIM**

The ornamental design for a faucet, as shown and described.

DESCRIPTION

FIG. 1 is a front perspective view of a faucet showing my
new design;
FIG. 2 is a rear perspective view thereof;
FIG. 3 is a front elevational view thereof;
FIG. 4 is a left side view thereof;
FIG. 5 is a rear view thereof;
FIG. 6 is a right side view thereof;
FIG. 7 is a top plan view thereof; and,
FIG. 8 is a bottom view thereof.

1 Claim, 4 Drawing Sheets



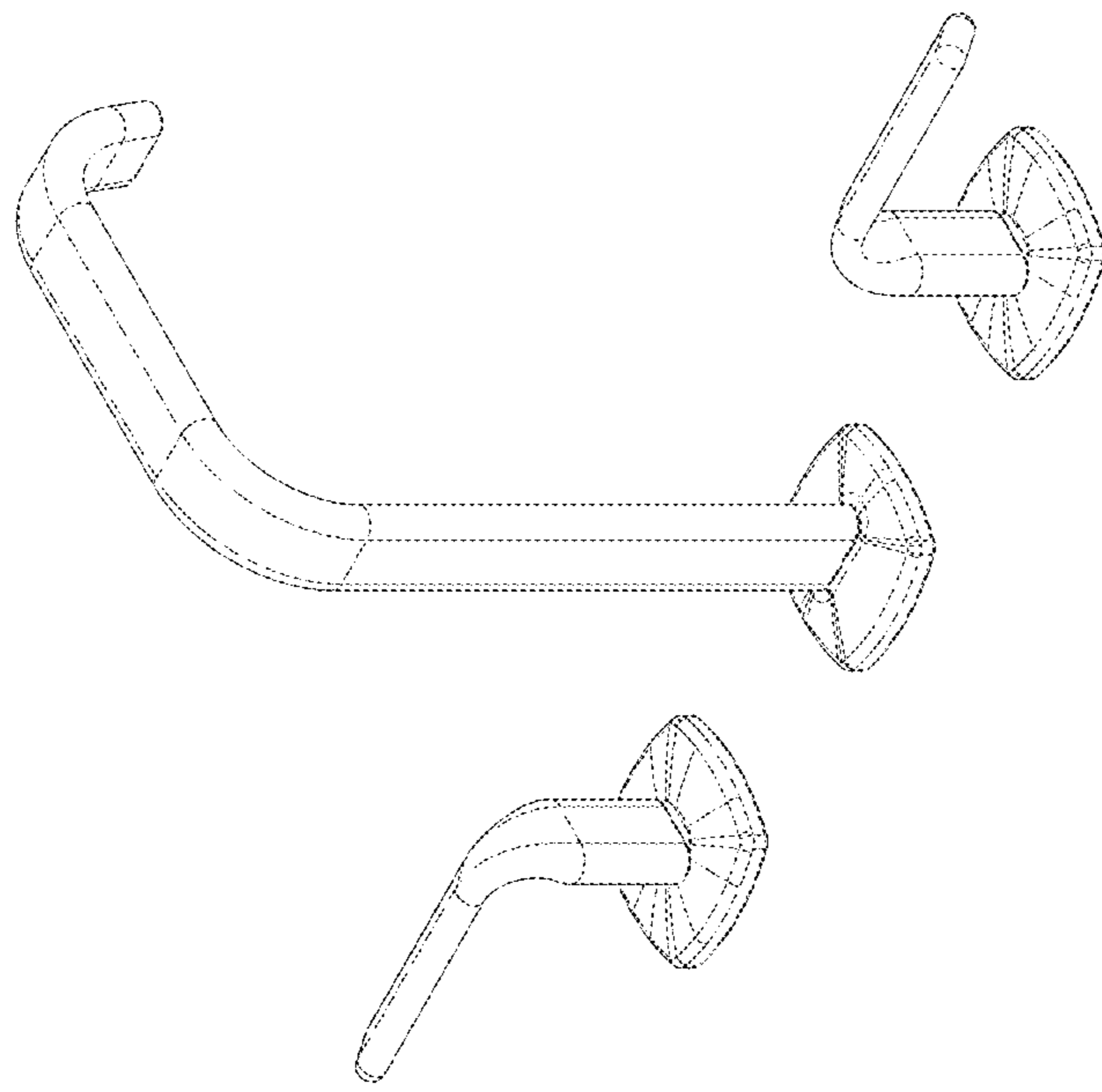


FIG - 2

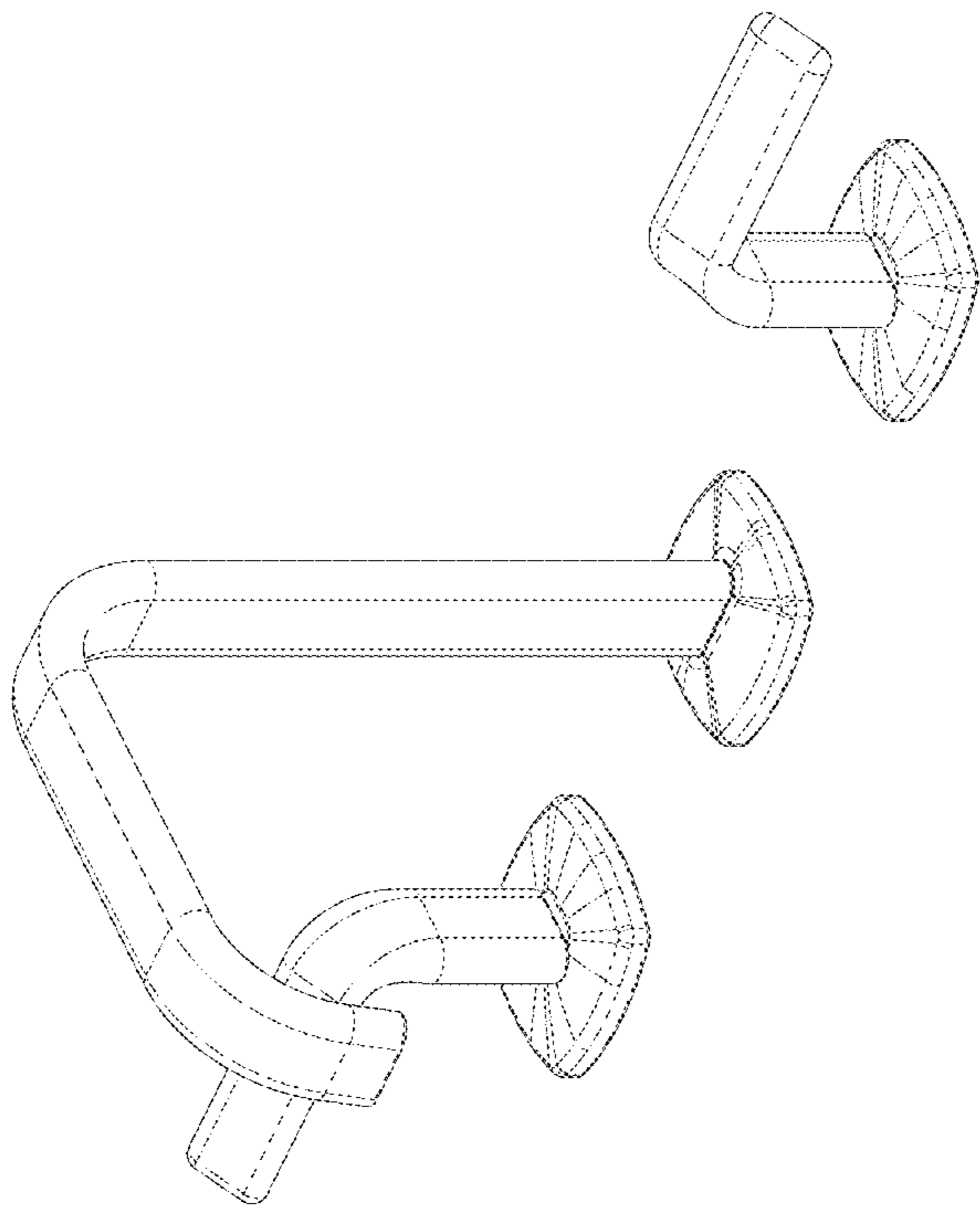


FIG - 1

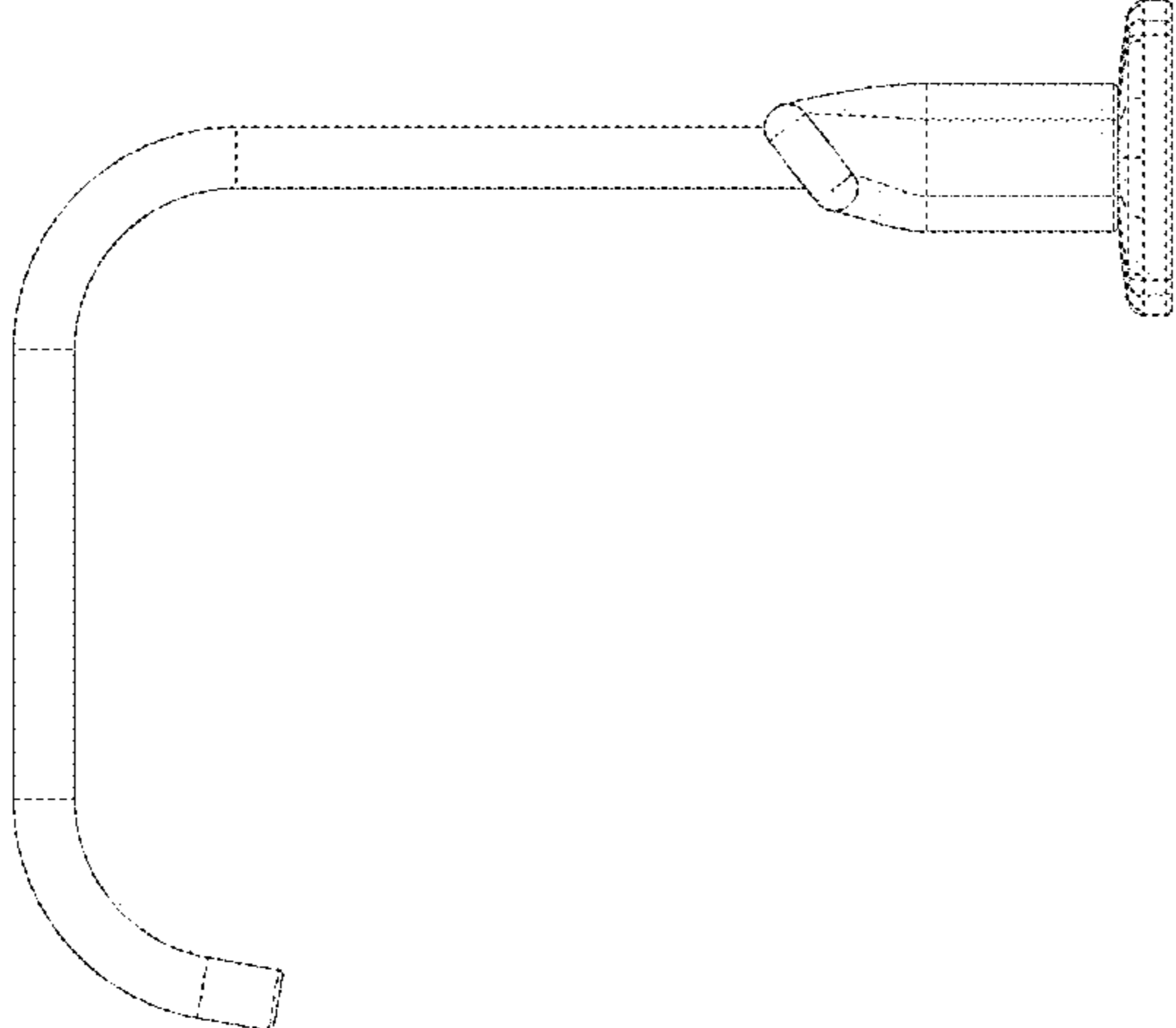


FIG - 4

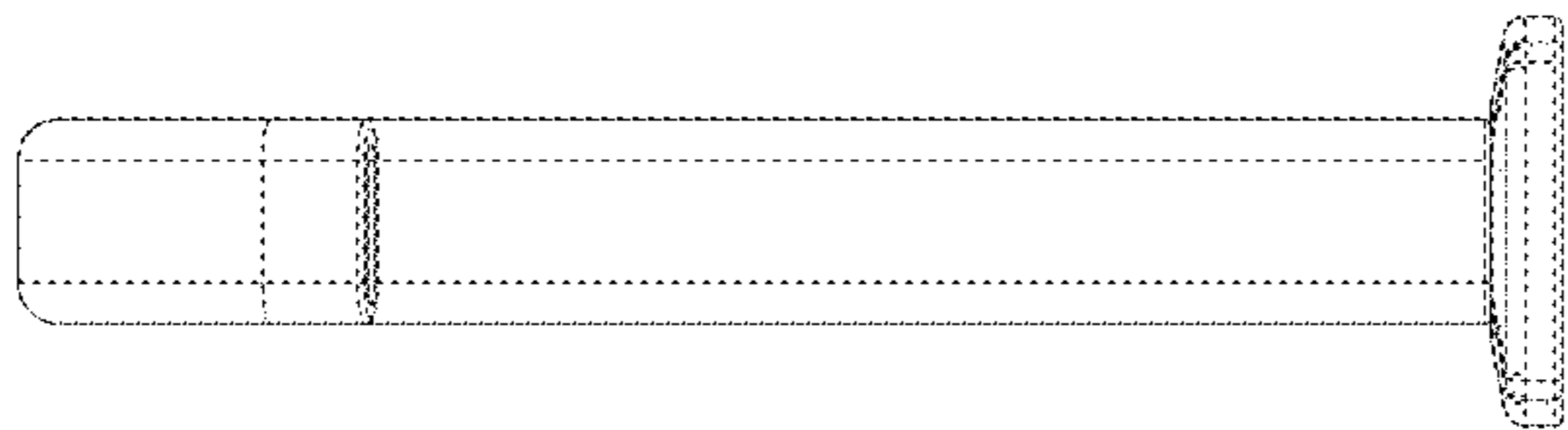
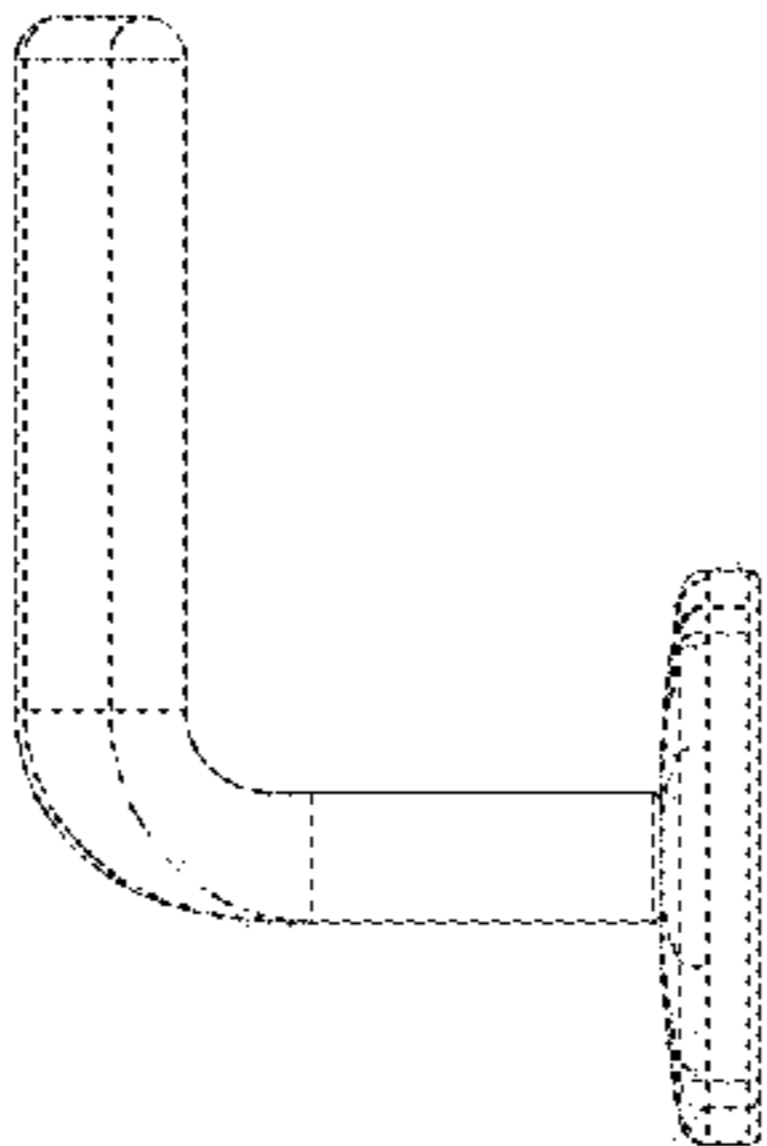
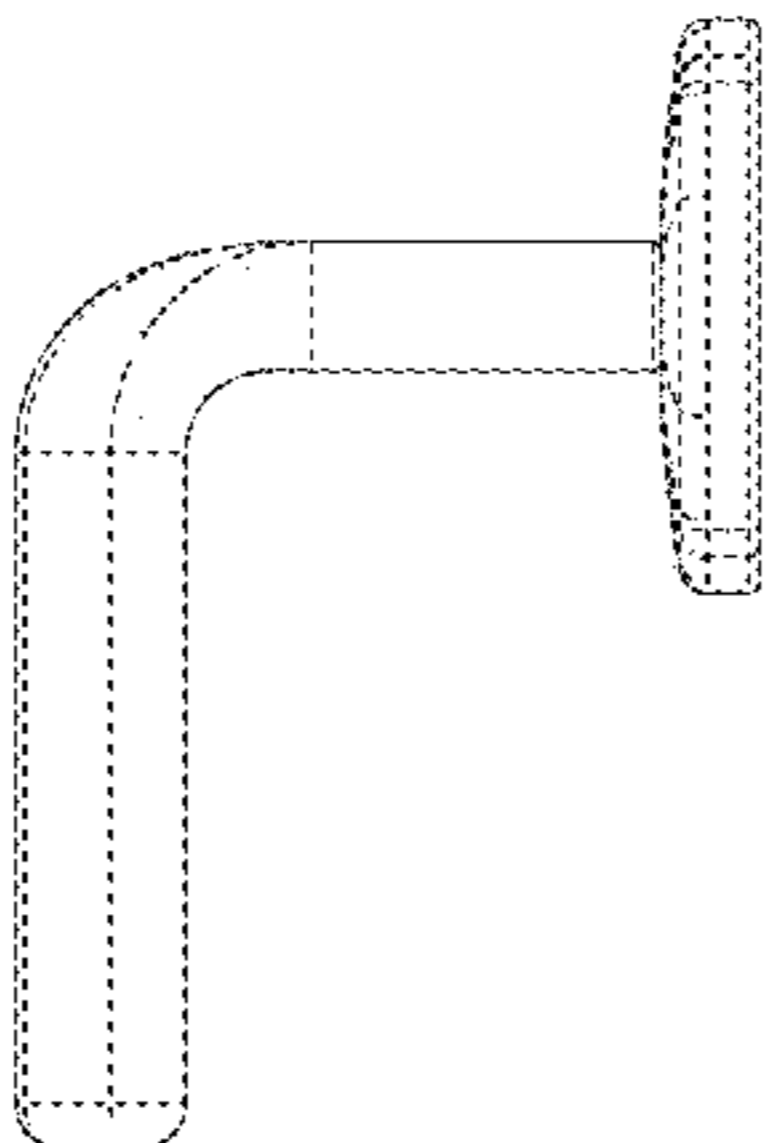


FIG - 3



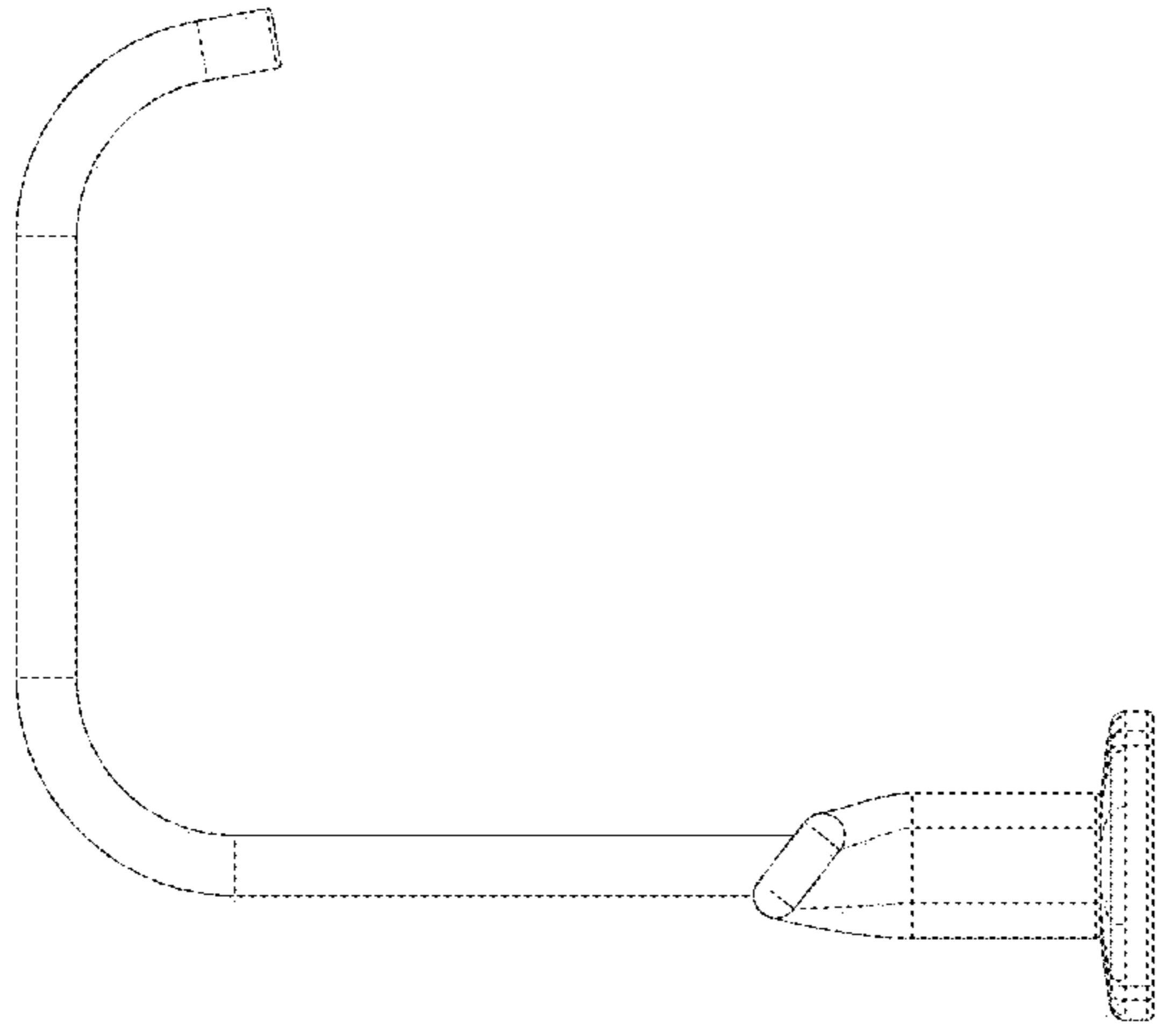


FIG - 6

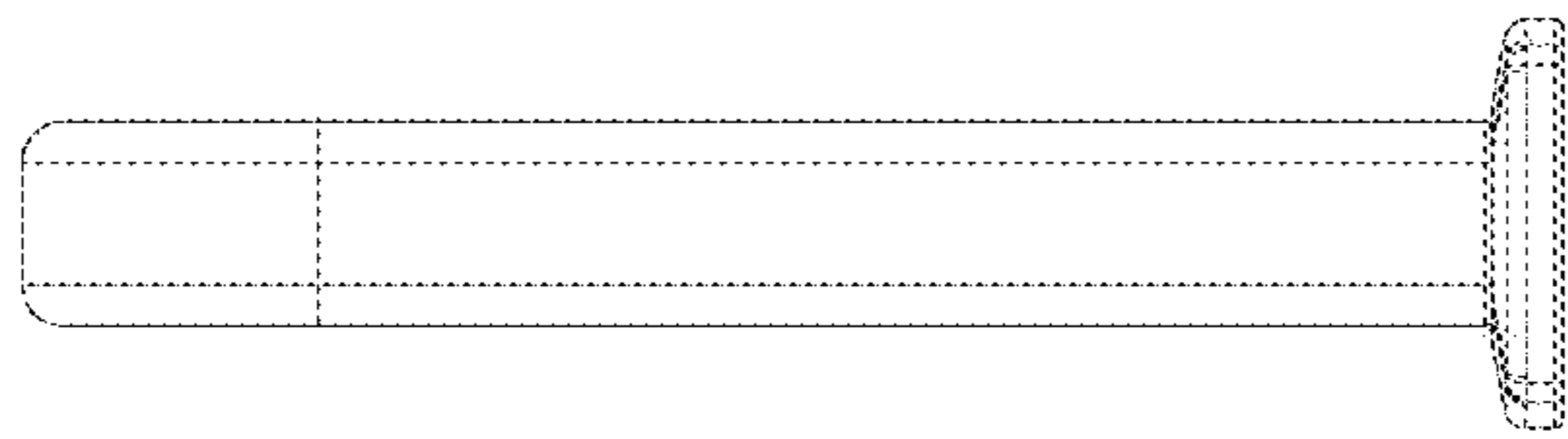
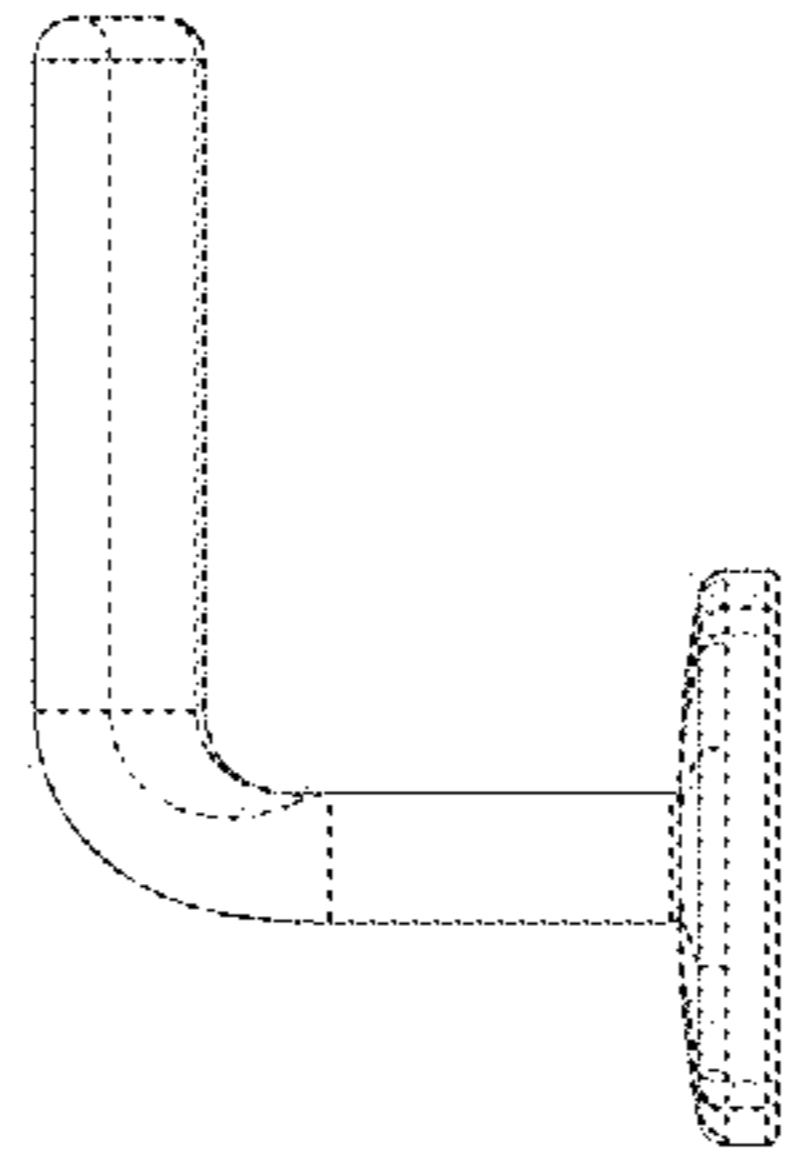
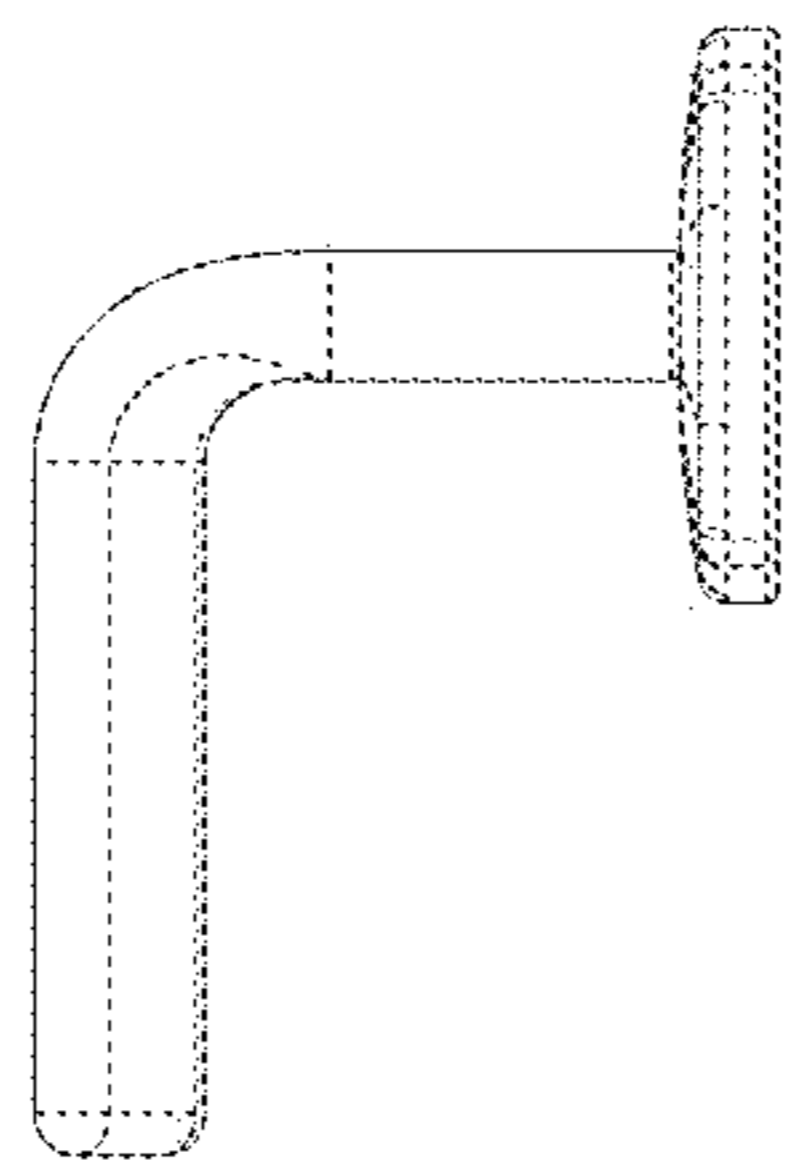


FIG - 5



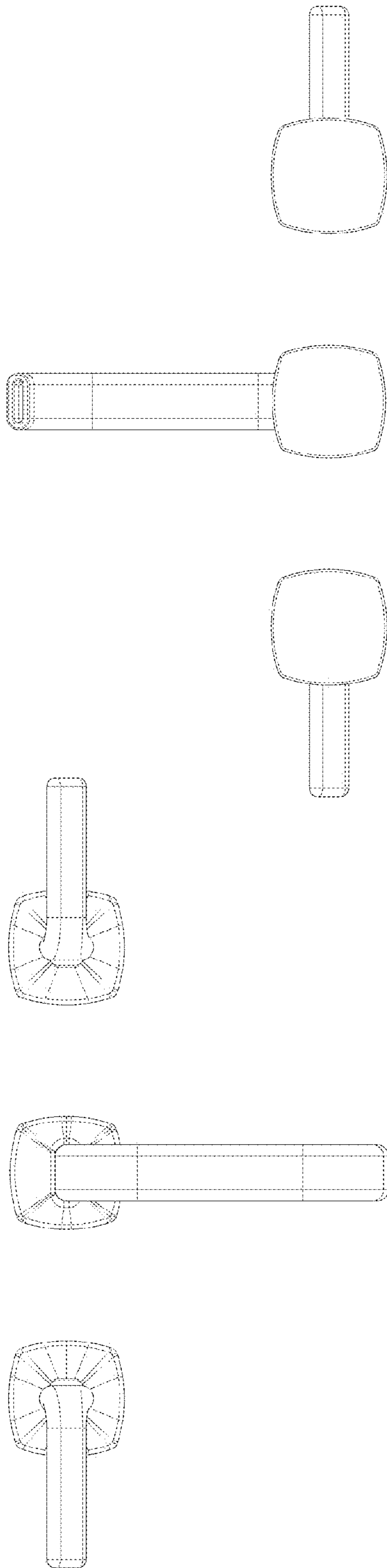


FIG - 8

FIG - 7