



US00D946121S

(12) **United States Design Patent**  
**Park**

(10) **Patent No.:** **US D946,121 S**

(45) **Date of Patent:** **\*\* Mar. 15, 2022**

(54) **FAUCET**

(71) Applicant: **DELTA FAUCET COMPANY,**  
Indianapolis, IN (US)

(72) Inventor: **Maris Park,** McCordsville, IN (US)

(73) Assignee: **DELTA FAUCET COMPANY,**  
Indianapolis, IN (US)

(\*\*) Term: **15 Years**

(21) Appl. No.: **29/738,121**

(22) Filed: **Jun. 15, 2020**

(51) **LOC (13) Cl.** ..... **23-01**

(52) **U.S. Cl.**  
USPC ..... **D23/242**

(58) **Field of Classification Search**  
USPC ..... D23/241–243, 252, 254–255, 257;  
D8/307–308, 300

See application file for complete search history.

(56) **References Cited**

**U.S. PATENT DOCUMENTS**

D529,586 S \* 10/2006 Kulig ..... D23/242  
D568,448 S \* 5/2008 Toyohara ..... D23/254

D580,527 S \* 11/2008 Zhang ..... D23/255  
D639,394 S \* 6/2011 Citterio ..... D23/238  
8,079,381 B2 \* 12/2011 Fischer ..... F16K 31/607  
137/359  
D665,878 S \* 8/2012 Flowers ..... D23/250  
D810,887 S \* 2/2018 Schoenherr ..... D23/254  
D889,609 S \* 7/2020 Takahashi ..... D23/255

\* cited by examiner

*Primary Examiner* — Robert A Delehanty

(74) *Attorney, Agent, or Firm* — Nirav D. Parikh; Edgar  
A. Zarins

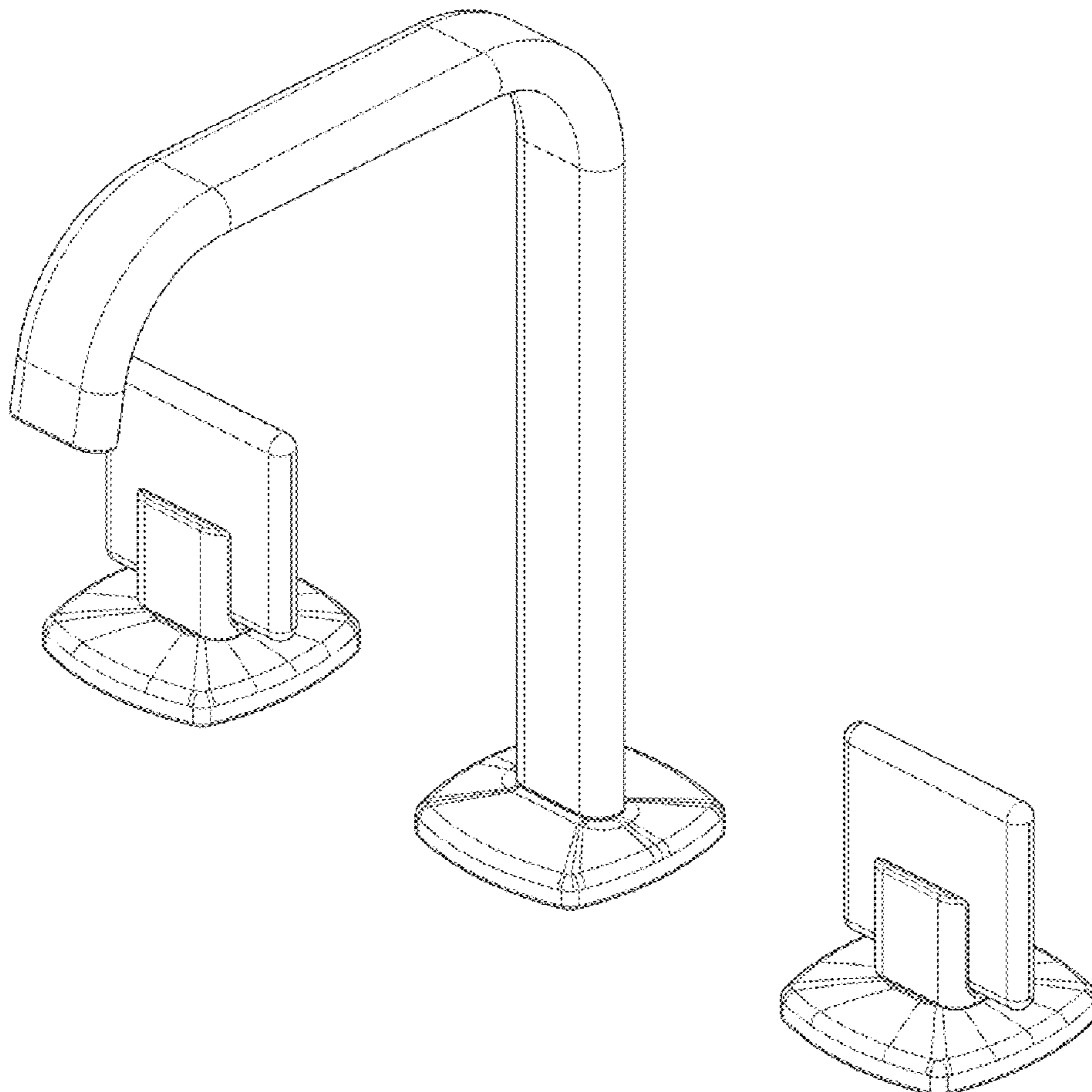
(57) **CLAIM**

The ornamental design for a faucet, as shown and described.

**DESCRIPTION**

FIG. 1 is a front perspective view of a faucet showing my  
new design;  
FIG. 2 is a rear perspective view thereof;  
FIG. 3 is a front elevational view thereof;  
FIG. 4 is a left side view thereof;  
FIG. 5 is a rear view thereof;  
FIG. 6 is a right side view thereof;  
FIG. 7 is a top plan view thereof; and,  
FIG. 8 is a bottom view thereof.

**1 Claim, 4 Drawing Sheets**



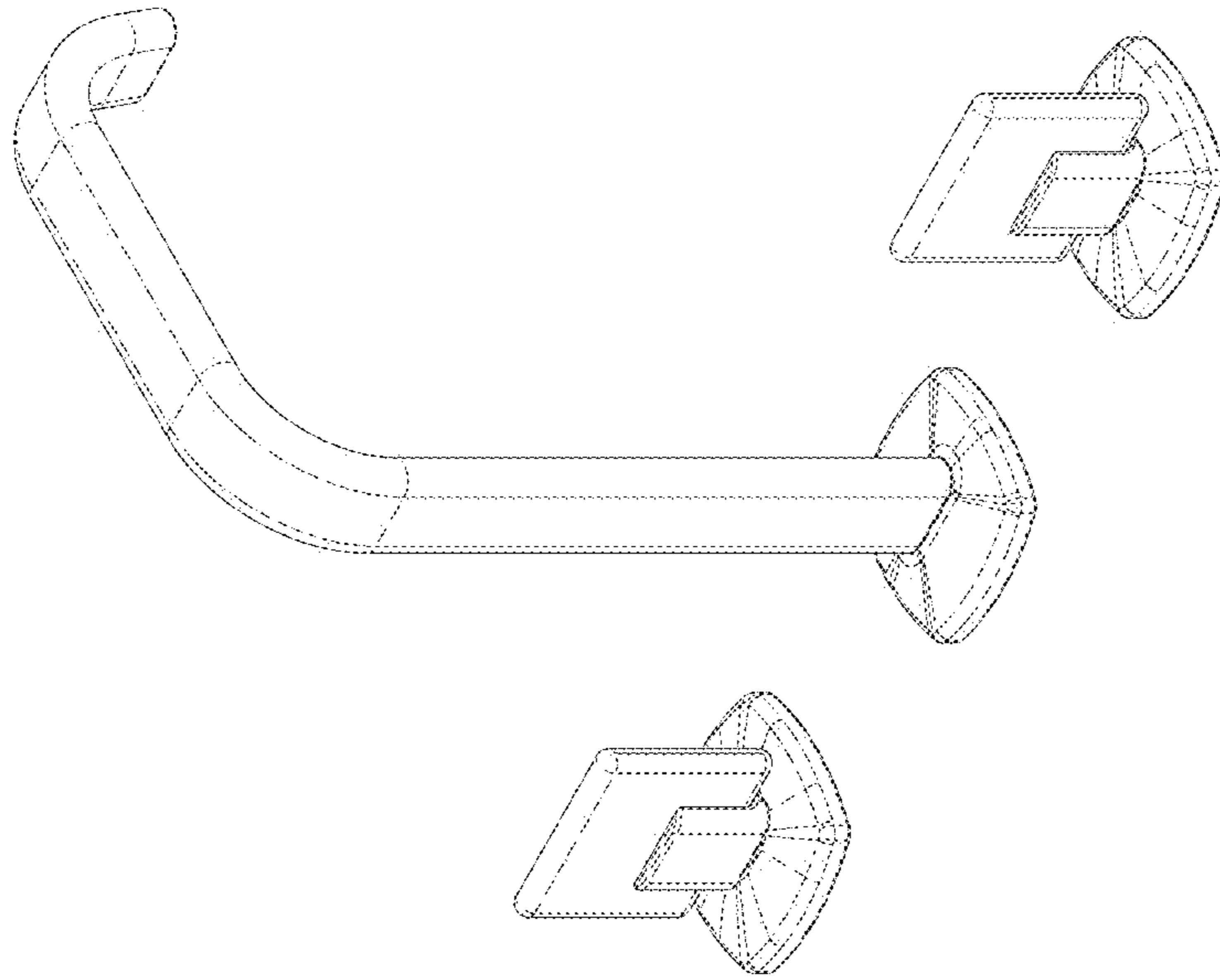


FIG - 2

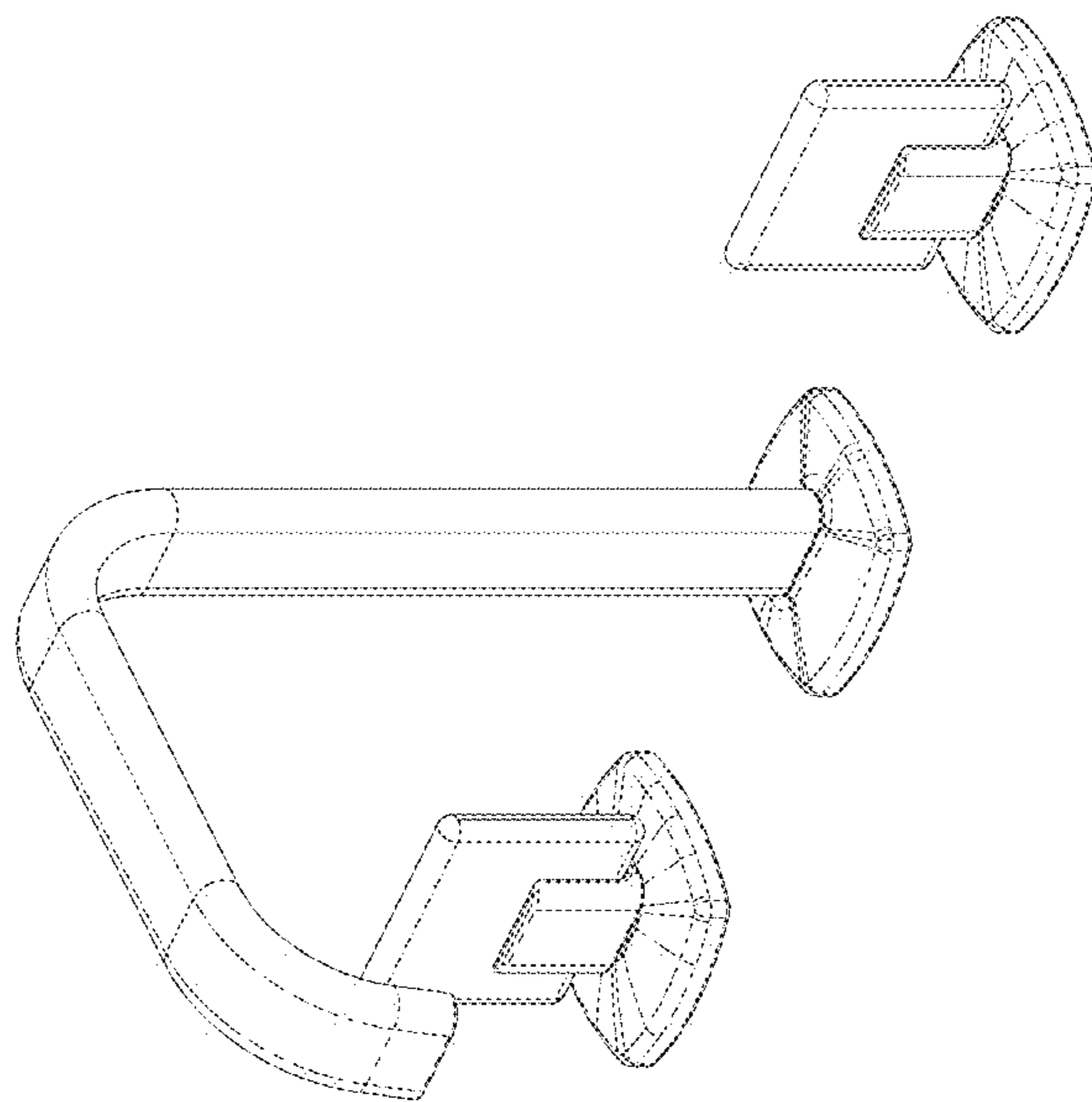


FIG - 1

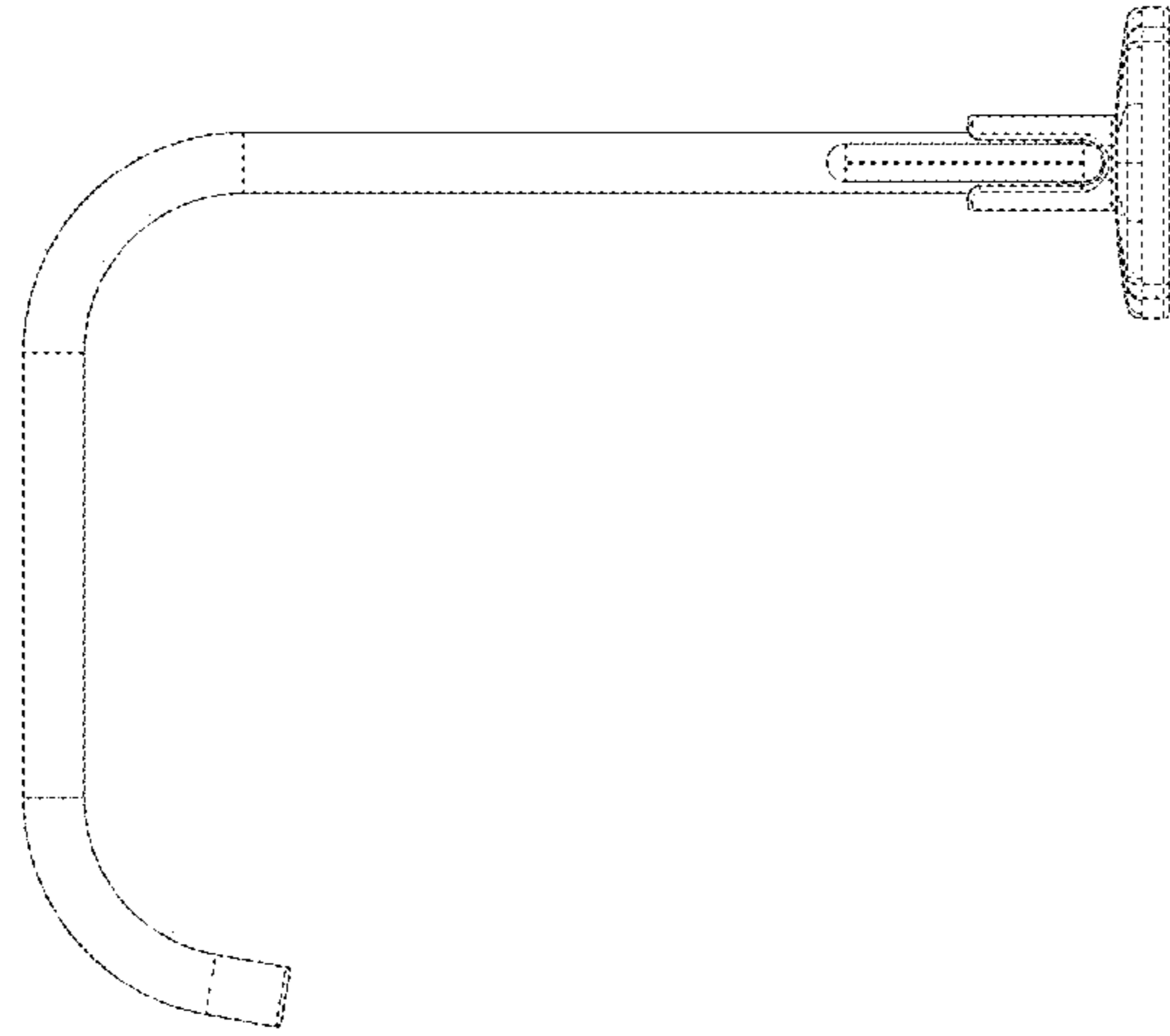


FIG - 4

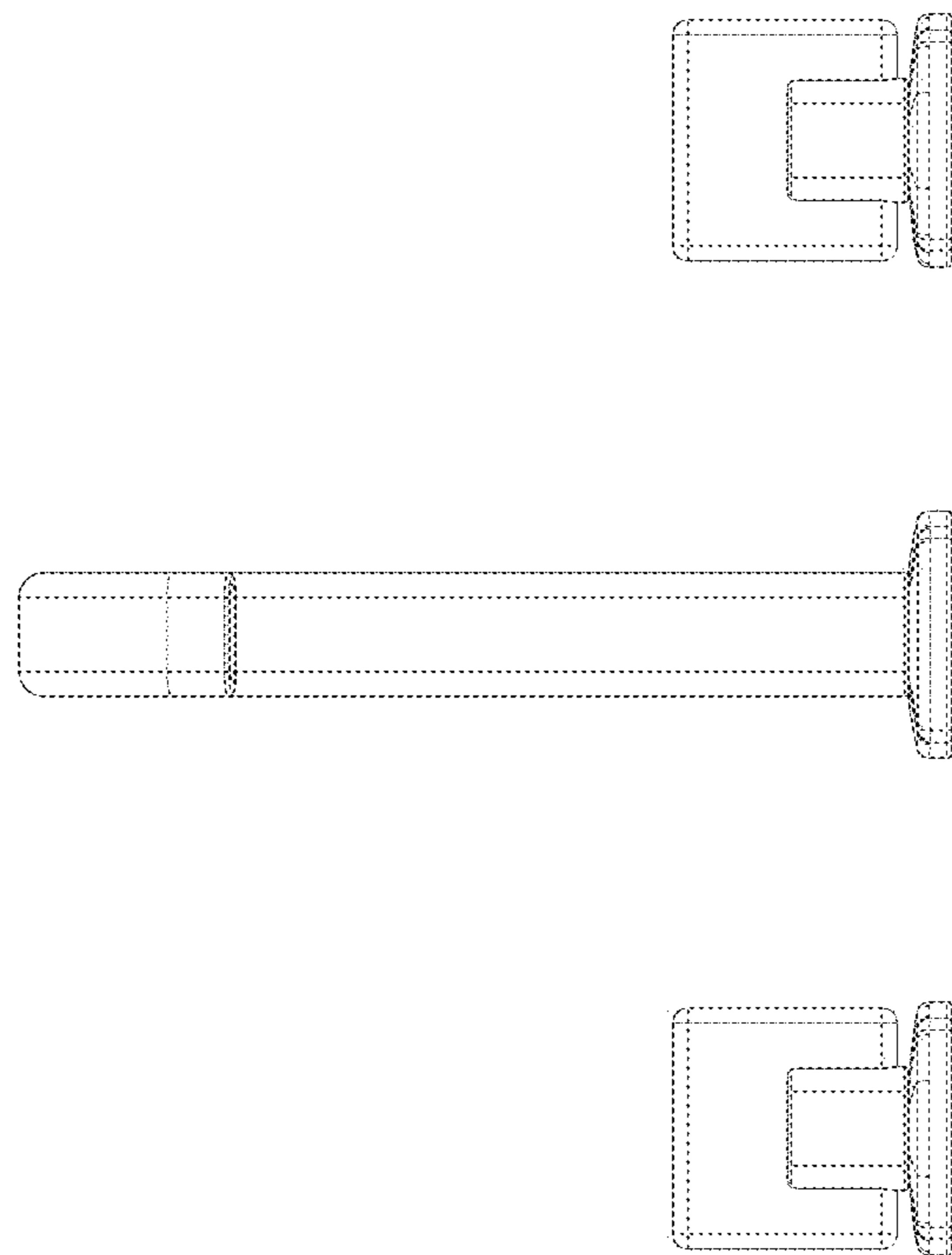


FIG - 3

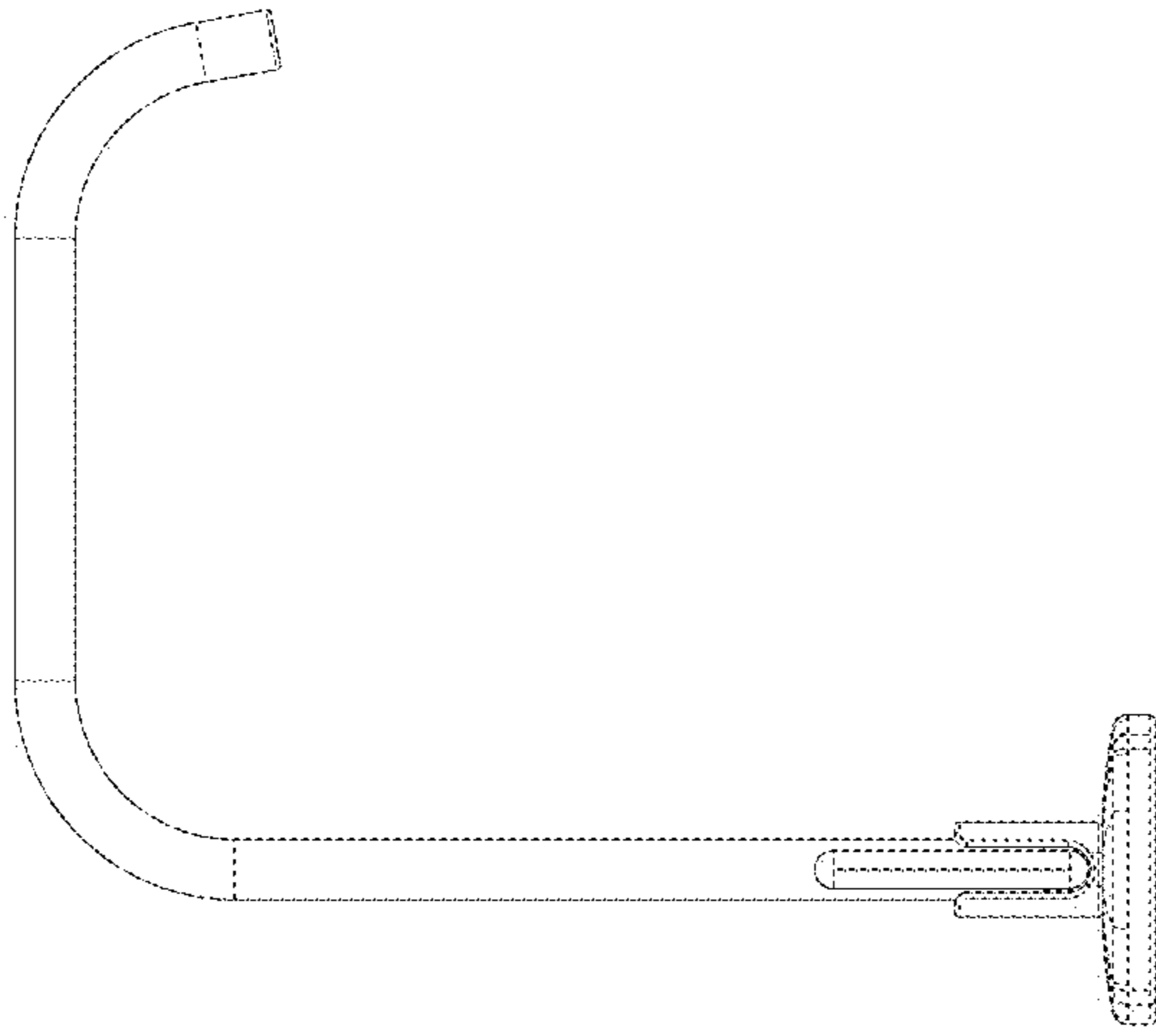


FIG - 6

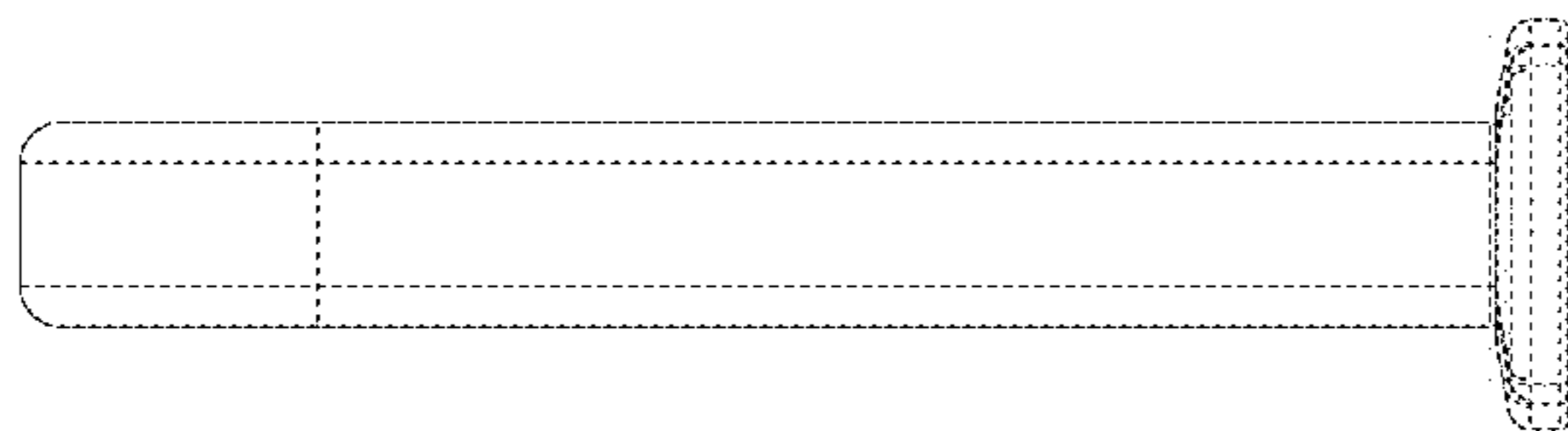
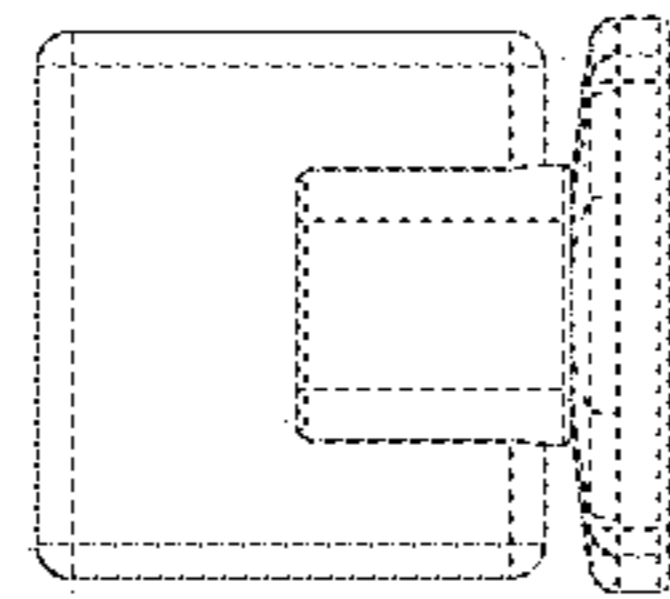
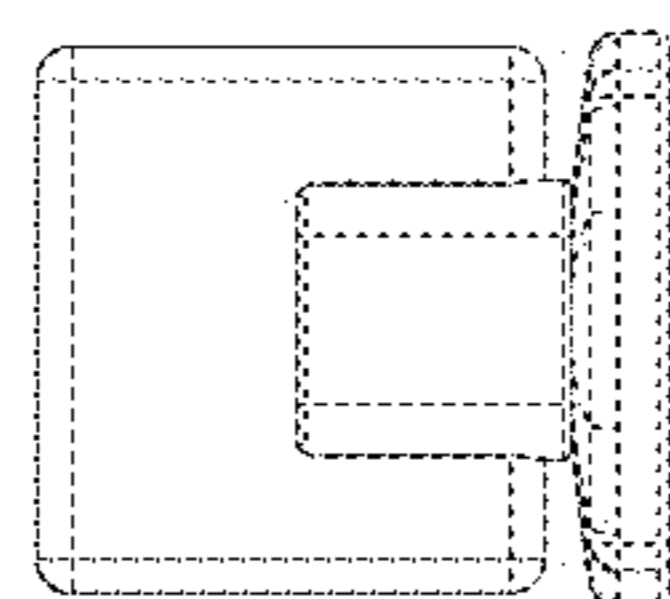


FIG - 5



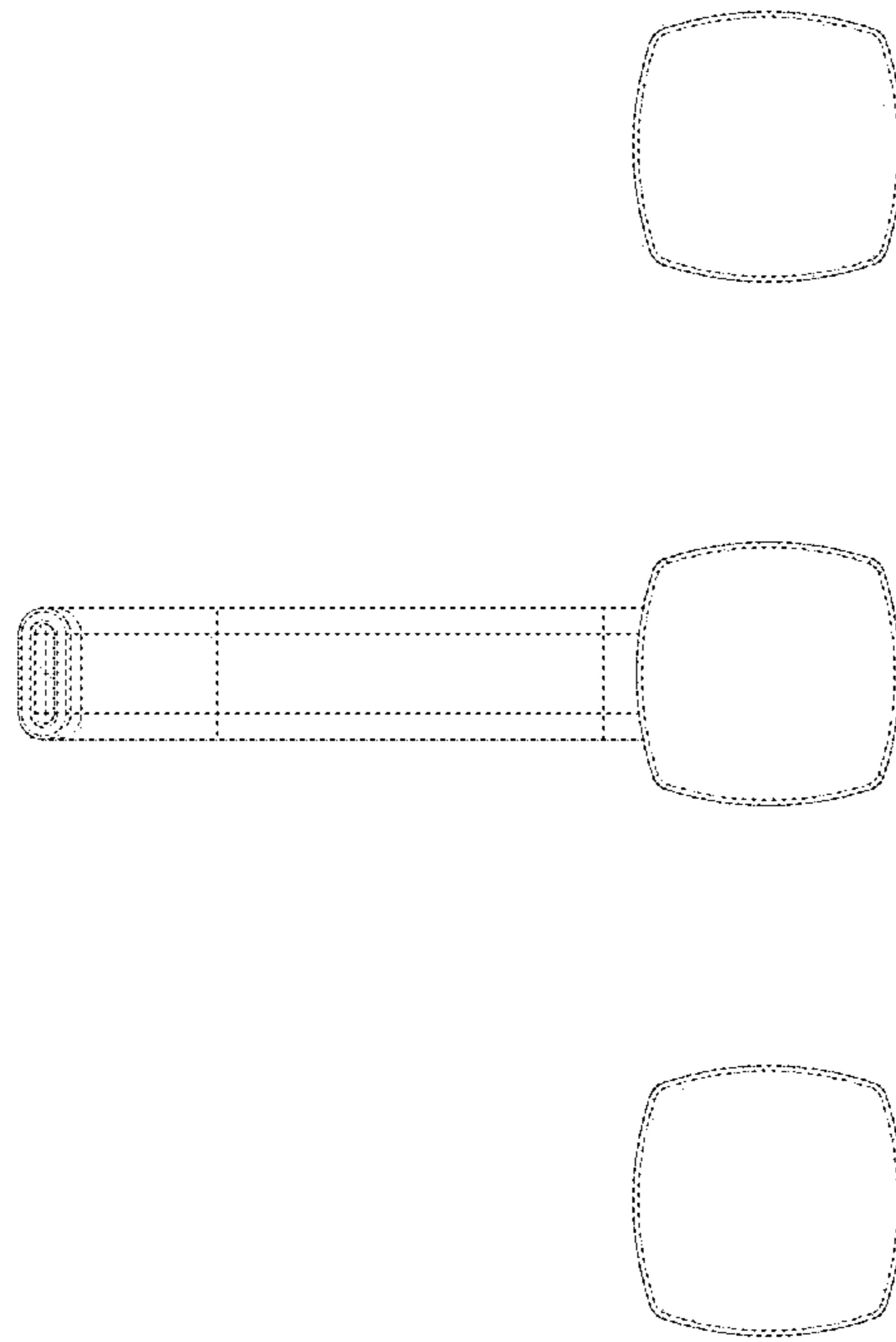


FIG - 8

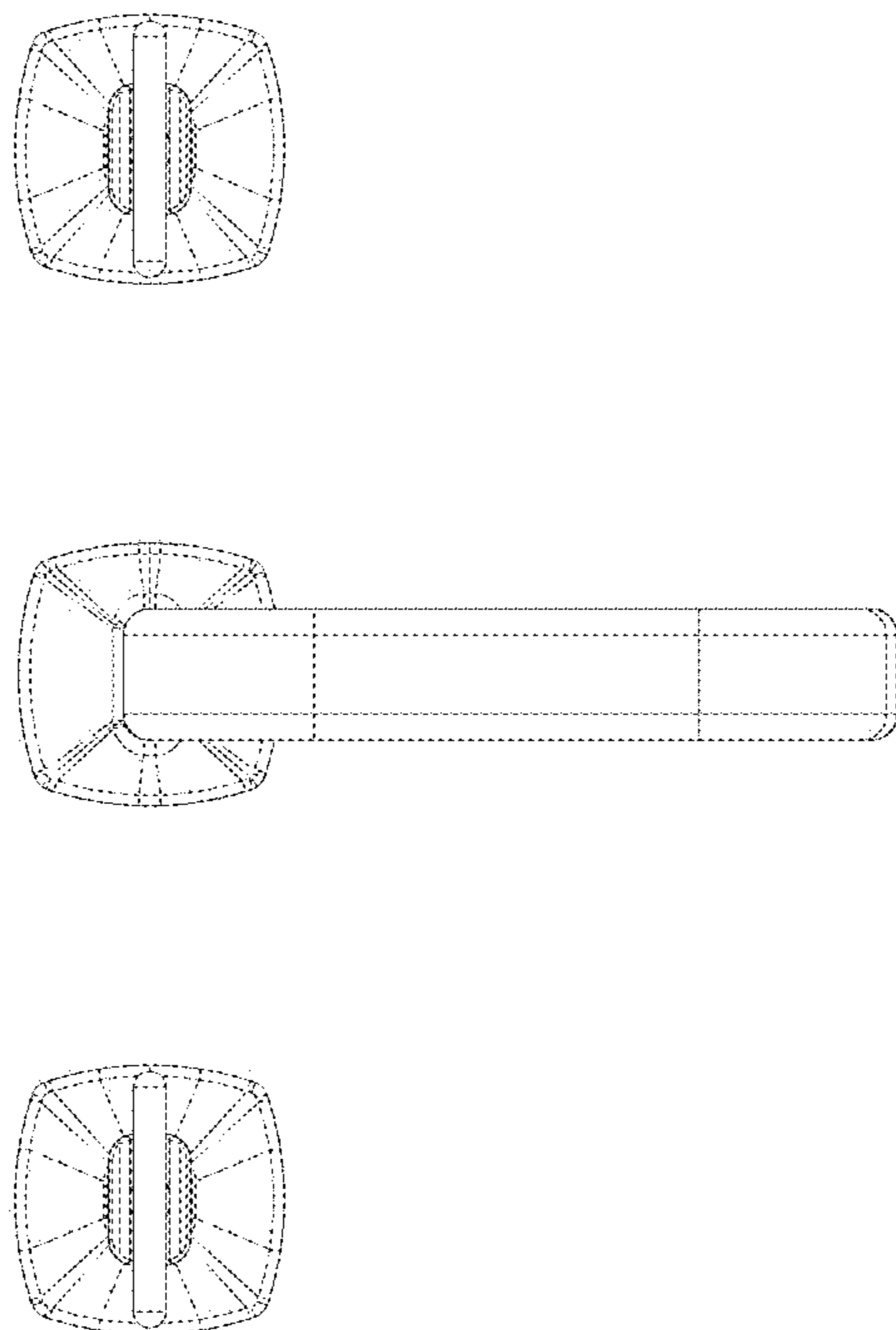


FIG - 7