



US00D946120S

(12) **United States Design Patent**
Zhang

(10) **Patent No.:** **US D946,120 S**

(45) **Date of Patent:** **** Mar. 15, 2022**

(54) **FAUCET**

(71) Applicant: **WENZHOU BORUI ELECTRONIC
COMMERCE CO., LTD.**, Wenzhou
(CN)

(72) Inventor: **Hua Zhang**, Chongqing (CN)

(73) Assignee: **WENZHOU BORUI ELECTRONIC
COMMERCE CO., LTD.**, Wenzhou
(CN)

(**) Term: **15 Years**

(21) Appl. No.: **29/783,187**

(22) Filed: **May 11, 2021**

(51) **LOC (13) Cl.** **23-01**

(52) **U.S. Cl.**
USPC **D23/238**

(58) **Field of Classification Search**
USPC D23/257, 249, 233, 238, 239, 240, 241,
D23/242, 243, 250, 251, 252, 253, 254,
D23/255, 259
CPC E03C 1/01; E03C 1/0409; E03C 1/025;
E03C 1/0408; E03C 1/04; E03C 1/0401;
E03C 1/0402; E03C 1/0405; E03C
1/0412; Y10T 137/5339; Y10T 137/6014;
Y10T 137/6021

See application file for complete search history.

(56) **References Cited**

U.S. PATENT DOCUMENTS

D46,024 S	*	6/1914	Hoffman	D23/238
D304,225 S	*	10/1989	Lathrop	D23/257
D324,415 S	*	3/1992	Kohler, Jr.	D8/320
D347,265 S	*	5/1994	Gottwald	D23/239
D358,867 S	*	5/1995	Haug	D23/238
D577,793 S	*	9/2008	Leber	D23/213
D663,803 S	*	7/2012	Tang	D23/238
D757,912 S	*	5/2016	Eads	D23/255

D820,404 S	*	6/2018	Wieser	D23/239
D820,408 S	*	6/2018	Murray	D23/240
D821,845 S	*	7/2018	Garland	D8/316
D828,514 S	*	9/2018	Ryu	D23/238
D839,389 S	*	1/2019	Wieser	D23/240
D845,444 S	*	4/2019	Eads	D23/255
D846,082 S	*	4/2019	Eads	D23/255
D855,156 S	*	7/2019	Stuart	
D855,779 S	*	8/2019	McKeone	D23/255
D862,653 S	*	10/2019	Wieser	D23/240

(Continued)

FOREIGN PATENT DOCUMENTS

CN	201230512726	*	10/2012
CN	201930107274.4	*	3/2019

OTHER PUBLICATIONS

Youtube, Philo—design by Gianluca Belli—Phi Cubo, posted Nov. 4, 2013, [online], [visited Jan. 25, 2022]. Internet, <URL: <https://www.youtube.com/watch?v=an9jHWw1cxQ&t=1>> (Year: 2013).*

(Continued)

Primary Examiner — Samantha Wood

(57) **CLAIM**

The ornamental design for a faucet, as shown and described.

DESCRIPTION

FIG. 1 is a perspective view of a faucet showing my new design;

FIG. 2 is another perspective view thereof;

FIG. 3 is a front elevational view thereof;

FIG. 4 is a rear elevational view thereof;

FIG. 5 is a left side elevational view thereof;

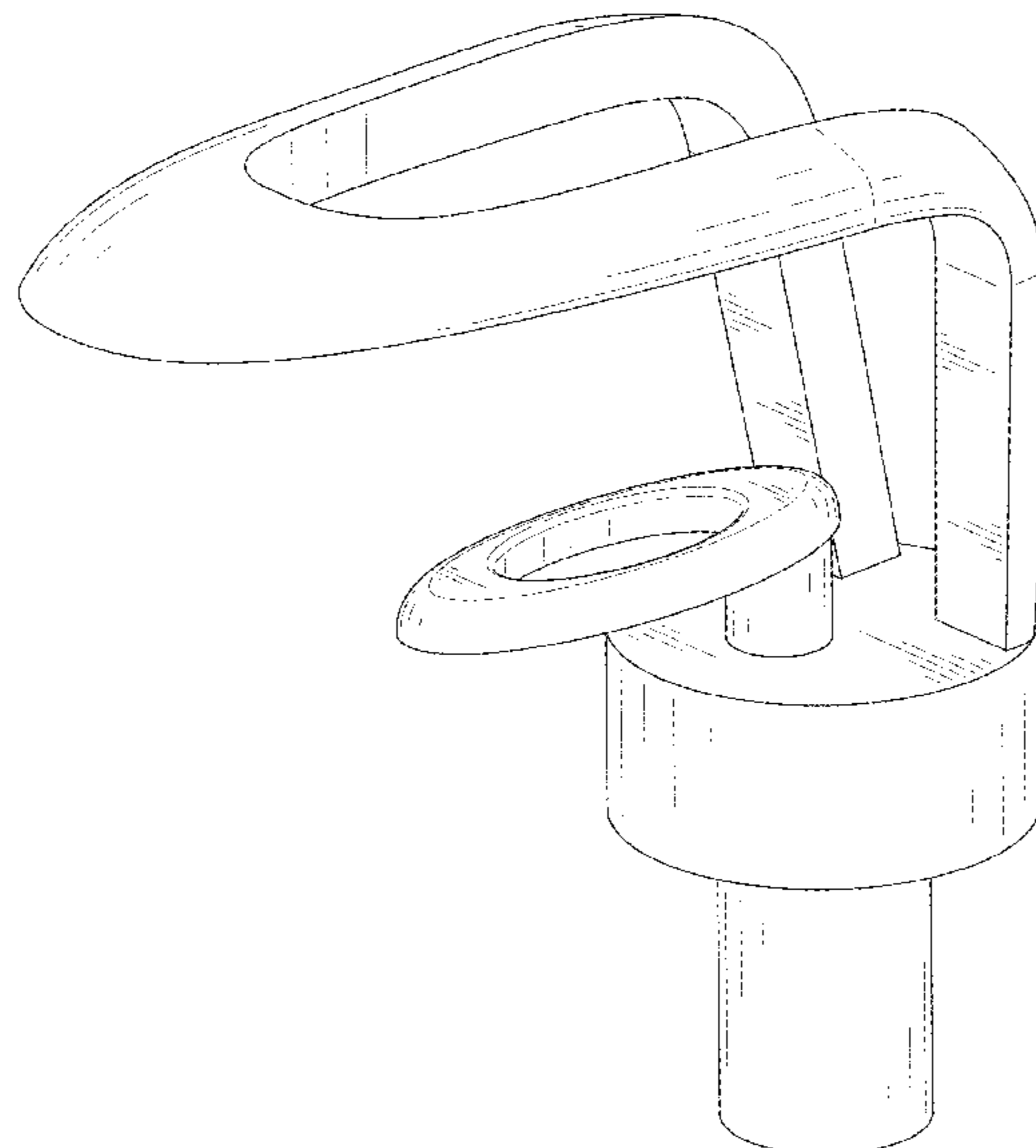
FIG. 6 is a right side elevational view thereof;

FIG. 7 is a top plan view thereof; and,

FIG. 8 is a bottom plan view thereof.

The broken lines in the drawings depict portions of the faucet that form no part of the claimed design.

1 Claim, 8 Drawing Sheets



(56)

References Cited

U.S. PATENT DOCUMENTS

D877,296 S 3/2020 Tentler
D882,736 S * 4/2020 Eads D23/252
D913,448 S * 3/2021 Wieser D23/240

OTHER PUBLICATIONS

Amazon, Jiuzhuo Contemporary Creative Mono 1-Handle Bathroom Basin, posted Jan. 6, 2021, [online], [visited Jan. 28, 2022]. Internet, <URL: <https://www.amazon.co.uk/dp/B08S74N5RZ/ref>> (Year: 2021).*

The Home Depot, Dimakai Widespread 2-Handles Bathroom faucet in matte black, [online], [visited Jan. 28, 2022]. Internet, <URL: <https://www.homedepot.com/p/Dimakai-8-in-Widespread-2-Handles-Bathroom-Faucet-in-Matte-Black-1-Pack-DK-9030-MB/315537685>> (Year: 2022).*

Amazon, U-Enjoy G0000D-Faucet Bathroom Sink Faucet, posted May 18, 2020, [online], [visited Jan. 28, 2022]. Internet, <URL: <https://www.amazon.co.uk/G0000D-Faucet-Bathroom-Graphic-Quality-Shipping/dp/B08BKFS72R/ref>> (Year: 2021).*

* cited by examiner

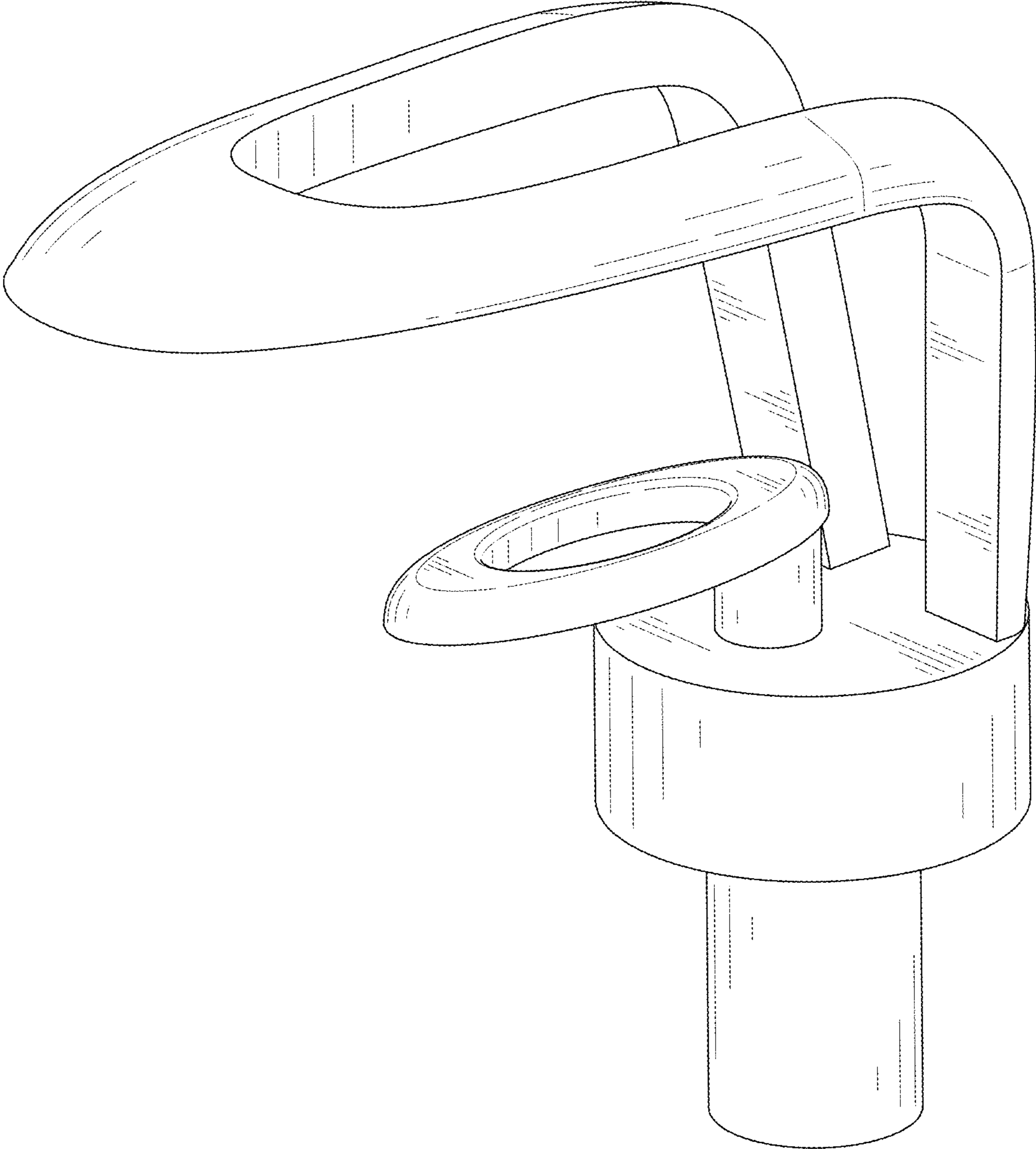


FIG. 1

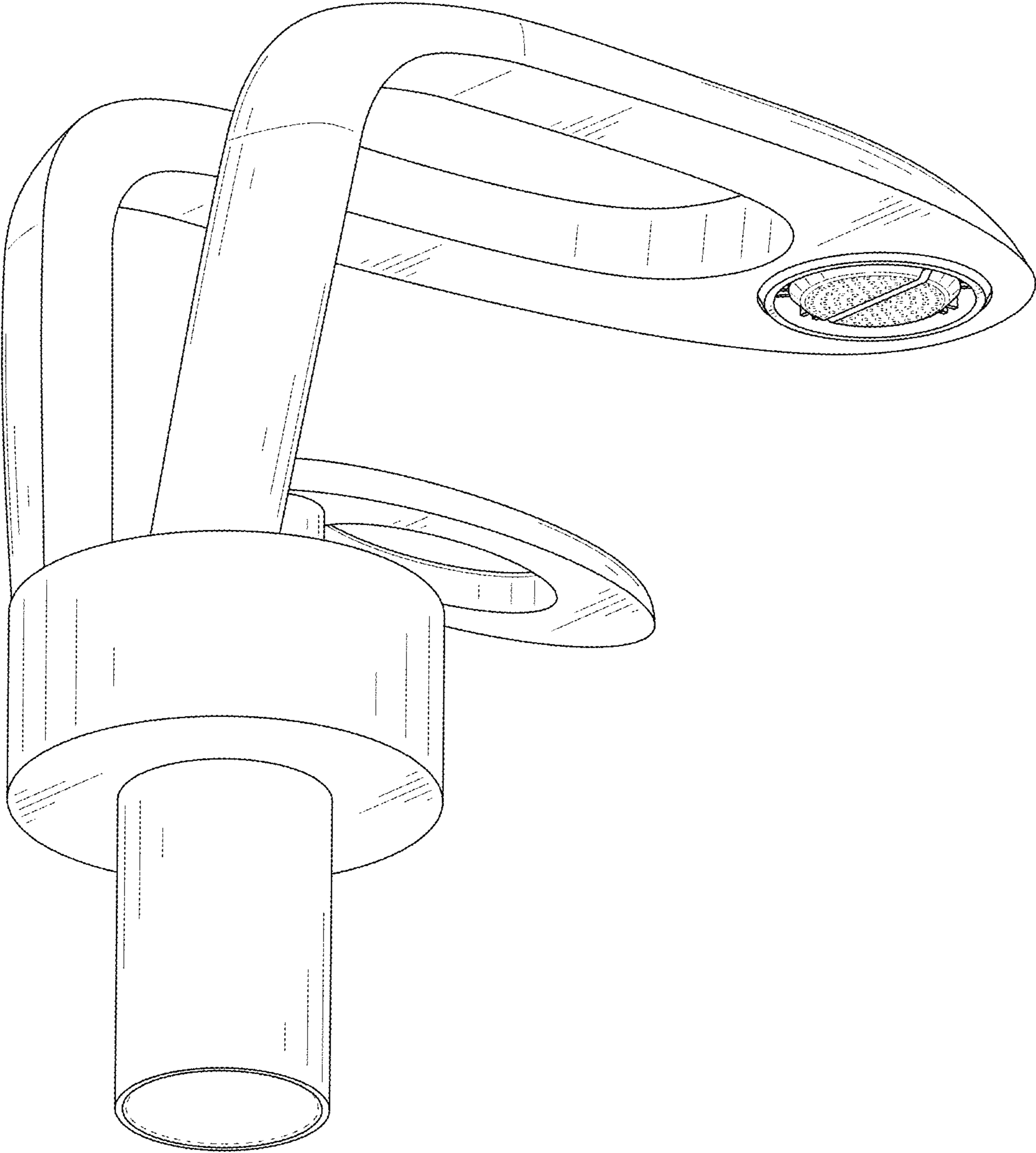


FIG. 2

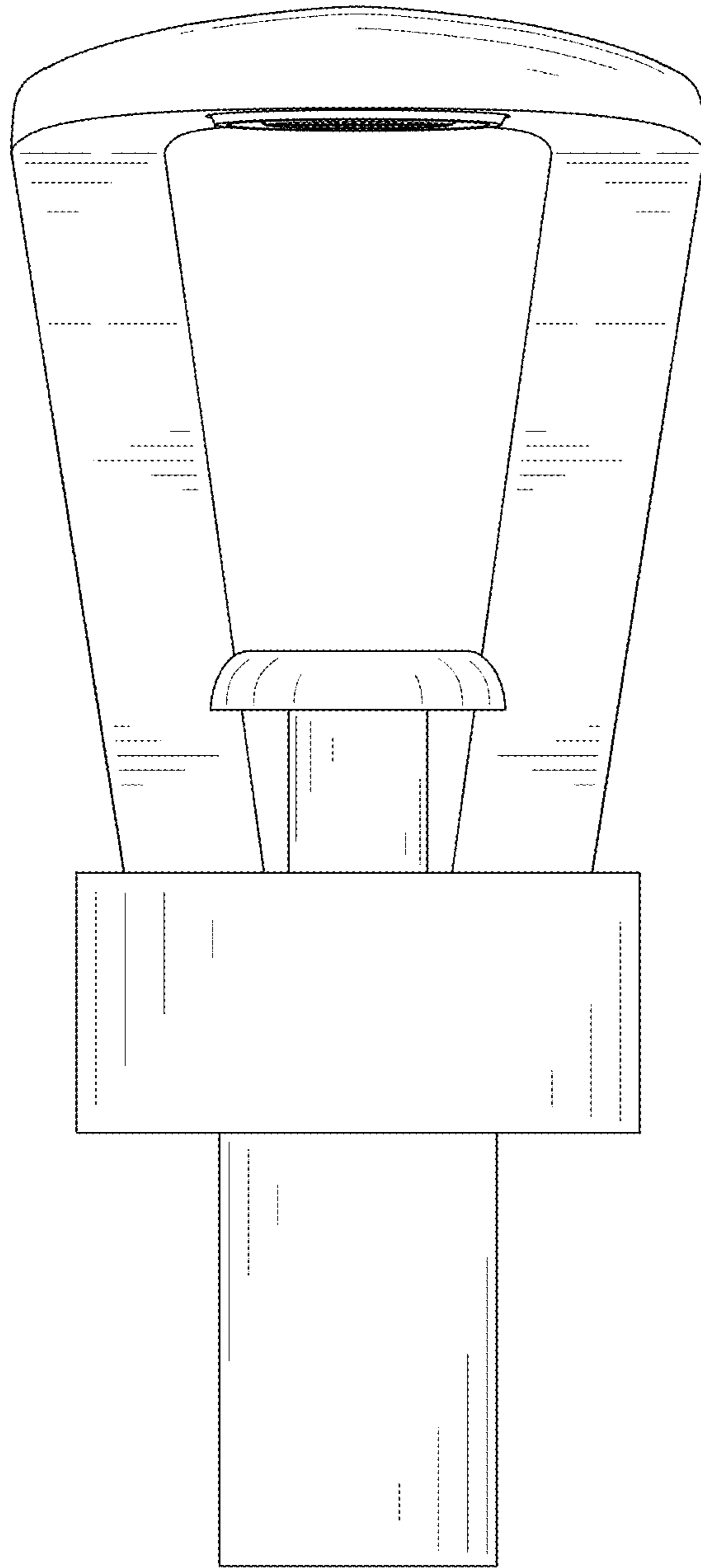


FIG. 3

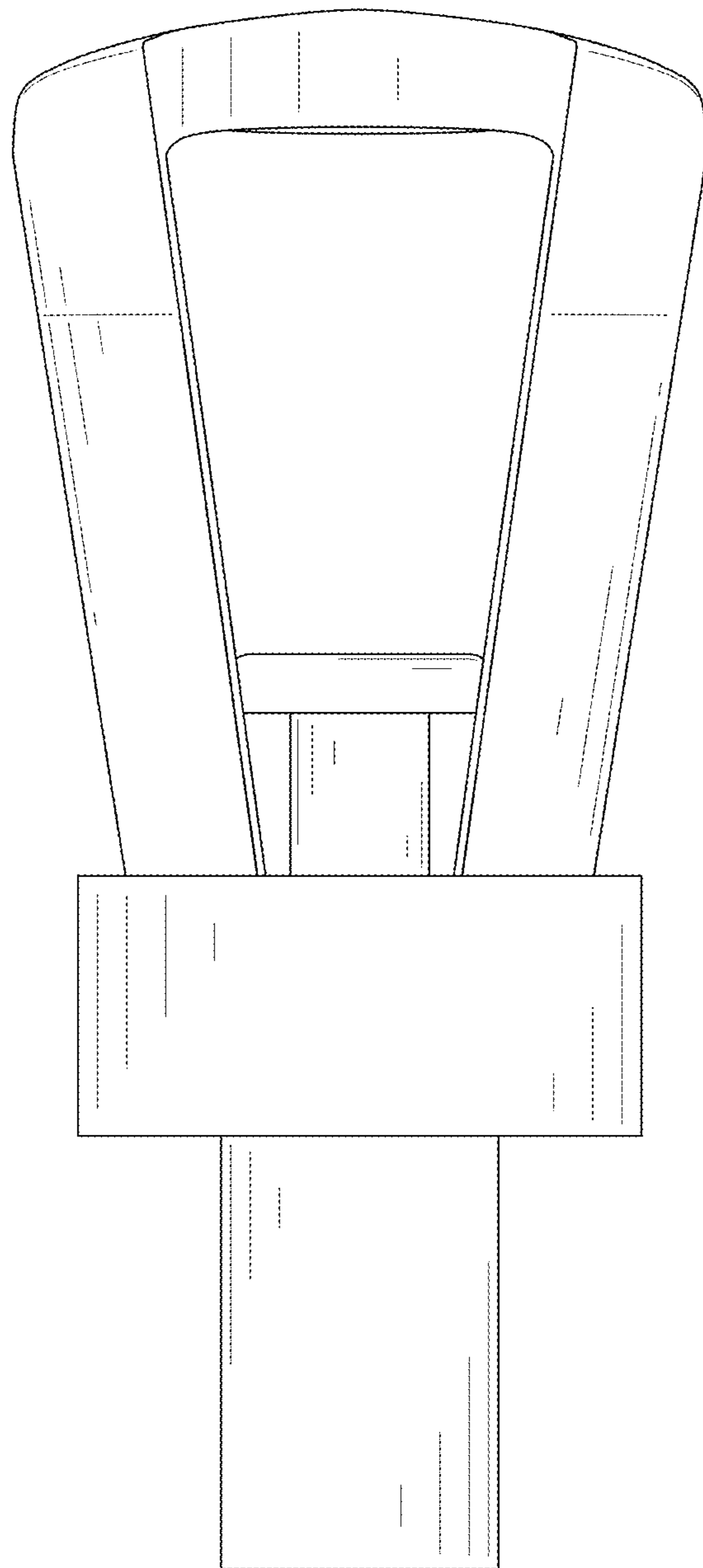


FIG. 4

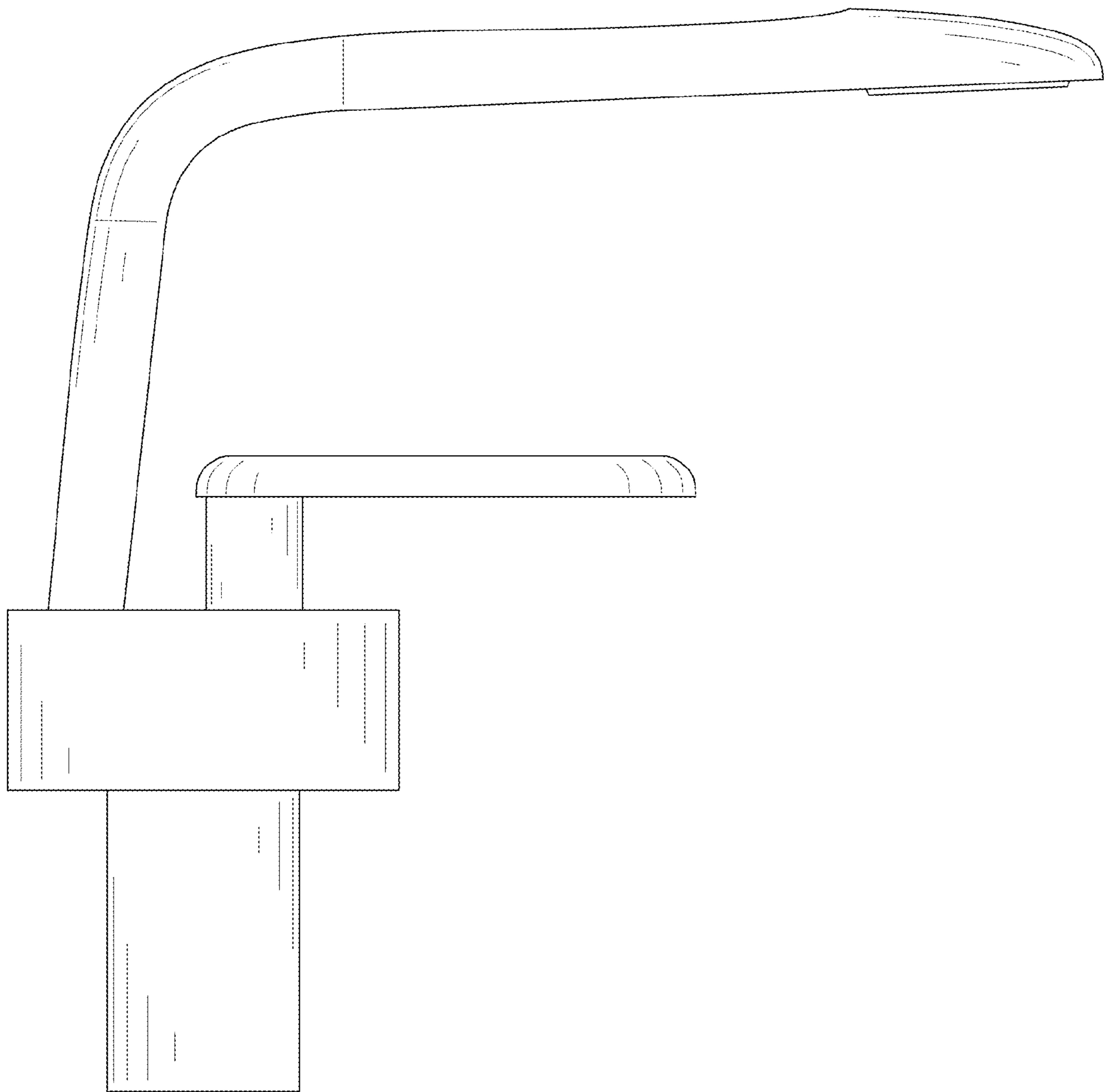


FIG. 5

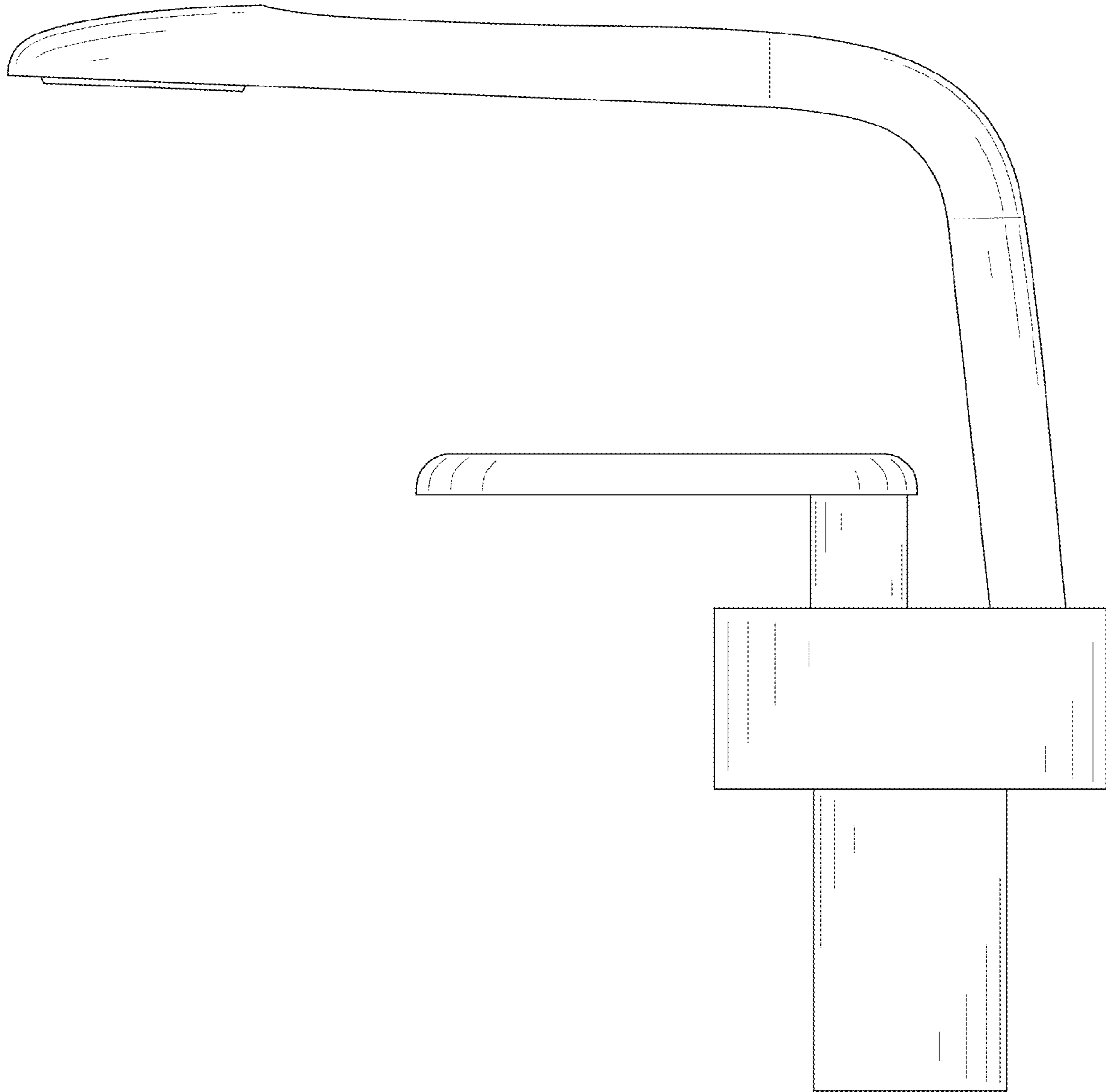


FIG. 6

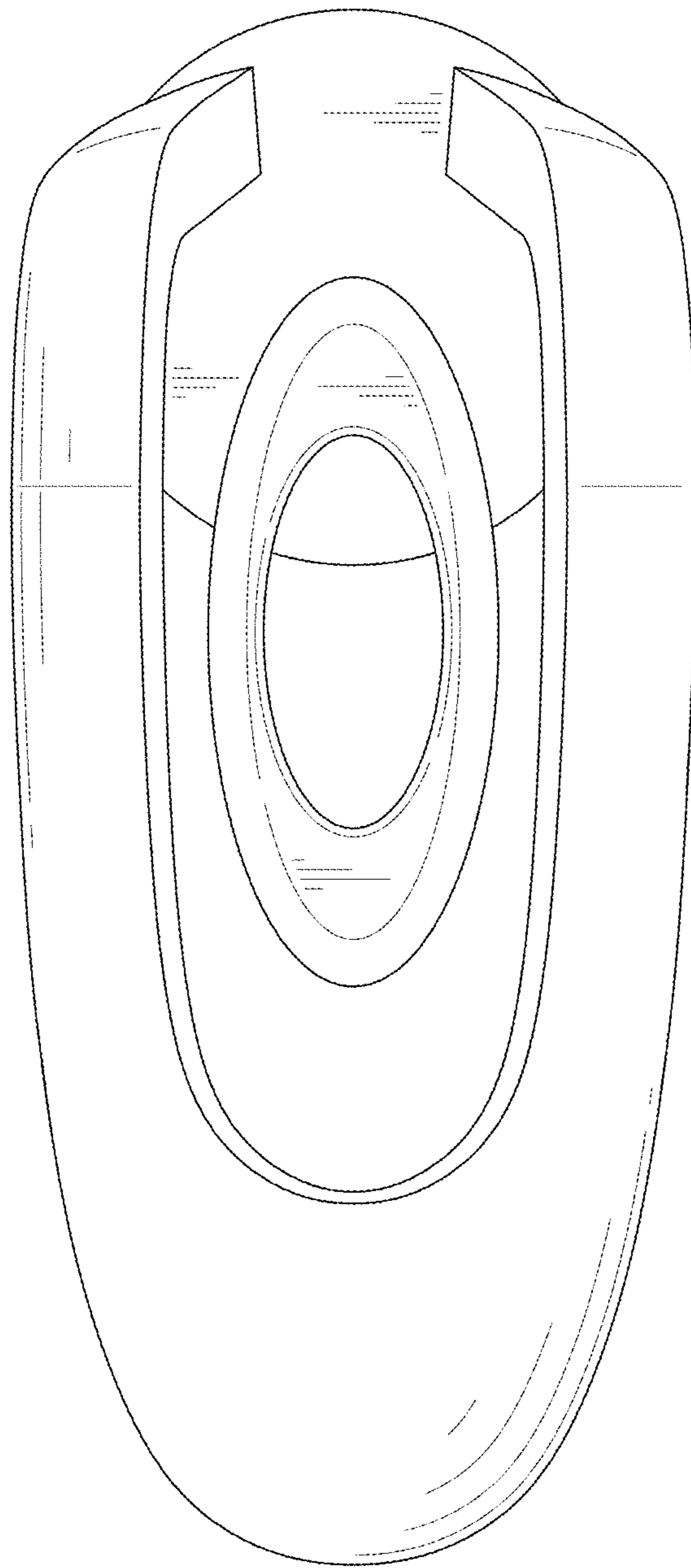


FIG. 7

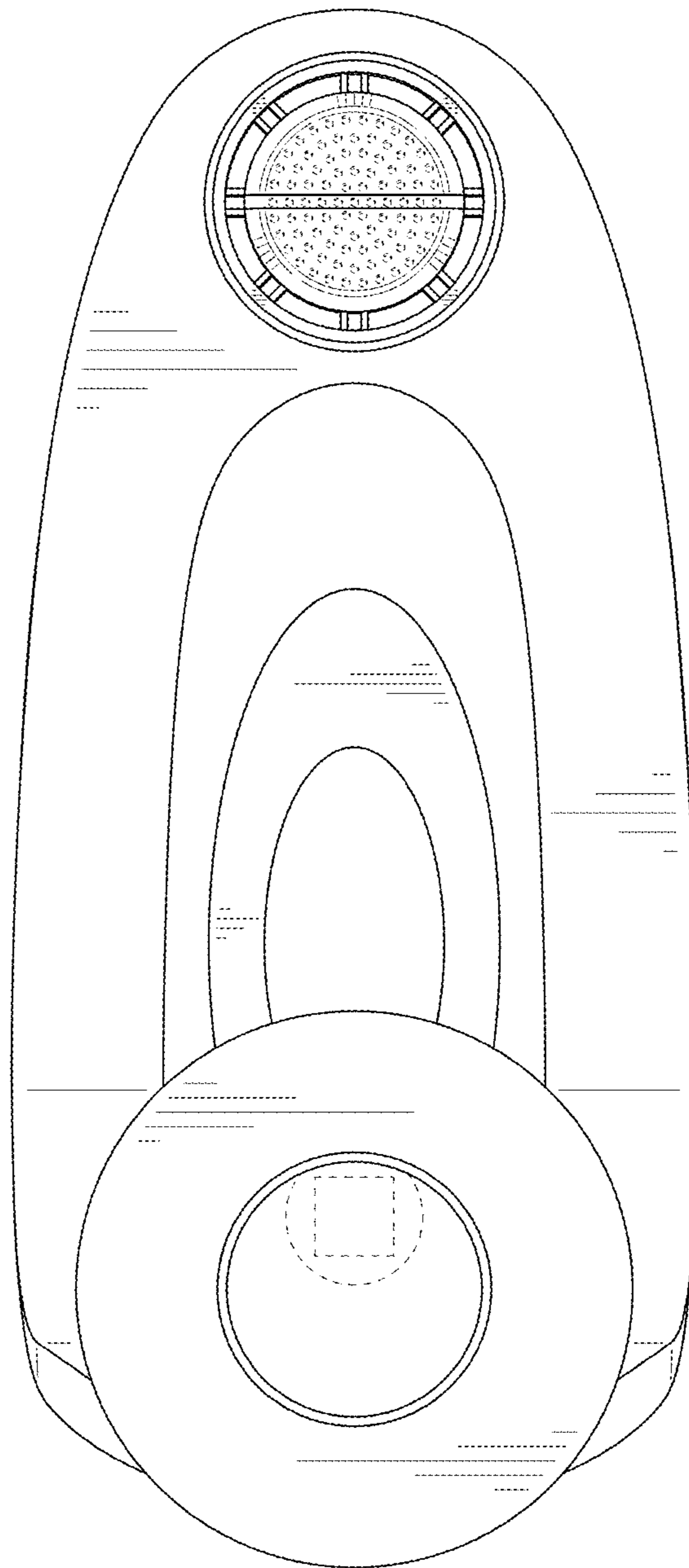


FIG. 8