



US00D946119S

(12) **United States Design Patent** (10) **Patent No.:** **US D946,119 S**  
**Levi** (45) **Date of Patent:** **\*\* Mar. 15, 2022**

(54) **FAUCET**

**FOREIGN PATENT DOCUMENTS**

(71) Applicant: **KRAUS USA PLUMBING LLC**, Port Washington, NY (US)

CN 2630326 Y 8/2004  
CN 2791419 Y 6/2006

(Continued)

(72) Inventor: **Russell Levi**, Port Washington, NY (US)

**OTHER PUBLICATIONS**

(73) Assignee: **KRAUS USA PLUMBING LLC**, Port Washington, NY (US)

U.S. Appl. No. 29/551,955, filed Jan. 19, 2016 in the name of ICG Licensing LLC.

(Continued)

(\*\*) Term: **15 Years**

*Primary Examiner* — John A Voytek

(21) Appl. No.: **29/764,279**

(74) *Attorney, Agent, or Firm* — Nirav D. Parikh; Edgar A. Zarins

(22) Filed: **Dec. 29, 2020**

(57) **CLAIM**

The ornamental design for a faucet, as shown and described.

**DESCRIPTION**

**Related U.S. Application Data**

(63) Continuation of application No. 29/701,571, filed on Aug. 13, 2019, now Pat. No. Des. 913,438.

(51) **LOC (13) Cl.** ..... **23-01**

(52) **U.S. Cl.**  
USPC ..... **D23/238**

(58) **Field of Classification Search**  
USPC ..... D23/238, 239, 240, 241, 242, 243, 249, D23/250, 255, 256, 257

CPC ..... E03C 1/04; E03C 1/0401; E03C 1/0402; E03C 1/0404; E03C 1/0405; E03C 1/0412; Y10T 137/9464

See application file for complete search history.

(56) **References Cited**

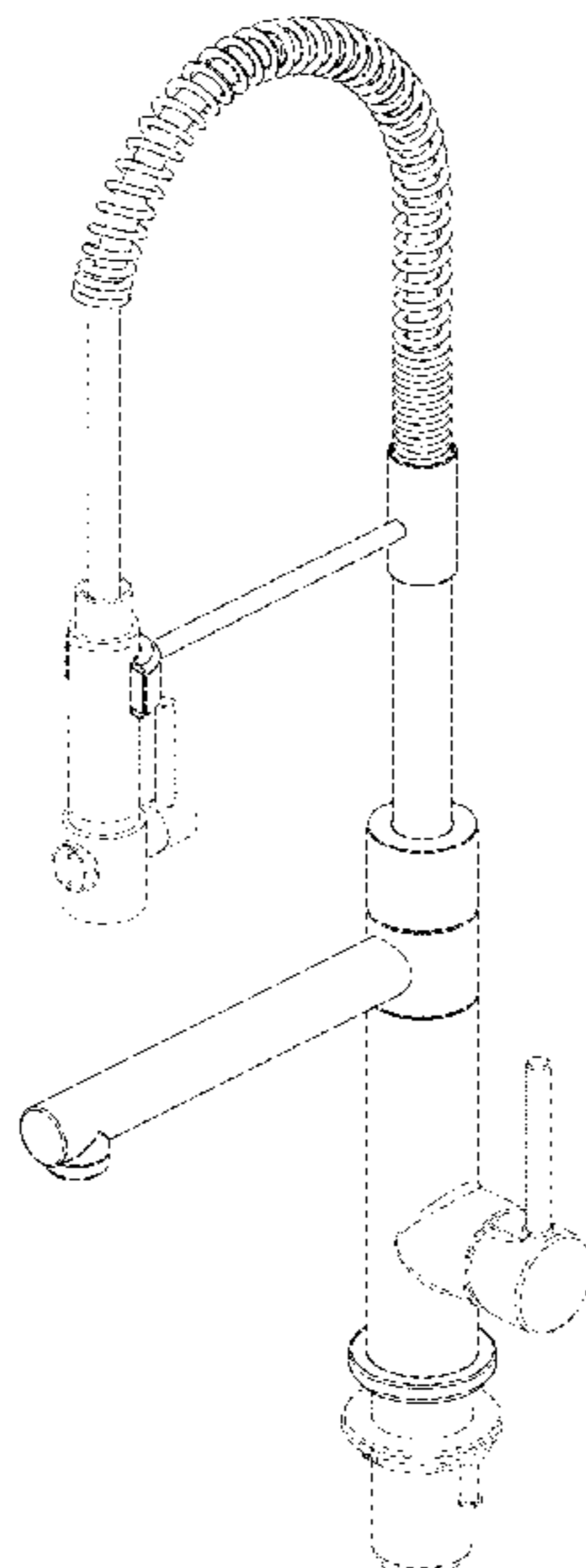
**U.S. PATENT DOCUMENTS**

4,457,342 A 7/1984 Moen  
4,709,715 A 12/1987 Knight  
6,273,138 B1 8/2001 Yoney

(Continued)

FIG. 1 is a front perspective view of a faucet in accordance with the present design;  
FIG. 2 is a front elevational view thereof;  
FIG. 3 is a rear elevational view thereof;  
FIG. 4 is a right side elevational view thereof;  
FIG. 5 is a left side elevational view thereof;  
FIG. 6 is a top plan view thereof;  
FIG. 7 is a perspective view of the faucet shown with a sprayer of the faucet in a pulled down configuration;  
FIG. 8 is a front perspective view of a another embodiment of a faucet in accordance with the present design;  
FIG. 9 is a front elevational view thereof;  
FIG. 10 is a rear elevational view thereof;  
FIG. 11 is a right side elevational view thereof;  
FIG. 12 is a left side elevational view thereof;  
FIG. 13 is a top plan view thereof; and,  
FIG. 14 is a perspective view of the faucet shown with a sprayer of the faucet in a pulled down configuration.  
The broken lines shown are included for the purpose of illustrating a portion of the faucet that form no part of the claimed design.

**1 Claim, 14 Drawing Sheets**



(56)

References Cited

U.S. PATENT DOCUMENTS

D479,309 S 9/2003 Haug et al.  
 D520,114 S 5/2006 Starck  
 7,389,796 B2 6/2008 Vilhelmsen  
 D576,255 S 9/2008 Nobili  
 D605,260 S 12/2009 Allard  
 D651,284 S 12/2011 Flowers et al.  
 8,256,463 B2 9/2012 Farag et al.  
 8,413,686 B2 4/2013 Ko  
 8,869,821 B2 10/2014 Laera  
 D733,259 S 6/2015 Flowers et al.  
 D735,298 S 7/2015 Eads  
 D786,404 S \* 5/2017 Kaule ..... D23/238  
 D800,873 S 10/2017 Jewell  
 D802,720 S 11/2017 Haug et al.  
 D840,511 S \* 2/2019 Garland ..... D23/242  
 D844,109 S \* 3/2019 Rexach ..... D23/238  
 D857,844 S 8/2019 Levi  
 D861,832 S \* 10/2019 Zeng ..... D23/238  
 D862,647 S 10/2019 Zeng  
 D862,648 S 10/2019 Zeng  
 D862,652 S \* 10/2019 Zeng ..... D23/238  
 D863,505 S 10/2019 Zeng  
 D863,506 S 10/2019 Hayner et al.  
 D864,356 S \* 10/2019 Zhang ..... D23/238  
 D905,203 S \* 12/2020 Zhang ..... D23/238  
 D905,204 S \* 12/2020 Zhang ..... D23/238  
 D912,778 S \* 3/2021 Huang ..... D23/238  
 D913,438 S \* 3/2021 Levi ..... D23/238  
 D914,143 S \* 3/2021 Levi ..... D23/238  
 D917,014 S \* 4/2021 Wang ..... D23/238  
 D917,670 S \* 4/2021 Levi ..... D23/238  
 2007/0251590 A1 11/2007 Weinstein

2016/0215482 A1 7/2016 Fourman et al.  
 2018/0030700 A1 2/2018 Zindler et al.  
 2019/0078305 A1 3/2019 Lin et al.

FOREIGN PATENT DOCUMENTS

CN 200940723 Y 8/2007  
 CN 103453197 B 7/2015  
 CN 104896136 A 9/2015  
 CN 204922092 U 12/2015  
 CN 206616624 U 11/2017  
 CN 109340429 A 2/2019  
 EP 2896759 A1 7/2015  
 WO 8706861 A1 11/1987

OTHER PUBLICATIONS

U.S. Appl. No. 29/551,697, filed Jan. 15, 2016 in the name of ICG Licensing LLC.  
 U.S. Appl. No. 29/701,573, filed Aug. 13, 2019 in the name of ICG Licensing LLC.  
 U.S. Appl. No. 29/701,574, filed Aug. 13, 2019 in the name of ICG Licensing LLC.  
 U.S. Appl. No. 29/701,754, filed Aug. 14, 2019 in the name of ICG Licensing LLC.  
 U.S. Appl. No. 29/701,757, filed Aug. 14, 2019 in the name of ICG Licensing LLC.  
 U.S. Appl. No. 29/701,090, filed Aug. 8, 2019 in the name of ICG Licensing LLC.  
 U.S. Appl. No. 29/701,758, filed Aug. 14, 2019 in the name of ICG Licensing LLC.

\* cited by examiner

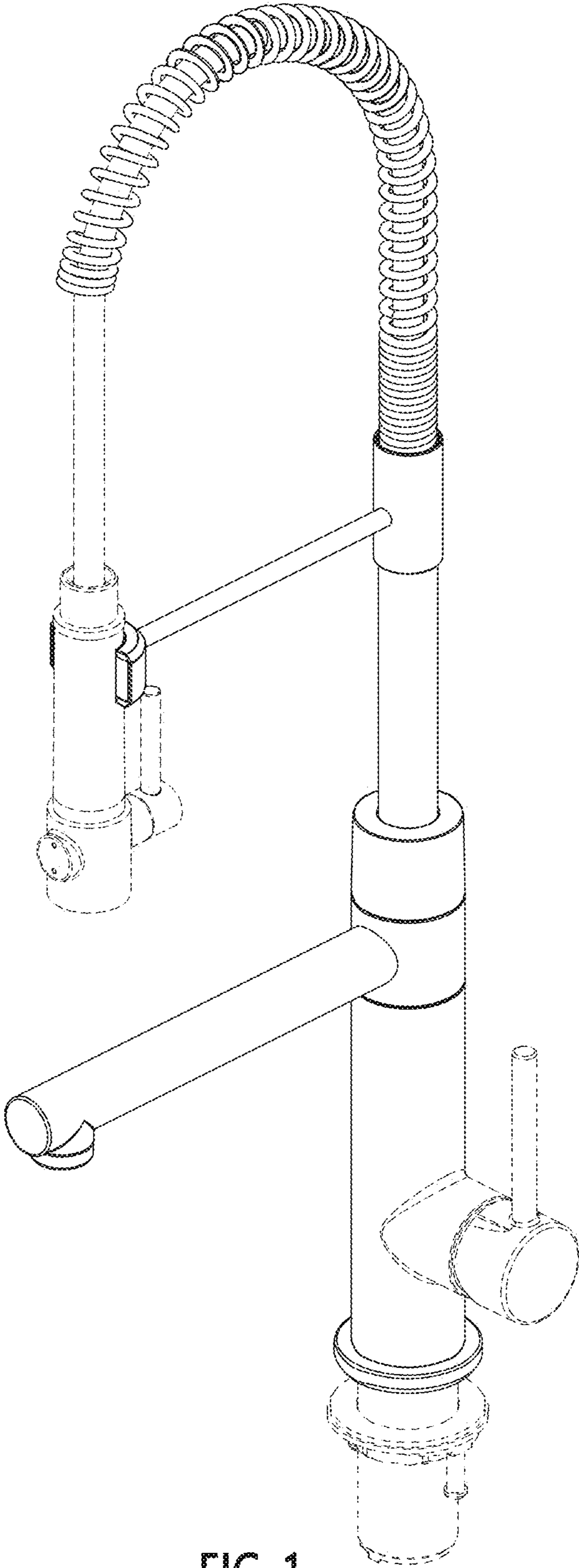


FIG. 1

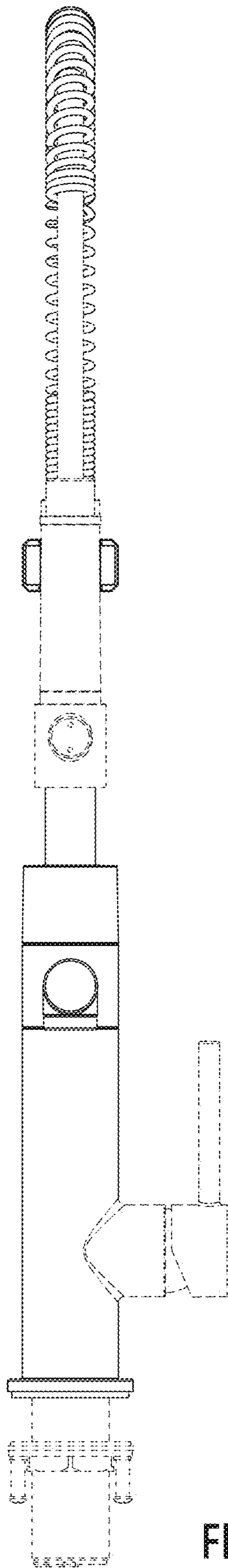


FIG. 2

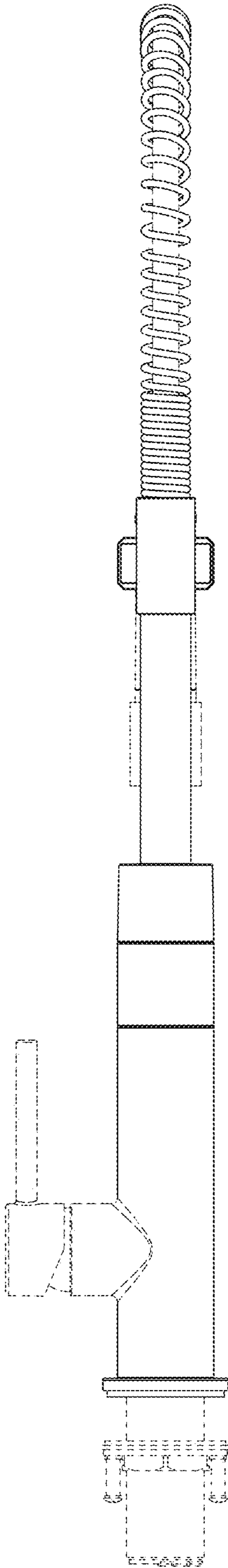


FIG. 3

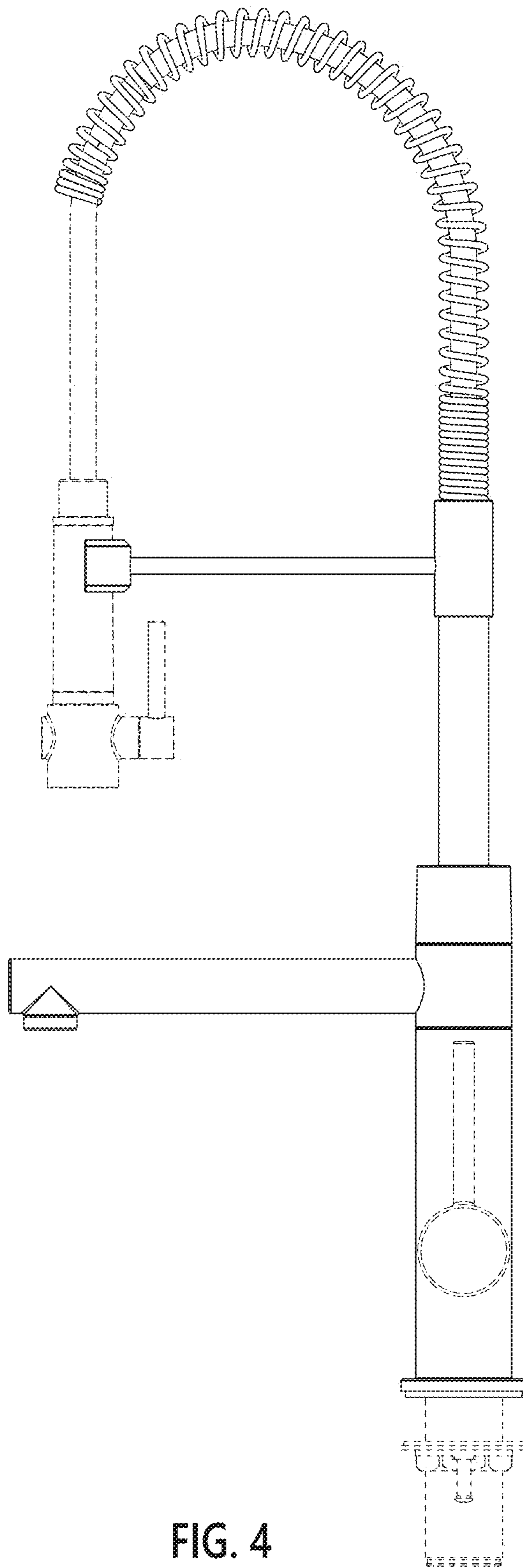


FIG. 4

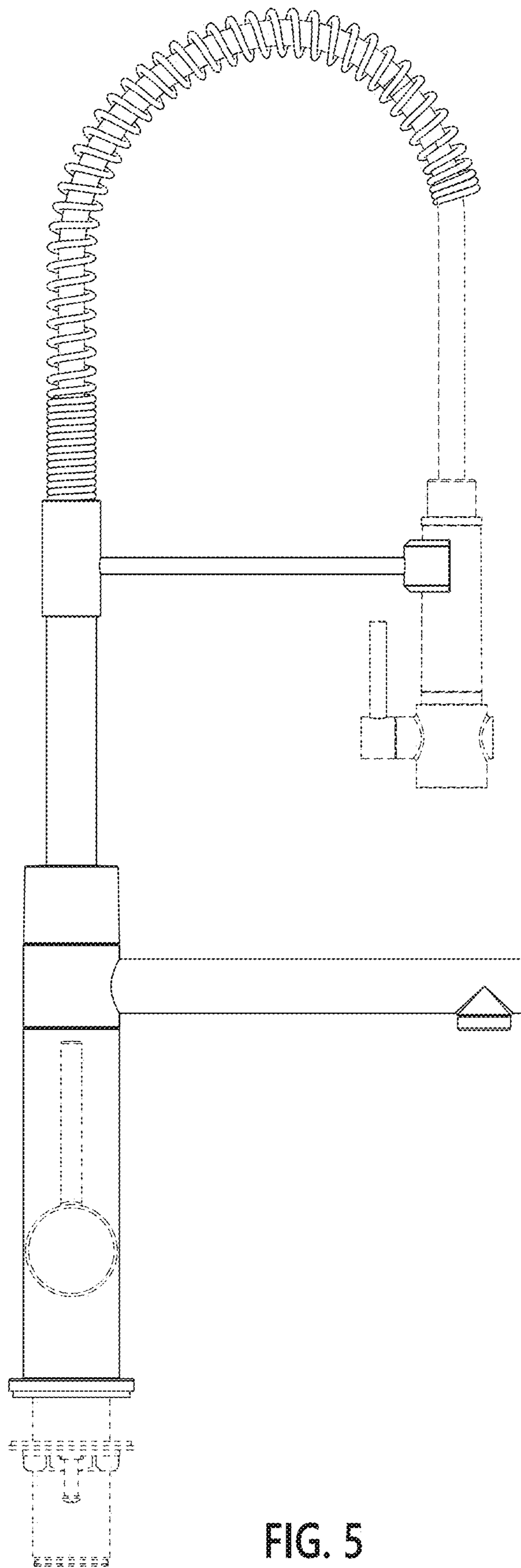


FIG. 5

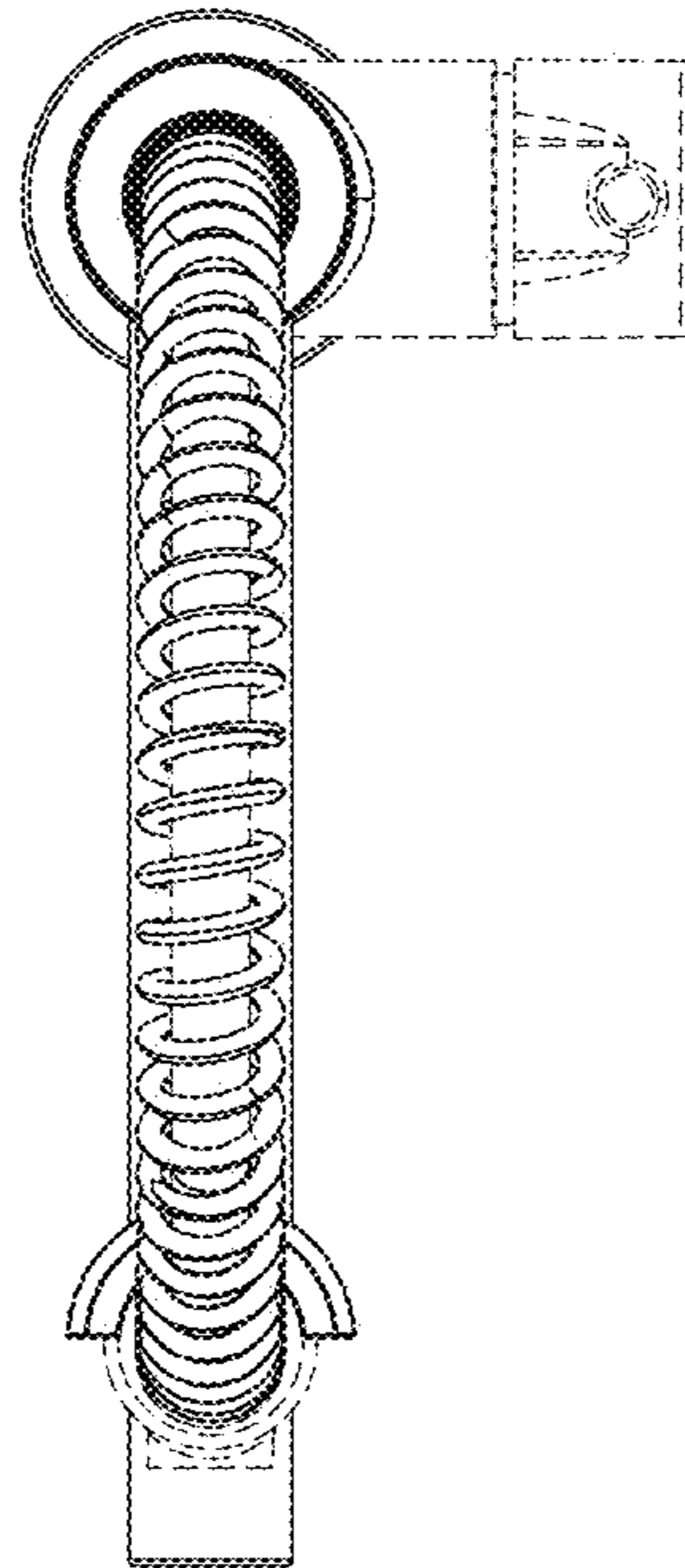


FIG. 6



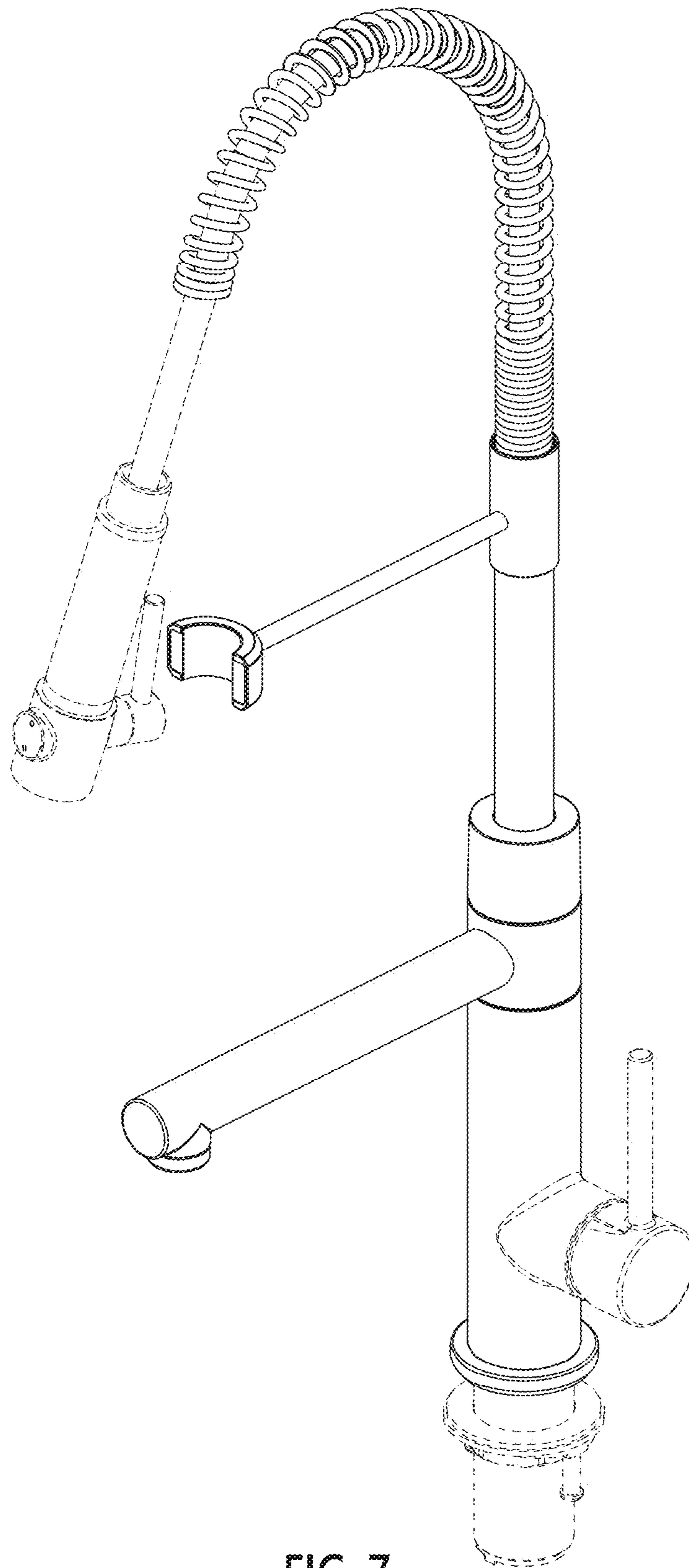


FIG. 7

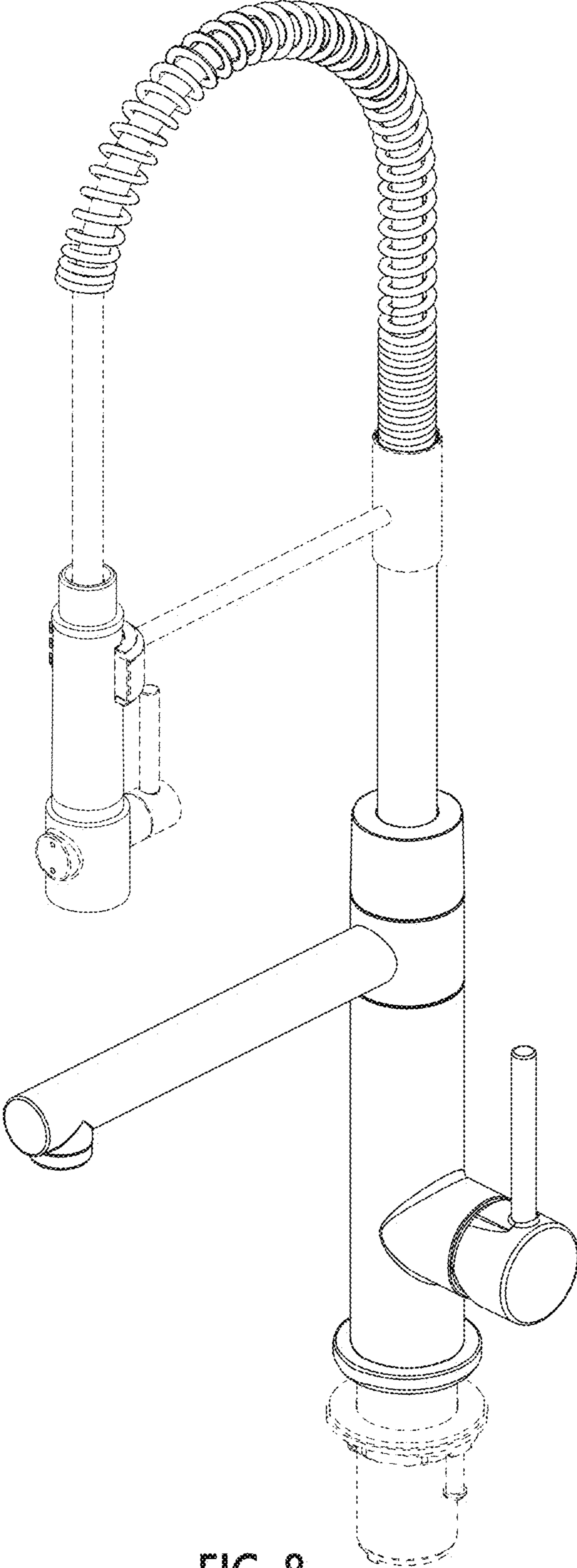


FIG. 8

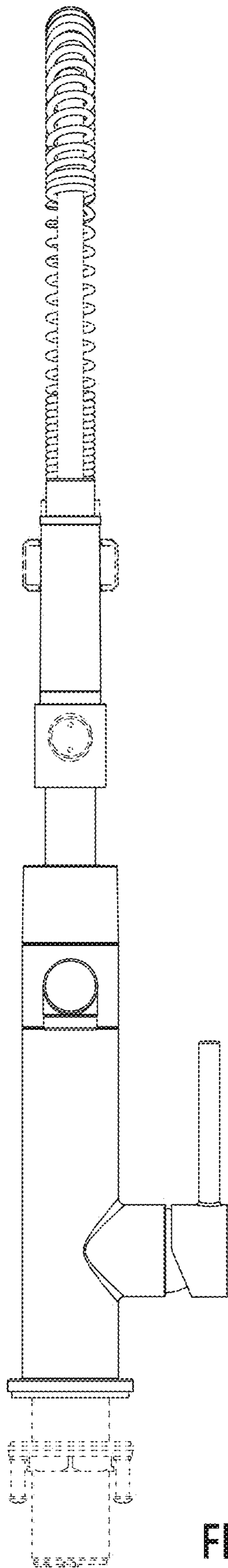


FIG. 9

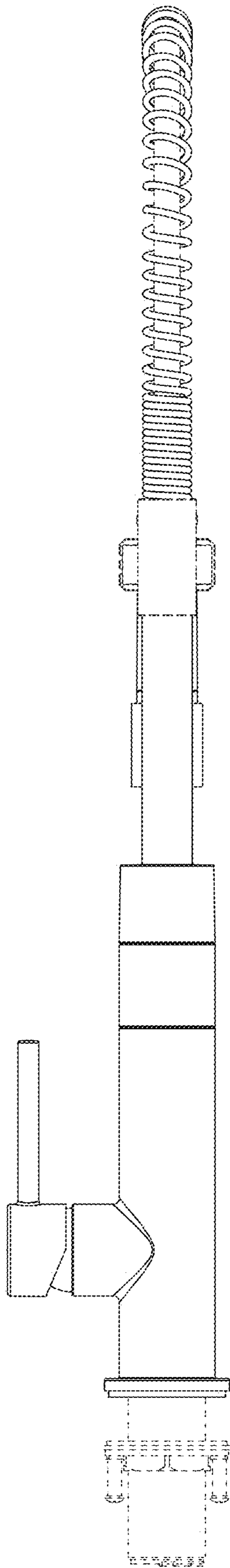


FIG. 10

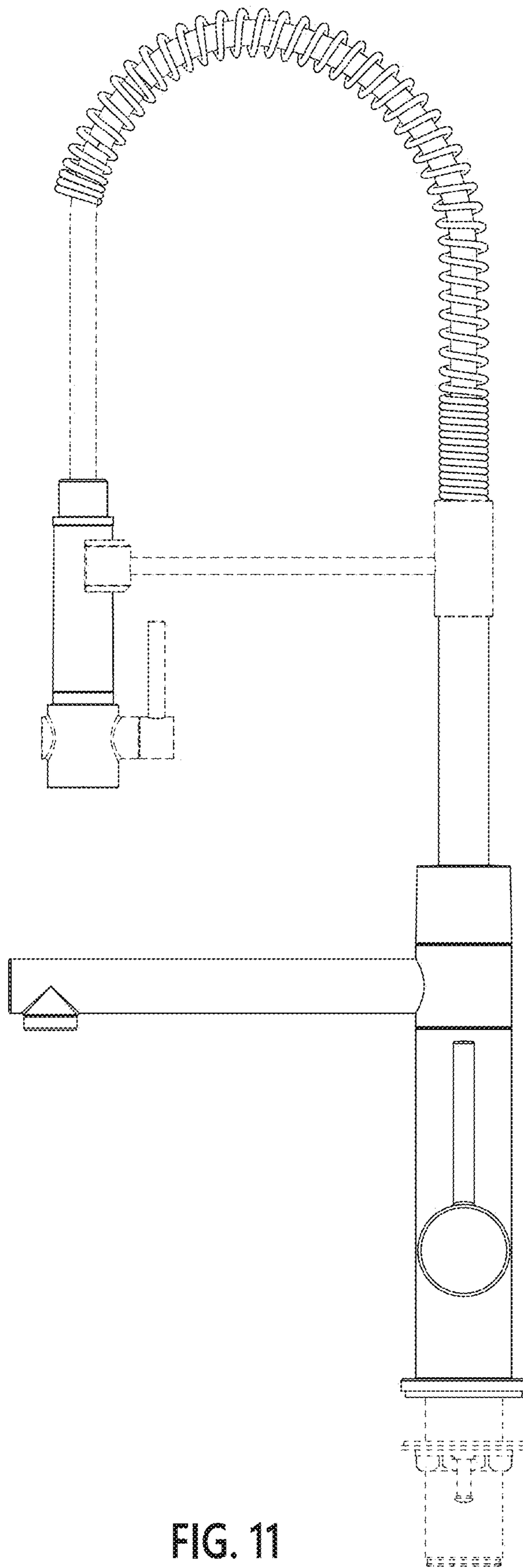


FIG. 11

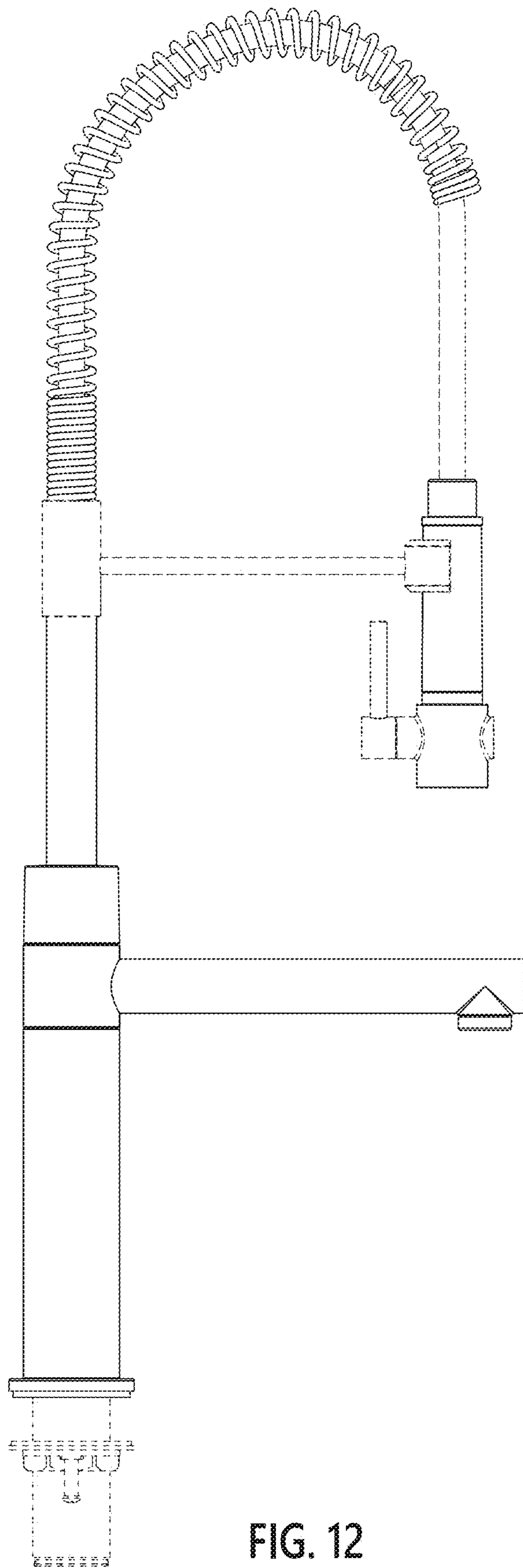


FIG. 12

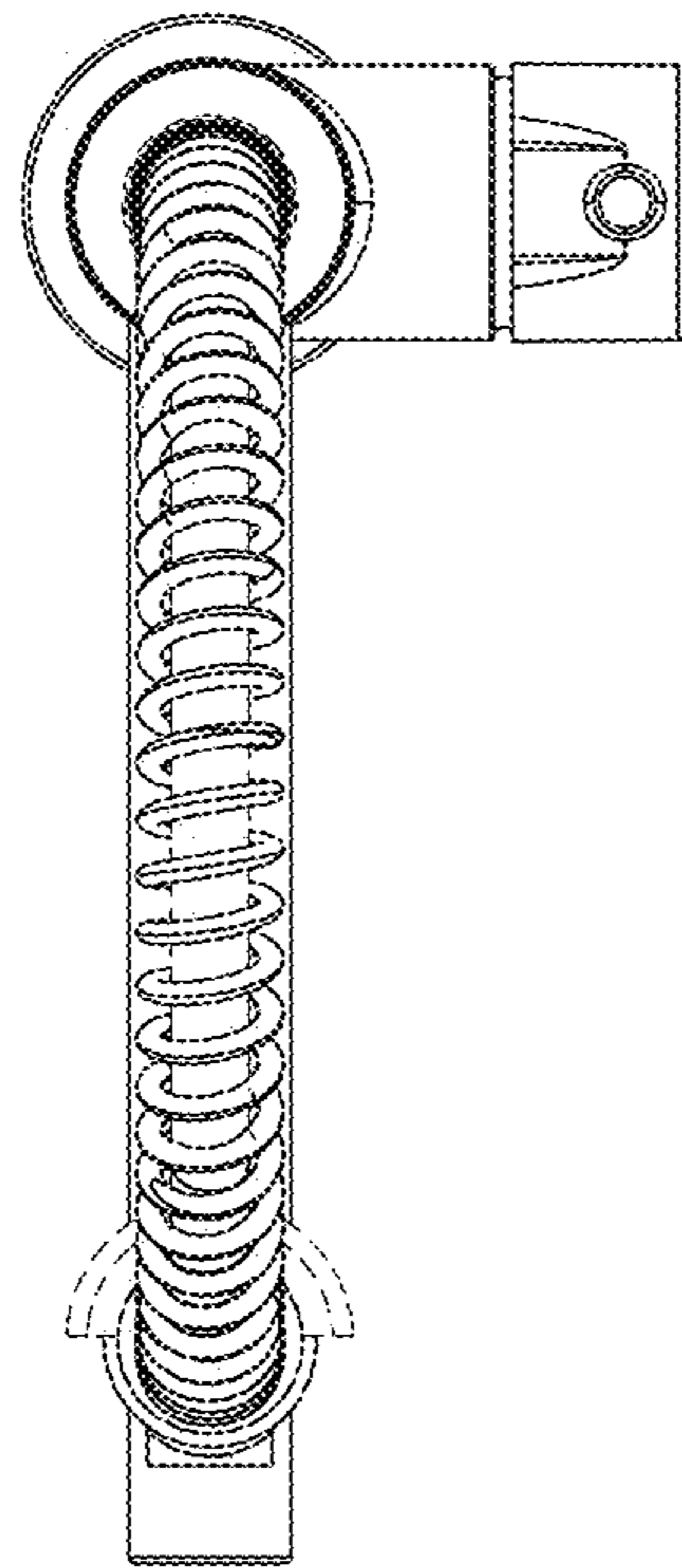


FIG. 13

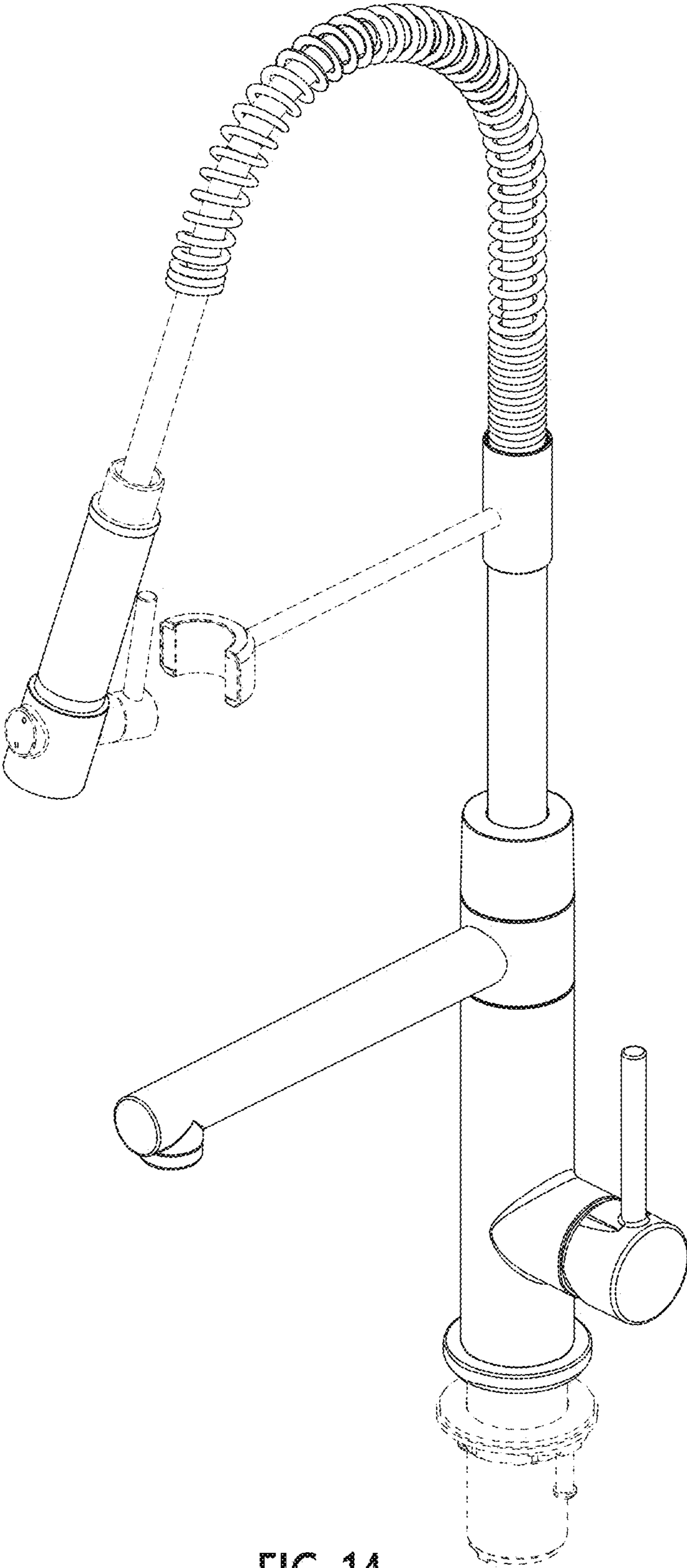


FIG. 14