

US00D946118S

(12) **United States Design Patent**  
**Chen**

(10) **Patent No.:** **US D946,118 S**  
(45) **Date of Patent:** **\*\* Mar. 15, 2022**

- (54) **GARDENING SPRAYER**
- (71) Applicant: **SHIN TAI SPURT WATER OF THE GARDEN TOOLS CO., LTD,**  
Chang-Hua Hsien (TW)
- (72) Inventor: **Chin-Yuan Chen,** Chang-Hua Hsien (TW)
- (73) Assignee: **SHIN TAI SPURT WATER OF THE GARDEN TOOLS CO., LTD.,**  
Chang-Hua Hsien (TW)

D431,069	S *	9/2000	Heren	.....	D23/226
D437,029	S *	1/2001	Chao	.....	D23/226
6,193,171	B1 *	2/2001	Albertson	.....	B05B 3/04 239/381
D461,227	S *	8/2002	Guo	.....	D23/226
6,427,931	B1 *	8/2002	Guo	.....	B05B 1/30 239/526
D494,656	S *	8/2004	Hudman	.....	D23/226
D554,233	S *	10/2007	Chih	.....	D23/226
D557,769	S *	12/2007	Chih	.....	D23/226
D599,884	S *	9/2009	Zore	.....	D23/226
D648,824	S *	11/2011	Hung	.....	D23/226
D824,488	S *	7/2018	Montoya	.....	D23/223
D846,074	S *	4/2019	Pease	.....	D23/226
D921,840	S *	6/2021	Chen	.....	D23/226
2007/0034719	A1 *	2/2007	Luo	.....	B05B 1/3046 239/526

(\*\*) Term: **15 Years**

(21) Appl. No.: **29/757,404**

(22) Filed: **Nov. 5, 2020**

(51) **LOC (13) Cl.** ..... **23-01**

(52) **U.S. Cl.**  
USPC ..... **D23/226**

(58) **Field of Classification Search**  
USPC ..... D23/213, 223, 224, 226, 228, 229, 238,  
D23/239, 240, 241, 242, 250  
CPC ..... B05B 1/16; B05B 1/1618; B05B 1/18;  
E03C 1/0401; E03C 1/0405; E03C  
1/0408; E03C 1/066; E03C 2001/0415  
See application file for complete search history.

(56) **References Cited**

**U.S. PATENT DOCUMENTS**

5,348,228	A *	9/1994	Wang	.....	B05B 1/16 239/394
D358,196	S *	5/1995	McCain	.....	D23/223
D361,122	S *	8/1995	Goodin	.....	D23/223
D390,633	S *	2/1998	Guo	.....	D23/223
D399,919	S *	10/1998	Goodin	.....	D23/226
D401,670	S *	11/1998	Goodin	.....	D23/226
D402,000	S *	12/1998	Goodin	.....	D23/226
D408,497	S *	4/1999	Wang	.....	D23/226
D409,720	S *	5/1999	Guo	.....	D23/226

(Continued)

**OTHER PUBLICATIONS**

Gilmour 847732-1002, Mar. 23, 2019, Amazon, site visited Oct. 20, 2021: <https://www.amazon.ca/dp/B07P9VJX4K/> (Year: 2019).\*

(Continued)

*Primary Examiner* — Jack Reickel  
*Assistant Examiner* — Bobby W Jones, II

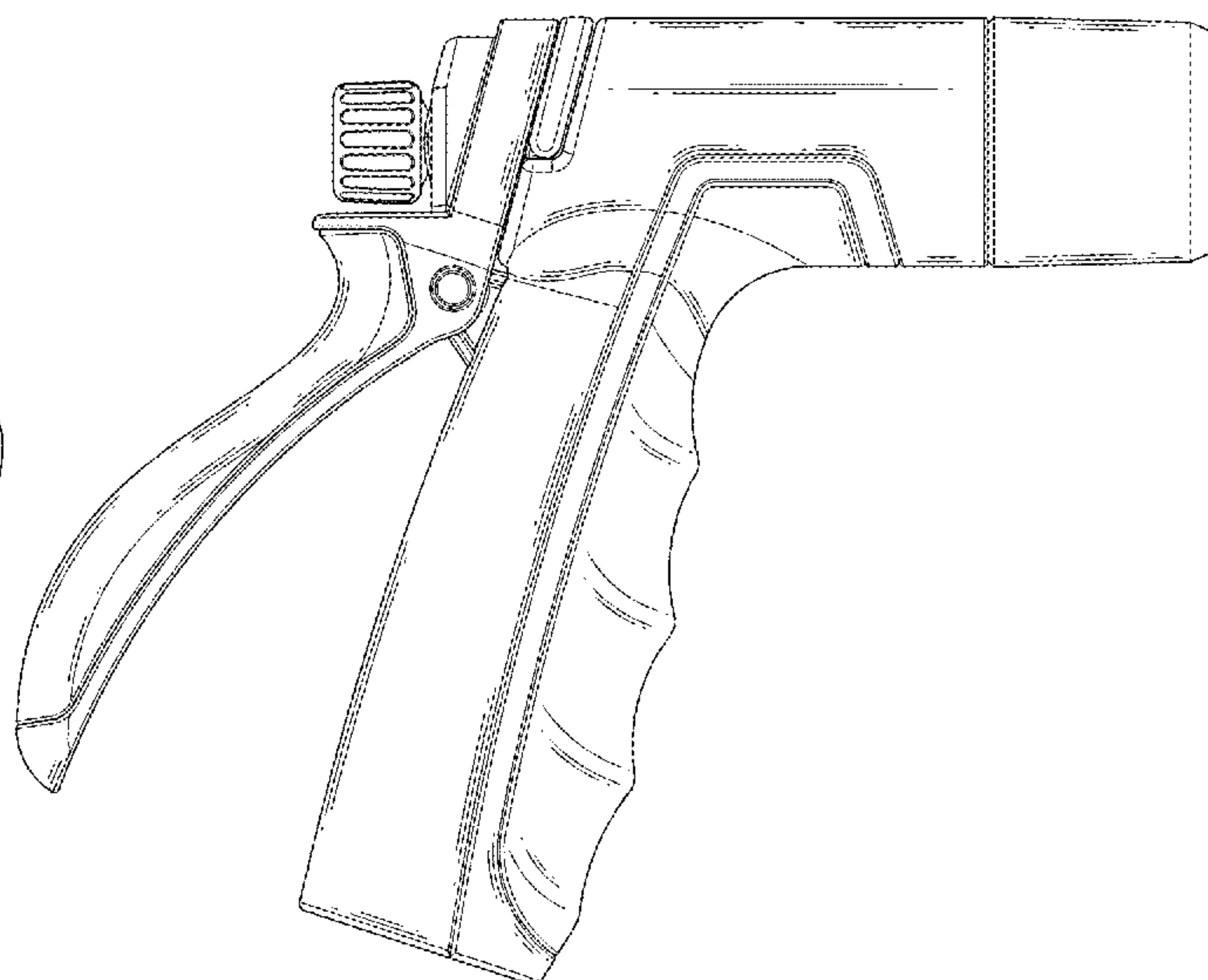
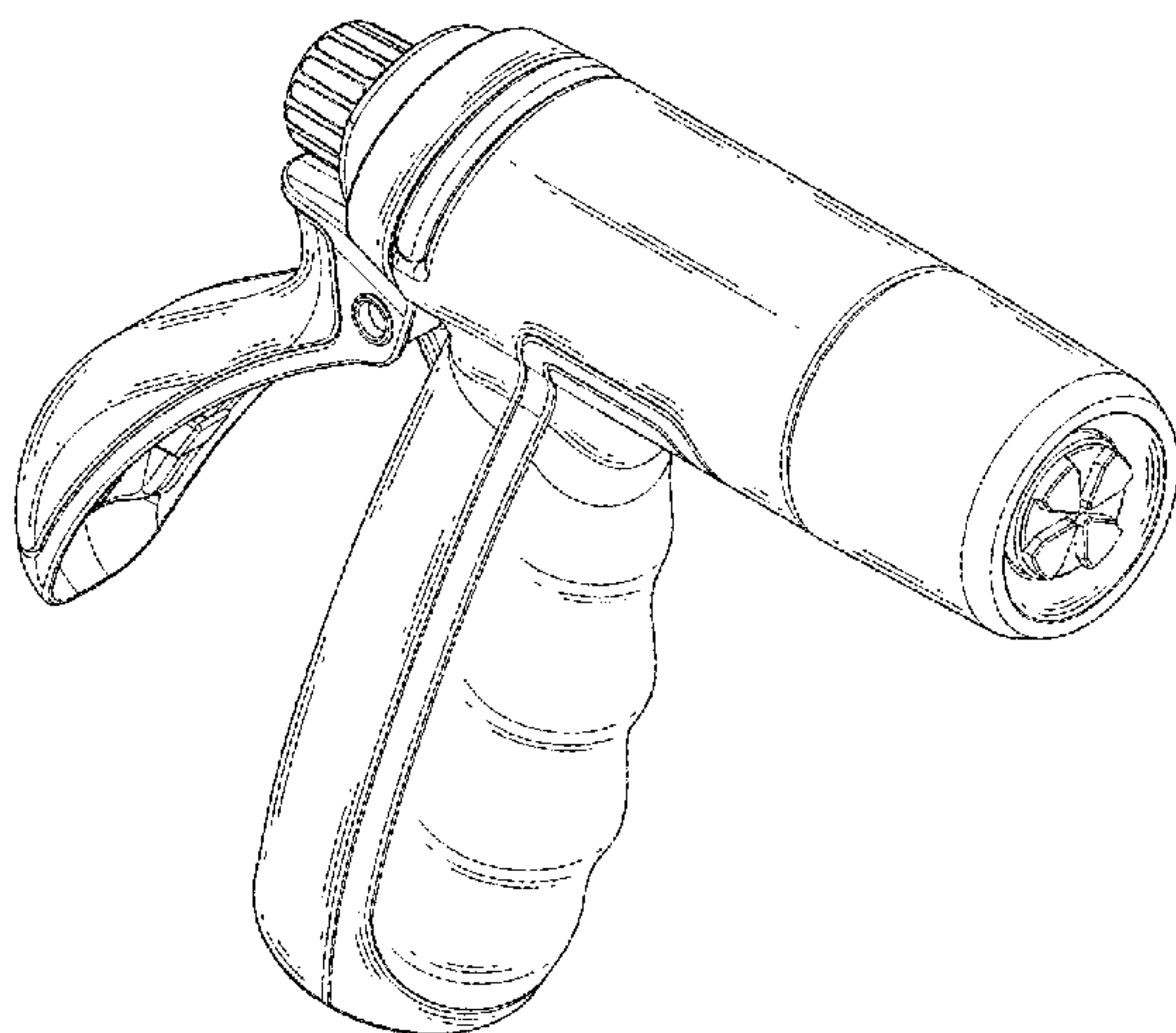
(57) **CLAIM**

The ornamental design for a gardening sprayer, as shown and described.

**DESCRIPTION**

FIG. 1 is a perspective view of a gardening sprayer showing my new design;  
FIG. 2 is a front elevational view thereof;  
FIG. 3 is a rear elevational view thereof;  
FIG. 4 is a left side elevational view thereof;  
FIG. 5 is a right side elevational view thereof;  
FIG. 6 is a top plan view thereof; and,  
FIG. 7 is a bottom plan view thereof.

**1 Claim, 4 Drawing Sheets**



(56)

**References Cited**

U.S. PATENT DOCUMENTS

2013/0193236 A1\* 8/2013 Ye ..... B05B 9/01  
239/526  
2015/0028134 A1\* 1/2015 Hung ..... B05B 1/3046  
239/526

OTHER PUBLICATIONS

“Melnor 65042-AMZ Metal 2 Pack”, Aug. 2, 2019, Amazon, site visited Feb. 3, 2021: <https://www.amazon.ca/dp/B07NW5DXLQ/> (Year: 2019).\*

“Orbit SunMate 3 Piece Nozzle Set”, Nov. 2, 2012, Amazon, Site visited Nov. 30, 2020: <https://www.amazon.ca/dp/B004RUBFN0/> (Year: 2012).\*

\* cited by examiner

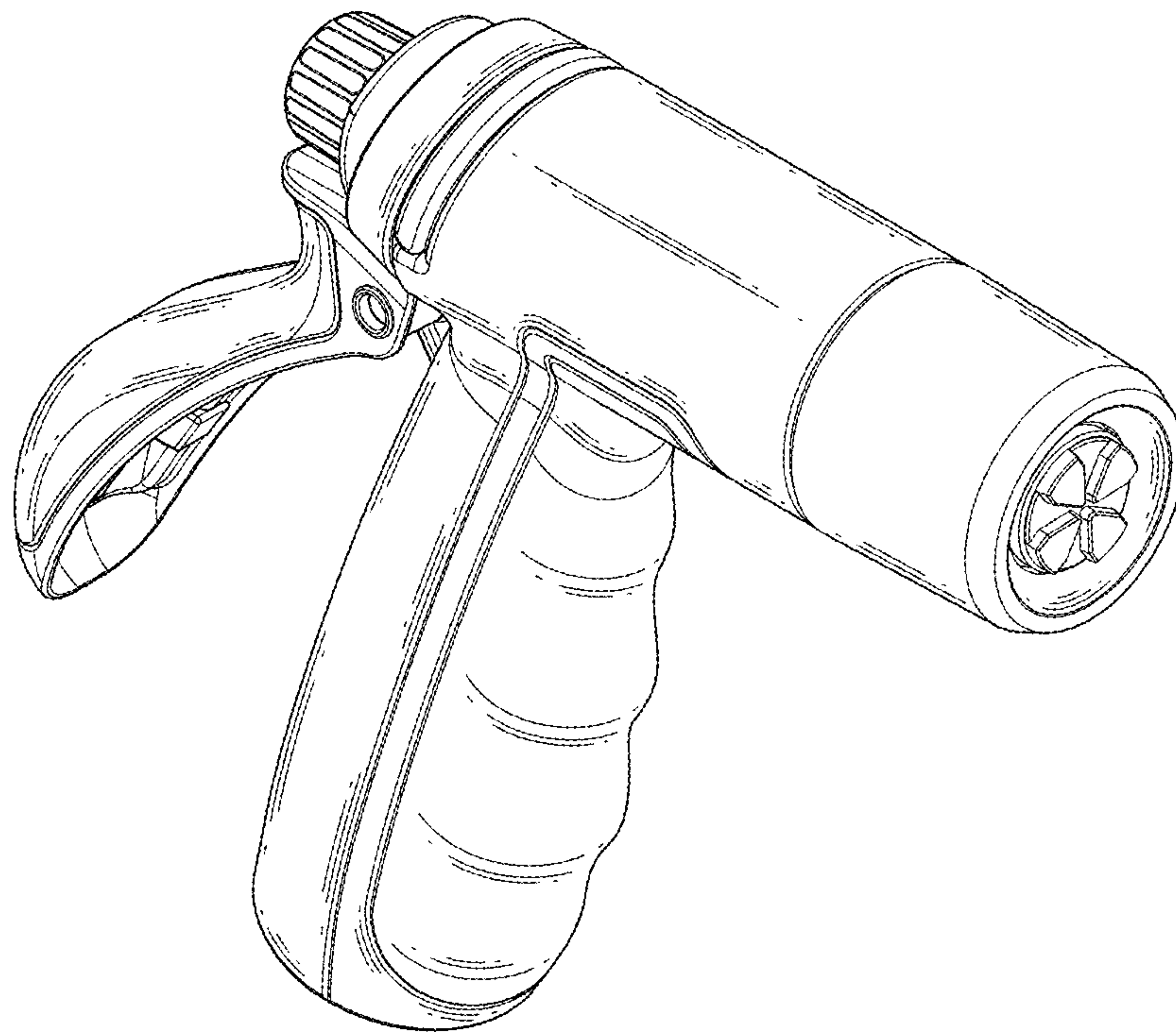


FIG.1

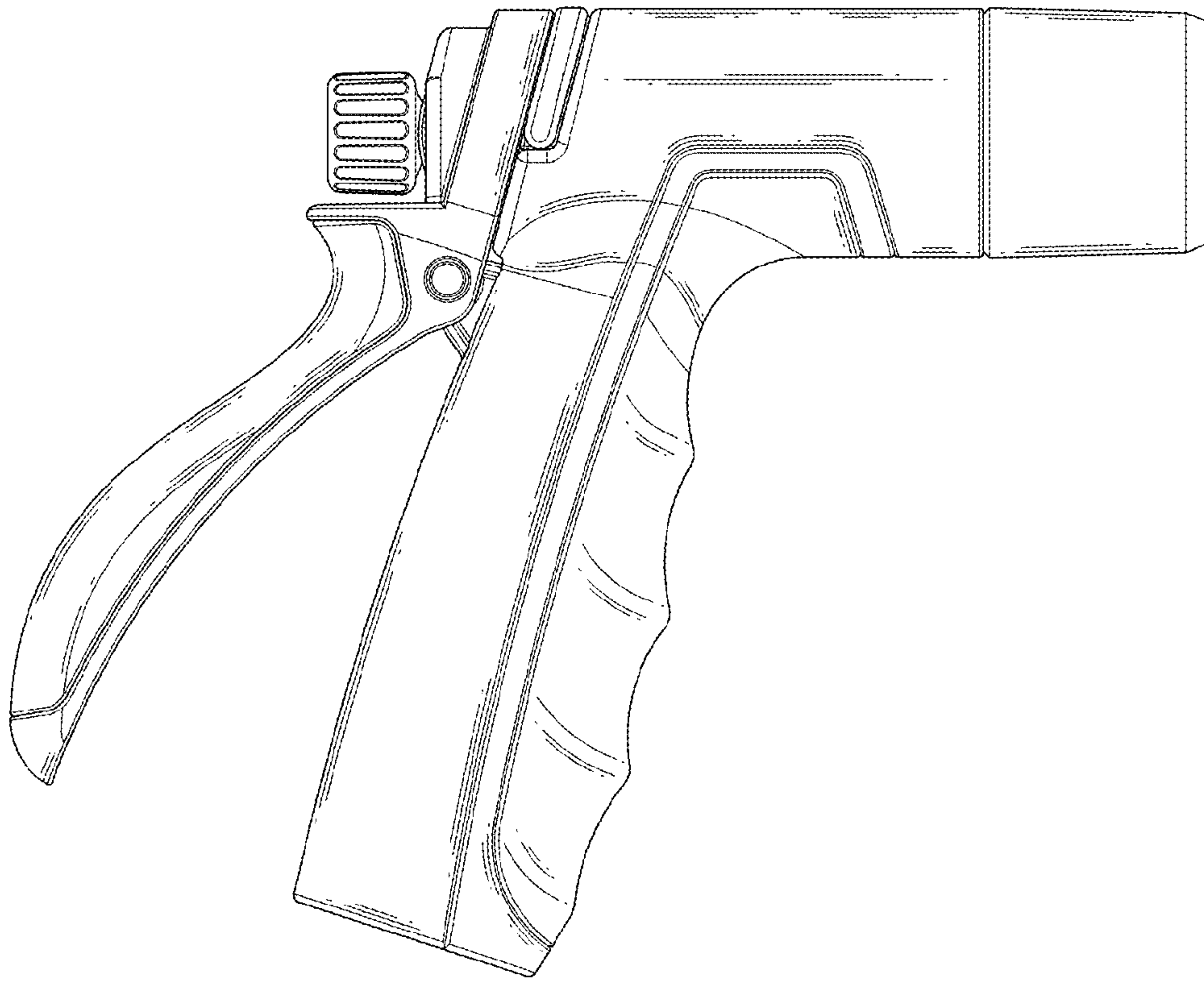


FIG. 2

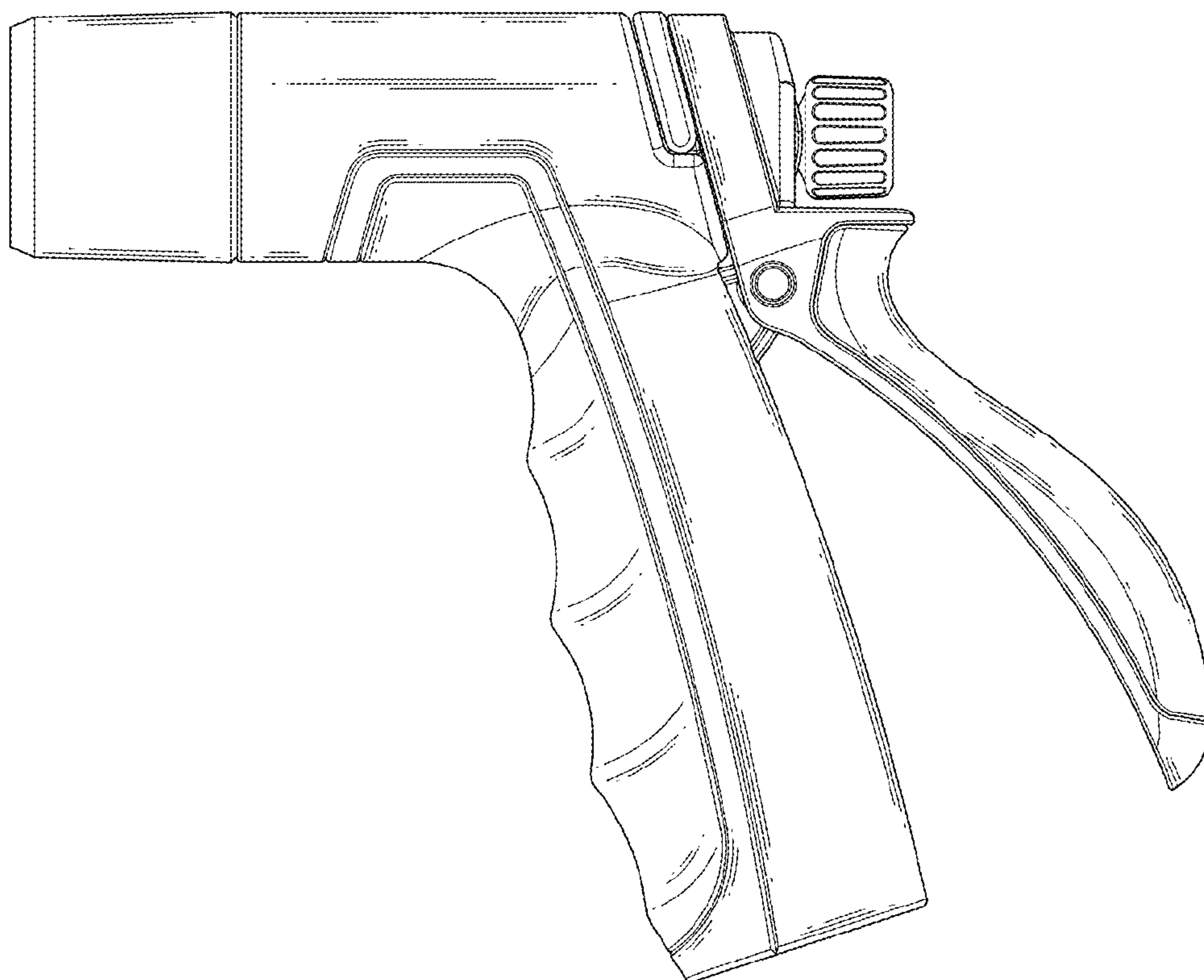


FIG. 3



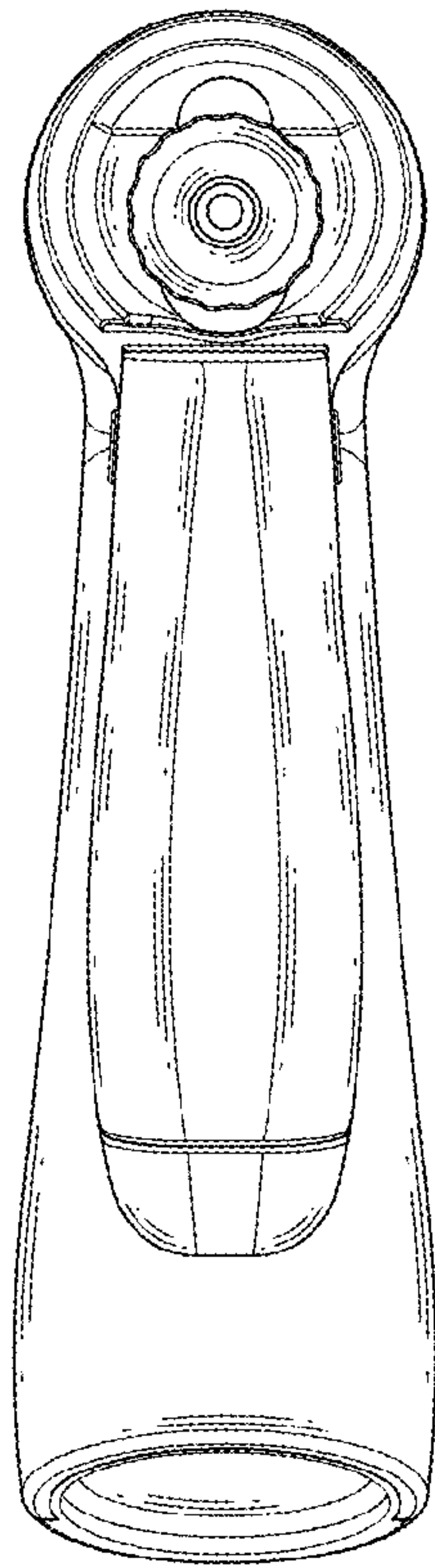


FIG. 4

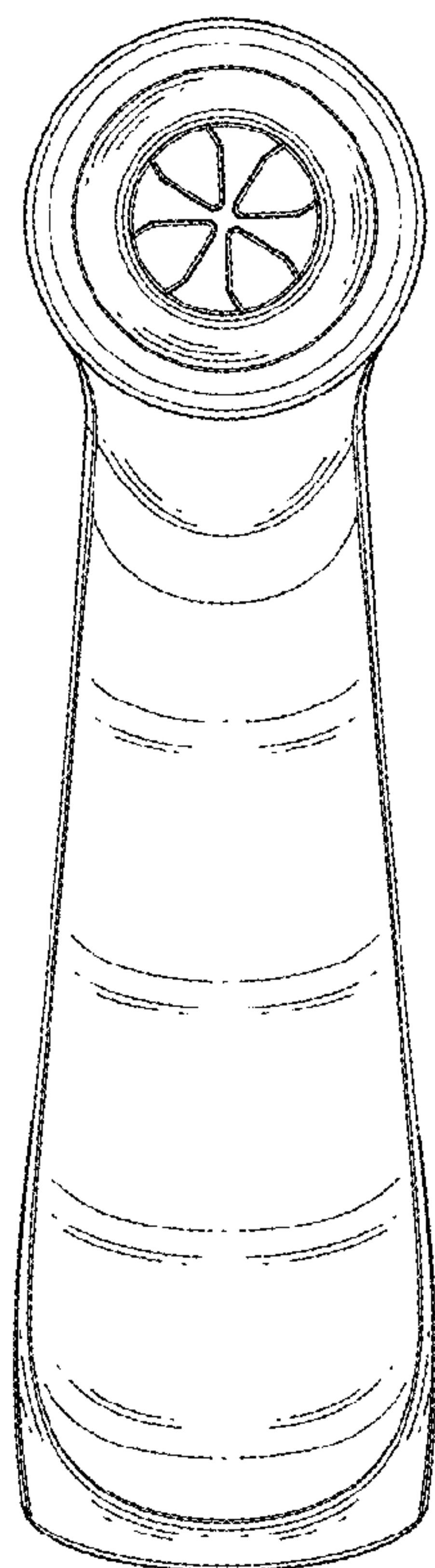


FIG. 5

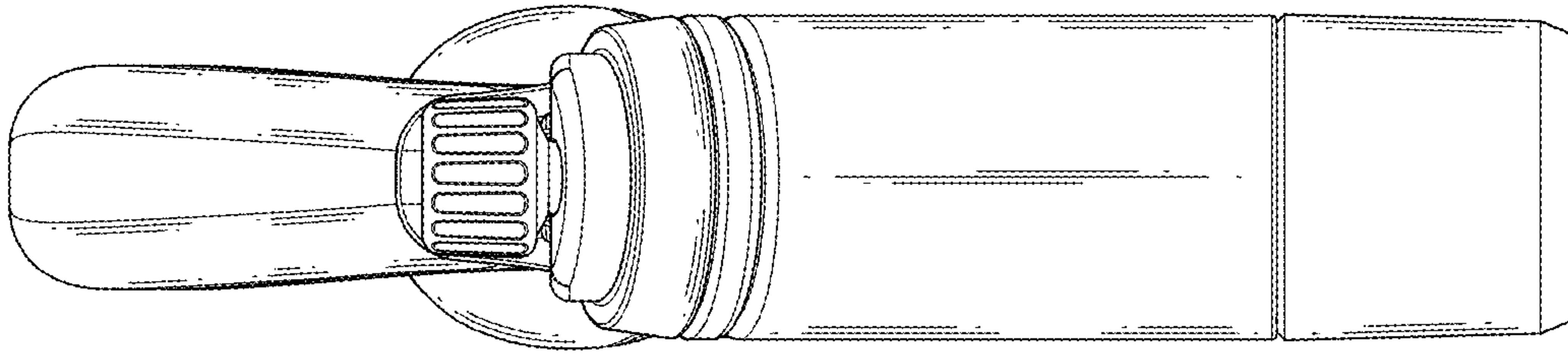


FIG.6

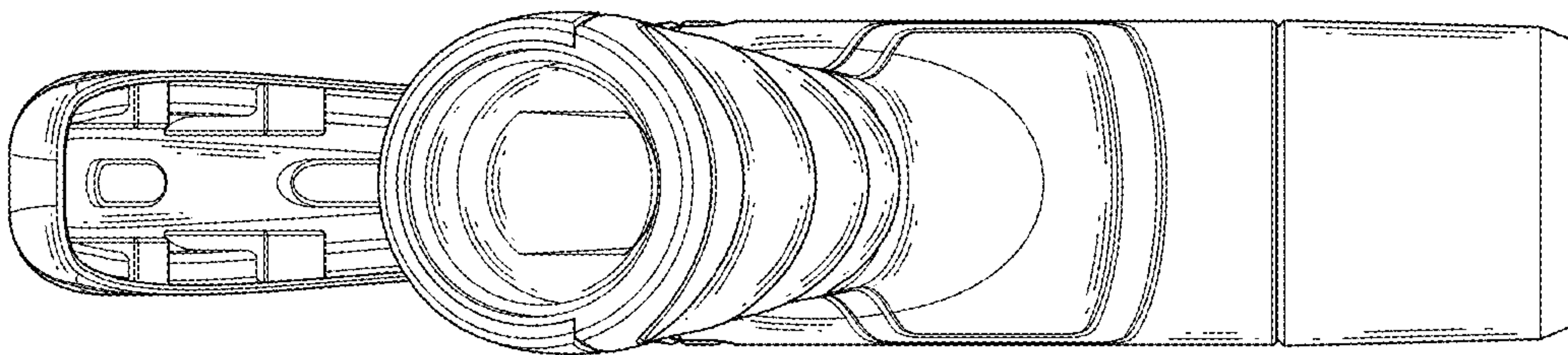


FIG.7