



US00D946117S

(12) **United States Design Patent**
Chen

(10) **Patent No.:** **US D946,117 S**
(45) **Date of Patent:** **** Mar. 15, 2022**

- (54) **GARDENING SPRAYER**
- (71) Applicant: **SHIN TAI SPURT WATER OF THE GARDEN TOOLS CO., LTD,**
Chang-Hua Hsien (TW)
- (72) Inventor: **Chin-Yuan Chen,** Chang-Hua Hsien (TW)
- (73) Assignee: **SHIN TAI SPURT WATER OF THE GARDEN TOOLS CO., LTD.,**
Chang-Hua Hsien (TW)

6,193,171	B1 *	2/2001	Albertson	B05B 3/04
					239/381
6,427,931	B1 *	8/2002	Guo	B05B 1/30
					239/526
D471,957	S *	3/2003	Nien	D23/226
D477,051	S *	7/2003	Kuo	D23/226
D532,077	S *	11/2006	Chen	D23/213
D537,504	S *	2/2007	Luo	D23/226
D557,768	S *	12/2007	Chih	D23/226
D839,992	S *	2/2019	Svendsen	D23/226
D929,536	S *	8/2021	Chen	D23/223
2005/0121541	A1 *	6/2005	Wu	B05B 1/1654
					239/436
2007/0034719	A1 *	2/2007	Luo	B05B 1/3046
					239/526

(**) Term: **15 Years**

(Continued)

(21) Appl. No.: **29/757,400**

(22) Filed: **Nov. 5, 2020**

(51) **LOC (13) Cl.** **23-01**

(52) **U.S. Cl.**
USPC **D23/226**

(58) **Field of Classification Search**
USPC D23/213, 223, 224, 226, 228, 229, 238,
D23/239, 240, 241, 242, 250
CPC B05B 1/16; B05B 1/1618; B05B 1/18;
E03C 1/0401; E03C 1/0405; E03C
1/0408; E03C 1/066; E03C 2001/0415
See application file for complete search history.

(56) **References Cited**

U.S. PATENT DOCUMENTS

D225,736	S *	1/1973	Mango	D23/226
5,348,228	A *	9/1994	Wang	B05B 1/16
					239/394
D379,491	S *	5/1997	Goodin	D23/226
D391,627	S *	3/1998	Goodin	D23/226
D392,719	S *	3/1998	Guo	D23/223
D394,305	S *	5/1998	Kuo	D23/226
D404,798	S *	1/1999	Goodin	D23/226
D408,496	S *	4/1999	Wang	D23/226
D422,339	S *	4/2000	Ericksen	D23/226
D426,285	S *	6/2000	Heren	D23/226

OTHER PUBLICATIONS

“Robert Bosch Tool Corp 50107”, Nov. 1, 2011, Amazon, site visited Oct. 20, 2021: <https://www.amazon.ca/dp/B0015AT2I0/> (Year: 2011).*

(Continued)

Primary Examiner — Jack Reickel
Assistant Examiner — Bobby W Jones, II

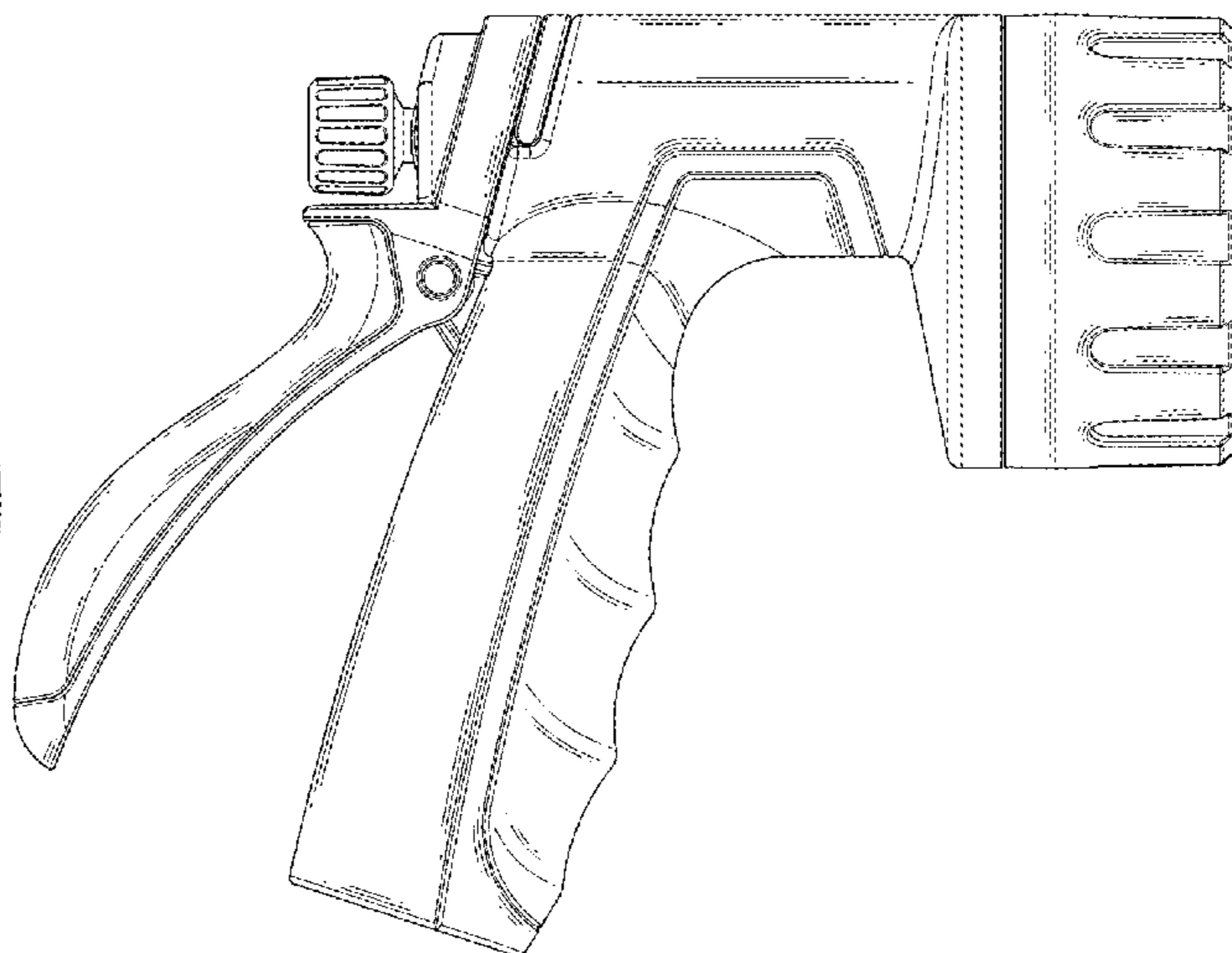
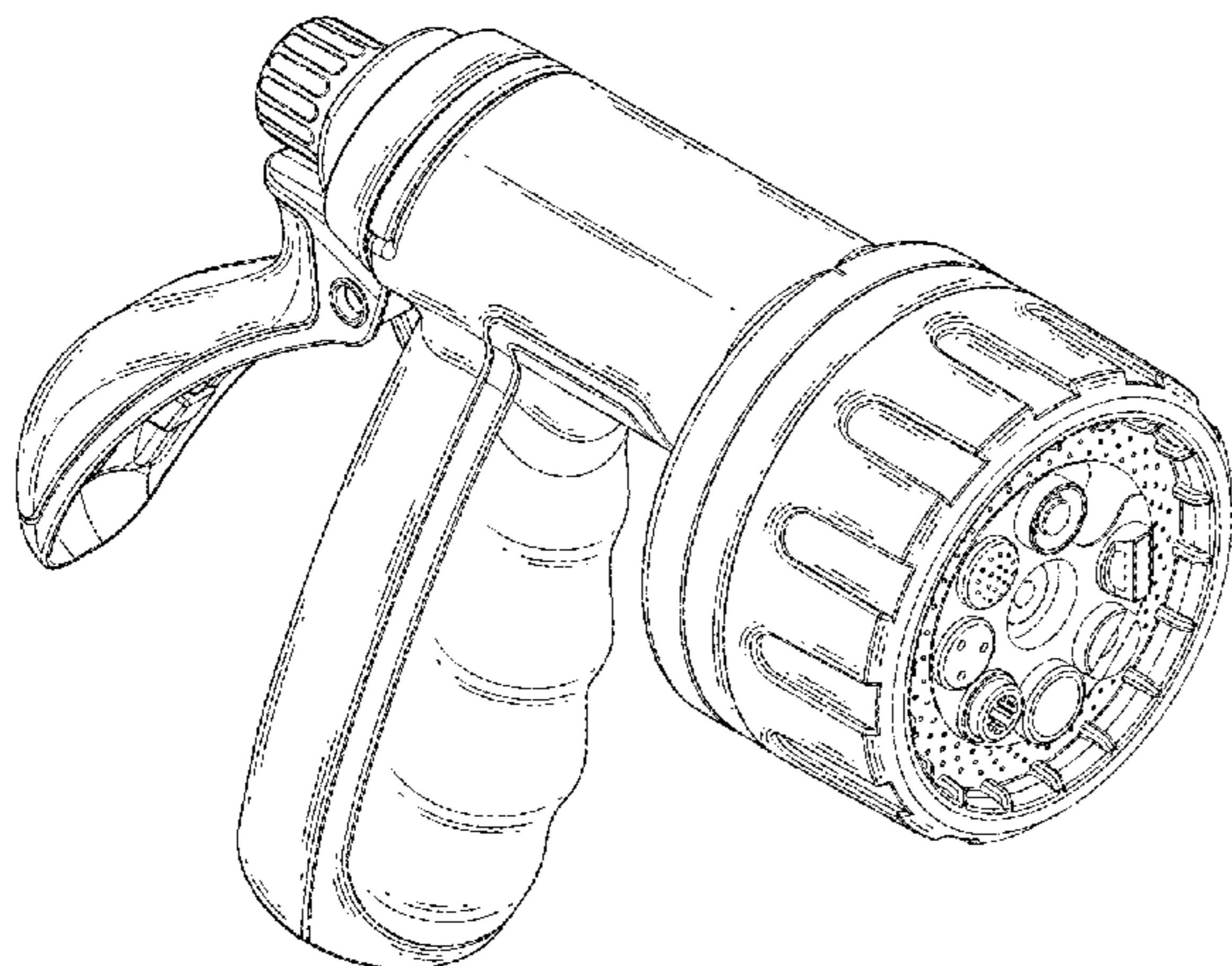
(57) **CLAIM**

The ornamental design for a gardening sprayer, as shown and described.

DESCRIPTION

FIG. 1 is a perspective view of a gardening sprayer showing my new design;
FIG. 2 is a front elevational view thereof;
FIG. 3 is a rear elevational view thereof;
FIG. 4 is a left side elevational view thereof;
FIG. 5 is a right side elevational view thereof;
FIG. 6 is a top plan view thereof; and,
FIG. 7 is a bottom plan view thereof.

1 Claim, 4 Drawing Sheets



(56)

References Cited

U.S. PATENT DOCUMENTS

2009/0224073 A1* 9/2009 Hsieh B05B 1/169
239/394
2013/0193236 A1* 8/2013 Ye B05B 9/01
239/526
2015/0028134 A1* 1/2015 Hung B05B 1/3046
239/526
2015/0034740 A1* 2/2015 Su B05B 12/0024
239/526
2018/0085763 A1* 3/2018 Leckner B05B 1/30

OTHER PUBLICATIONS

“Melnor 65042-AMZ Metal 2 Pack”, Aug. 2, 2019, Amazon, site visited Feb. 3, 2021: <https://www.amazon.ca/dp/B07NW5DXLQ/> (Year: 2019).*

“Orbit SunMate 3 Piece Nozzle Set”, Nov. 2, 2012, Amazon, Site visited Nov. 30, 2020: <https://www.amazon.ca/dp/B004RUBFN0/> (Year: 2012).*

* cited by examiner

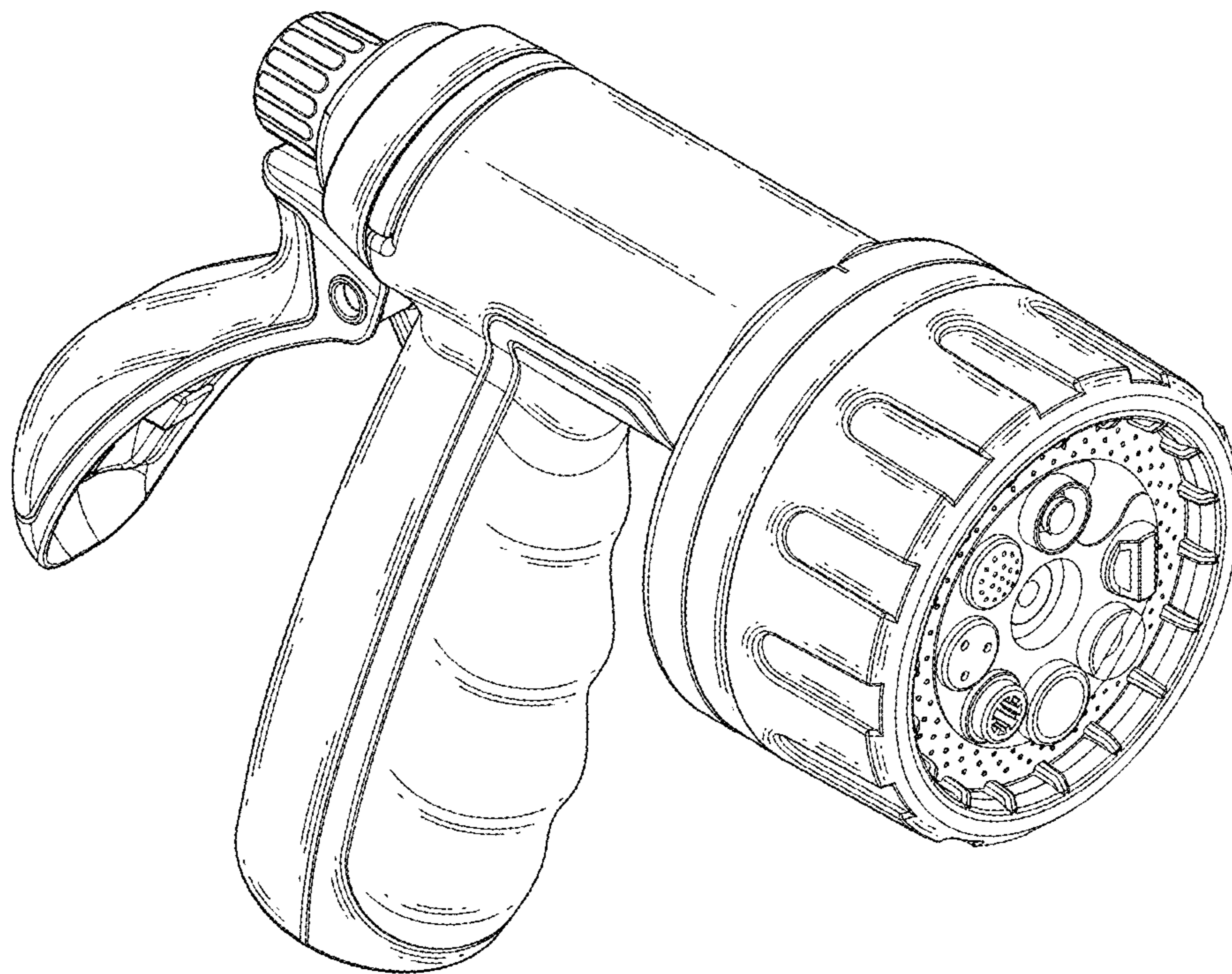


FIG.1

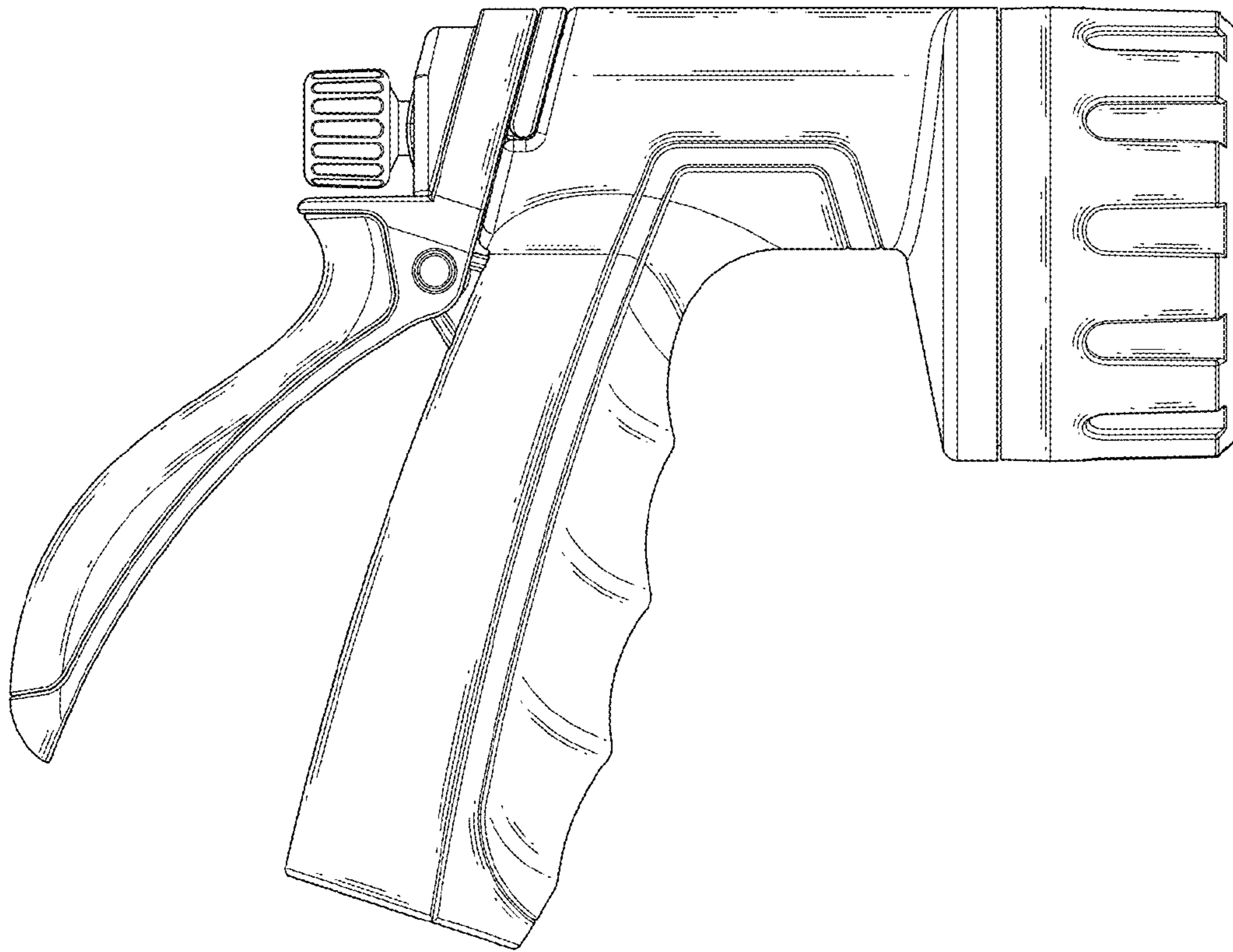


FIG. 2

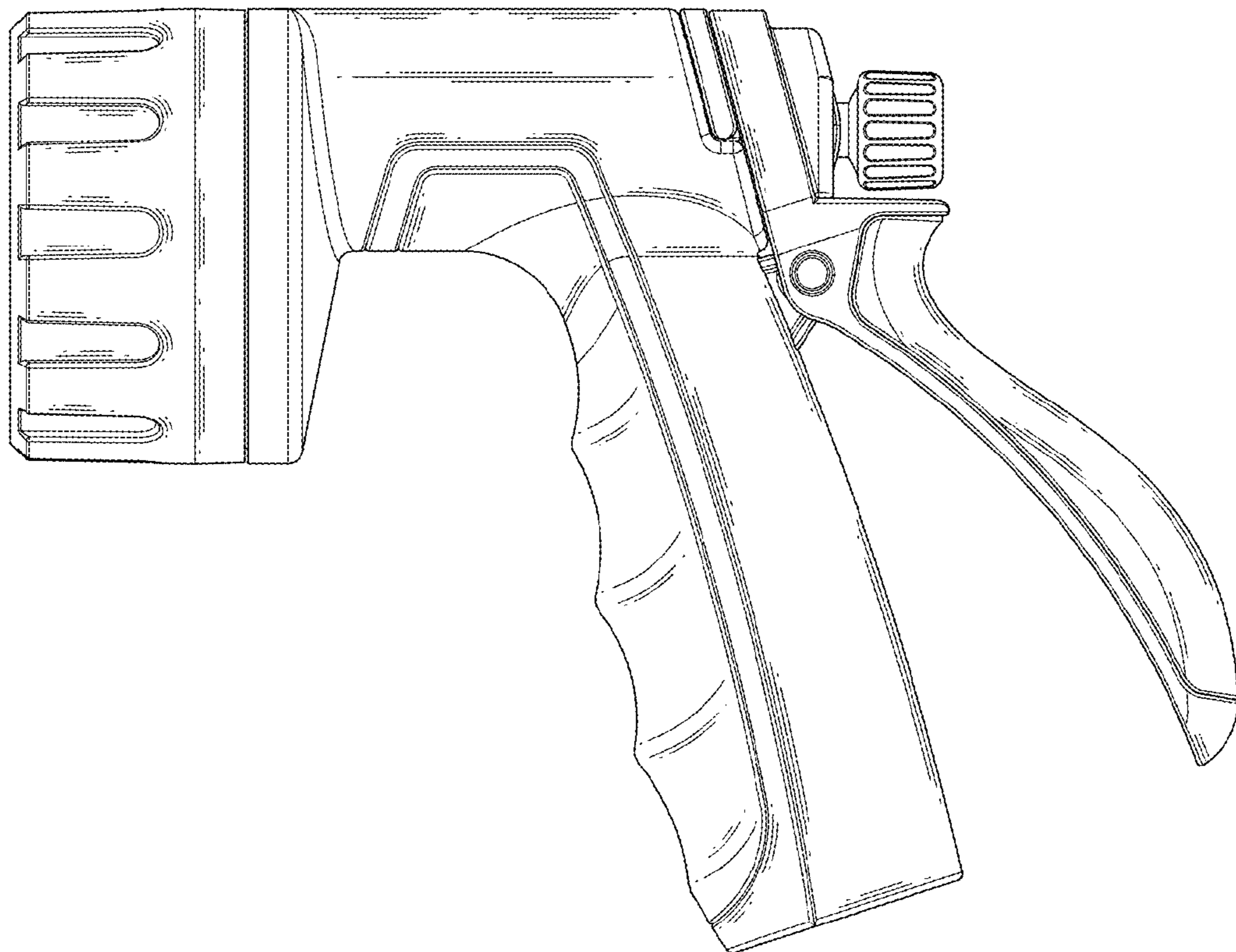


FIG. 3

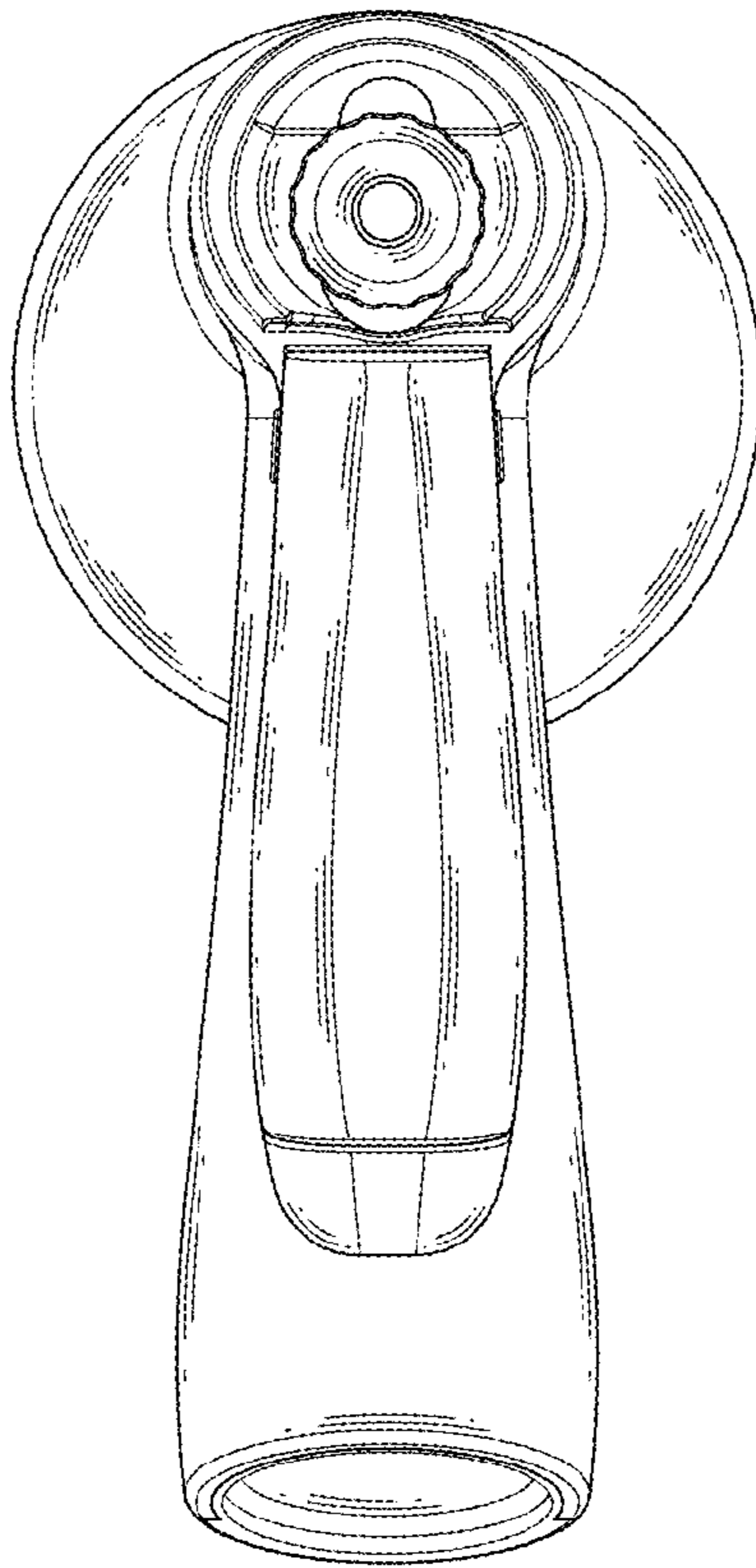


FIG. 4

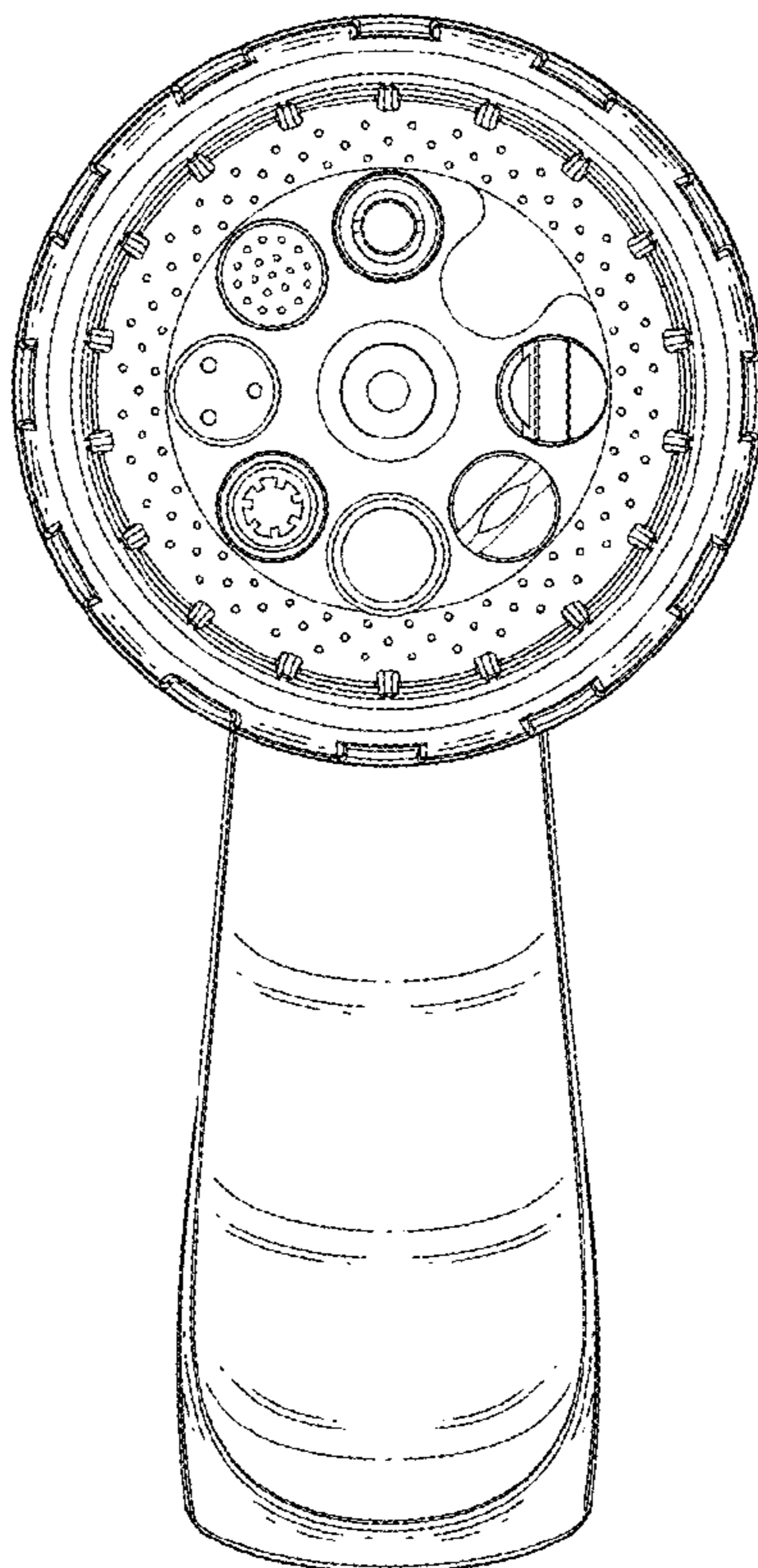


FIG. 5

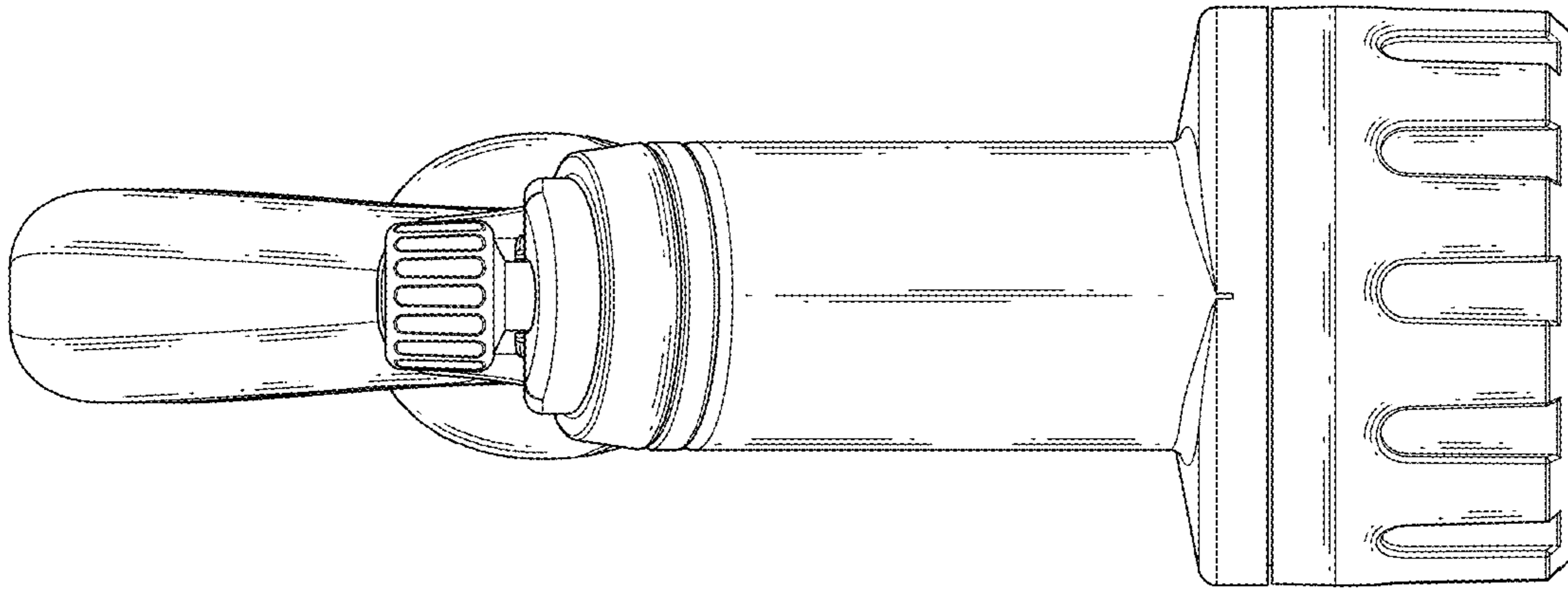


FIG.6

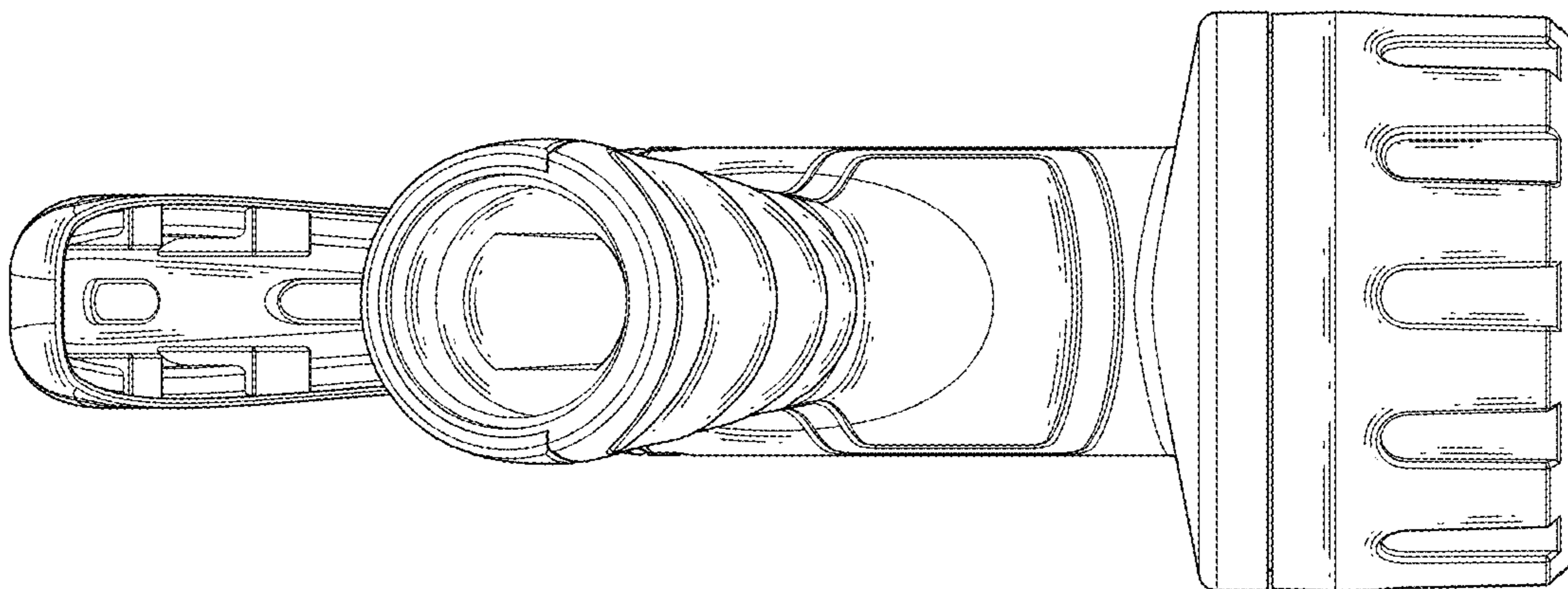


FIG.7