



US00D946116S

(12) **United States Design Patent**
Elser

(10) **Patent No.:** **US D946,116 S**
(45) **Date of Patent:** **** Mar. 15, 2022**

(54) **FAUCET SPRAYHEAD**
(71) Applicant: **DELTA FAUCET COMPANY,**
Indianapolis, IN (US)
(72) Inventor: **Simon Elser,** Indianapolis, IN (US)
(73) Assignee: **DELTA FAUCET COMPANY,**
Indianapolis, IN (US)
(**) Term: **15 Years**

2007/0267073 A1* 11/2007 Williams E03C 1/04
137/606
2012/0267455 A1* 10/2012 Hansen B05B 1/18
239/547
2014/0291419 A1* 10/2014 Pitsch E03C 1/084
239/437
2015/0184366 A1* 7/2015 Zhang B05B 1/1618
4/678
2018/0126393 A1* 5/2018 Wang B05B 1/185
2019/0145085 A1* 5/2019 Liao B05B 1/1609
137/801

(Continued)

(21) Appl. No.: **29/754,332**
(22) Filed: **Oct. 9, 2020**
(51) **LOC (13) Cl.** **23-01**
(52) **U.S. Cl.**
USPC **D23/226**
(58) **Field of Classification Search**
USPC D23/213, 223, 224, 226, 228, 229, 238,
D23/239, 240, 241, 242, 250
CPC B05B 1/16; B05B 1/1618; B05B 1/18;
E03C 1/0401; E03C 1/0405; E03C
1/0408; E03C 1/066; E03C 2001/0415
See application file for complete search history.

OTHER PUBLICATIONS

Pfister GT529WH1C Kitchen Faucet, Dec. 5, 2016, Amazon, site visited Nov. 1, 2021: <https://www.amazon.ca/dp/B01M6CLDJW/> (Year: 2016).*

(Continued)

Primary Examiner — Jack Reickel
Assistant Examiner — Bobby W Jones, II
(74) *Attorney, Agent, or Firm* — Nirav D. Parikh; Edgar A. Zarins

(56) **References Cited**

U.S. PATENT DOCUMENTS

D188,644 S * 8/1960 Kohler D23/229
D189,117 S * 10/1960 Kohler D23/229
D583,015 S * 12/2008 Soriano D23/249
D791,920 S * 7/2017 Fritz D23/242
D802,091 S * 11/2017 Bahler D23/226
10,005,090 B1 * 6/2018 Wang B05B 1/185
D840,511 S * 2/2019 Garland D23/242
D860,392 S * 9/2019 Garland D23/238
D870,235 S * 12/2019 Tentler D23/213
D870,845 S * 12/2019 Eads D23/213
D881,341 S * 4/2020 Garland D23/213
D930,118 S * 9/2021 Elser D23/238
2004/0144866 A1 * 7/2004 Nelson B05B 1/16
239/436

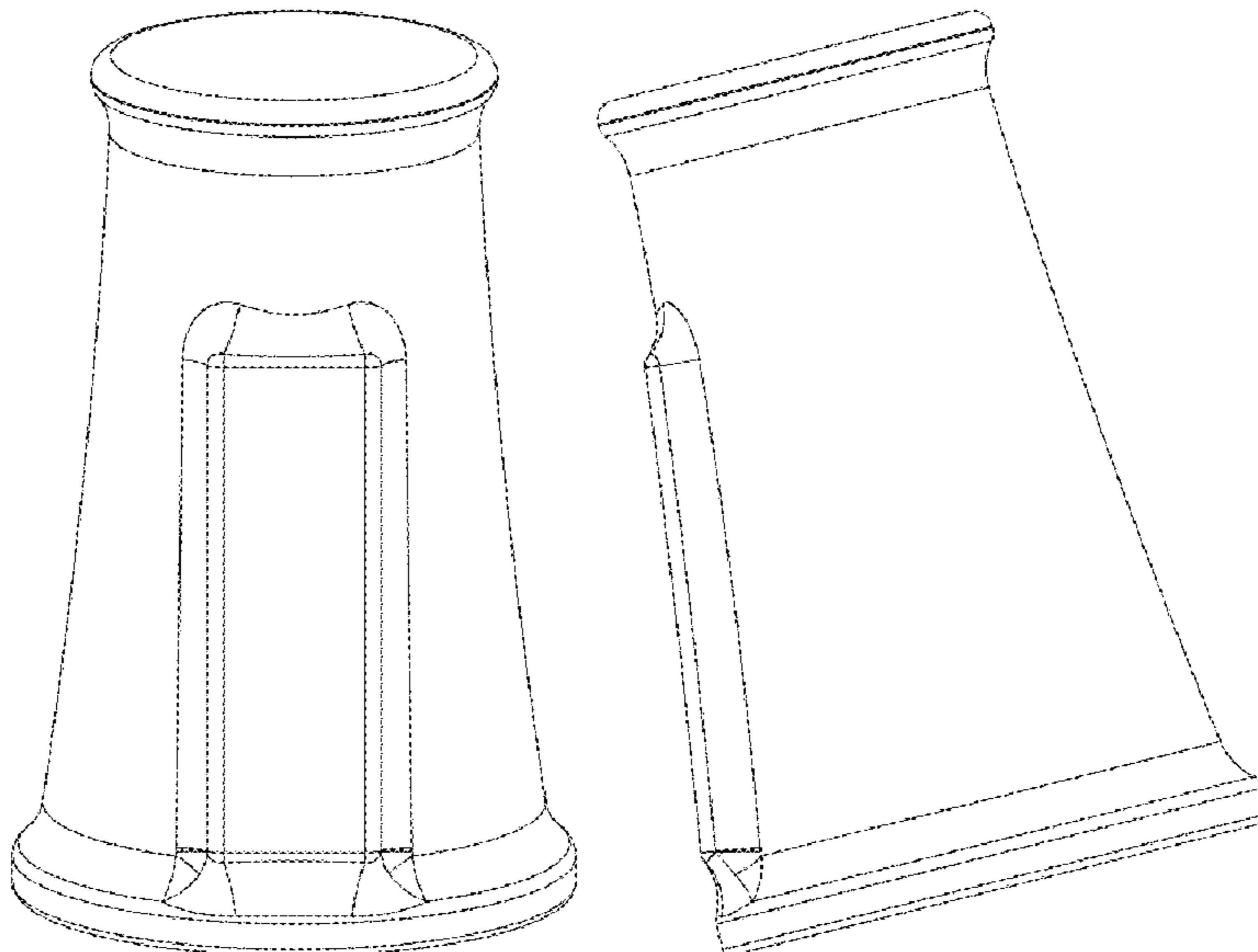
(57) **CLAIM**

The ornamental design for a faucet sprayhead, as shown and described.

DESCRIPTION

FIG. 1 is a front perspective view of a faucet sprayhead showing my new design;
FIG. 2 is a rear perspective view thereof;
FIG. 3 is a front elevational view thereof;
FIG. 4 is a left side view thereof;
FIG. 5 is a rear view thereof;
FIG. 6 is a right side view thereof;
FIG. 7 is a top plan view thereof; and,
FIG. 8 is a bottom view thereof.

1 Claim, 4 Drawing Sheets



(56)

References Cited

U.S. PATENT DOCUMENTS

2019/0184409 A1* 6/2019 Wang B05B 1/3013
2021/0277637 A1* 9/2021 Wu E03C 1/0405

OTHER PUBLICATIONS

MOEN Noell Kitchen Faucet, Feb. 7, 2018, Amazon, site visited
Nov. 1, 2021: <https://www.amazon.ca/dp/B079LG5WXD/> (Year:
2018).*

* cited by examiner

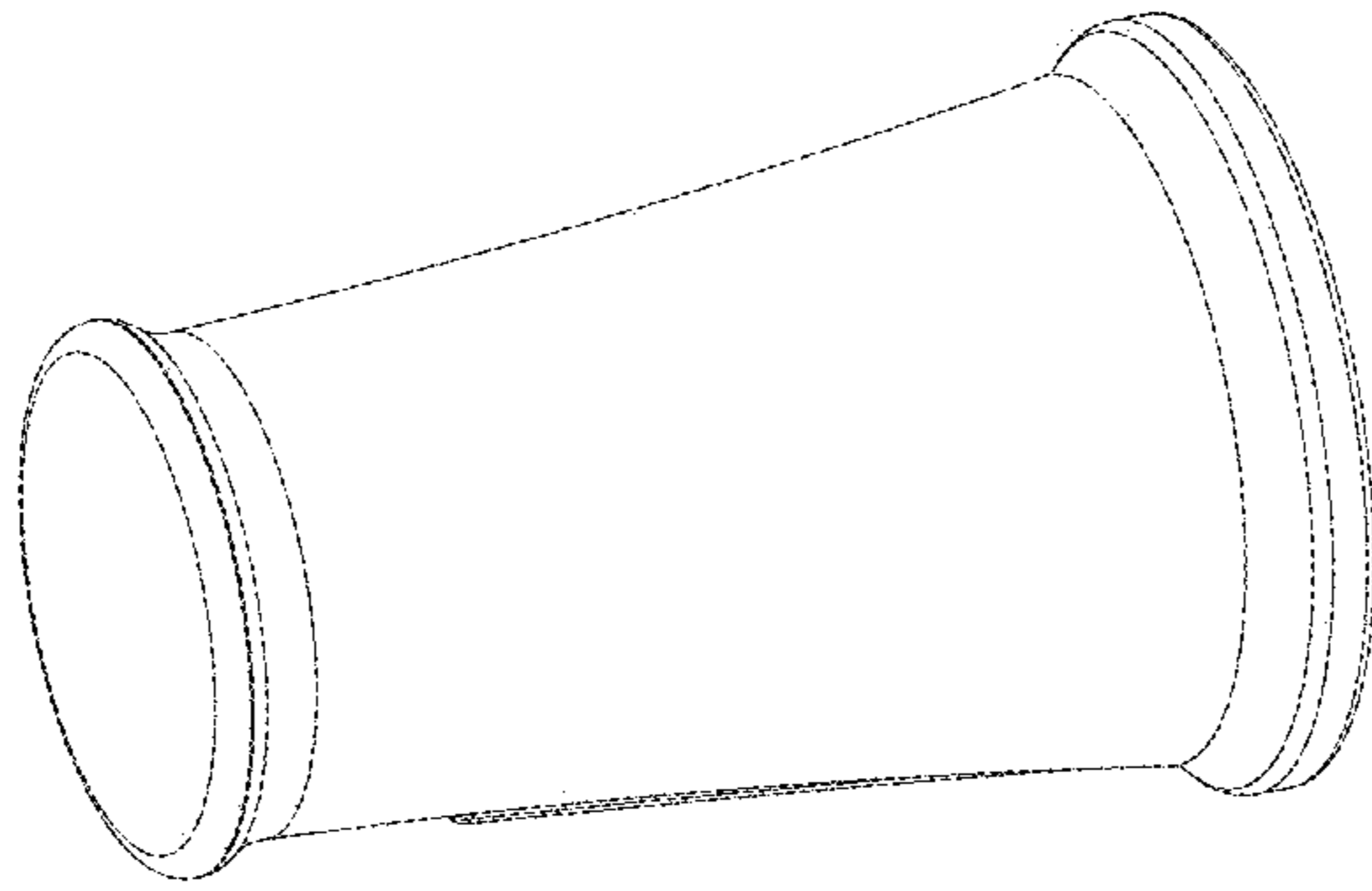


FIG - 2

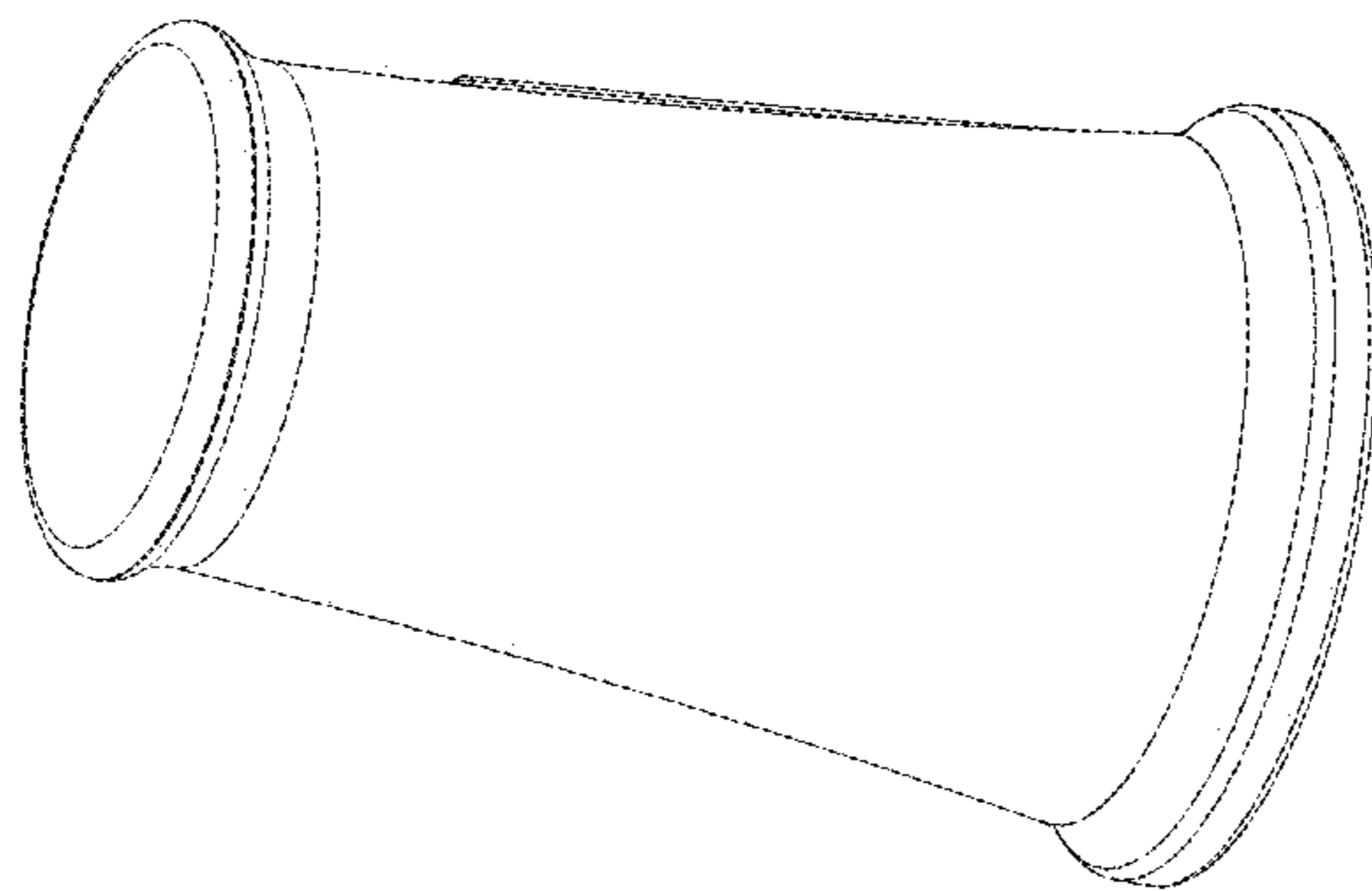


FIG - 1

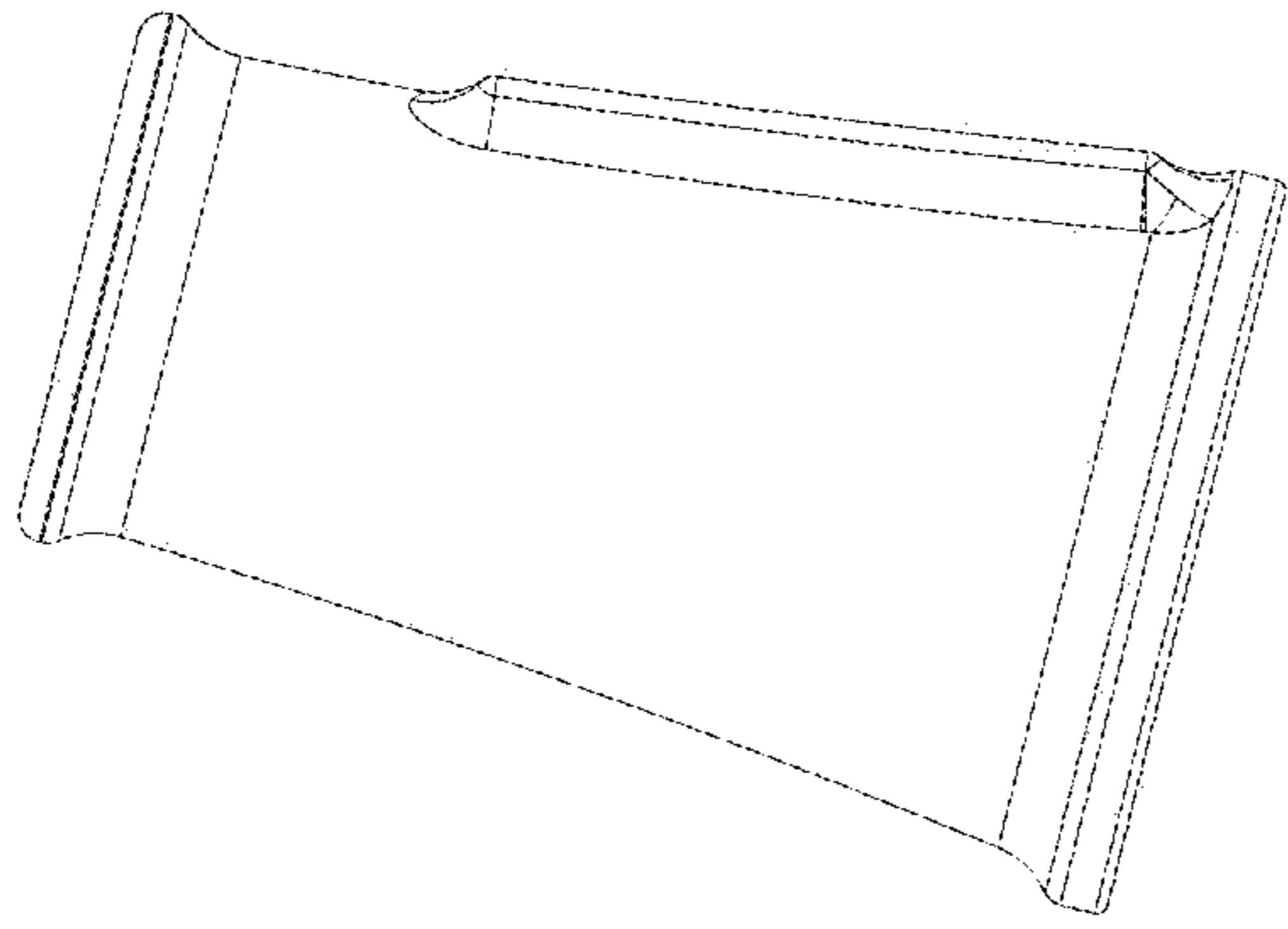


FIG - 4

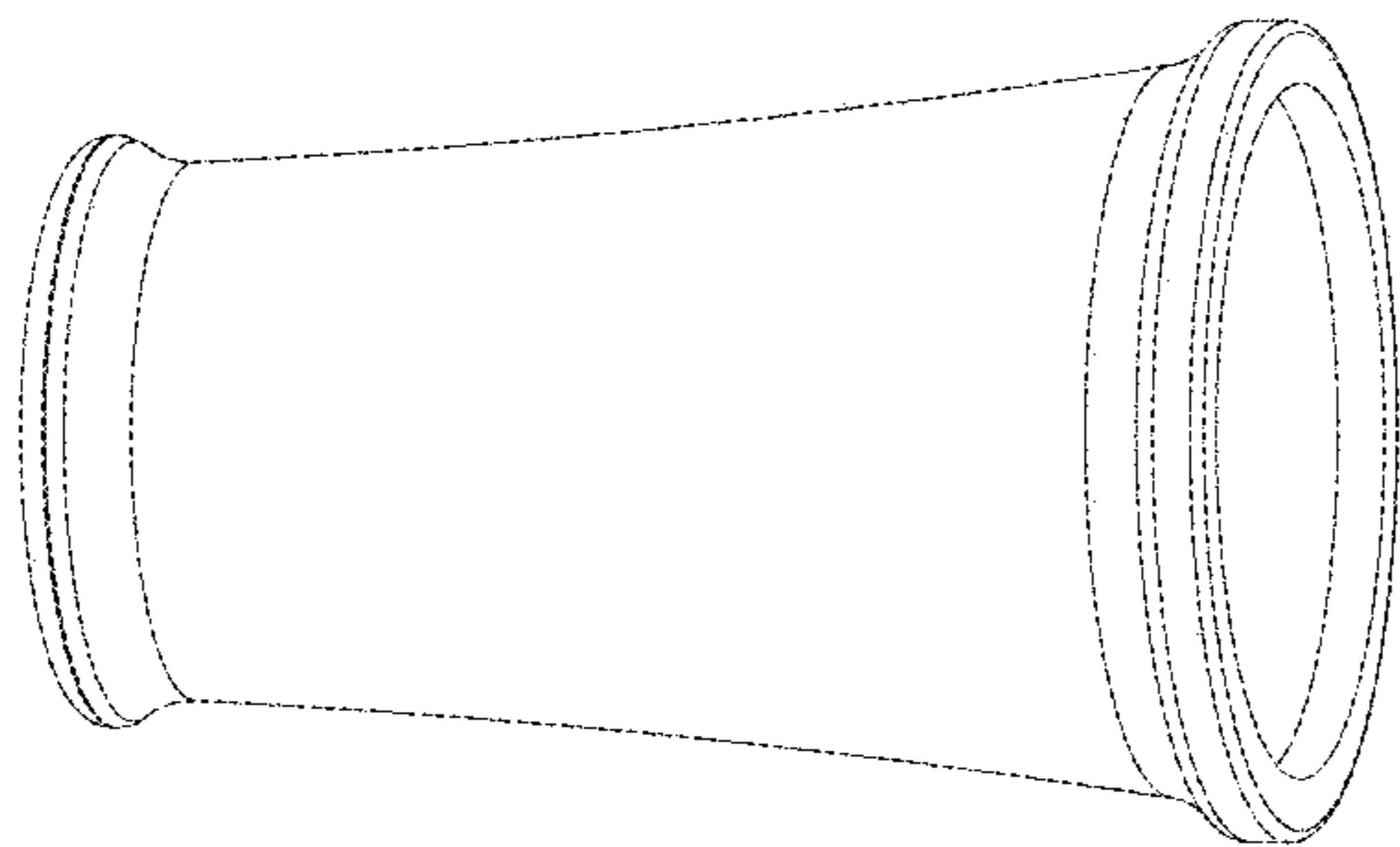


FIG - 3

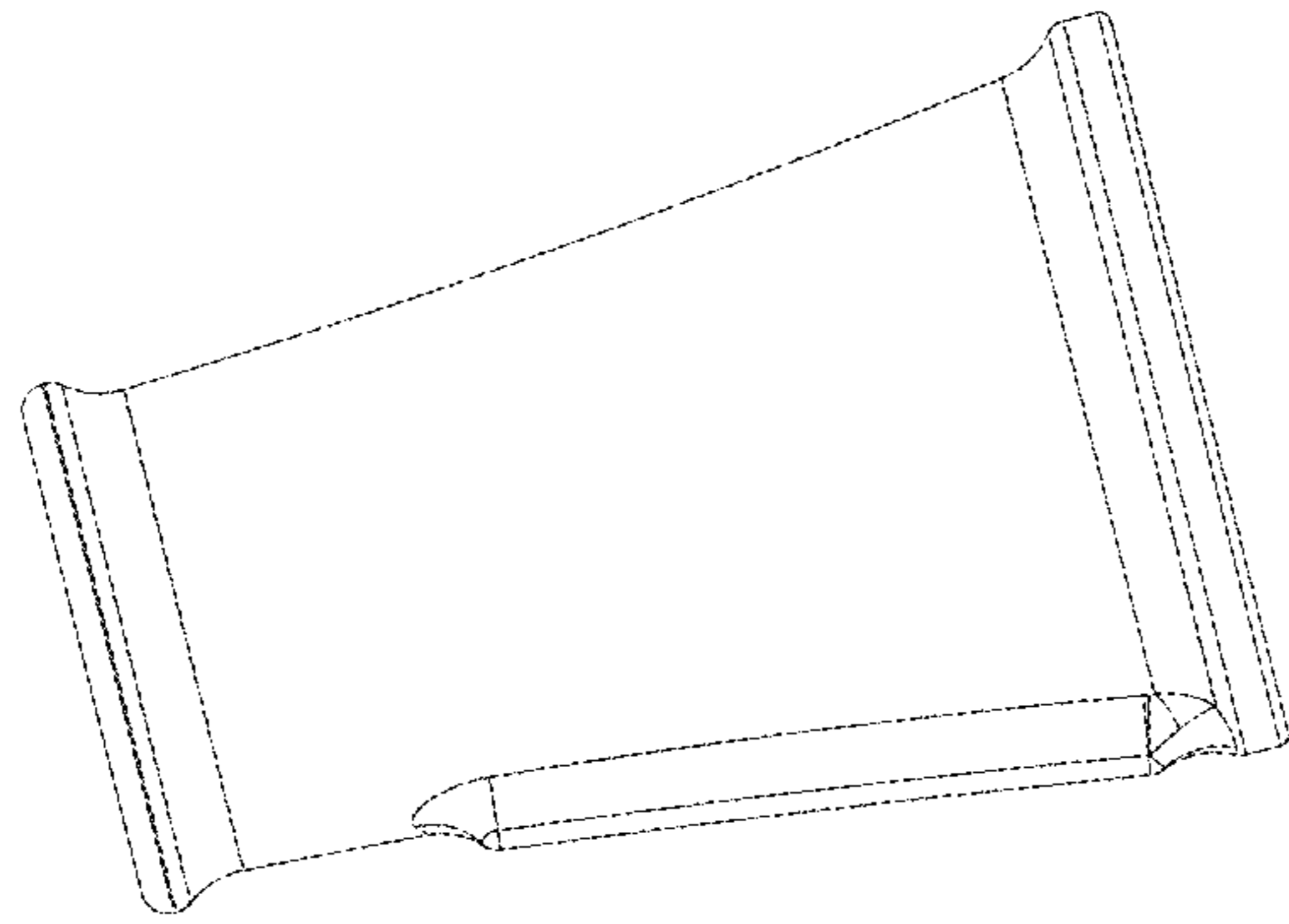


FIG - 6

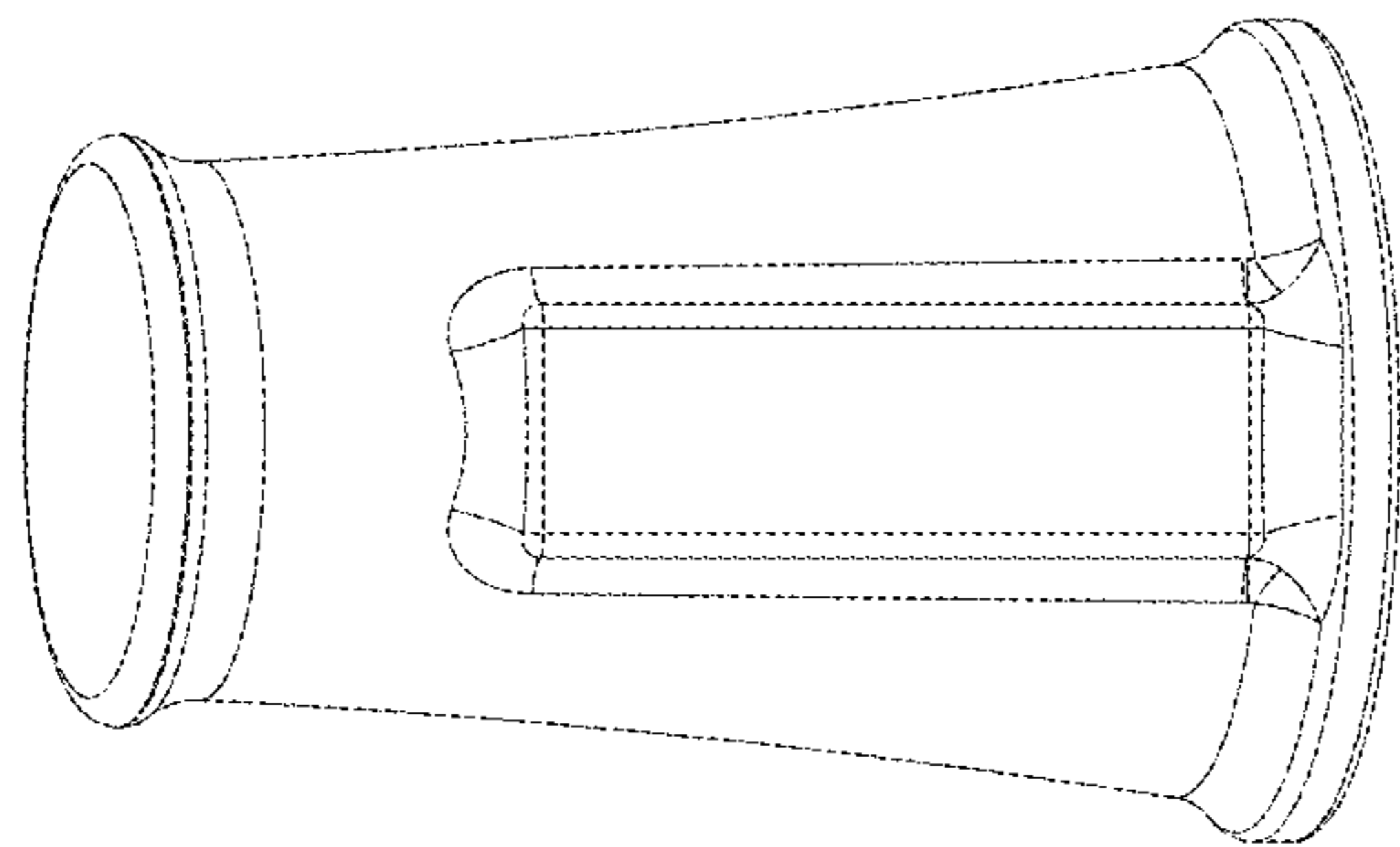


FIG - 5

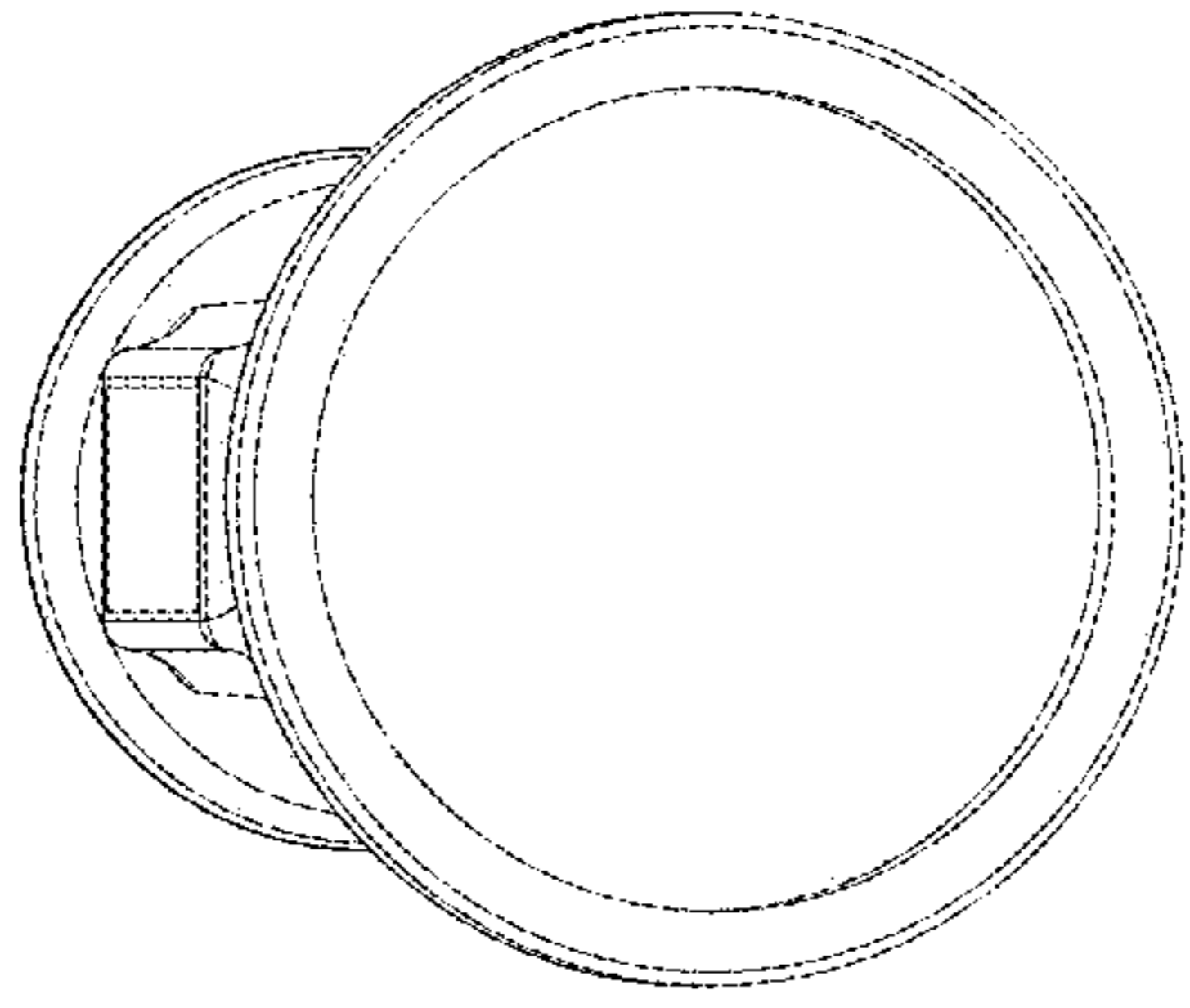


FIG - 8

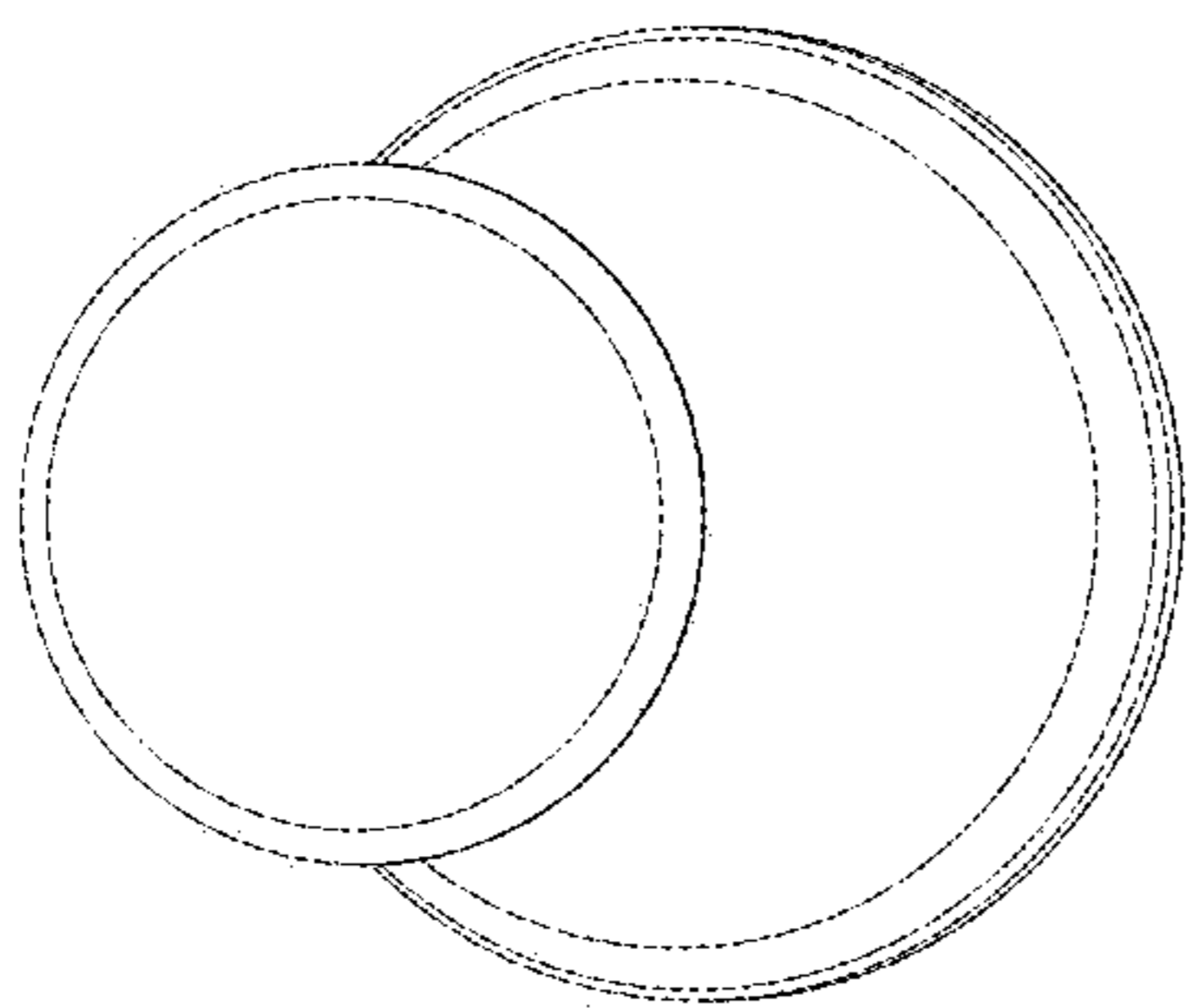


FIG - 7