



US00D946115S

(12) **United States Design Patent**
Stoler

(10) **Patent No.:** **US D946,115 S**

(45) **Date of Patent:** **** Mar. 15, 2022**

- (54) **FAUCET SPRAYER**
- (71) Applicant: **DELTA FAUCET COMPANY**,
Indianapolis, IN (US)
- (72) Inventor: **Benjamin Stoler**, Carmel, IN (US)
- (73) Assignee: **DELTA FAUCET COMPANY**,
Indianapolis, IN (US)
- (**) Term: **15 Years**
- (21) Appl. No.: **29/745,962**
- (22) Filed: **Aug. 11, 2020**
- (51) **LOC (13) Cl.** **23-01**
- (52) **U.S. Cl.**
USPC **D23/226**
- (58) **Field of Classification Search**
USPC D23/213, 214, 223, 226, 228, 229, 230,
D23/238, 239, 240, 241, 242, 249, 250,
D23/255, 257
CPC B05B 1/16; B05B 1/1618; B05B 1/18;
B05B 1/185; B05B 15/62; B05B 15/652;
F16K 31/60; F16K 31/607; E03C 1/02;
E03C 1/04; E03C 1/0401; E03C 1/0402;
E03C 1/0404; E03C 1/0405; E03C
1/0408; E03C 1/06; E03C 1/063; E03C
1/066; E03C 2001/0414; E03C
2001/0415; Y10T 137/9464
See application file for complete search history.

- (56) **References Cited**
U.S. PATENT DOCUMENTS
3,333,284 A * 8/1967 Symmons E03C 1/06
4/670
D426,873 S * 6/2000 Milrud D23/255
D464,714 S * 10/2002 Lord D23/255
D520,609 S * 5/2006 Spangler D23/255
D522,614 S * 6/2006 Ko D23/213
D569,485 S * 5/2008 Daunter D23/241
D583,908 S * 12/2008 Downey D23/238

- D586,429 S * 2/2009 Fritz D23/238
- D713,508 S * 9/2014 Downey D23/238
- D802,091 S * 11/2017 Bahler D23/226
- D810,875 S * 2/2018 Bahler D23/238
- 10,234,049 B1 * 3/2019 He E03C 1/0403
- D870,845 S * 12/2019 Eads D23/213
- D872,234 S * 1/2020 Staler D23/238
- 2004/0144866 A1 * 7/2004 Nelson B05B 1/16
239/436
- 2007/0235570 A1 * 10/2007 Beh E03C 1/0404
239/600
- 2013/0039693 A1 * 2/2013 Chang E03C 1/0404
403/299

(Continued)

OTHER PUBLICATIONS

Delta 1996Z-RBSD-DST, Jul. 8, 2018, Amazon, site visited Aug. 2, 2021: <https://www.amazon.com/dp/B07DQD1SH8/> (Year: 2018).*

(Continued)

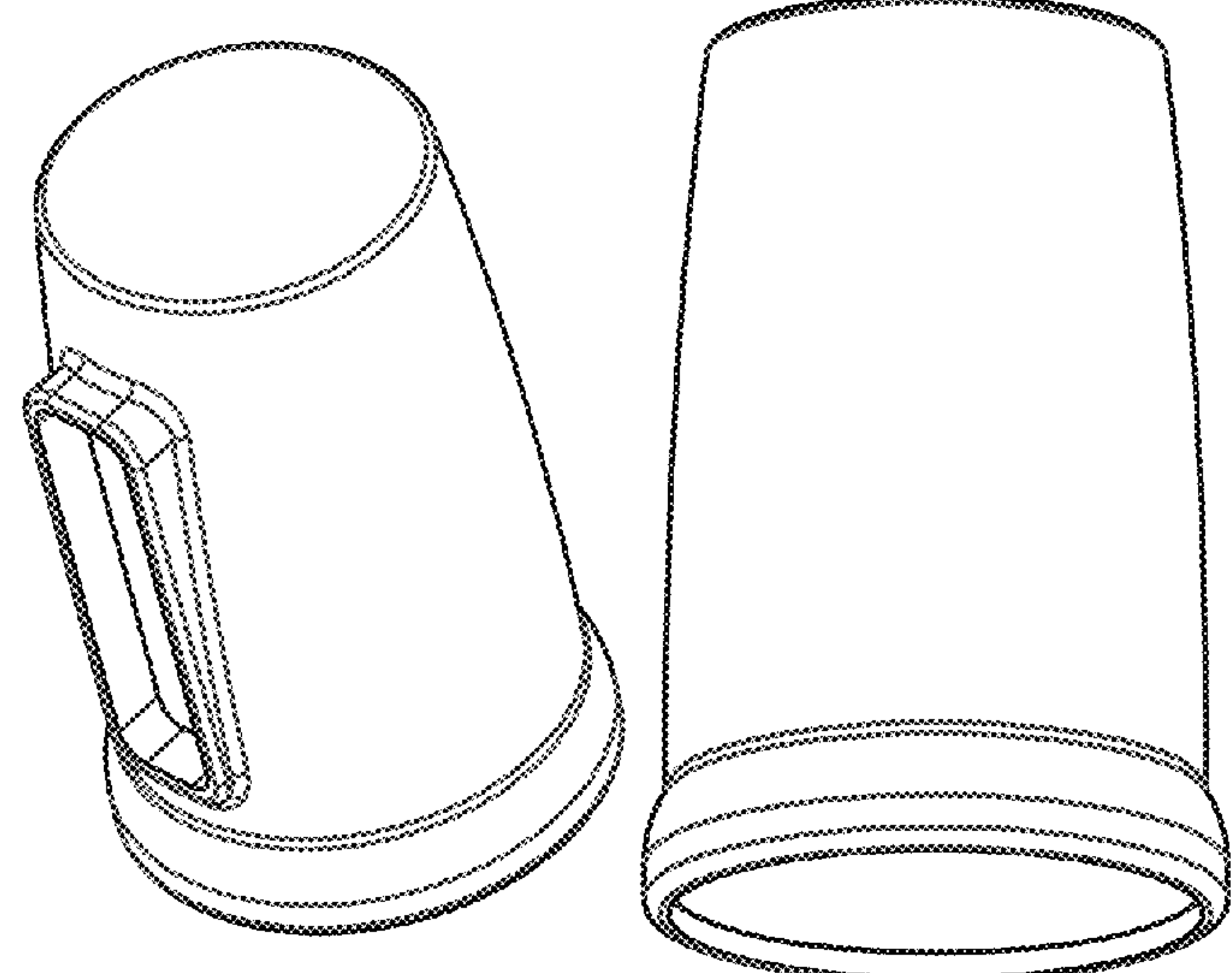
Primary Examiner — Jack Reickel
Assistant Examiner — Bobby W Jones, II
(74) *Attorney, Agent, or Firm* — Nirav D. Parikh; Edgar A. Zarins

(57) **CLAIM**
The ornamental design for a faucet sprayer, as shown and described.

DESCRIPTION

FIG. 1 is a front perspective view of a faucet sprayer showing my new design;
FIG. 2 is a rear perspective view thereof;
FIG. 3 is a front elevational view thereof;
FIG. 4 is a left side view thereof;
FIG. 5 is a rear view thereof;
FIG. 6 is a right side view thereof;
FIG. 7 is a top plan view thereof; and,
FIG. 8 is a bottom view thereof.

1 Claim, 4 Drawing Sheets



(56)

References Cited

U.S. PATENT DOCUMENTS

2014/0159362 A1* 6/2014 Meehan B05B 1/00
285/320
2015/0184366 A1* 7/2015 Zhang B05B 1/1618
4/678
2015/0353391 A1* 12/2015 Wang C02F 1/78
210/136
2017/0292252 A1* 10/2017 Mu E03C 1/04
2019/0085538 A1* 3/2019 Chang F16K 5/08

OTHER PUBLICATIONS

Moen 87090MSRS, Feb. 21, 2014, Amazon, site visited Aug. 2, 2021: <https://www.amazon.com/dp/B00IKVFHTA/> (Year: 2014).*
MOEN Noell Single-Handle Pull-Down Sprayer, Feb. 5, 2018, Amazon, site visited Aug. 2, 2021: <https://www.amazon.com/dp/B079LG5WXD/> (Year: 2018).*

* cited by examiner

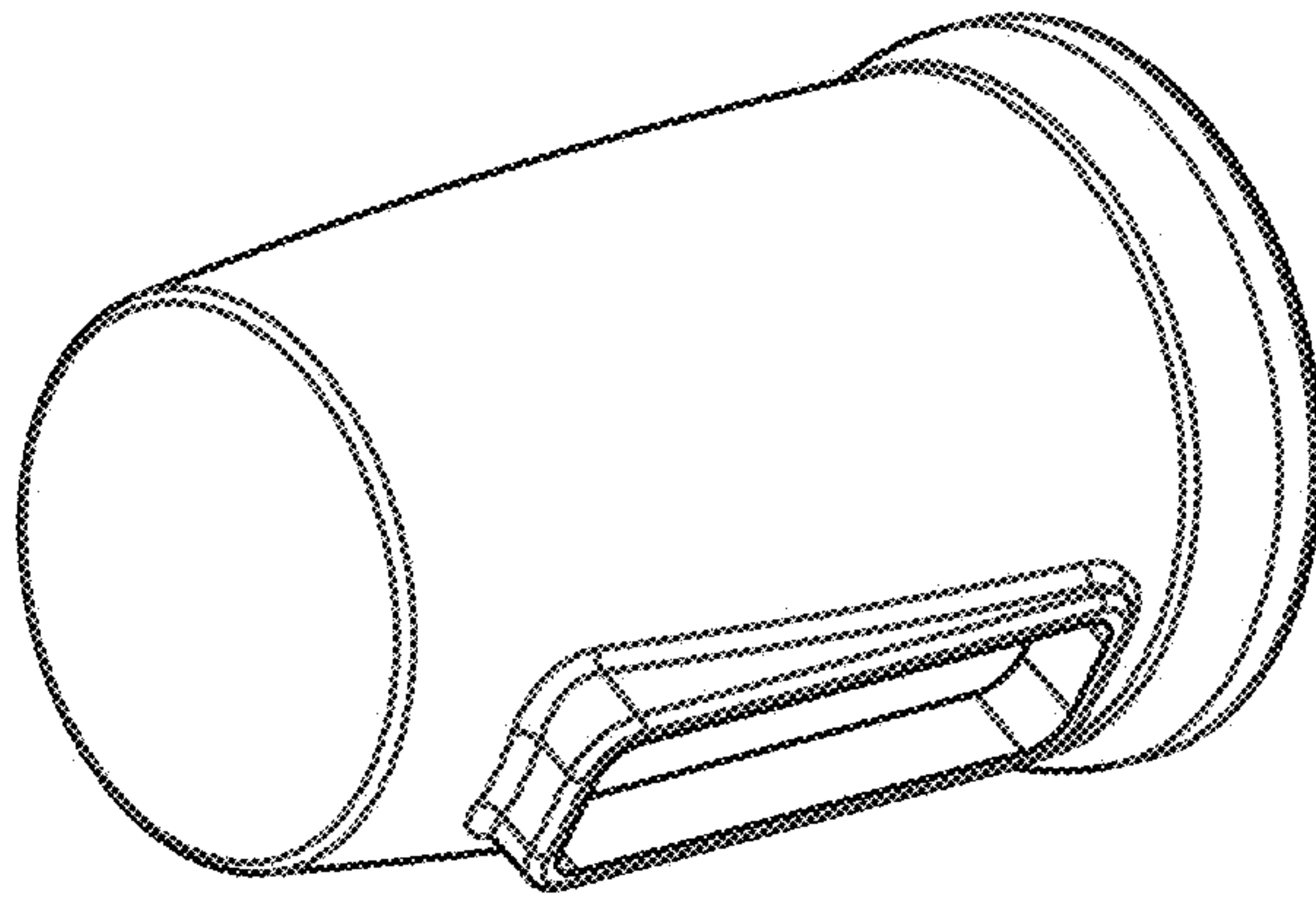


FIG - 1

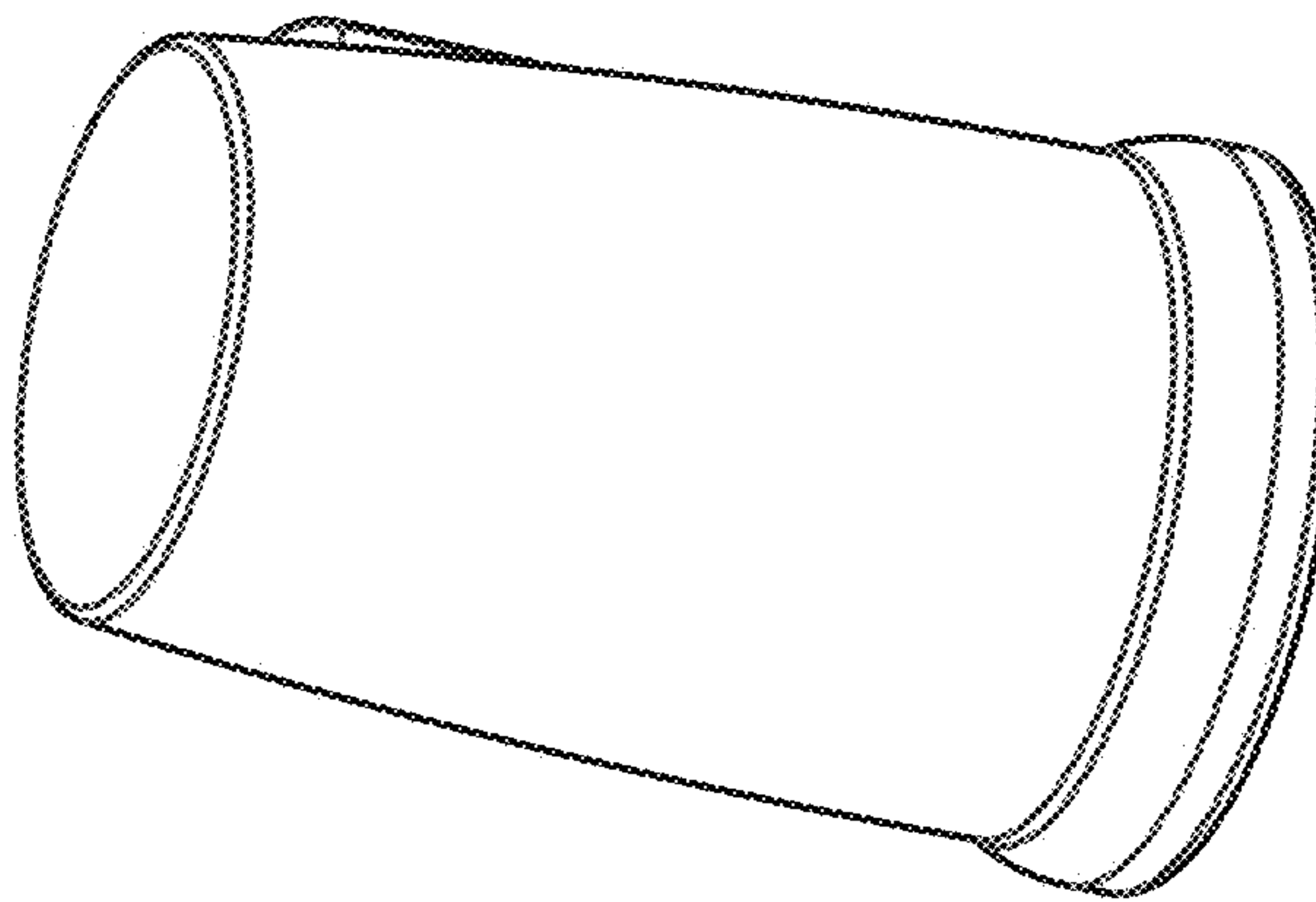


FIG - 2

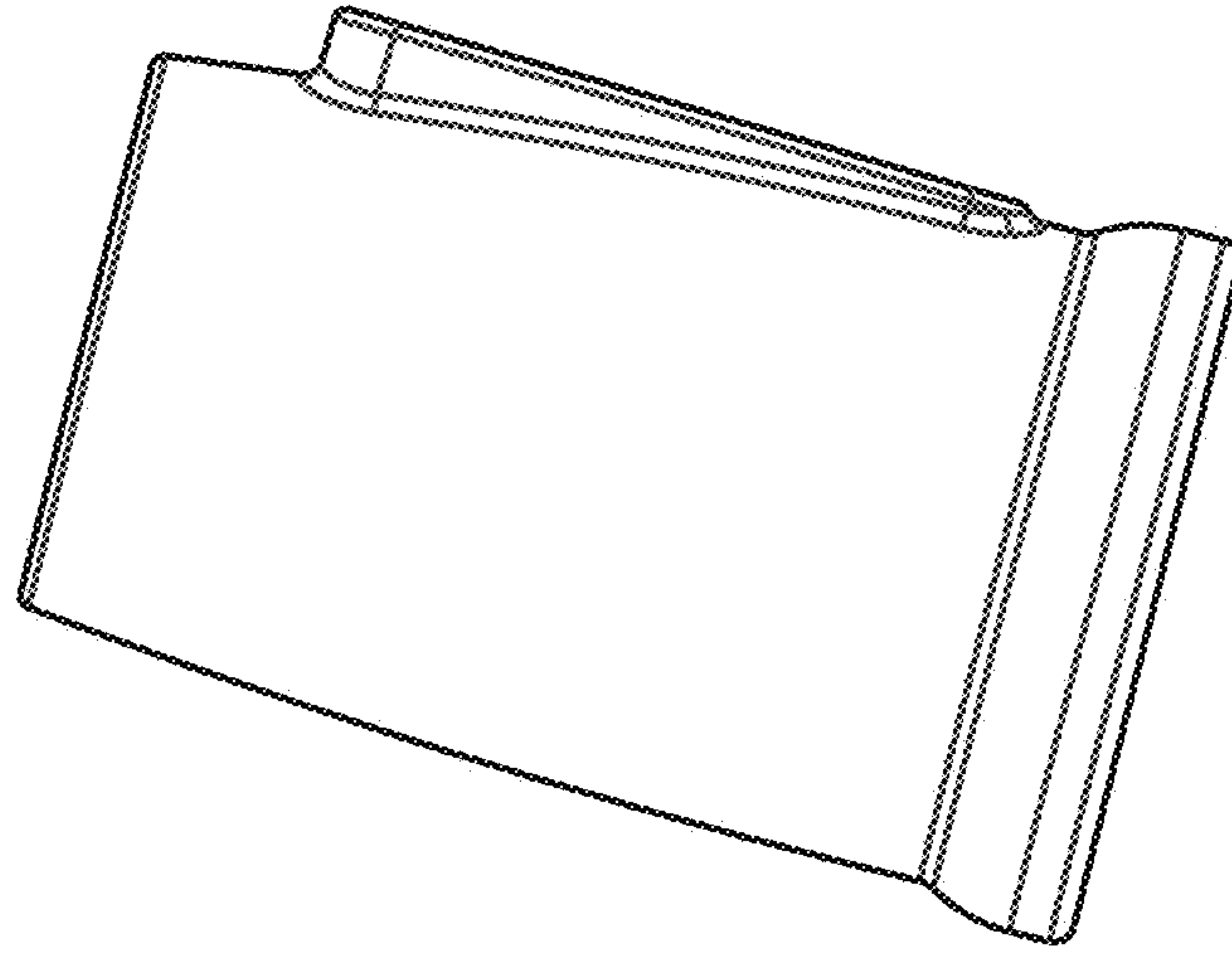


FIG - 4

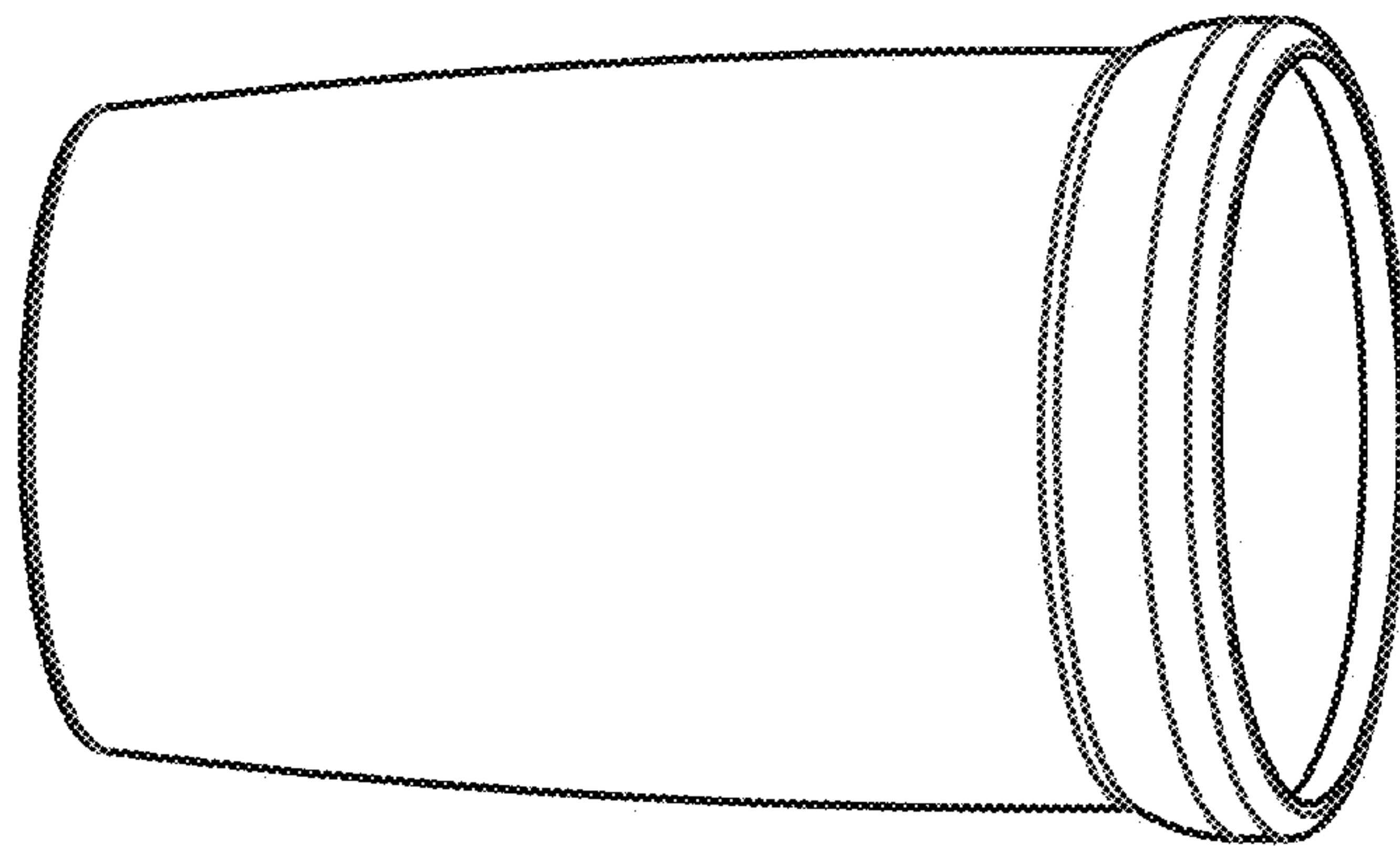


FIG - 3

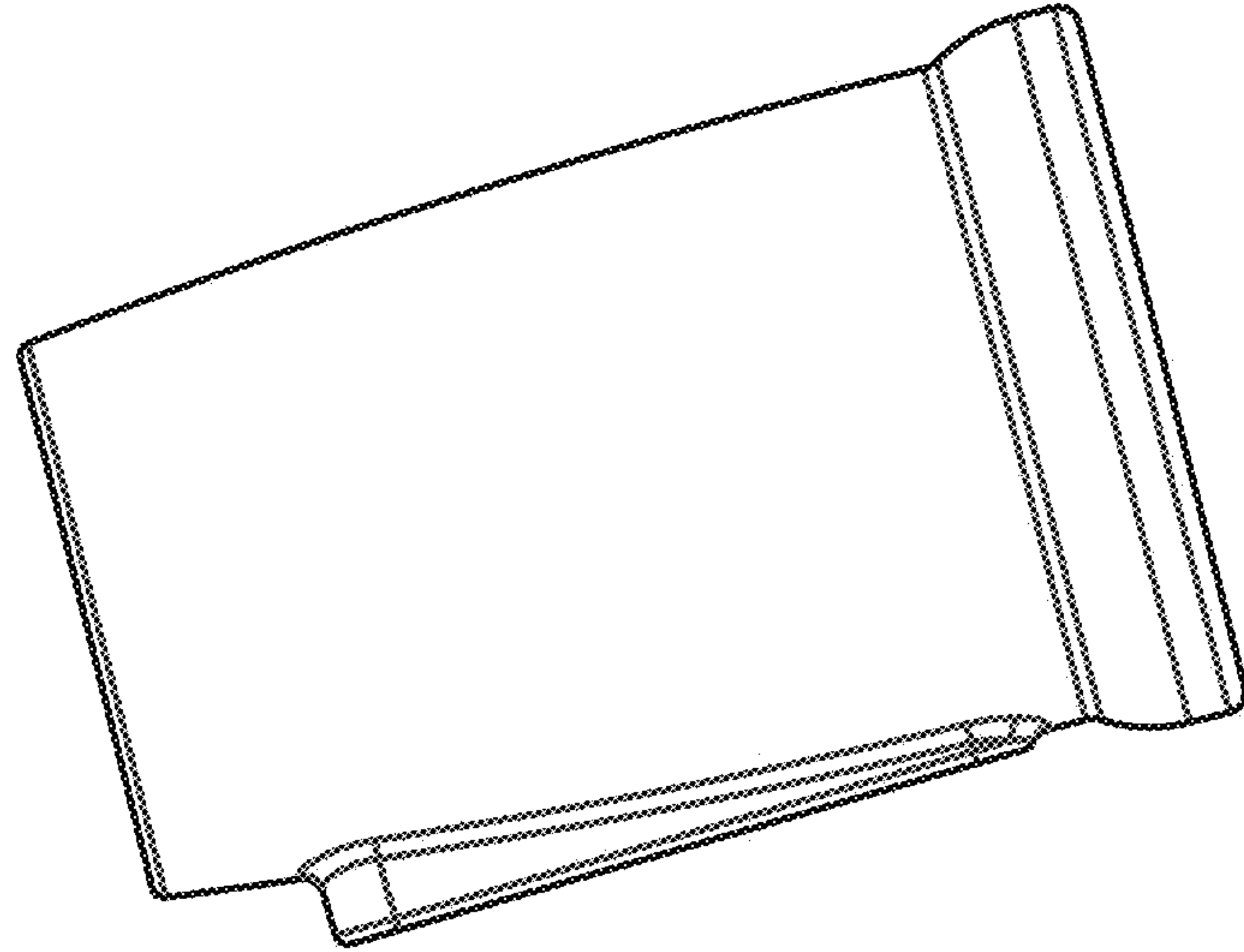


FIG - 6

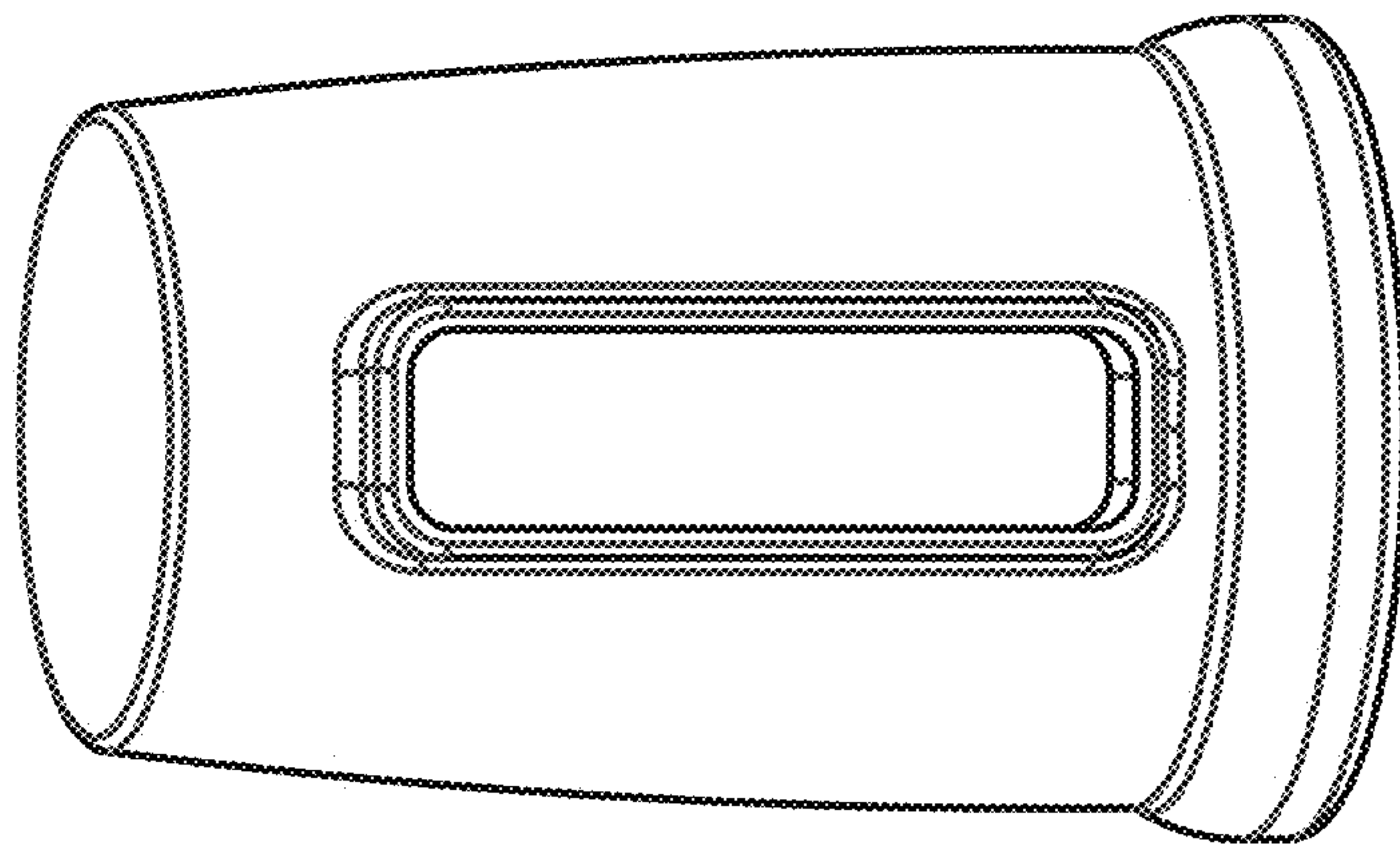


FIG - 5

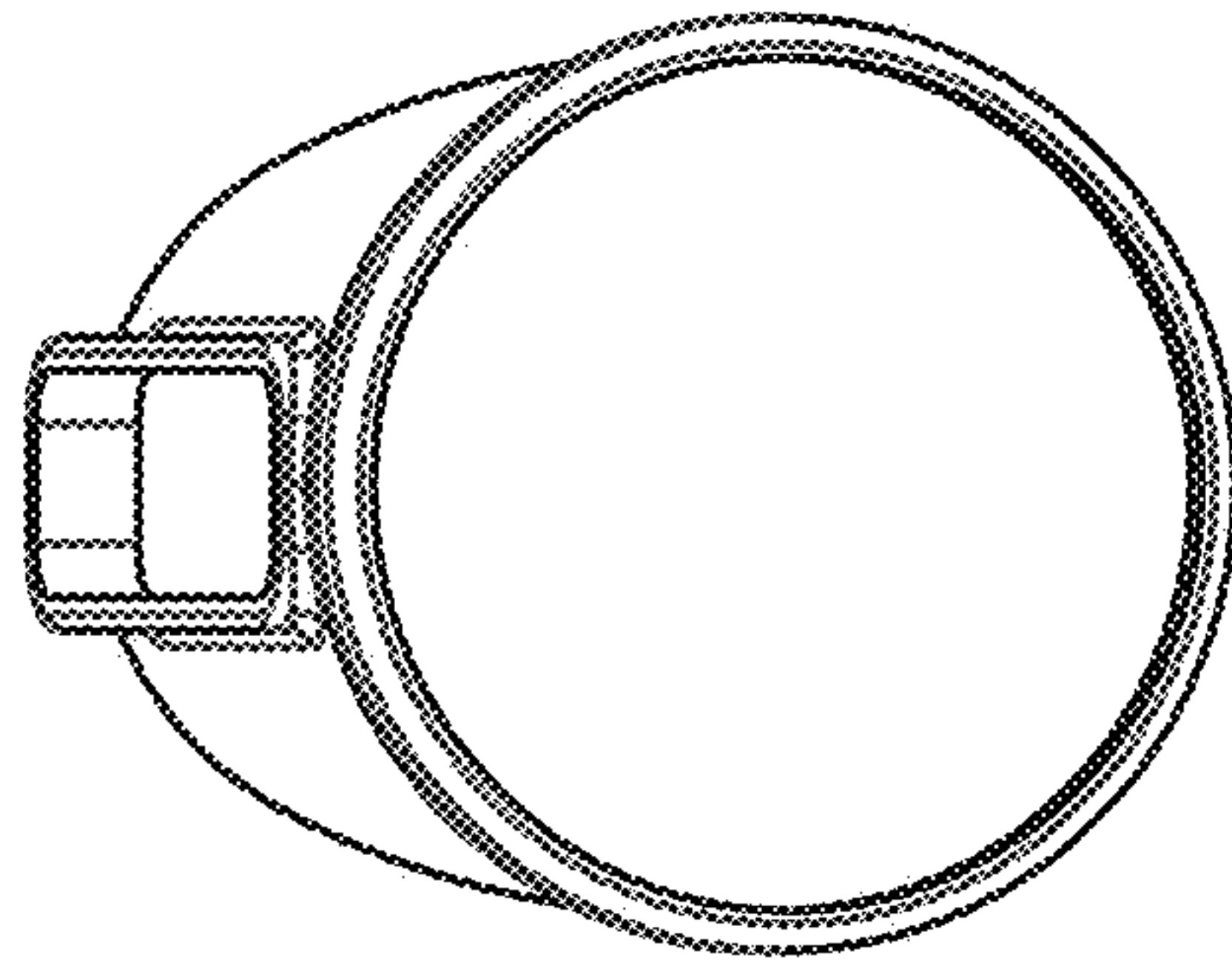


FIG - 8

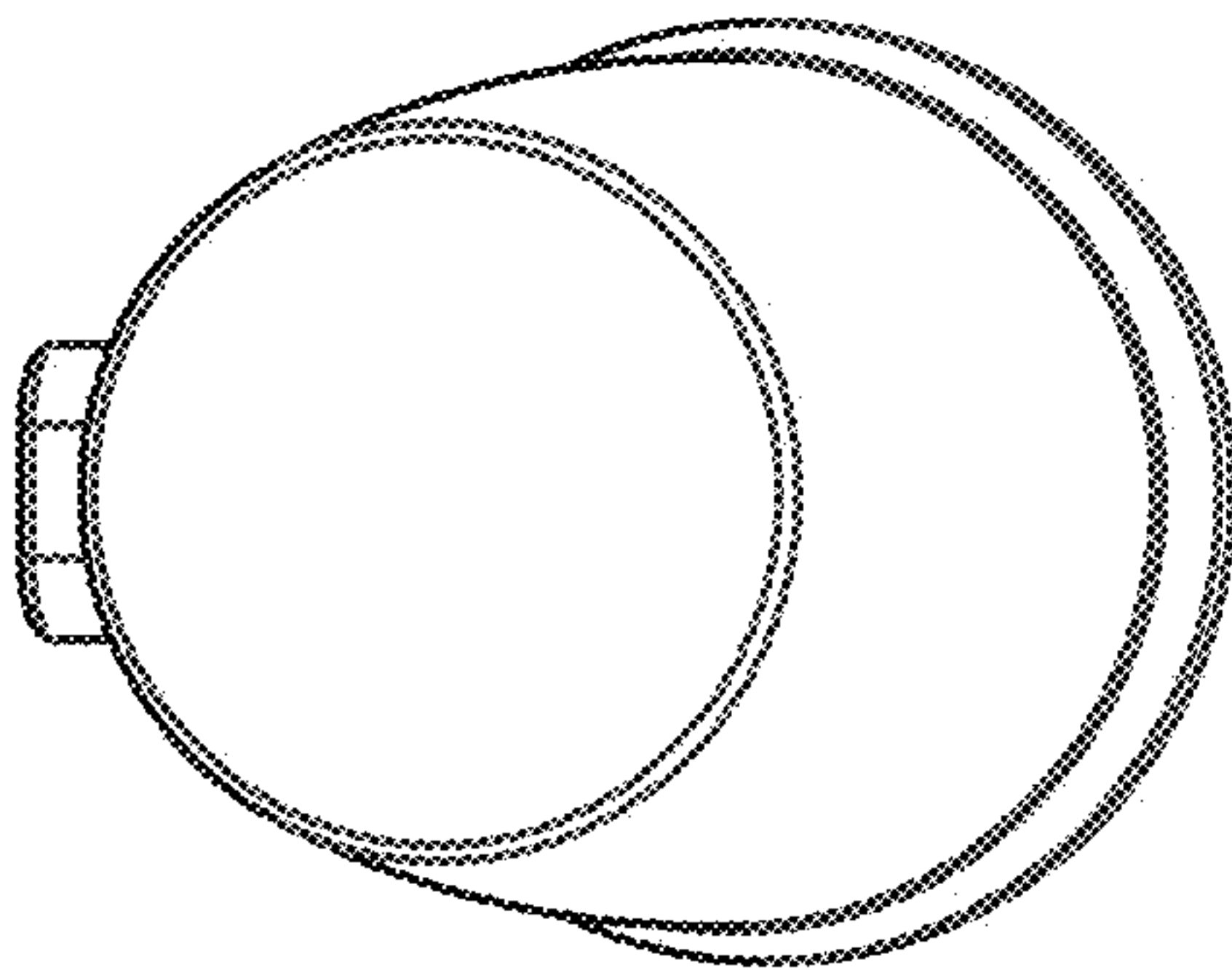


FIG - 7