



US00D946114S

(12) **United States Design Patent** (10) **Patent No.:** **US D946,114 S**
Sides (45) **Date of Patent:** **** Mar. 15, 2022**

(54) **HANDHELD SPRAYER**
(71) Applicant: **SANOTECH 360, LLC**, Fort Worth, TX (US)
(72) Inventor: **Michael L. Sides**, Fort Worth, TX (US)
(73) Assignee: **SanoTech 360, LLC**, Fort Worth, TX (US)

D857,162 S * 8/2019 Dawson D23/225
D869,107 S * 12/2019 Israel D32/17
D891,382 S * 7/2020 Koppa D13/182
D905,821 S * 12/2020 Ciura D23/223
10,870,120 B2 * 12/2020 Ruda B05B 7/2435
10,913,079 B2 * 2/2021 Wenzel B05B 1/34
D918,341 S * 5/2021 Wang D23/225
D922,523 S * 6/2021 Havlovitz D23/223
D923,748 S * 6/2021 Lo D23/225
D926,930 S * 8/2021 Camille D23/225

(Continued)

(**) Term: **15 Years**

OTHER PUBLICATIONS

(21) Appl. No.: **29/694,699**
(22) Filed: **Jun. 12, 2019**
(51) **LOC (13) Cl.** **23-01**
(52) **U.S. Cl.**
USPC **D23/226**
(58) **Field of Classification Search**
USPC D23/207, 213, 214, 215, 223, 224, 225,
D23/226, 229, 230
CPC A61H 9/0021; A61H 33/00; B05B 1/00;
B05B 1/14; B05B 1/185; B05B 1/08;
B05B 1/02; B05B 1/26; B05B 12/002;
B05B 1/18; B05B 9/01
See application file for complete search history.

SuperHandy Advanced Electrostatic Disinfectant Sprayer ULV Fogger Dec. 15, 2020, Amazon.com Mar. 27, 2021: URL <https://www.amazon.com/SuperHandy-Advanced-Electrostatic-Disinfectant-Technology/dp/B08J7Z5Z89/> (Year: 2020).*

(Continued)

Primary Examiner — Jack Reickel
Assistant Examiner — Keith J Wilson
(74) *Attorney, Agent, or Firm* — Foley & Lardner LLP

(57) **CLAIM**

I claim the ornamental design for a handheld sprayer, as shown and described.

DESCRIPTION

(56) **References Cited**

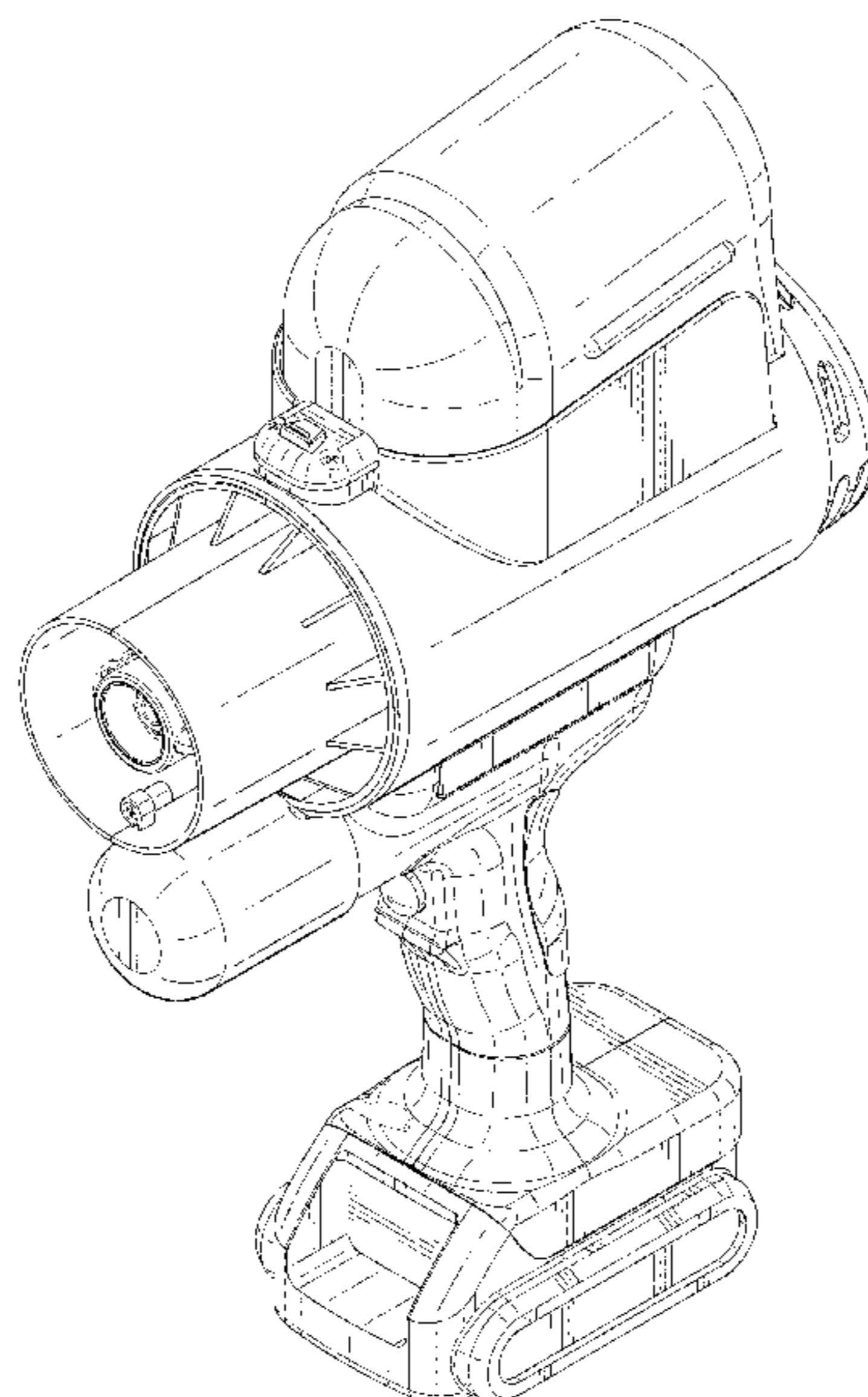
U.S. PATENT DOCUMENTS

D495,400 S * 8/2004 Hopper D23/225
D503,215 S * 3/2005 Stevens D23/225
D519,603 S * 4/2006 Schumann D23/225
D645,542 S * 9/2011 Miller D23/225
D648,908 S * 11/2011 Ediger D32/17
D675,713 S * 2/2013 Christensen D23/225
D692,095 S * 10/2013 Hines D23/225
D713,500 S * 9/2014 Muhl D23/225
D742,999 S * 11/2015 Moya D23/225
D759,199 S * 6/2016 Wrobel D23/225
D809,097 S * 1/2018 Bates D23/225
D822,162 S * 7/2018 Bonaventura D23/225
D844,106 S * 3/2019 Dawson D23/225

FIG. 1 is a front perspective view of the claimed design;
FIG. 2 is a front view thereof;
FIG. 3 is a rear view thereof;
FIG. 4 is a right side view thereof;
FIG. 5 is a left side view thereof;
FIG. 6 is a top view thereof; and,
FIG. 7 is a bottom view thereof.

The ornamental design which is claimed is shown in solid lines in the drawings. The broken lines shown represent portions of a handled sprayer and form no part of the claimed design.

1 Claim, 7 Drawing Sheets



(56)

References Cited

U.S. PATENT DOCUMENTS

D930,113 S * 9/2021 Dubiel D23/213
2004/0195383 A1* 10/2004 Amaduzzi B05B 9/01
239/526
2018/0207654 A1* 7/2018 Phua A61M 11/006
2020/0338578 A1* 10/2020 Hanson B05B 7/1245

OTHER PUBLICATIONS

0-20µm Cordless Fogger Machine Disinfectant,Handheld , Sep. 28,
2020, amazon.co.uk, Oct. 27, 2021.URL: <https://www.amazon.co.uk/dp/B08K946SKH> (Year: 2020).*

Avid Power Paint Sprayer,Jan. 24, 2019, amazon.com, Oct. 27,
2021,URL: <https://www.amazon.com/dp/B08TQHK5Z> (Year: 2019).*

Electric ULV Sprayer 4.5L ULV Fogger Portable Fogger Machine,
Jul. 10, 2020, amazon.co.uk, Oct. 27, 2021 <https://www.amazon.co.uk/dp/B08CRSZ5YS> (Year: 2020).*

* cited by examiner

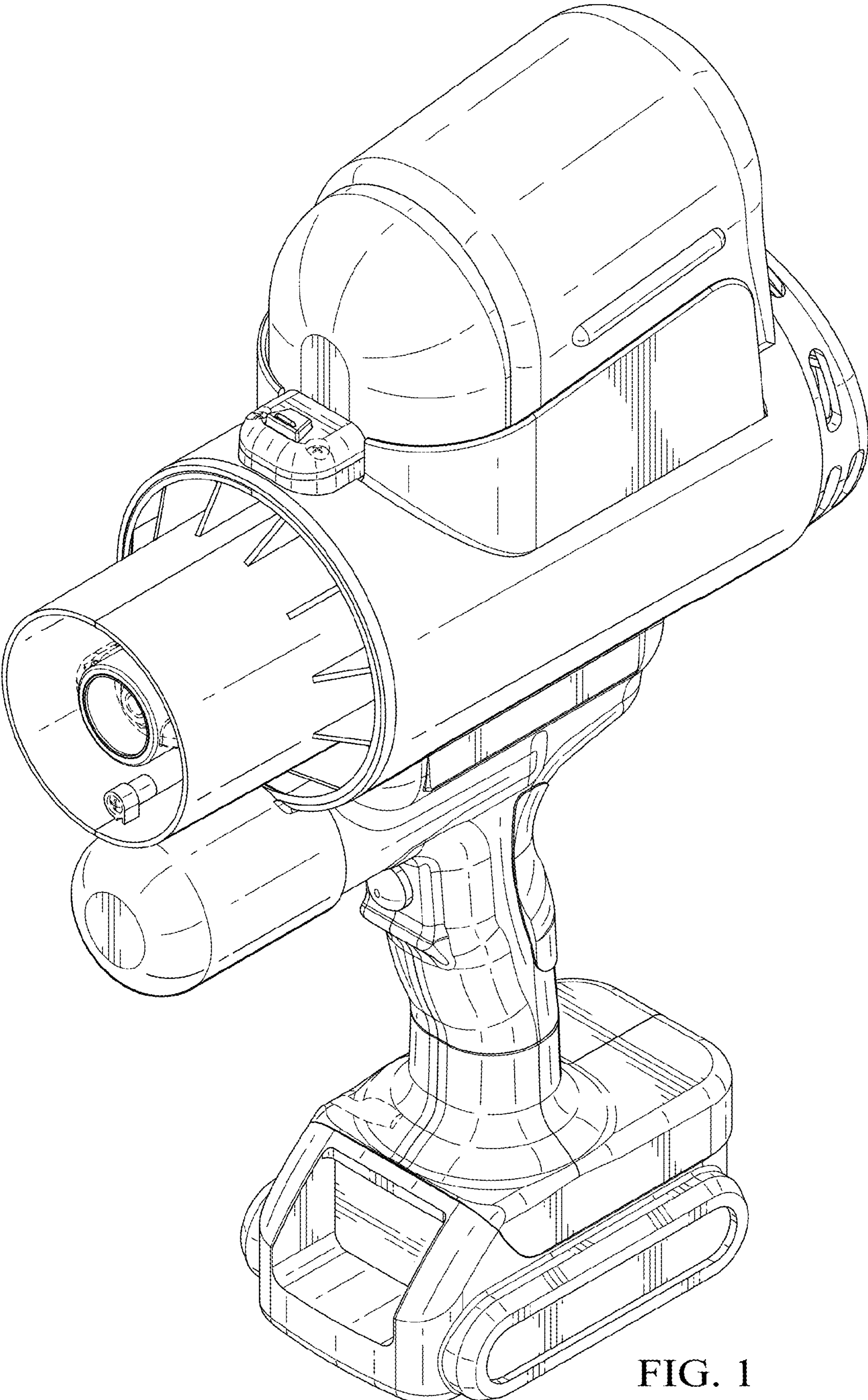


FIG. 1

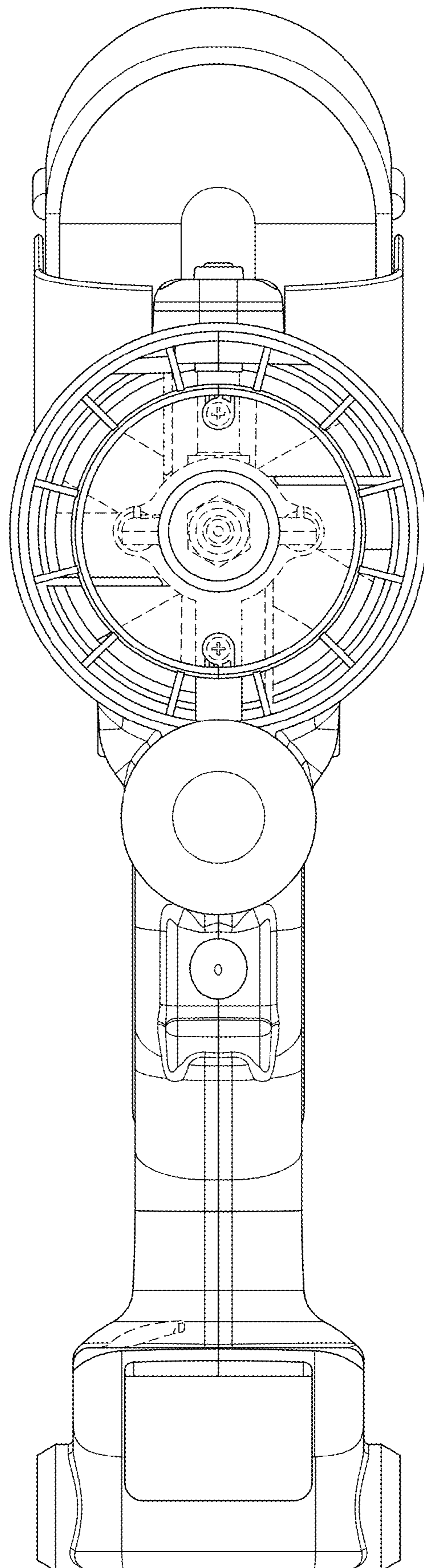


FIG. 2

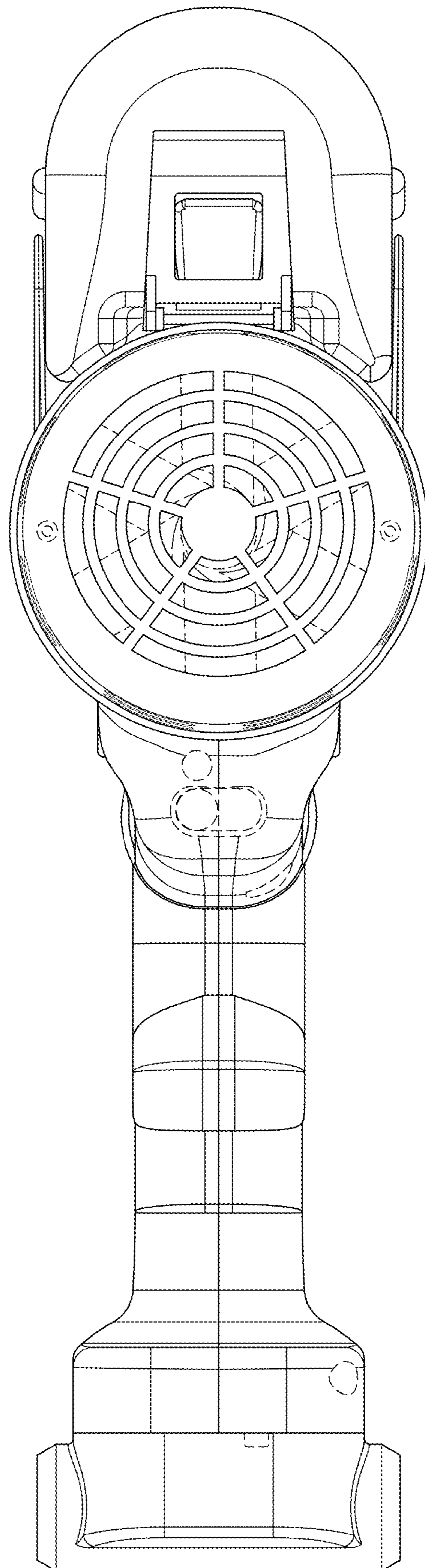


FIG. 3

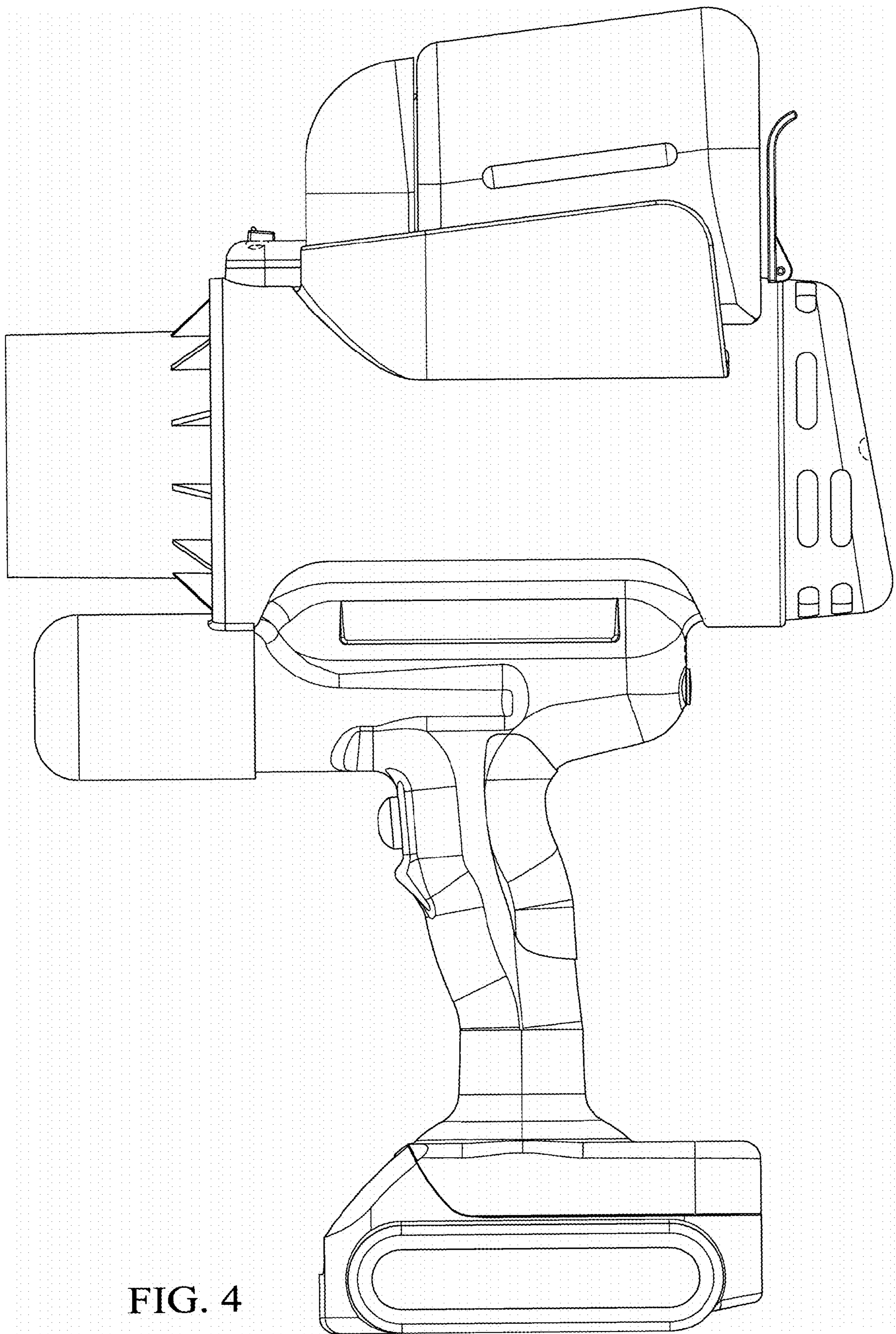


FIG. 4

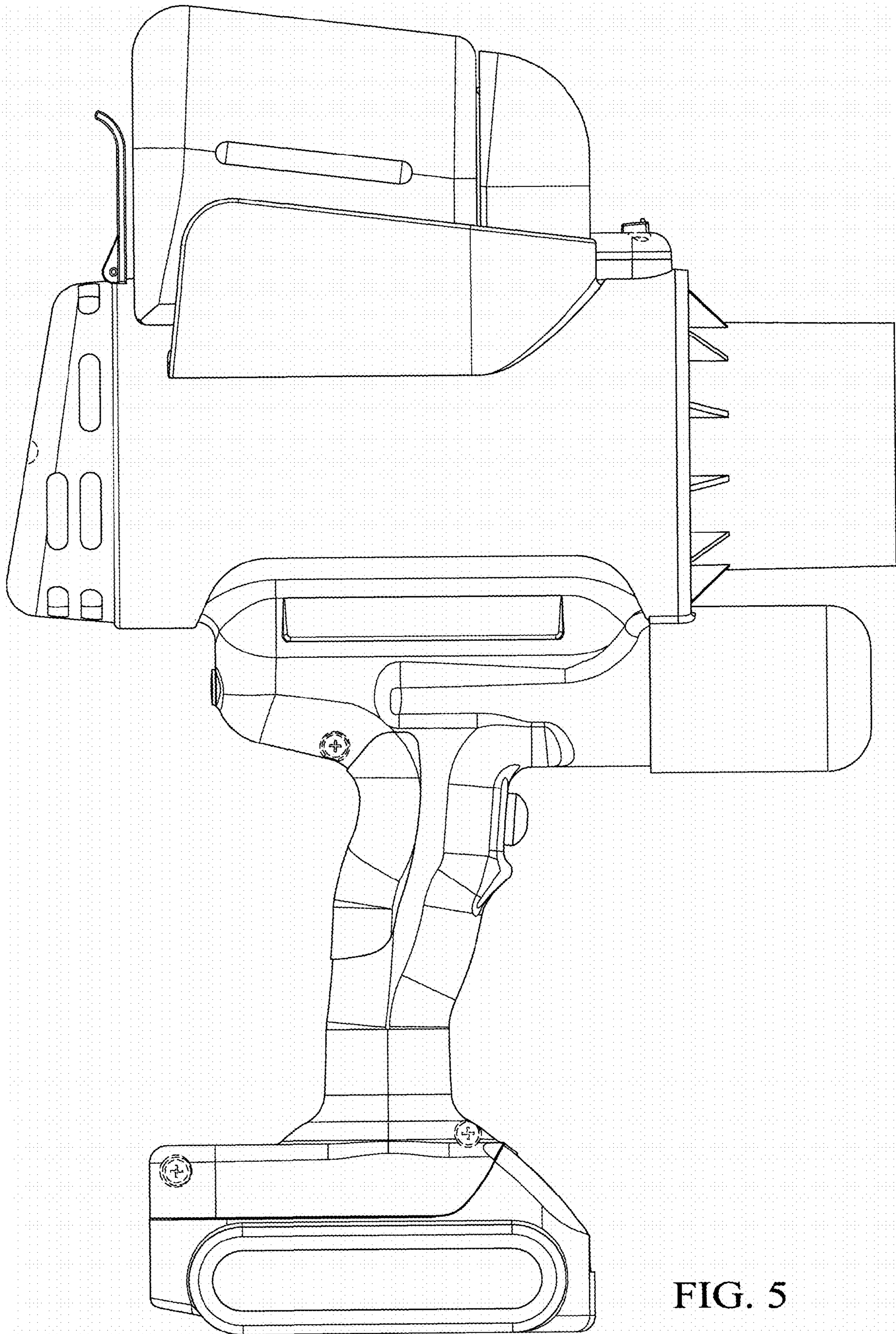


FIG. 5

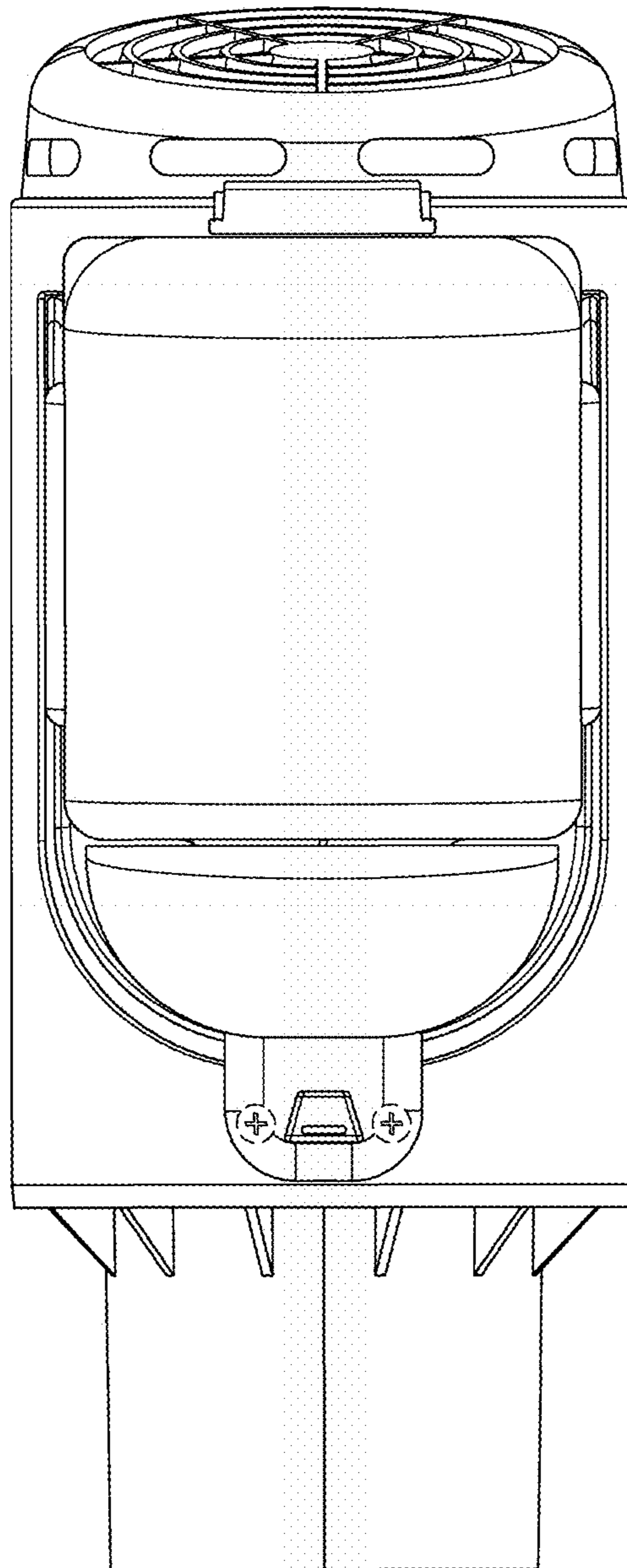


FIG. 6

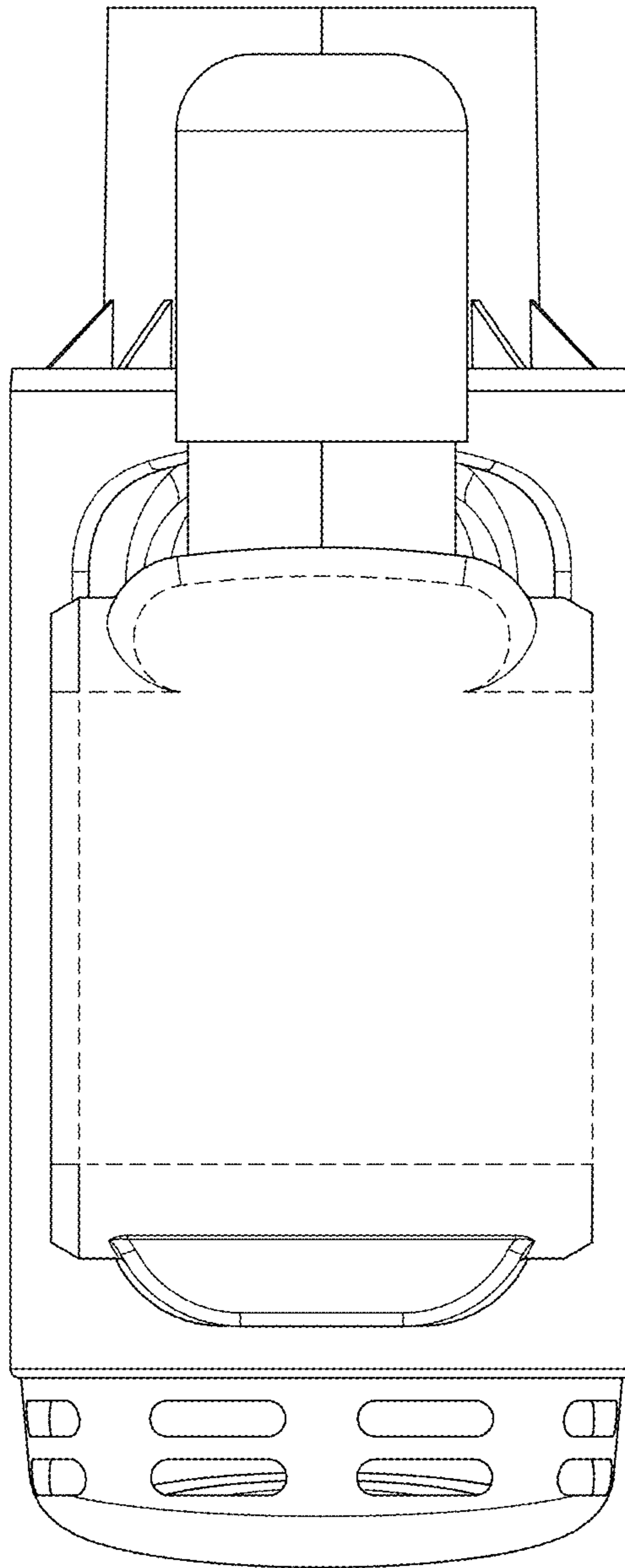


FIG. 7