



US00D946113S

(12) **United States Design Patent**
Ross

(10) **Patent No.:** **US D946,113 S**
(45) **Date of Patent:** **** Mar. 15, 2022**

- (54) **FLUID HEAD RETAINER**
- (71) Applicant: **Graco Minnesota Inc.**, Minneapolis, MN (US)
- (72) Inventor: **Daniel P. Ross**, Vadnais Heights, MN (US)
- (73) Assignee: **Graco Minnesota Inc.**, Minneapolis, MI (US)

- 6,158,672 A 12/2000 Millan
- 6,412,516 B1 7/2002 Goldsmith
- 6,685,106 B1 2/2004 Van Der Steur
- 7,128,283 B1 10/2006 Shahin
- D532,864 S 11/2006 Mather et al.
- D636,844 S 4/2011 Herre et al.
- 7,950,598 B2 5/2011 Olson et al.
- D639,906 S 6/2011 Wright
- 8,079,534 B2 12/2011 Fecht et al.
- D693,427 S 11/2013 Jones et al.

(Continued)

(**) Term: **15 Years**

OTHER PUBLICATIONS

- (21) Appl. No.: **29/800,274**
- (22) Filed: **Jul. 20, 2021**

Graco, Fusion PC ProConnect Retrofit Kit, (site visited Dec. 28, 2020), Christian Fabrication Website, URL: <<https://christainfab.com/graco-fusion-pc-proconnect-retrofit-kit/?sku=25P704&gclid=EA1aIQobChMI9-P8vr3x7QIVhJyGCh38BQ8vEAQYAYABEgLTovD BwE>> (Year:2020).

(Continued)

Related U.S. Application Data

- (63) Continuation of application No. 29/698,844, filed on Jul. 19, 2019, now Pat. No. Des. 926,923.
- (51) **LOC (13) Cl.** **23-01**
- (52) **U.S. Cl.**
USPC **D23/213**
- (58) **Field of Classification Search**
USPC D23/207, 213–215, 223–226, 229–230, D23/235, 259–260; D15/122, 145; D13/133
CPC A61H 9/0021; A61H 33/00; B05B 9/01; B05B 1/00; B05B 1/02; B05B 1/08; B05B 1/14; B05B 1/18; B05B 1/26; B05B 1/185; B05B 7/0081; B05C 17/00553; B05C 17/00566
See application file for complete search history.

Primary Examiner — Sheryl Lane
Assistant Examiner — Mark T. Philipps
(74) *Attorney, Agent, or Firm* — Kinney & Lange, P. A.

(57) **CLAIM**

The ornamental design for a fluid head retainer, as shown and described.

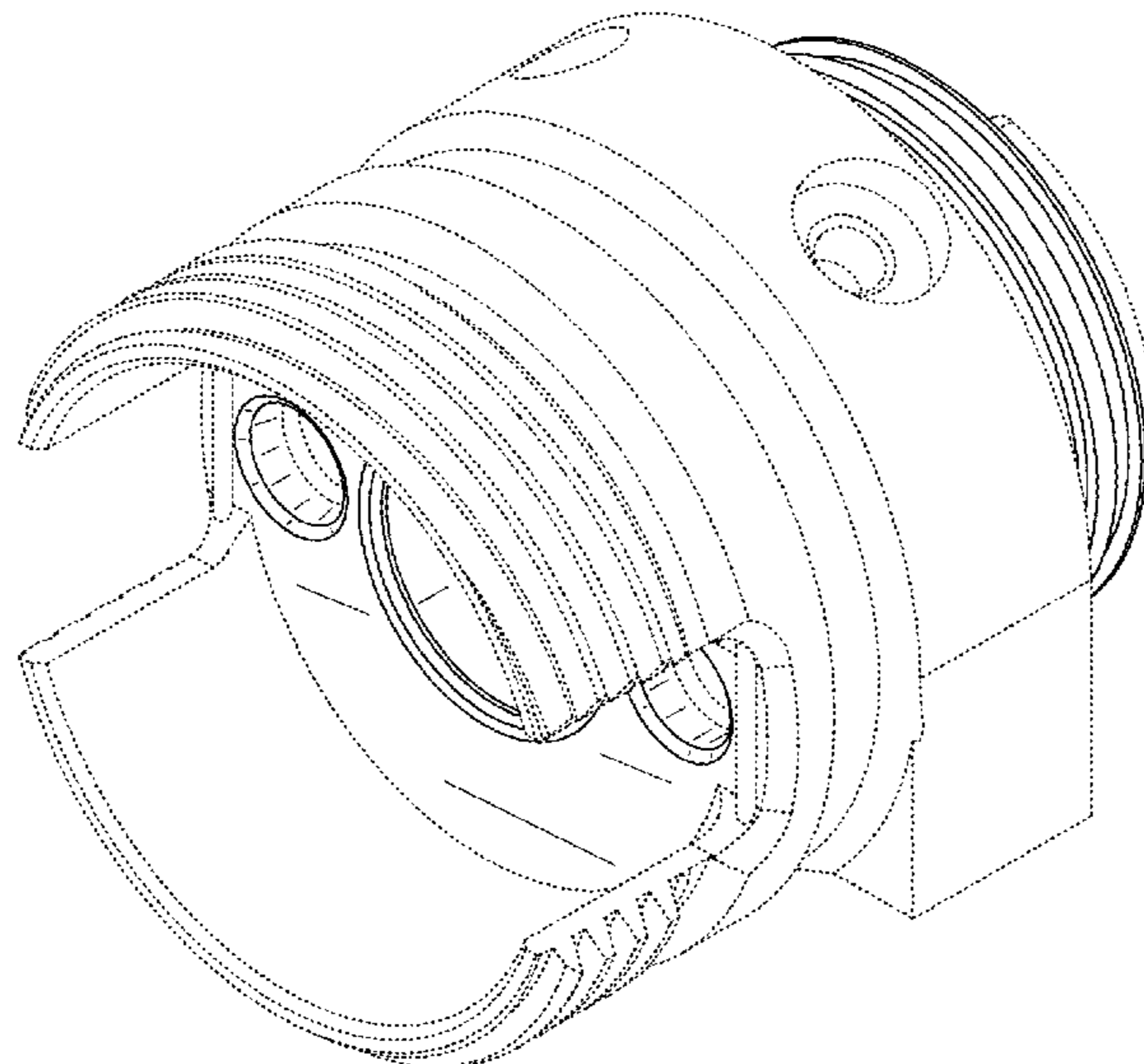
DESCRIPTION

FIG. 1 is a perspective view of a fluid head retainer; FIG. 2 is a front elevational view of the fluid head retainer; FIG. 3 is a rear elevational view of the fluid head retainer; FIG. 4 is a right side view of the fluid head retainer; FIG. 5 is a left side view of the fluid head retainer; FIG. 6 is a top plan view of the fluid head retainer; and, FIG. 7 is a bottom plan view of the fluid head retainer. The broken lines in the Figures represent portions of the fluid head retainer and form no part of the claimed design.

(56) **References Cited**
U.S. PATENT DOCUMENTS

- 2,657,955 A * 11/1953 Manning B05B 1/3086 239/458
- 4,074,857 A 2/1978 Calder
- 4,392,617 A 7/1983 Bakos et al.
- D366,051 S 1/1996 Lewis et al.

1 Claim, 7 Drawing Sheets



(56)

References Cited

U.S. PATENT DOCUMENTS

| | | | | |
|--------------|----|----------|---------------|---------|
| D745,635 | S | 12/2015 | Schwarz | |
| D749,693 | S | 2/2016 | Evans et al. | |
| 9,802,213 | B2 | 10/2017 | Joseph et al. | |
| D881,456 | S | 4/2020 | Chen | |
| D891,578 | S | 7/2020 | Stech et al. | |
| D904,563 | S | 12/2020 | Ross | |
| D926,923 | S | * 8/2021 | Ross | D23/213 |
| 2007/0034713 | A1 | 2/2007 | Wang et al. | |
| 2007/0164129 | A1 | 7/2007 | Doner et al. | |
| 2011/0073680 | A1 | 3/2011 | Pellin et al. | |
| 2013/0140225 | A1 | 6/2013 | Decock et al. | |
| 2015/0202637 | A1 | 7/2015 | Nikles | |
| 2016/0001307 | A1 | 1/2016 | Schurle | |
| 2020/0129999 | A1 | 4/2020 | Ross et al. | |

OTHER PUBLICATIONS

First Examination Report for IN Application No. 326136-001, dated Feb. 19, 2020, pp. 2.

* cited by examiner

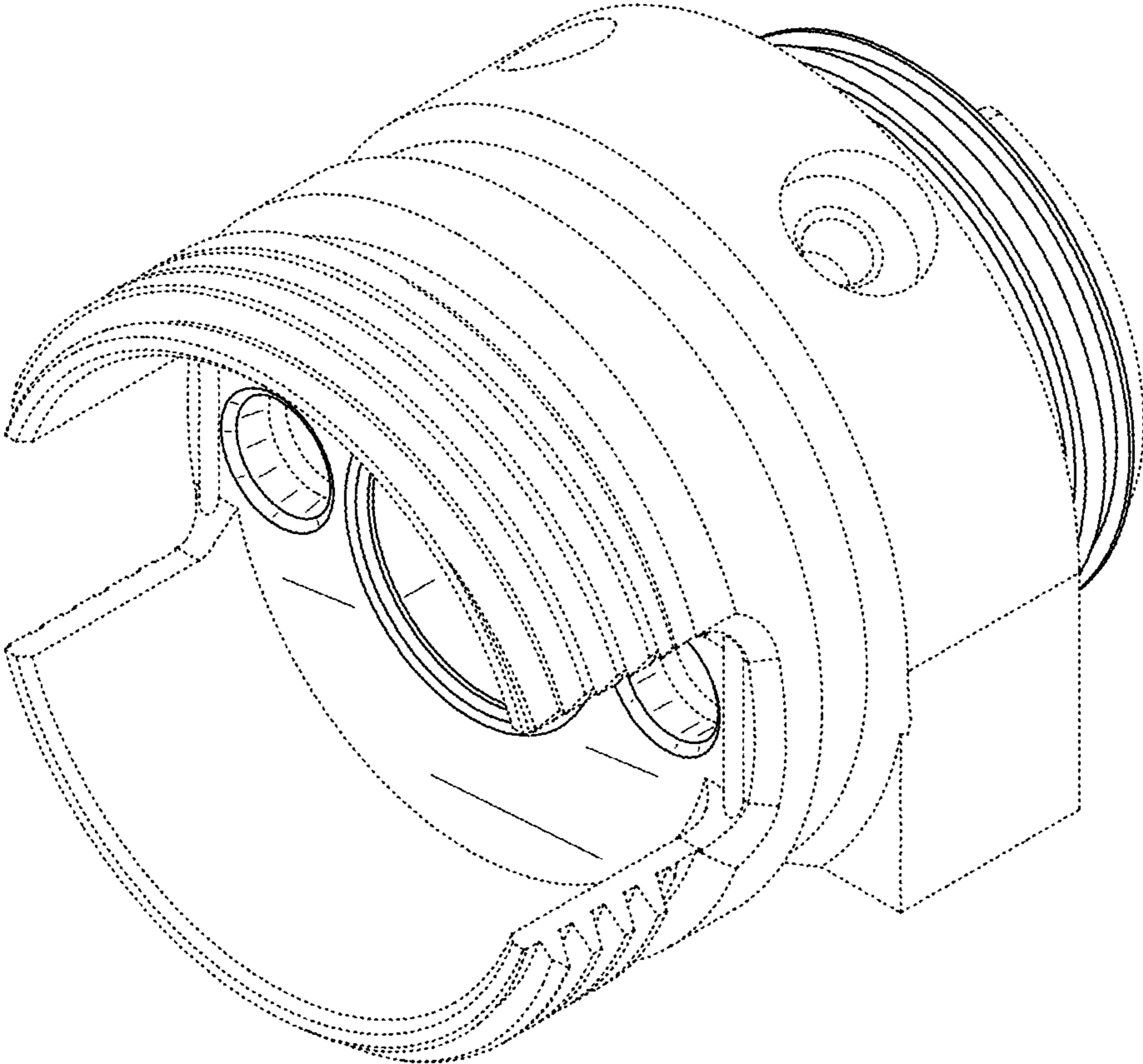


Fig. 1

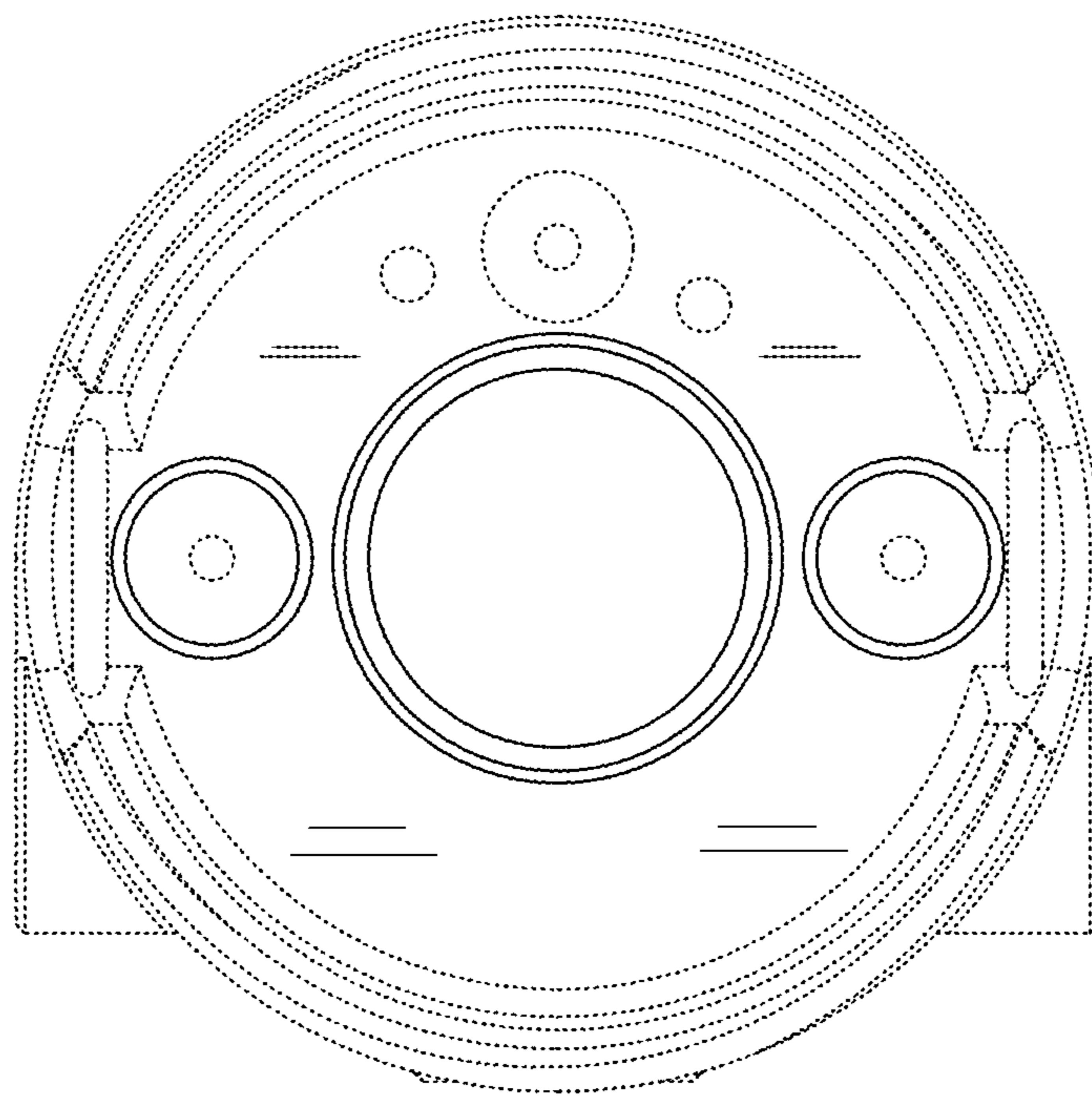


Fig. 2

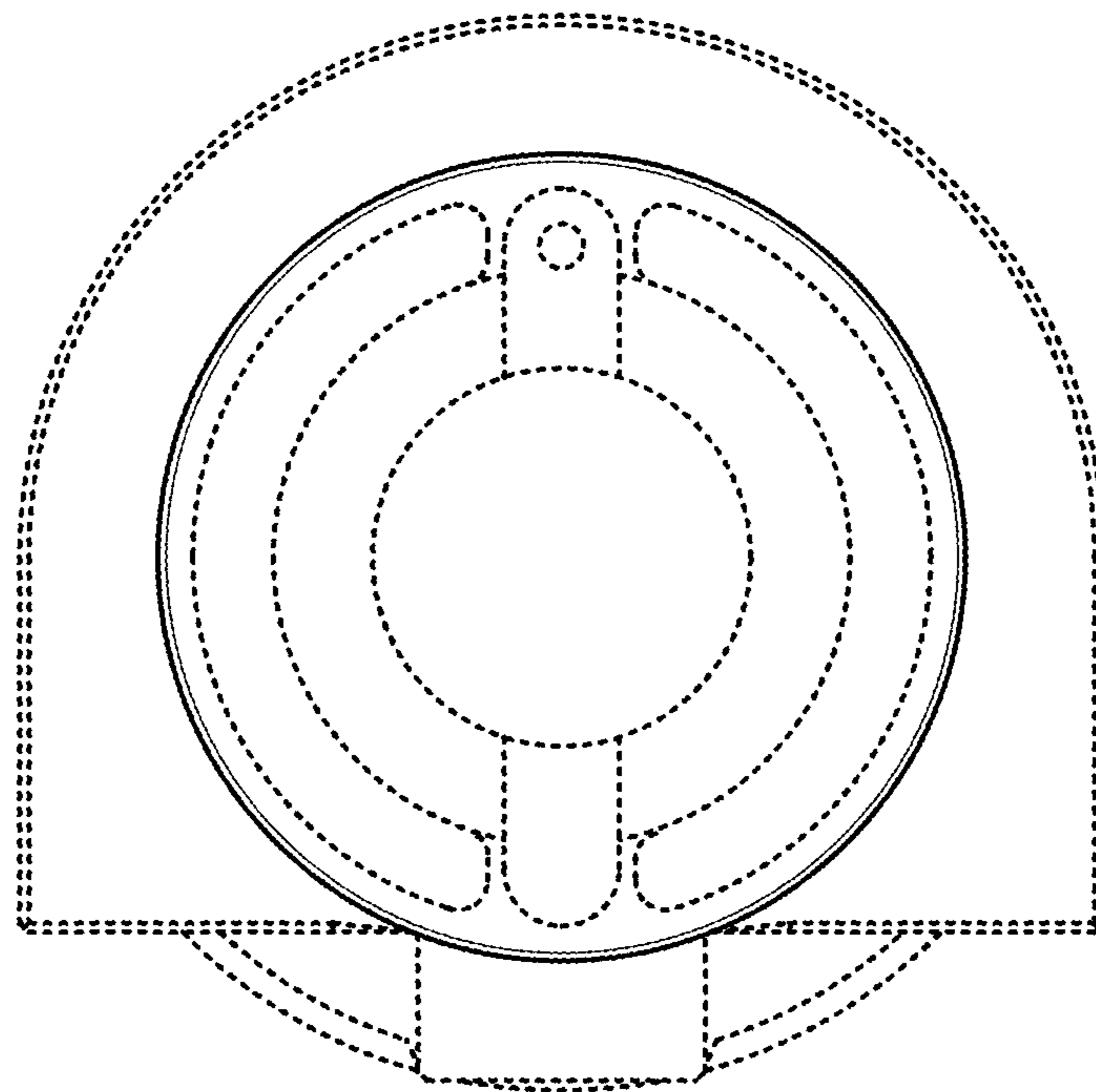


Fig. 3

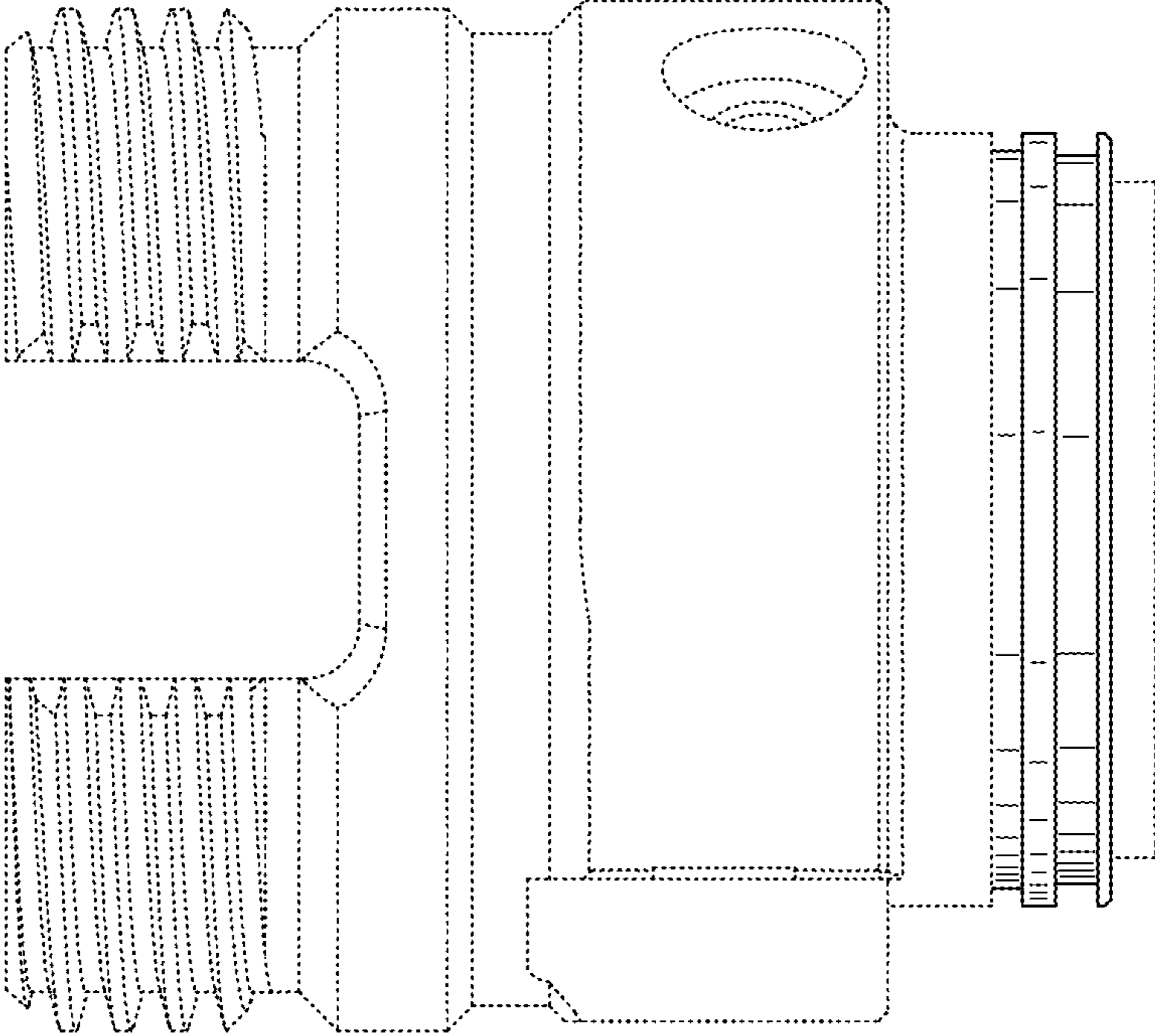


Fig. 4

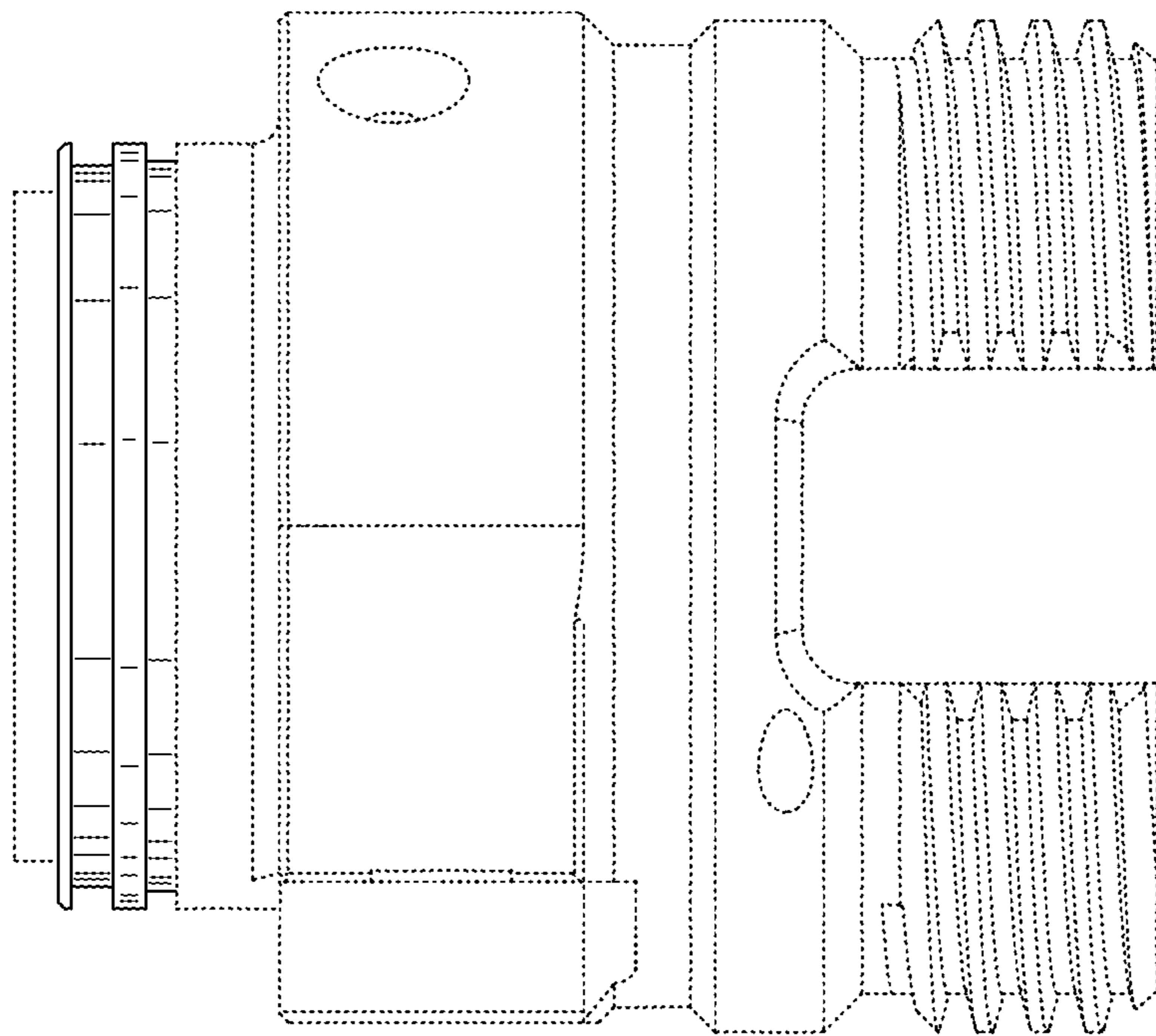


Fig. 5

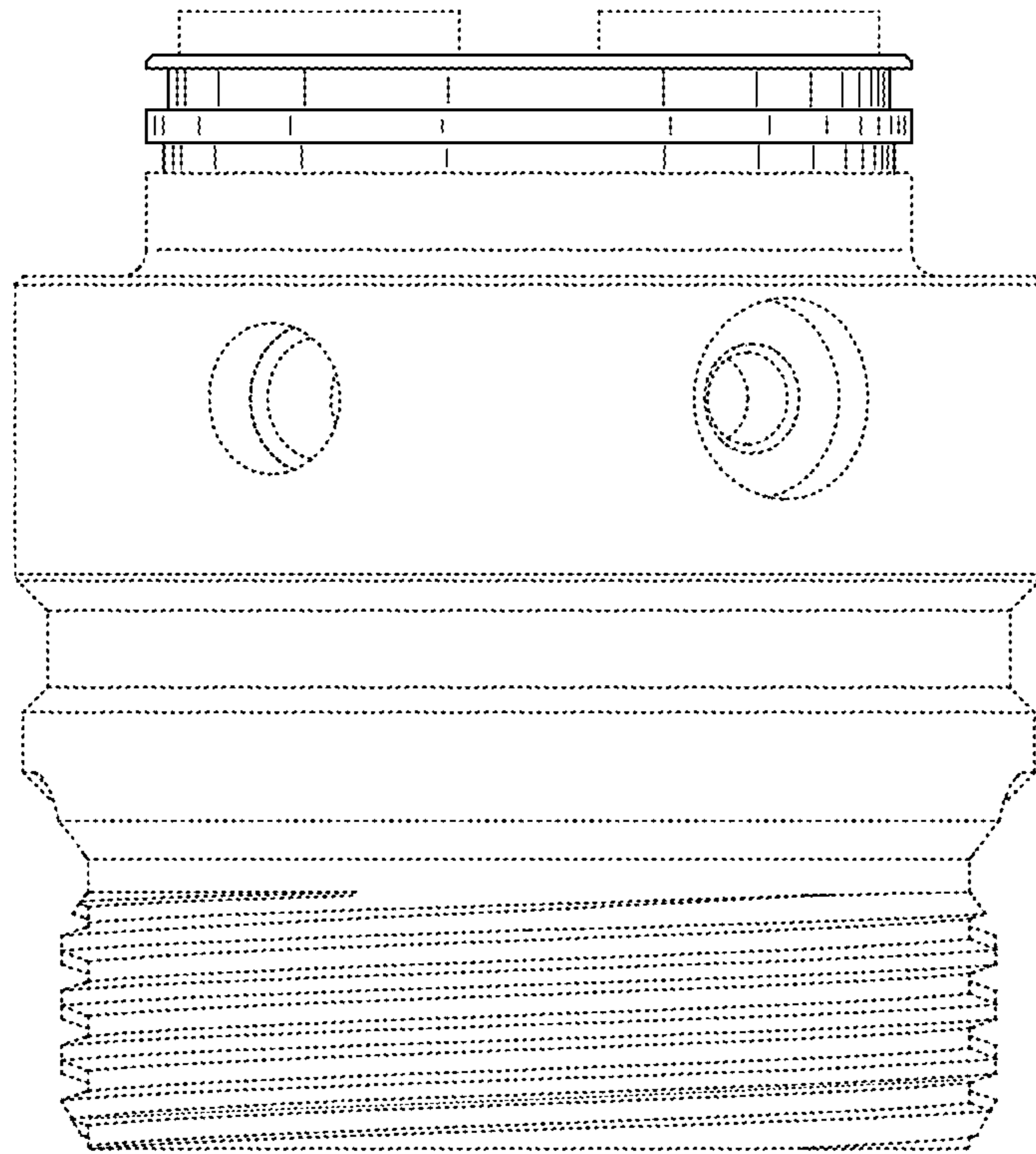


Fig. 6

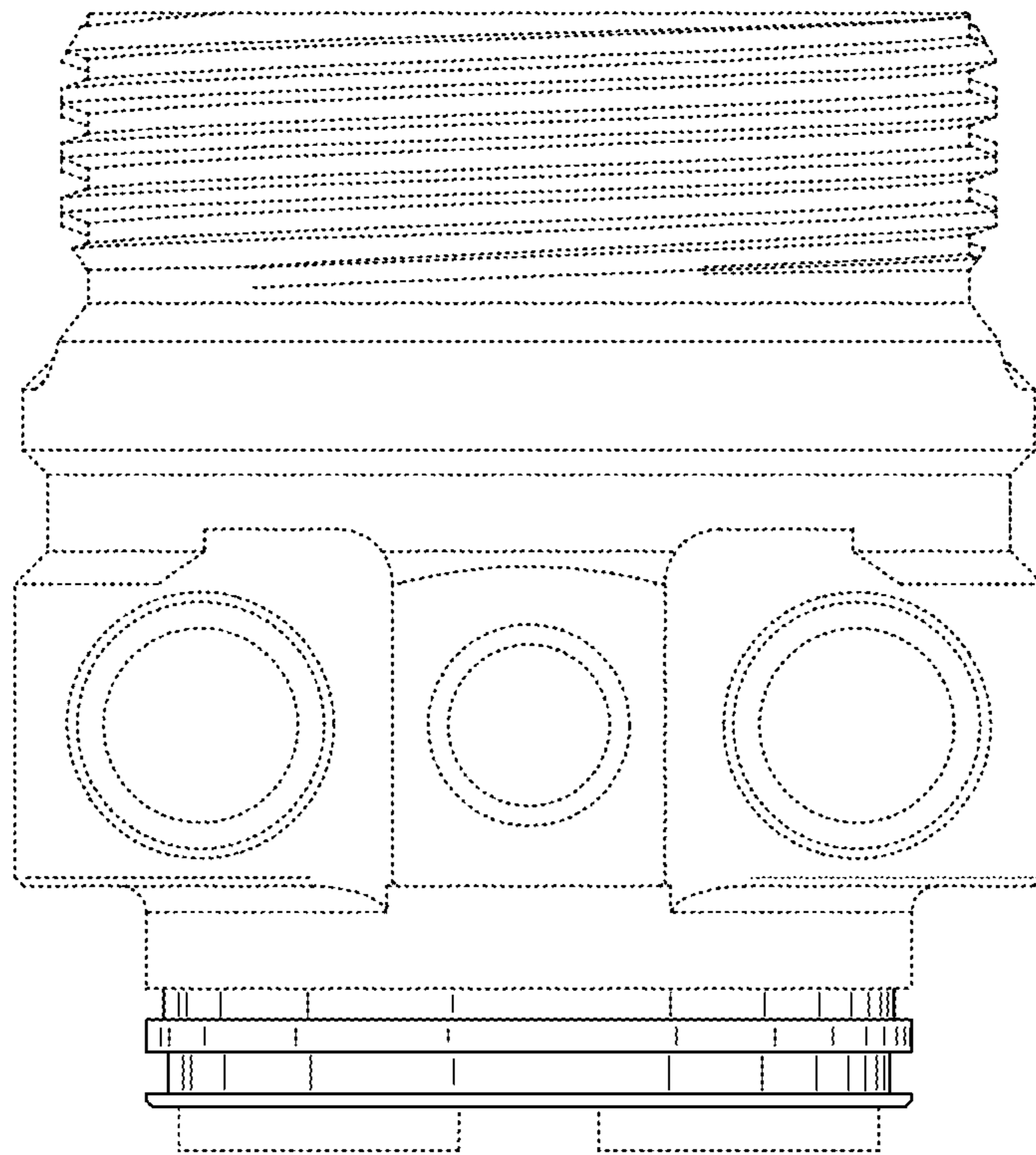


Fig. 7