



US00D946111S

(12) **United States Design Patent** (10) **Patent No.:** **US D946,111 S**
Lee (45) **Date of Patent:** **** Mar. 15, 2022**

(54) **SHOWER SYSTEM**
(71) Applicant: **DELTA FAUCET COMPANY,**
Indianapolis, IN (US)
(72) Inventor: **David Lee,** Westfield, IN (US)
(73) Assignee: **DELTA FAUCET COMPANY,**
Indianapolis, IN (US)

D870,847 S * 12/2019 Mercado D23/213
D904,561 S * 12/2020 Zhu D23/213
D907,743 S * 1/2021 Wu E03C 1/0408
D908,836 S * 1/2021 Wu D23/213
D908,838 S * 1/2021 Wu D23/213
D908,839 S * 1/2021 Wu D23/213
D908,840 S * 1/2021 Wu D23/213
D908,841 S * 1/2021 Wu D23/213
D917,663 S * 4/2021 Yan D23/213

(Continued)

(**) Term: **15 Years**

OTHER PUBLICATIONS

(21) Appl. No.: **29/722,248**

Delta Faucet 4-Spray In2ition 2-in-1 Dual Hand Held Shower Head with Hose, Nov. 29, 2011, Amazon.com, Jun. 15, 2021, URL: <https://www.amazon.com/4-Spray-In2ition-Shower-Stainless-58467-SS/dp/B006FYB3BU/> (Year: 2011).*

(22) Filed: **Jan. 28, 2020**

(Continued)

(51) **LOC (13) Cl.** **23-01**

(52) **U.S. Cl.**
USPC **D23/213**

(58) **Field of Classification Search**
USPC D23/213, 214, 215, 223, 224, 225, 226,
D23/229, 230
CPC A61H 9/0021; A61H 33/00; B05B 1/00;
B05B 1/14; B05B 1/185; B05B 1/08;
B05B 1/02; B05B 1/26; B05B 12/002;
B05B 1/18; B05B 9/01

Primary Examiner — Jack Reickel
Assistant Examiner — Keith J Wilson
(74) *Attorney, Agent, or Firm* — Nirav D. Parikh; Edgar A. Zarins

See application file for complete search history.

(57) **CLAIM**

The ornamental design for a shower system, as shown and described.

(56) **References Cited**

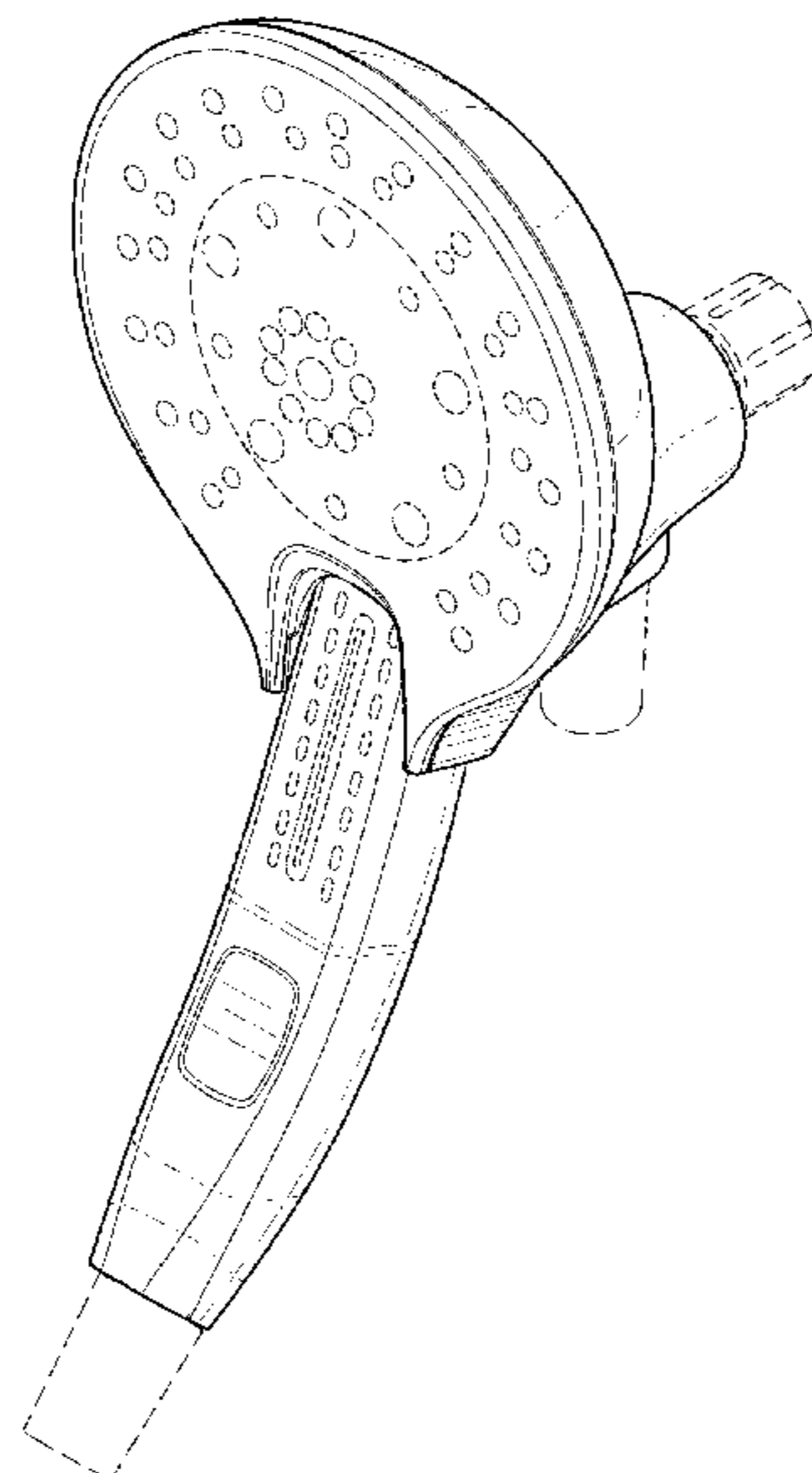
DESCRIPTION

U.S. PATENT DOCUMENTS

6,715,699 B1 * 4/2004 Greenberg B05B 1/1645
239/394
D509,562 S * 9/2005 Kobi D23/213
D621,904 S * 8/2010 Yoo D23/213
D621,905 S * 8/2010 Yoo D23/213
D672,432 S * 12/2012 Spangler D23/213
D674,041 S * 1/2013 Hanus D23/213
D675,710 S * 2/2013 Chibitty D23/213
D675,711 S * 2/2013 Chibitty D23/213
D810,233 S * 2/2018 Winter D23/213
D820,949 S * 6/2018 Reinecker D23/213
10,246,860 B1 * 4/2019 Wu F16B 2/12
D857,842 S * 8/2019 Yu D23/213

FIG. 1 is a perspective view of a shower system showing my new design;
FIG. 2 is a left side view thereof;
FIG. 3 is a front elevational view thereof;
FIG. 4 is a top plan view thereof;
FIG. 5 is a bottom view thereof;
FIG. 6 is a right side view thereof; and,
FIG. 7 is a rear view thereof.
The broken lines represent portions of a shower system and form no part of the claimed design.

1 Claim, 6 Drawing Sheets



(56)

References Cited

U.S. PATENT DOCUMENTS

D919,746 S * 5/2021 Lin B05B 1/1645
239/394
D919,747 S * 5/2021 Lin F16B 2/12
2019/0091715 A1* 3/2019 Mercado E03C 1/0408

OTHER PUBLICATIONS

Delta Faucet 5-Spray H2Okinetic In2ition 2-in-1 Dual Hand Held Shower Head with Hose and Magnetic Docking, Feb. 23, 2015, Amazon.com, Jun. 15, 2021, URL: <https://www.amazon.com/58480-SS-PK-H2Okinetic-5-Setting-Handshower-Showerhead/dp/B00TYBO1WO> (Year: 2015).*

Delta Faucet Linden 17 Series Dual-Function Shower Faucet, Shower Trim Kit with 4-Spray In2ition 2-in-1 Dual Hand Held Shower Head, Jul. 25, 2016, Amazon.com, Jun. 15, 2021, URL: <https://www.amazon.com/Faucet-T17293-SS-1-Monitor-In2ition-Stainless/dp/B01JBTLKJ0/> (Year: 2016).*

Delta 54710-SS-PK SureDock Hand Shower 1.75 GPM Handshower, Dec. 3, 2019, Amazon.com, Jun. 15, 2021, URL: <https://www.amazon.com/Delta-SureDock-Hand-Shower-Stainless/dp/B07X5W8NGV> (Year: 2019).*

Delta Faucet 5-Spray In2ition 2-in-1 Dual Hand Held Shower Head with Hose, H2Okinetic Handheld Shower Head, Mar. 20, 2020, Amazon.com Jun. 15, 2021, URL: <https://www.amazon.com/In2ition-H2Okinetic-Handheld-Magnetic-58620-25-PK/dp/B088MYTRFR> (Year: 2020).*

Delta Faucet 4-Spray H2Okinetic In2ition 2-in-1 Dual Hand Held Shower Head with Hose and Magnetic Docking, Oct. 2, 2012, Amazon.com, Jun. 15, 2021, URL: <https://www.amazon.com/H2Okinetic-In2ition-Magnetic-Stainless-58471-SS-PK/dp/B009MLXJWY> (Year: 2021).*

* cited by examiner

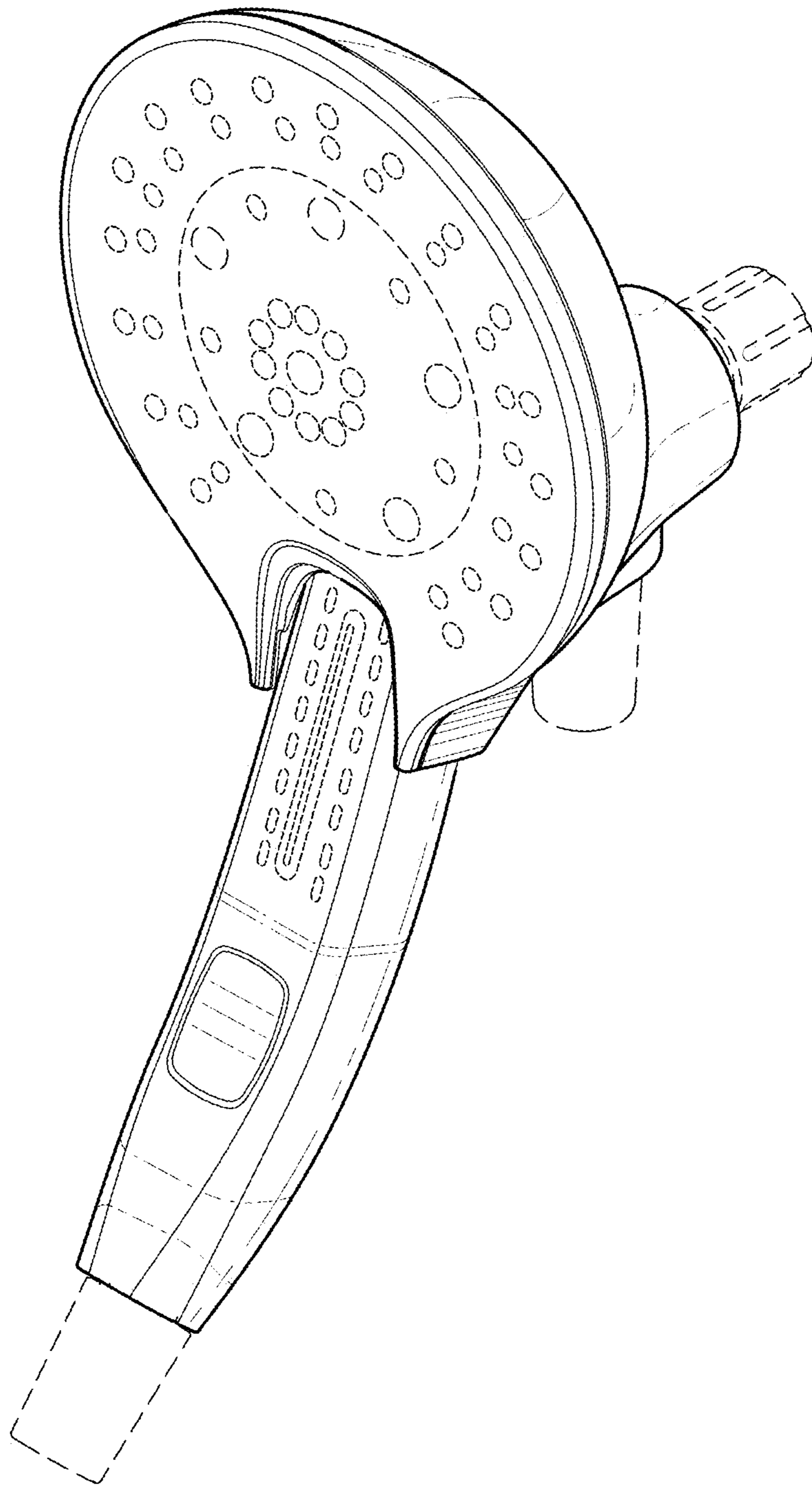


Fig-1

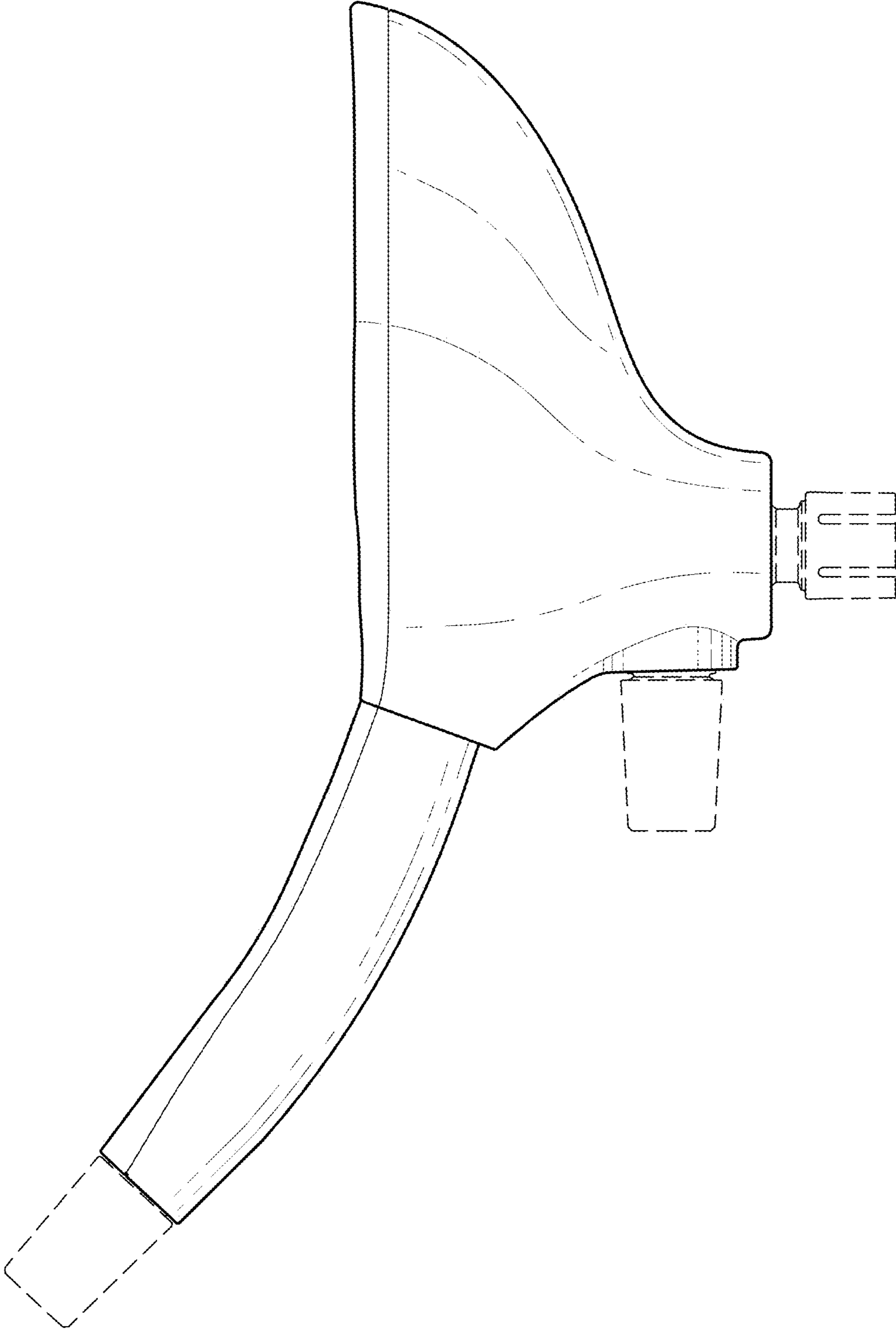


Fig-2

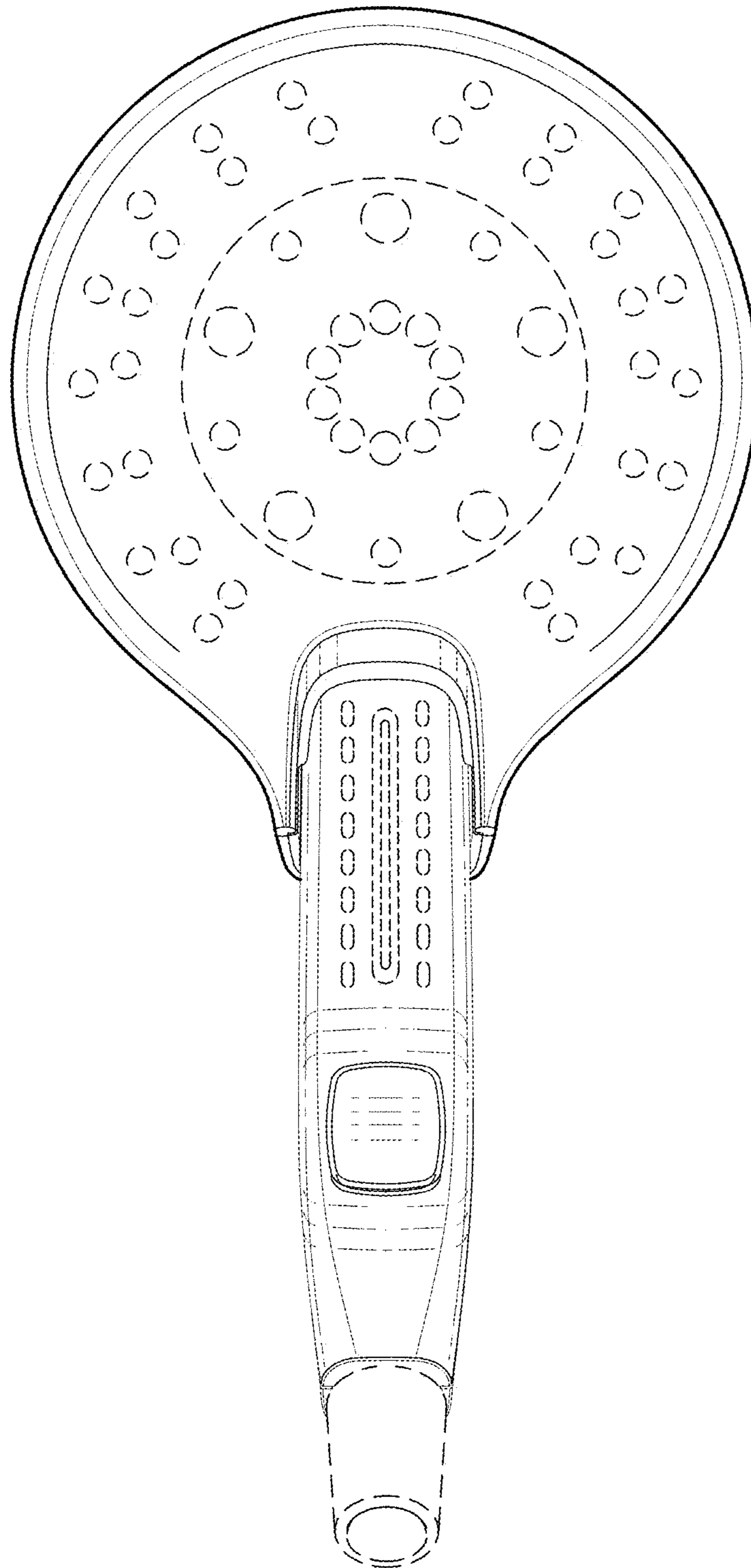


Fig-3

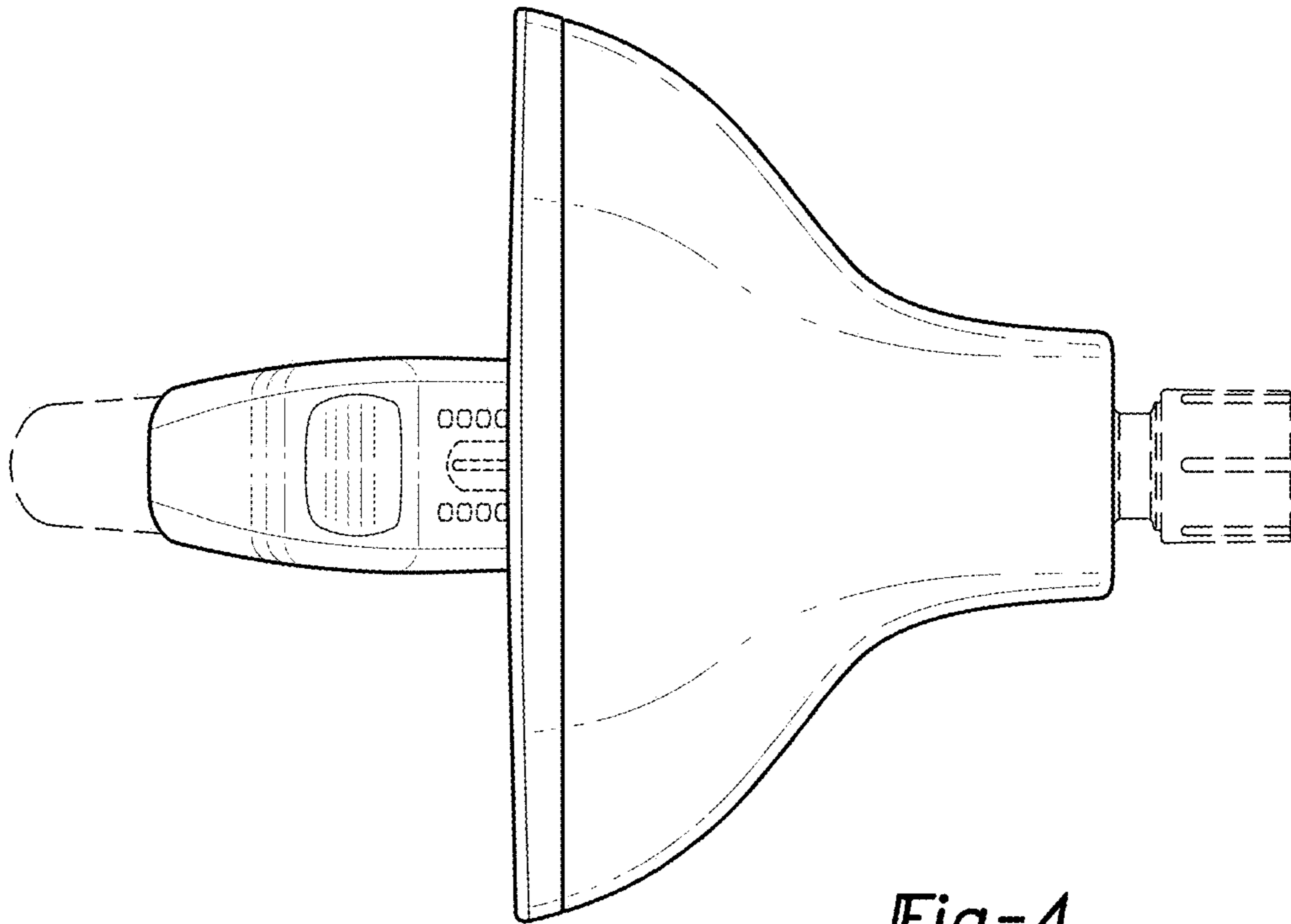


Fig-4

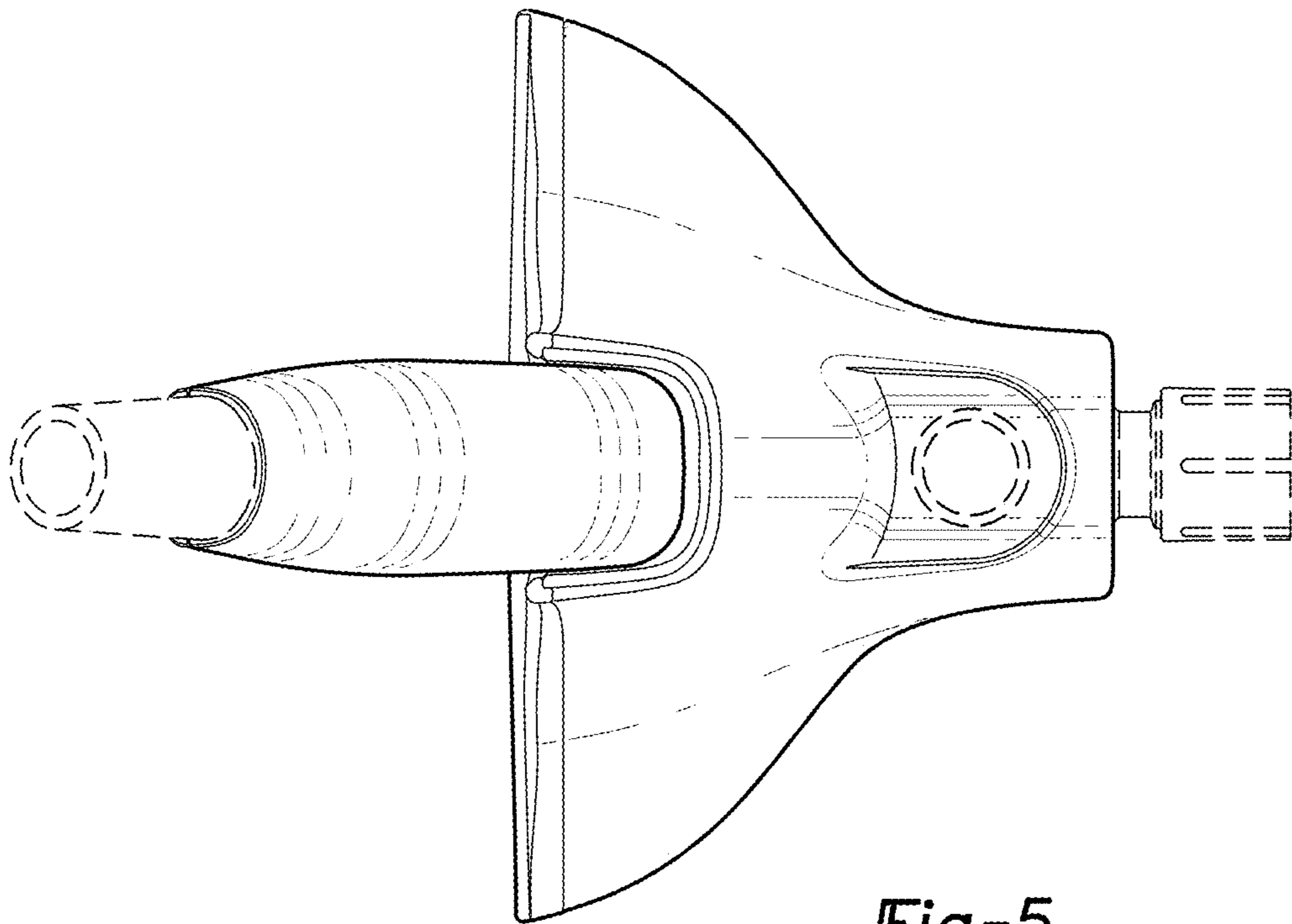


Fig-5

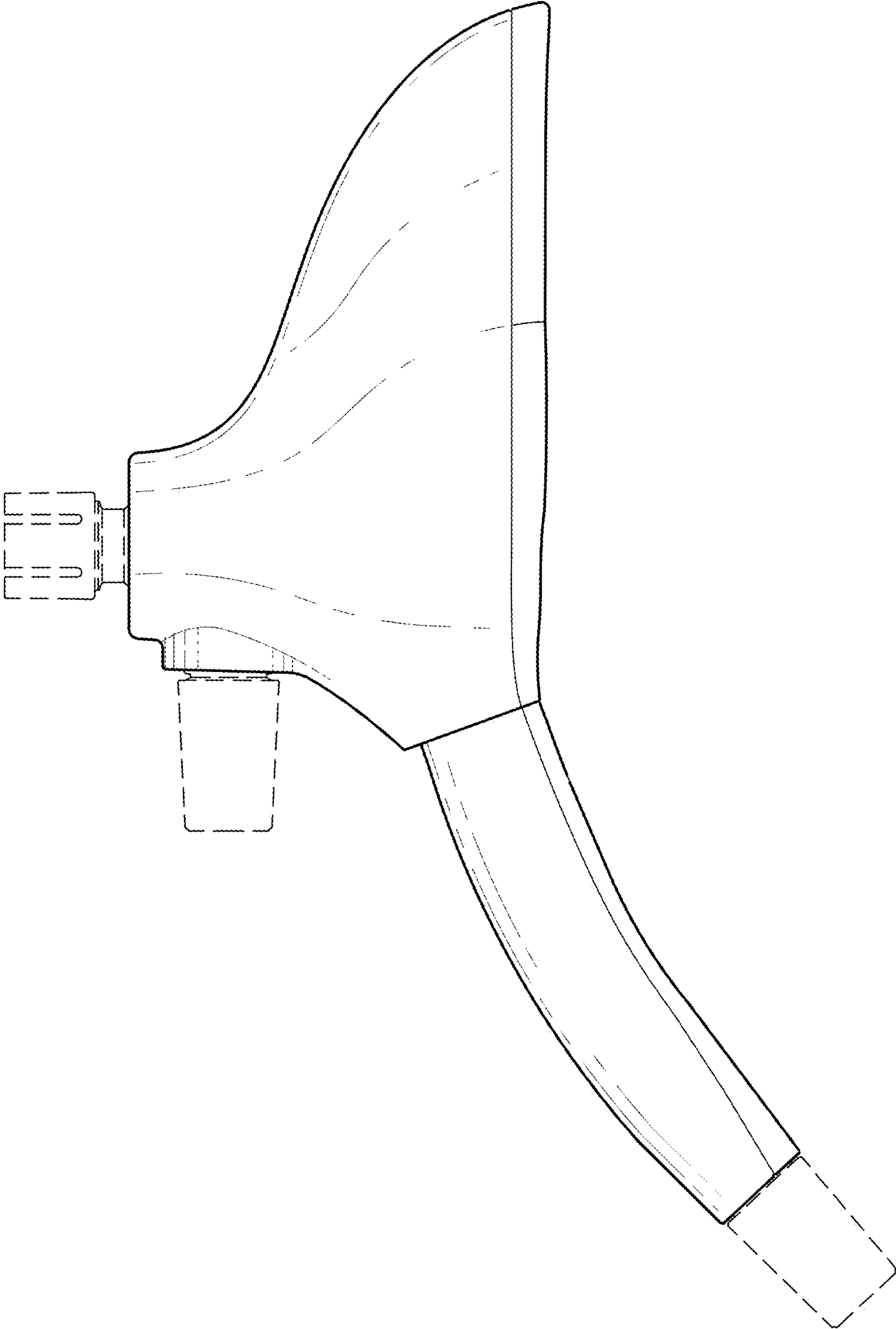


Fig-6

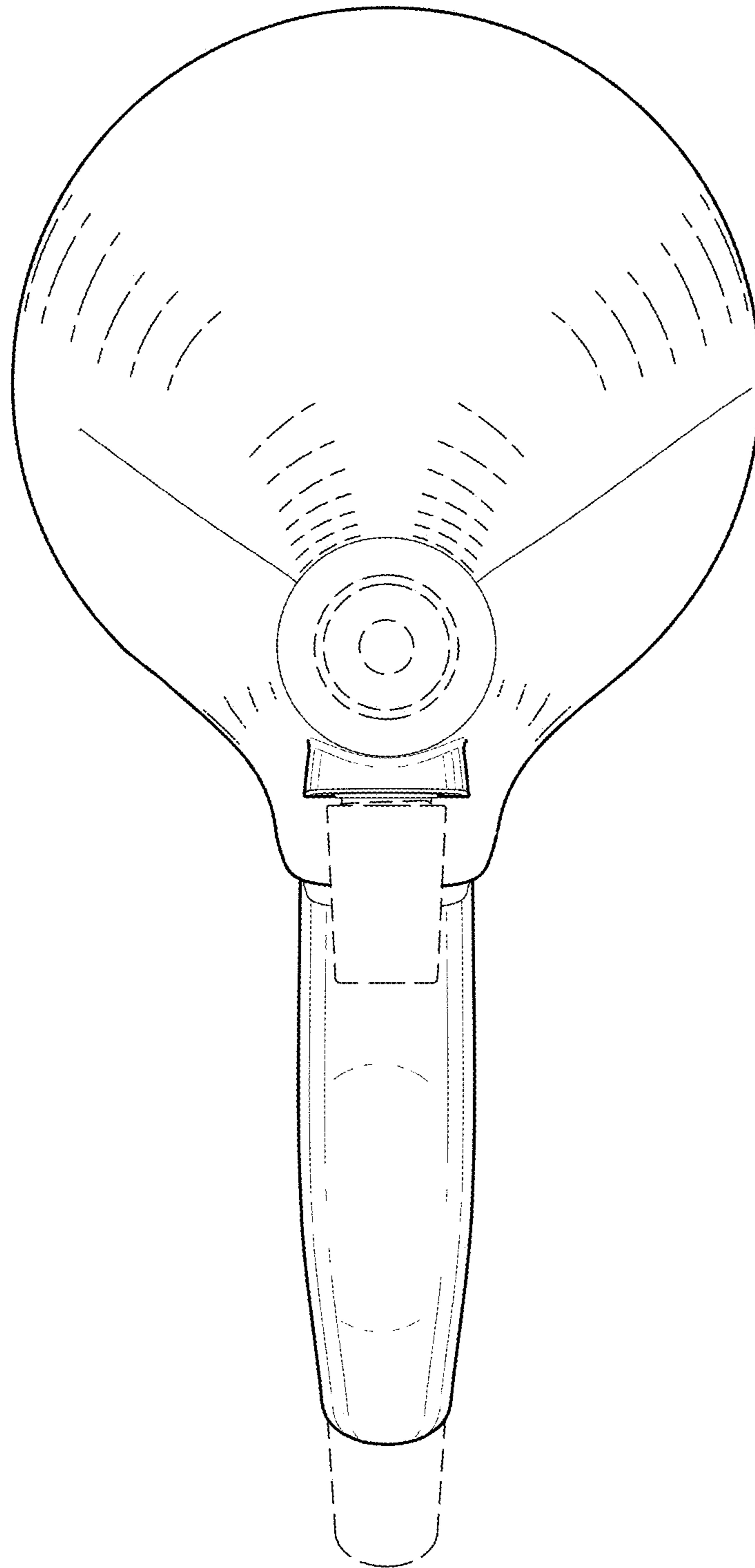


Fig-7