

US00D946108S

(12) **United States Design Patent**
Mei et al.

(10) **Patent No.:** **US D946,108 S**
(45) **Date of Patent:** **** Mar. 15, 2022**

(54) **WATER PURIFIER**

(71) Applicant: **Kunshan EcoWater Systems Co., Ltd.**, Kunshan (CN)

(72) Inventors: **Miaoqiang Mei**, Kunshan (CN); **Fei Xue**, Kunshan (CN); **Chunxia Xu**, Kunshan (CN); **Rui Feng**, Kunshan (CN); **Min Feng**, Kunshan (CN)

(73) Assignee: **KUNSHAN ECOWATER SYSTEMS CO., LTD.**, Kunshan (CN)

(**) Term: **15 Years**

(21) Appl. No.: **29/712,923**

(22) Filed: **Nov. 12, 2019**

(30) **Foreign Application Priority Data**

Jul. 5, 2019 (CN) 201930357355.X

(51) **LOC (13) Cl.** **23-01**

(52) **U.S. Cl.**
USPC **D23/207**

(58) **Field of Classification Search**
USPC D23/207, 209, 213, 365
CPC B01D 2201/30; B01D 36/02; B01D 2201/29; C02F 1/002
See application file for complete search history.

(56) **References Cited**

U.S. PATENT DOCUMENTS

D295,438 S *	4/1988	Bray	D23/207
D519,186 S *	4/2006	Oranski	D23/209
D621,001 S *	8/2010	Maziel	D23/209
D656,578 S *	3/2012	Sherman	D23/209
D656,579 S *	3/2012	Sherman	D23/209
D708,749 S *	7/2014	Appling	D24/162

D792,554 S *	7/2017	Kruse	D23/209
D793,524 S *	8/2017	Kruse	D23/209
D795,999 S *	8/2017	Downie	D23/209
D831,787 S *	10/2018	Luo	D23/209
D846,693 S *	4/2019	Zou	D23/209
D863,500 S *	10/2019	Zou	D23/209
2009/0236271 A1 *	9/2009	Eserkahn	C02F 9/005 210/137

FOREIGN PATENT DOCUMENTS

CN	201830316573	*	11/2018
CN	201930376038.2	*	1/2020

* cited by examiner

Primary Examiner — Karen S Acker

Assistant Examiner — Jonathan E Fiencke

(74) *Attorney, Agent, or Firm* — Dragon Sun Law Firm, PC; Jinggao Li, Esq.

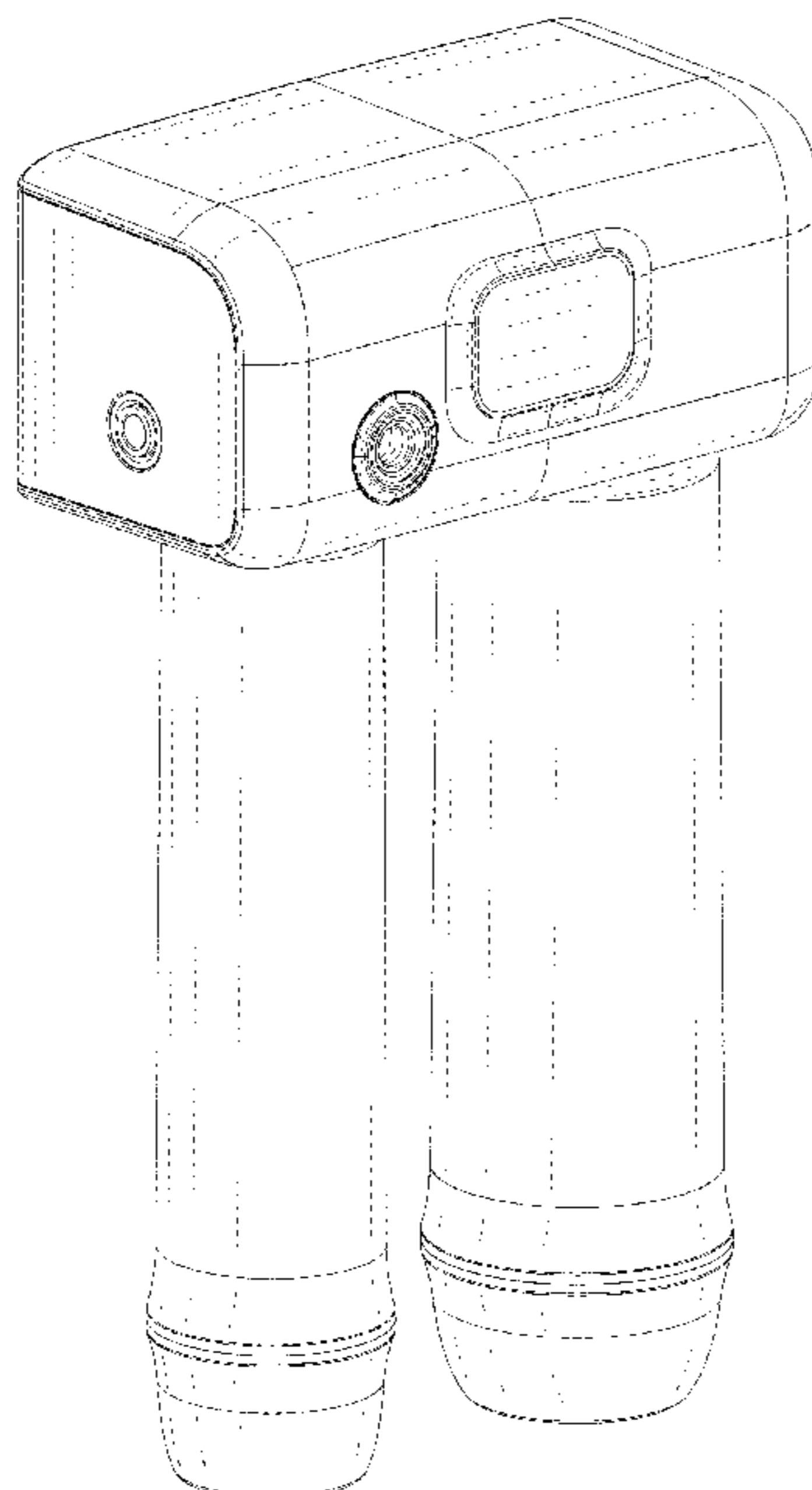
(57) **CLAIM**

The ornamental design for a water purifier, as shown and described.

DESCRIPTION

FIG. 1 is a perspective view of a water purifier showing our new design;
FIG. 2 is a front view thereof;
FIG. 3 is a rear view thereof;
FIG. 4 is a left side view thereof;
FIG. 5 is a right side view thereof;
FIG. 6 is a top plan view thereof; and,
FIG. 7 is a bottom plan view thereof.
The broken lines and areas within them depict environmental subject matter only and form no part of the claimed design. All other broken lines depict features of the water purifier that form no part of the claimed design.

1 Claim, 7 Drawing Sheets



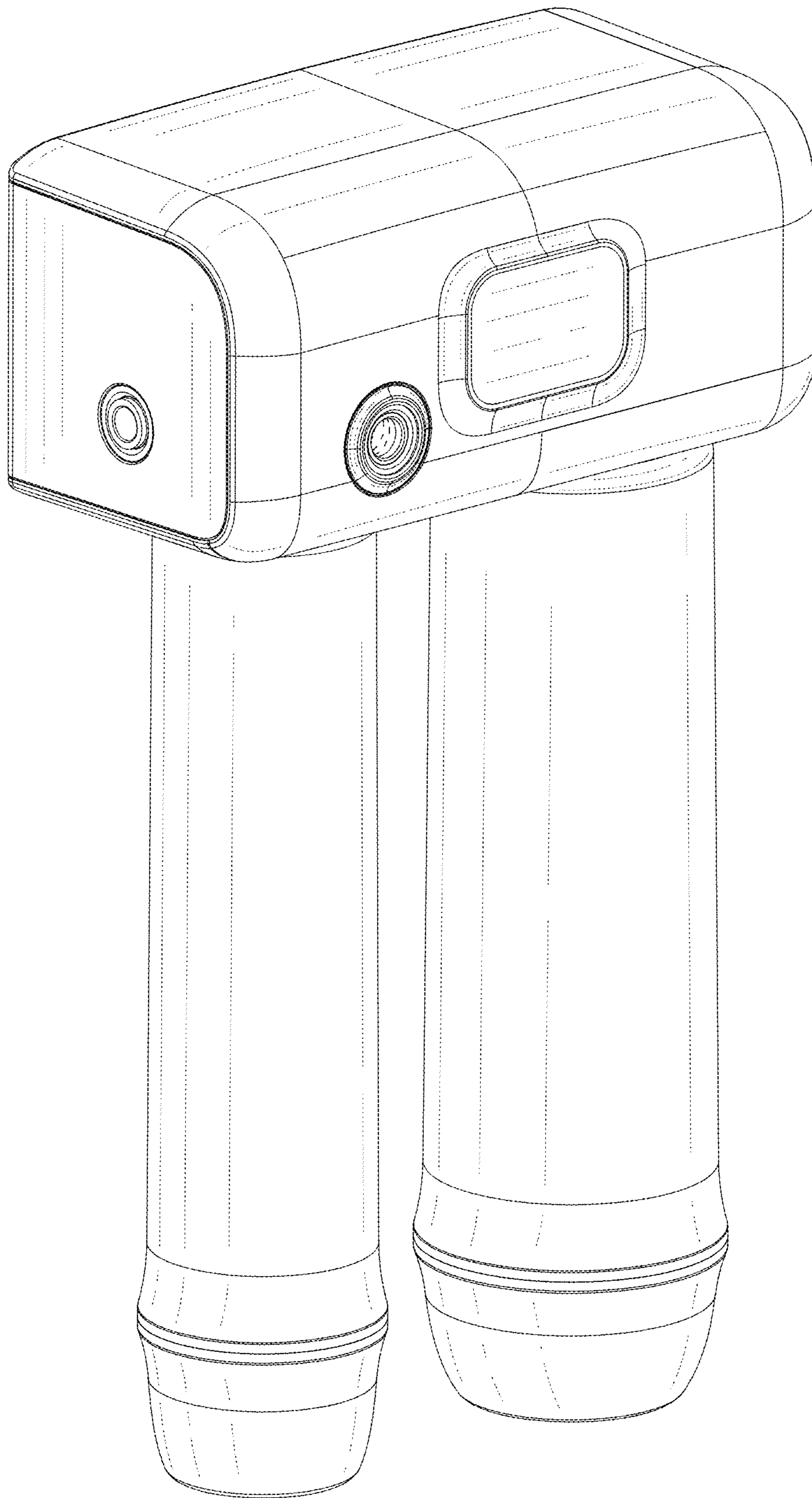


FIG. 1

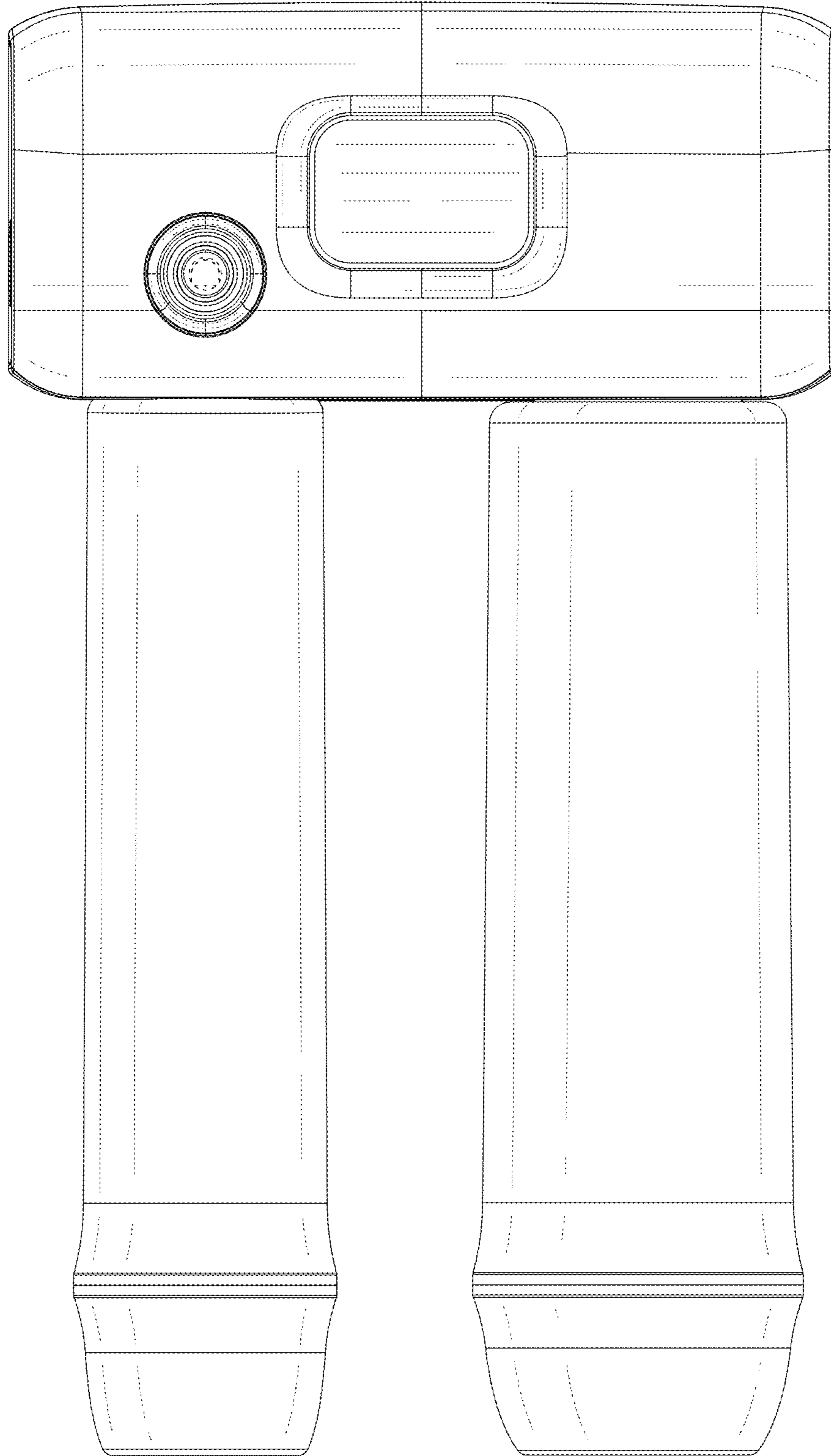


FIG. 2

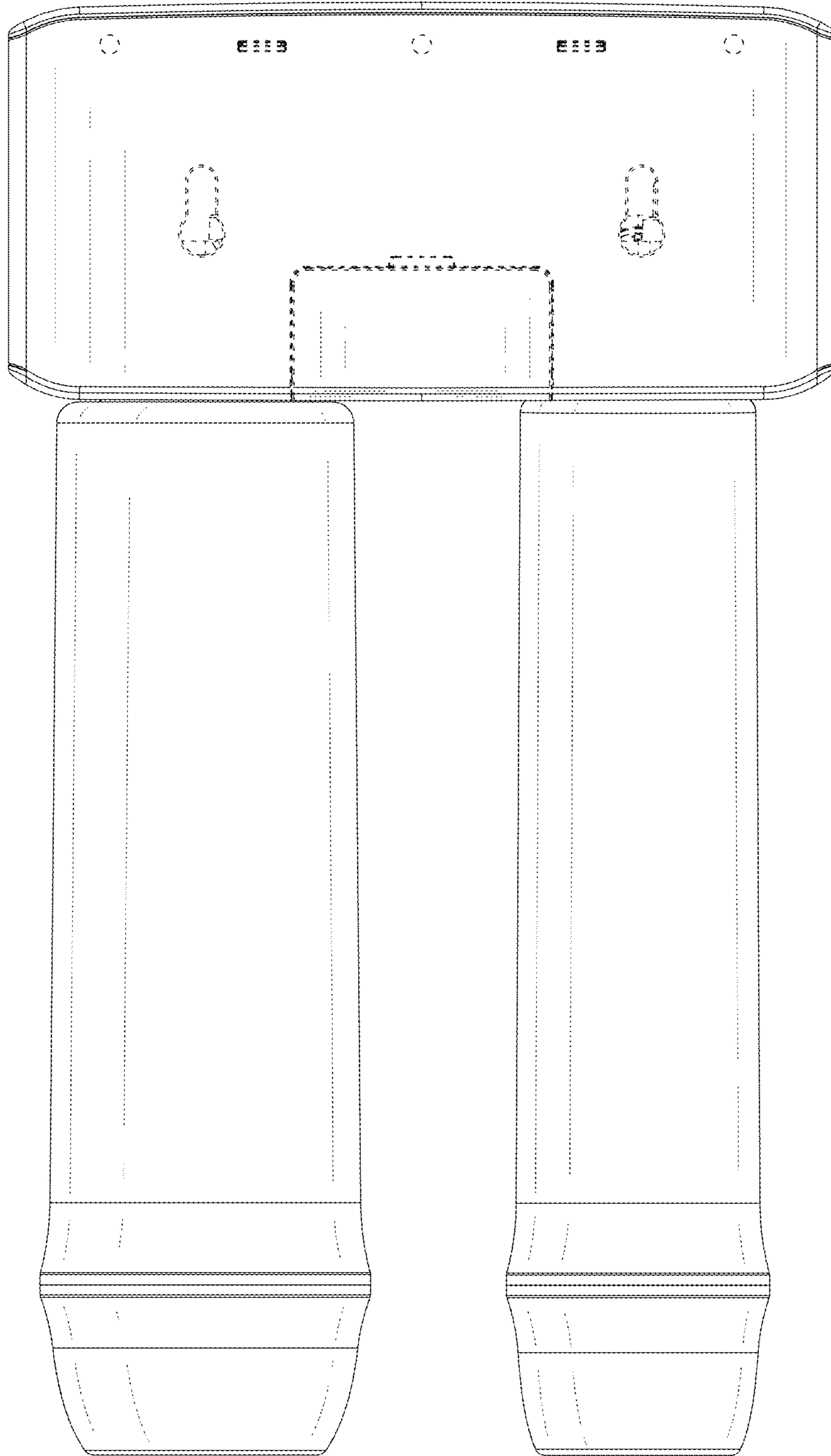


FIG. 3

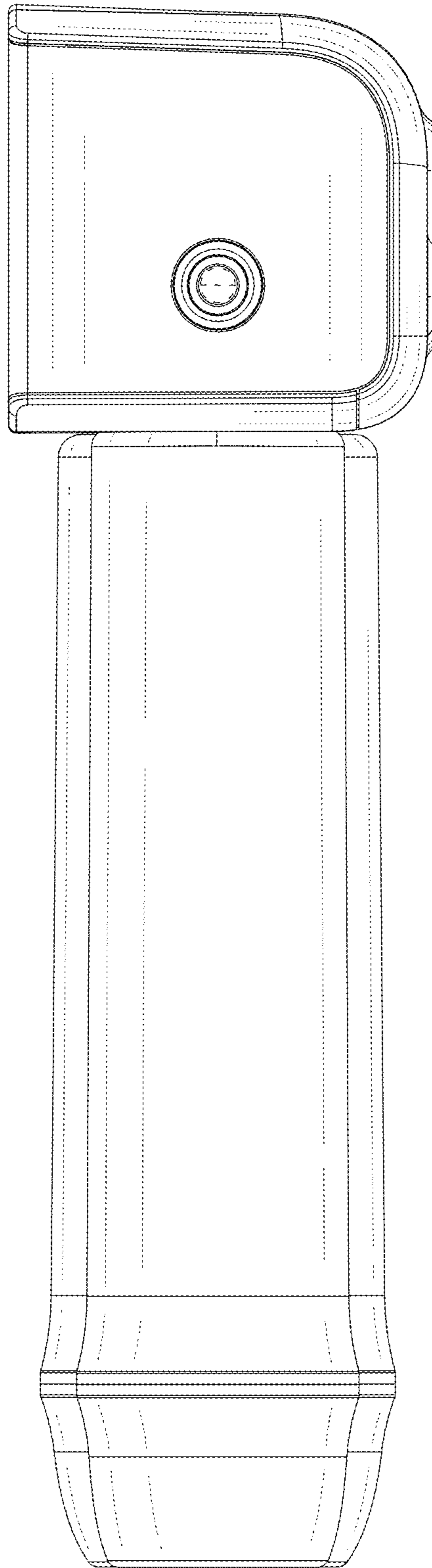


FIG. 4

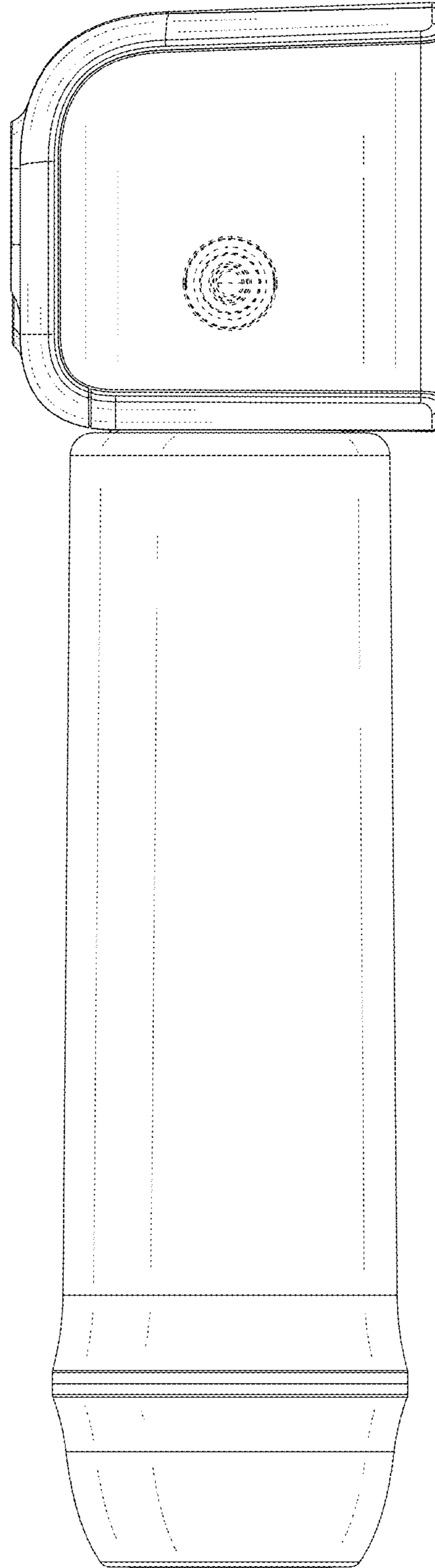


FIG. 5

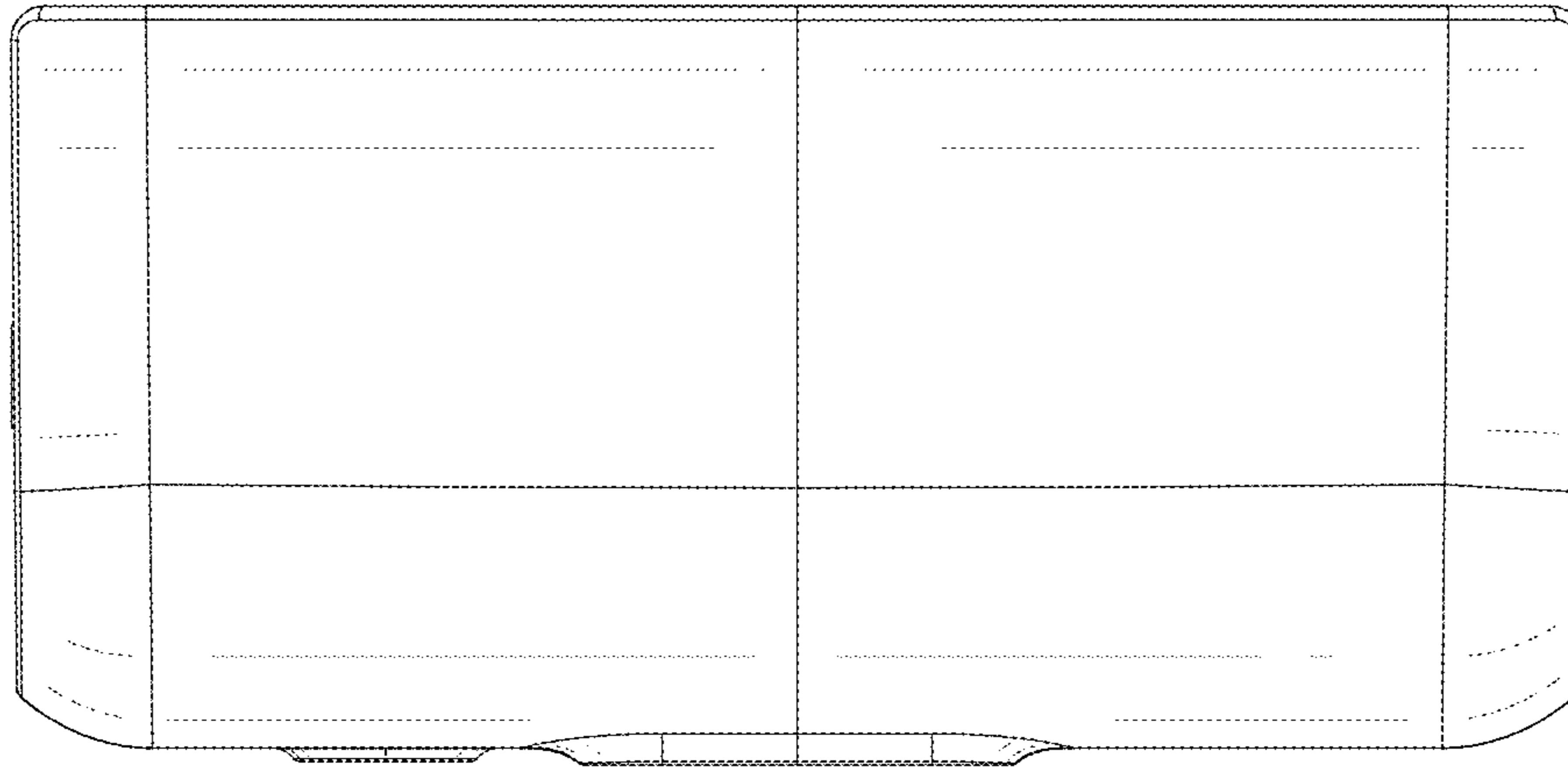


FIG. 6

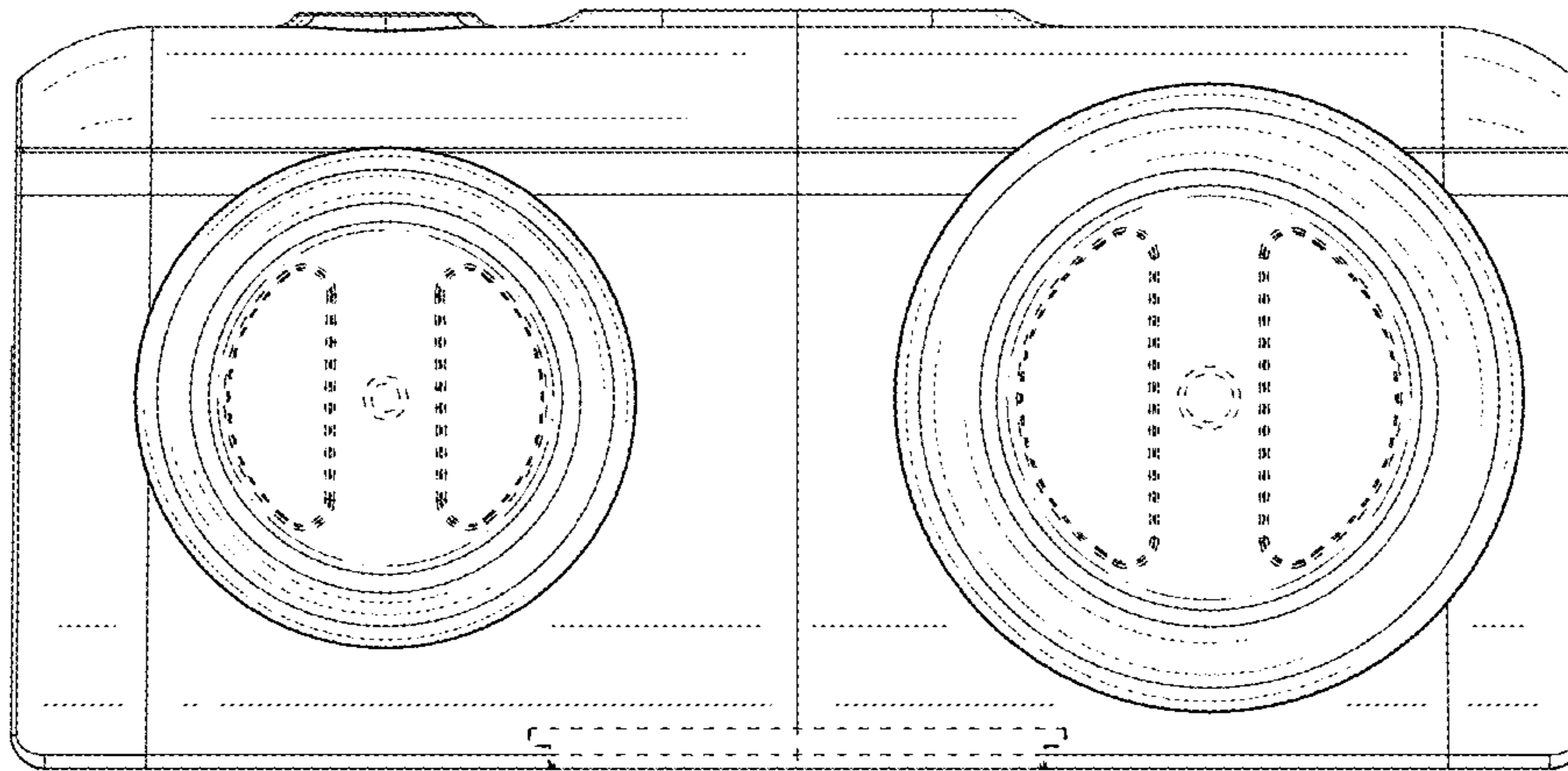


FIG. 7