



US00D946107S

(12) **United States Design Patent**
Chojnacki et al.

(10) **Patent No.:** **US D946,107 S**

(45) **Date of Patent:** **** Mar. 15, 2022**

(54) **LINKABLE INSECT REPELLER STATION**

D761,932 S * 7/2016 Zhang D22/122
D776,228 S * 1/2017 Caruso D22/122
D818,558 S * 5/2018 Wang D22/122

(71) Applicant: **Thermacell Repellents, Inc.**, Bedford, MA (US)

(72) Inventors: **Adam Chojnacki**, Carlisle, MA (US);
Robert G. Holmes, Jr., Clinton, MA (US);
Steven M. Bourque, Billerica, MA (US)

(73) Assignee: **Thermacell Repellents, Inc.**, Bedford, MA (US)

(**) Term: **15 Years**

(21) Appl. No.: **29/746,230**

(22) Filed: **Aug. 12, 2020**

(51) **LOC (13) Cl.** **22-06**

(52) **U.S. Cl.**
USPC **D22/122**

(58) **Field of Classification Search**
USPC D22/122
CPC A01M 1/02; A01M 1/04; A01M 1/106;
A01M 1/22; A01M 1/223; A01M 2200/01;
A01M 2200/0211; A01M 2200/012;
A01M 29/12; A01M 29/16
See application file for complete search history.

(56) **References Cited**

U.S. PATENT DOCUMENTS

4,452,006 A * 6/1984 Steck A01M 1/106
43/107
5,899,018 A * 5/1999 Gordon A01M 1/2011
43/131
D467,635 S * 12/2002 Andrews D22/122

OTHER PUBLICATIONS

https://www.amazon.com/Thermacell-Outdoor-Mosquito-Repellent-Graphite/dp/B07VQKWJQ3/ref=sr_1_66?gclid=EAAlQobChMI-M6l14iy9QIVFXxvBB0LIQvXEAAAYAiAAEgIK2_D_BwE&hvadid=492938716006&hvdev=c&hvlocphy=9007852&hvnetw=g&hvqmt=e&hvrnd=16886806660879771967&hvtargid=kwd-325971911942&hydacr=29860_10638341&keywords=thermacell+repellents+inc&qid=1642192264&sr=8-66 (Year: 2019).*

* cited by examiner

Primary Examiner — Catherine R Oliver-Garcia
(74) *Attorney, Agent, or Firm* — MacMillan, Sobanski & Todd, LLC

(57) **CLAIM**

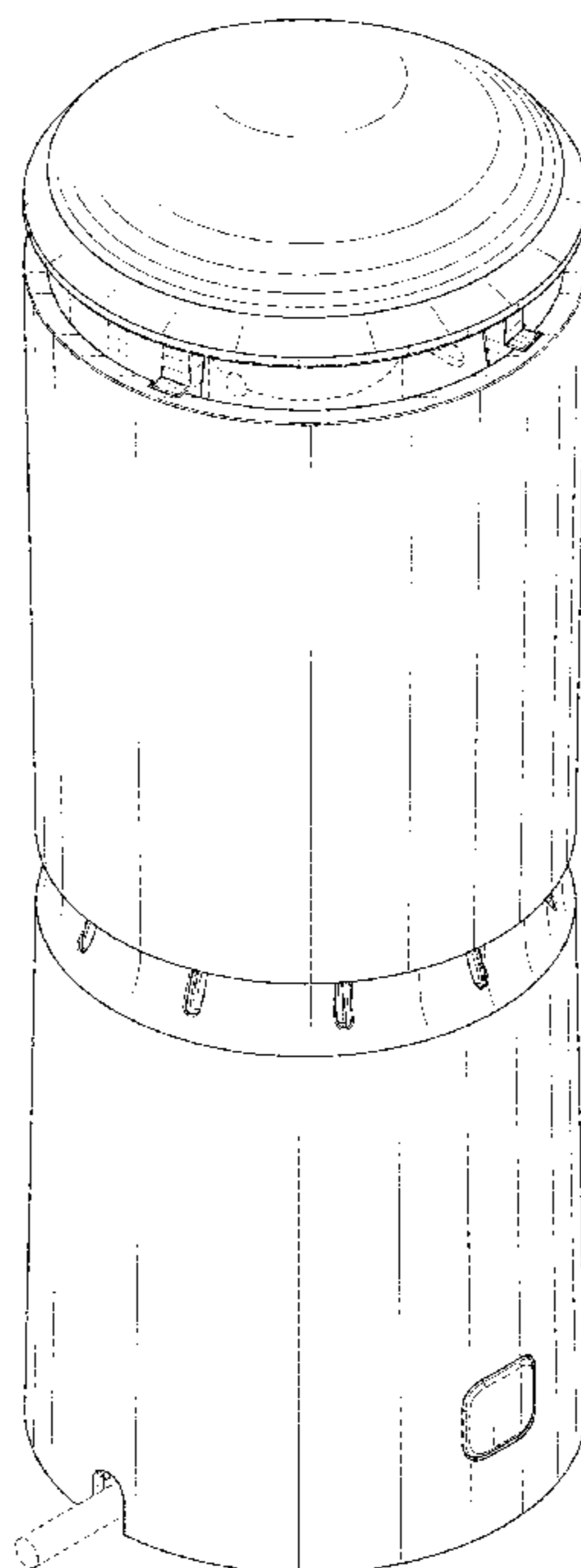
The ornamental design for a linkable insect repeller station, as shown and described.

DESCRIPTION

FIG. 1 is a perspective view of a linkable insect repeller station according to the design;
FIG. 2 is a right side elevational view thereof;
FIG. 3 is a left side elevational view thereof;
FIG. 4 is a rear elevational view thereof;
FIG. 5 is a front elevational view thereof;
FIG. 6 is a top plan view thereof; and,
FIG. 7 is a bottom plan view thereof.

The broken lines in the figures illustrate portions of the linkable insect repeller station and form no part of the claimed design.

1 Claim, 6 Drawing Sheets



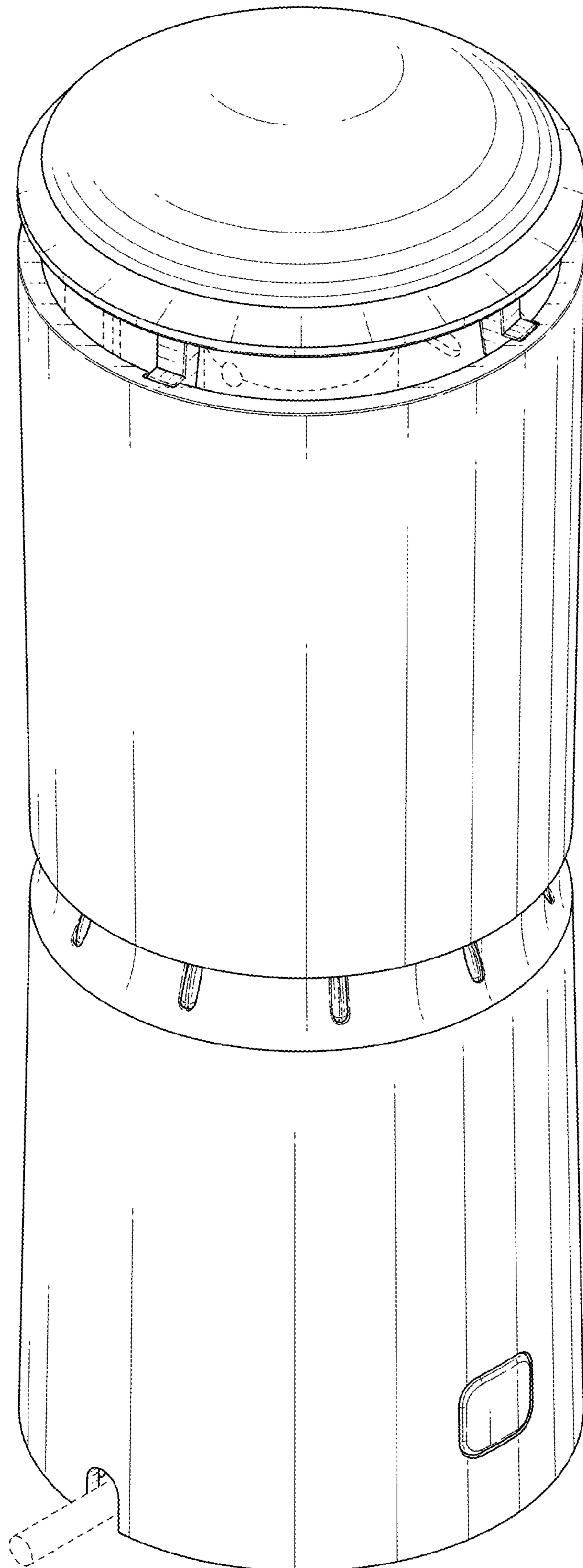


FIG. 1

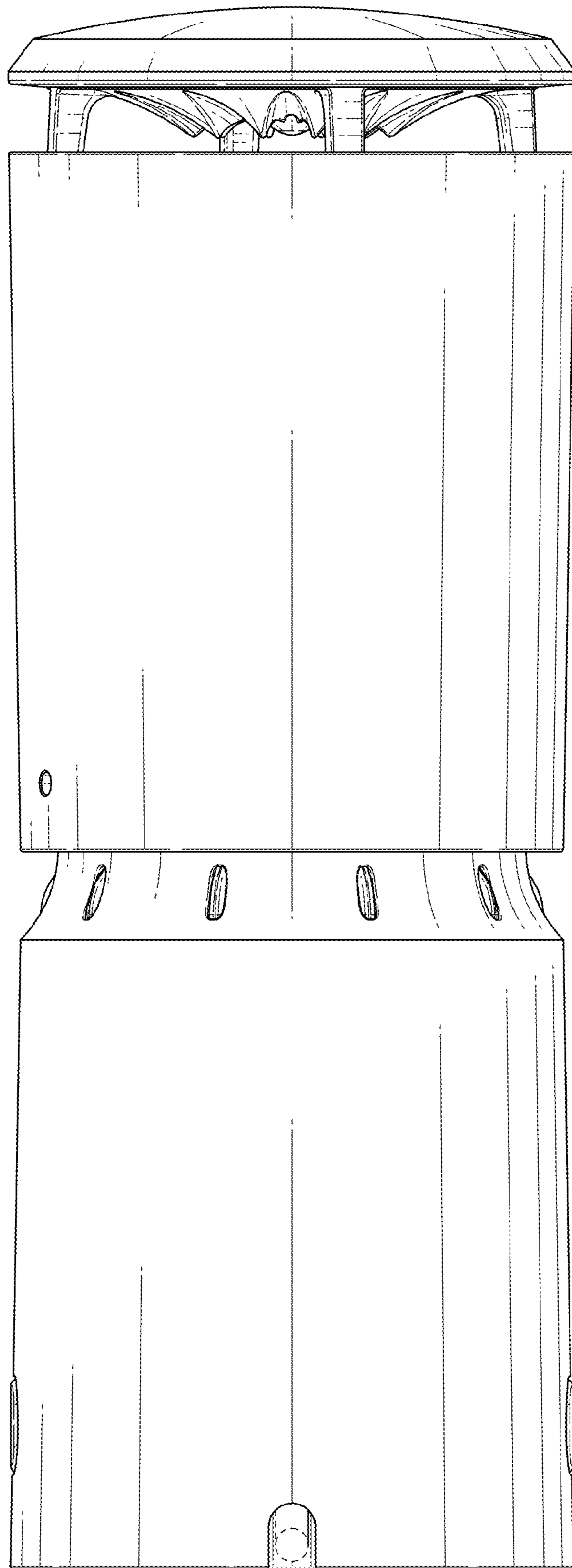


FIG. 2

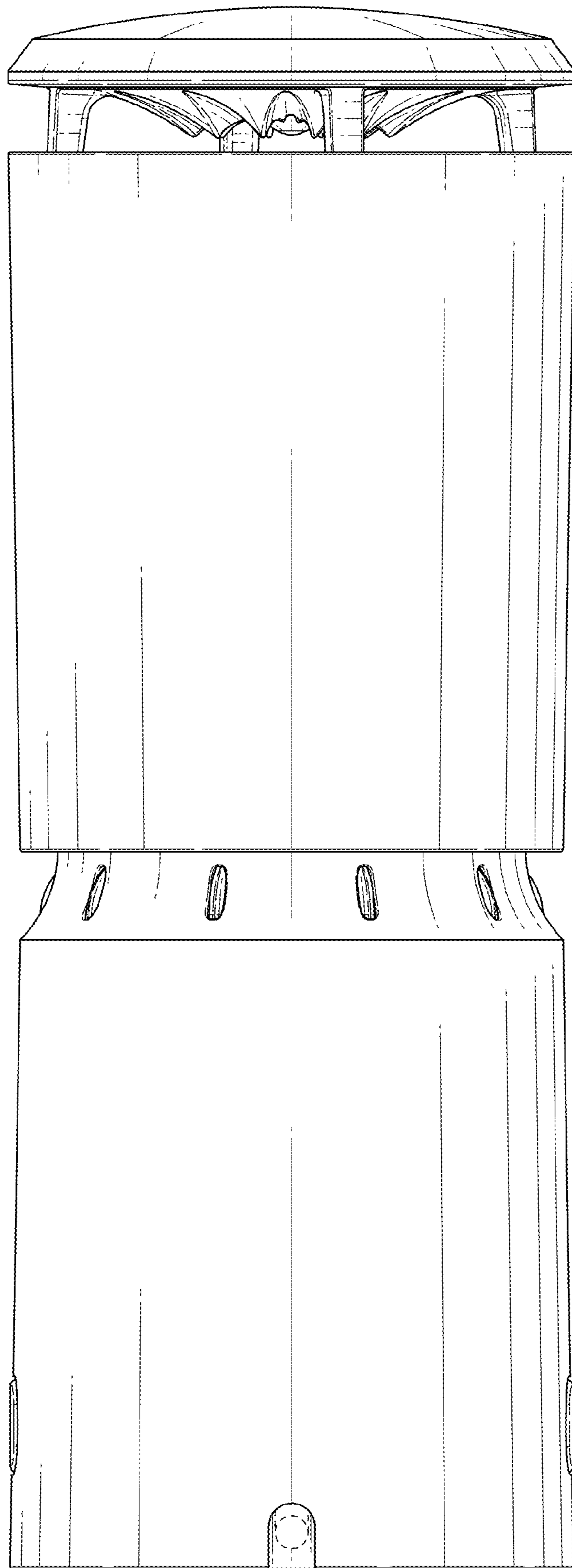


FIG. 3

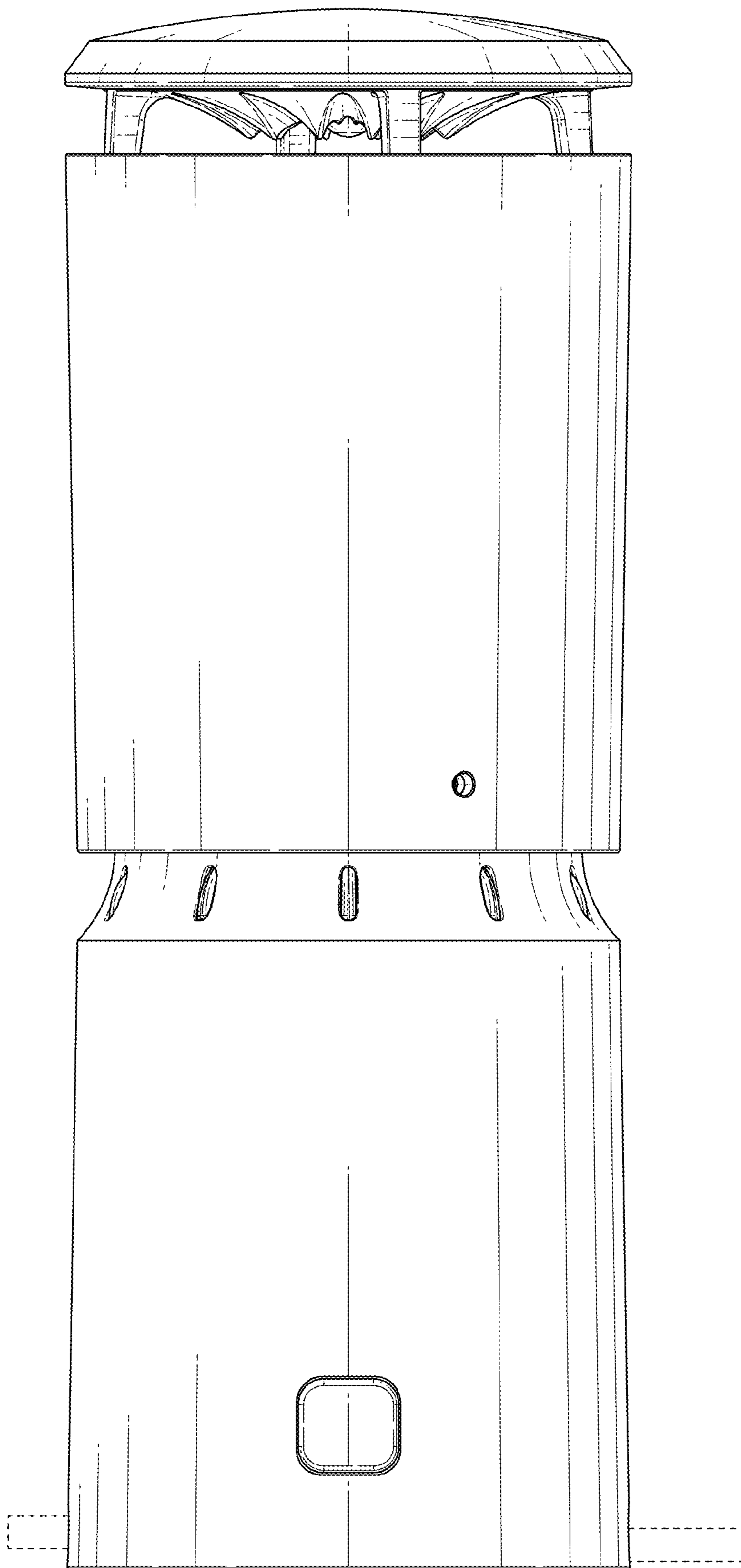


FIG. 4

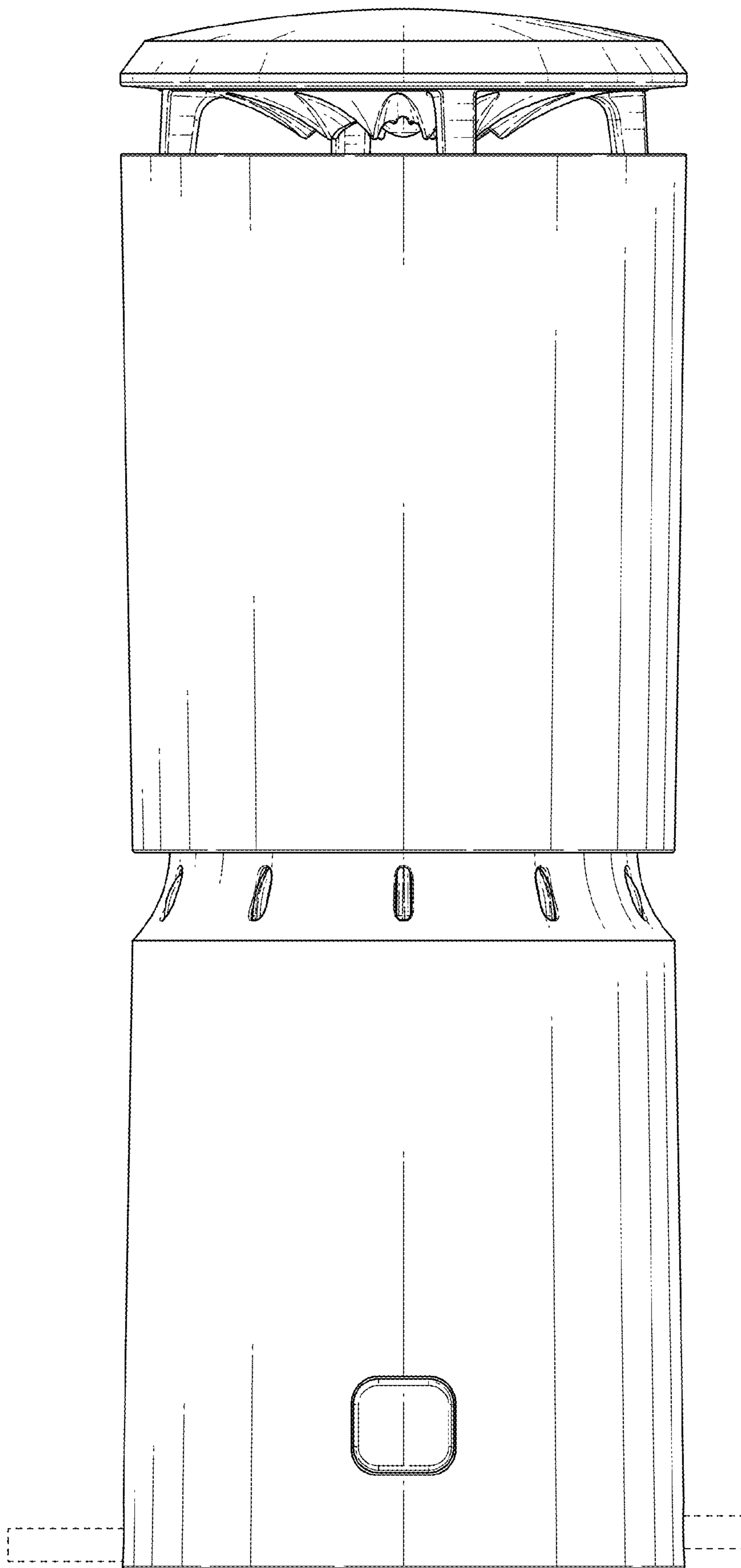


FIG. 5

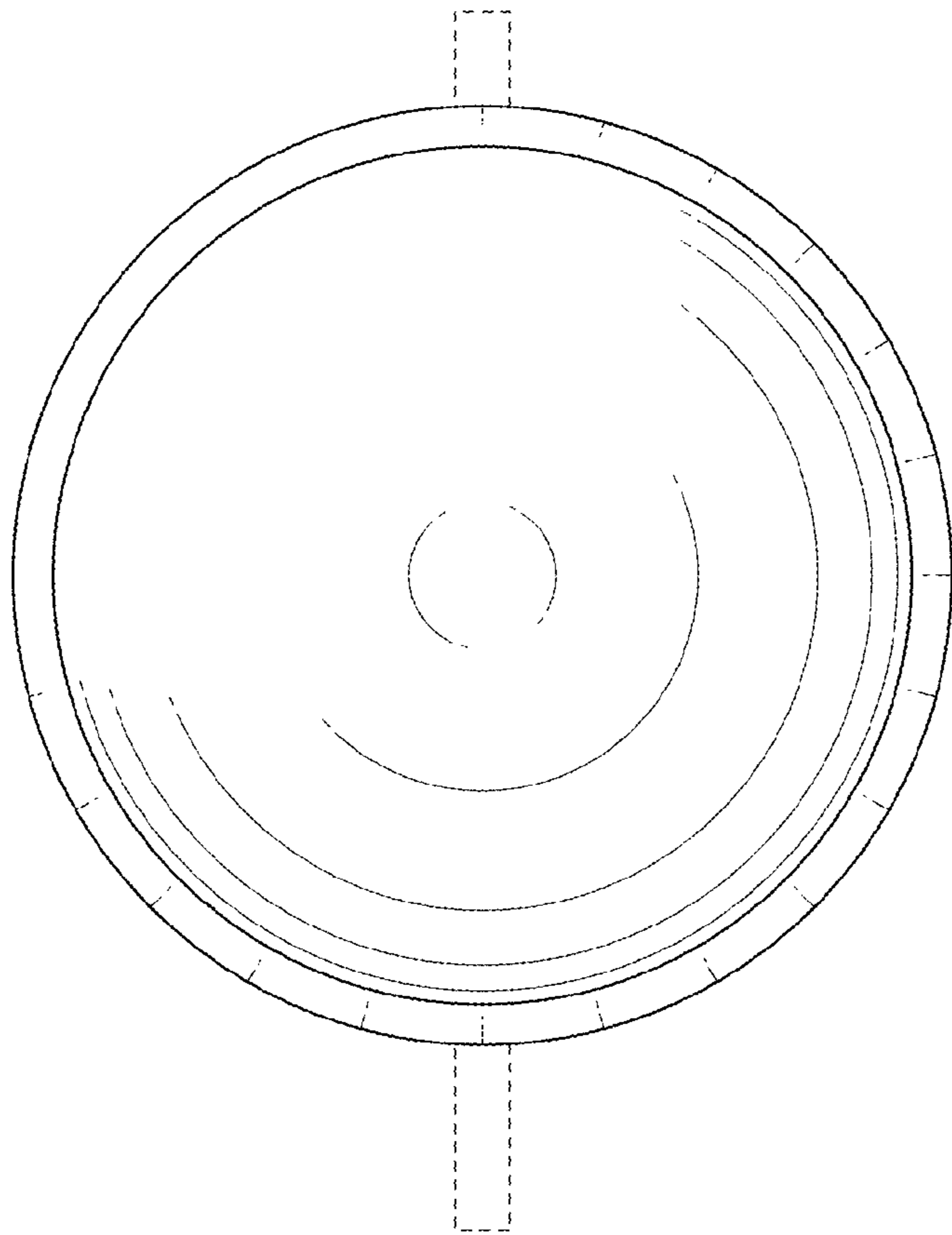


FIG. 6

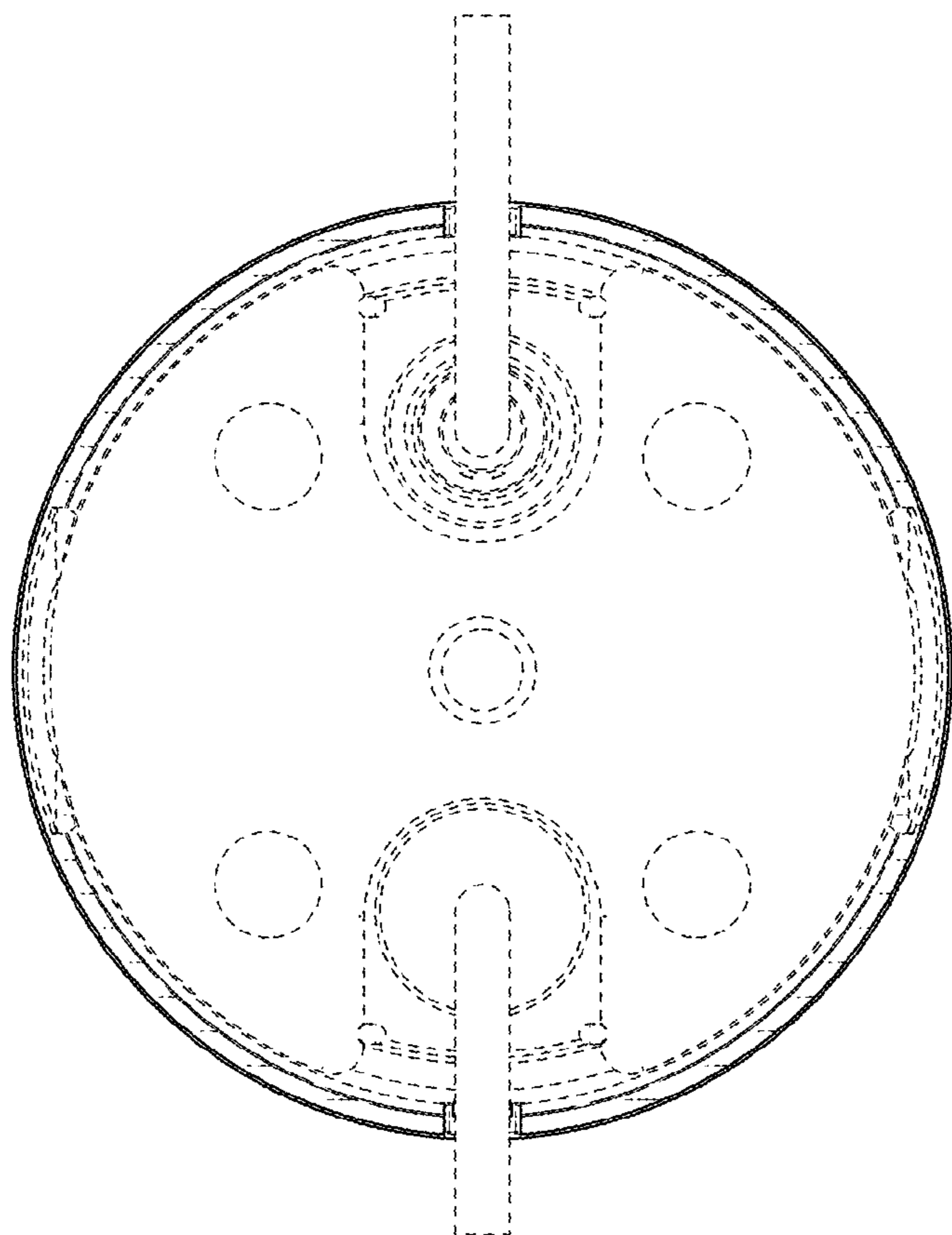


FIG. 7