



(12) **United States Design Patent**
Webb et al.

(10) **Patent No.:** **US D946,104 S**
(45) **Date of Patent:** **** Mar. 15, 2022**

(54) **COLLAPSIBLE TABLE TENNIS TABLE**

(71) Applicant: **Indian Industries, Inc.**, Evansville, IN (US)

(72) Inventors: **Daniel L. Webb**, Newburgh, IN (US);
Michael Guerzini, Newburgh, IN (US)

(73) Assignee: **Indian Industries, Inc.**, Evansville, IN (US)

(**) Term: **15 Years**

(21) Appl. No.: **29/704,362**

(22) Filed: **Sep. 4, 2019**

Related U.S. Application Data

(63) Continuation of application No. 16/038,434, filed on Jul. 18, 2018, now abandoned.

(51) **LOC (13) Cl.** **21-02**

(52) **U.S. Cl.**
USPC **D21/799.2**

(58) **Field of Classification Search**
USPC D21/397, 799.2; D6/331, 368, 391, 392, D6/656.13, 656.14, 686, 691, 691.1, D6/691.2, 691.3, 691.6, 691.7, 692.4, D6/692.5, 693.1, 695.1, 695.4, 695.5, D6/696.3, 696.4, 697.1, 698, 708, 708.16; 473/496; 108/34, 38, 157.1, 157.17, 167, 108/169, 188, 115, 118, 127, 128, 129; 248/165, 166, 167, 432, 435, 436, 188.6
(Continued)

(56) **References Cited**

U.S. PATENT DOCUMENTS

1,444,678 A * 2/1923 Fury A47B 3/02 108/25
1,995,543 A 3/1935 Kaser
(Continued)

FOREIGN PATENT DOCUMENTS

CN 305251036 * 7/2019
GB 6020103 * 10/2017
JP D1144125 * 6/2002

OTHER PUBLICATIONS

Bora Centipede 2x4 Feet Work Stand and Portable Table shown on webpage: <https://www.amazon.co.uk/Bora-Centipede-Portable-Sawhorse-CK6S/dp/B0001LQW82> . Product availability date displayed: Feb. 19, 2004 [Accessed Jan. 2, 2021] (Year: 2021).*

(Continued)

Primary Examiner — Catherine A Tuttle
(74) *Attorney, Agent, or Firm* — Woodard, Emhardt, Henry, Reeves & Wagner, LLP

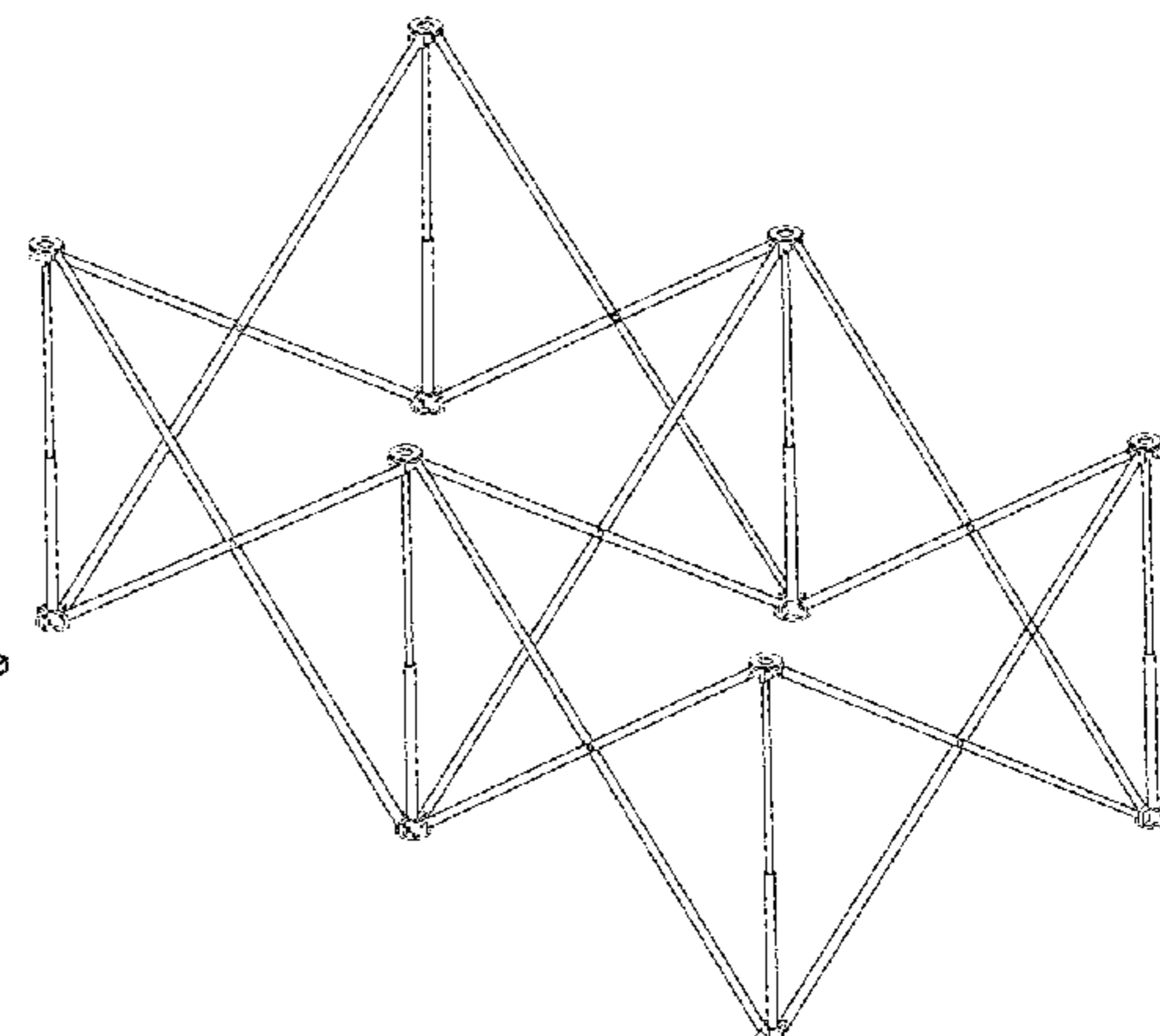
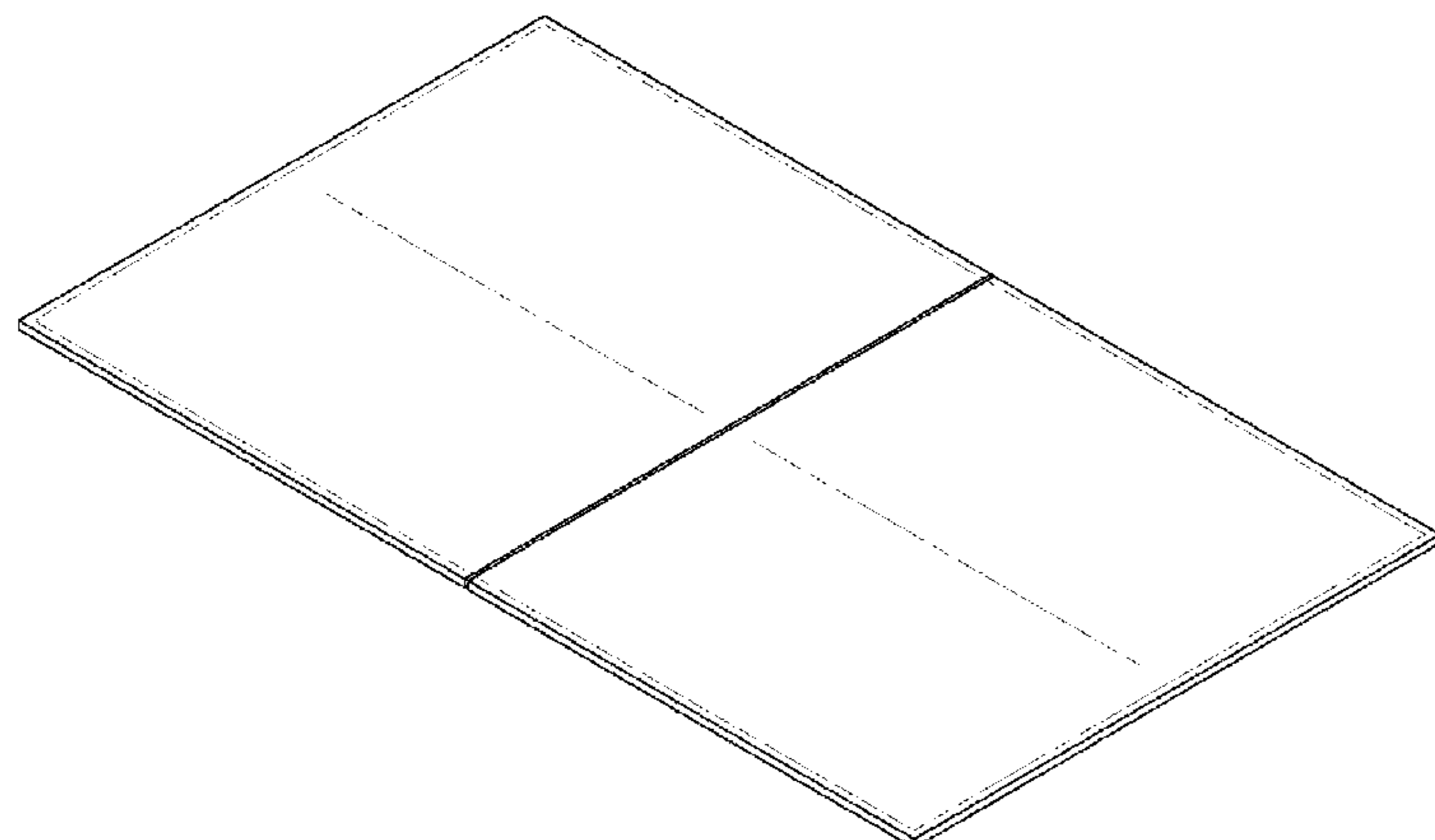
(57) **CLAIM**

The ornamental design for a collapsible table tennis table, as shown and described.

DESCRIPTION

FIG. 1 is a perspective view showing the separable table top component in isolation to clarify the disassembled appearance of the design;
FIG. 2 is a perspective view of the table top component in its collapsed configuration;
FIG. 3 is a perspective view showing the separable base component of FIG. 1 in isolation to clarify the disassembled appearance of the design;
FIG. 4 is a perspective view of the base component shown in a folded configuration;
FIG. 5 is a top view of the assembled configuration in FIG. 1;
FIG. 6 is a bottom view thereof;
FIG. 7 is a side view thereof; and,
FIG. 8 is a front view thereof.

1 Claim, 5 Drawing Sheets



US D946,104 S

Page 2

(58) **Field of Classification Search**

CPC A63B 67/04; A63B 67/045; A47B 25/003;
A47B 2025/006; A47B 3/02; A47B 3/06;
A47B 3/083; A47B 3/087; A47B
2003/002; A47B 2003/004; A47B
2003/0835; A47B 2003/12; A63D 1/02
See application file for complete search history.

D569,638 S * 5/2008 Ballard D6/368
7,509,695 B2 3/2009 Zheng
7,703,401 B2 * 4/2010 Davis E04H 3/28
108/156
7,704,170 B2 4/2010 Julian et al.
7,727,091 B2 6/2010 Allen
8,074,669 B2 12/2011 Collins et al.
8,397,651 B2 * 3/2013 Levy A47B 87/002
108/64

(56) **References Cited**

U.S. PATENT DOCUMENTS

2,057,334 A 10/1936 Hannum
2,719,067 A * 9/1955 Percy A47B 3/087
108/35
3,078,095 A 2/1963 Wolf
3,567,222 A 3/1971 Robins
D239,670 S * 4/1976 Varea D6/382
5,375,837 A 12/1994 Moreau
5,645,259 A * 7/1997 Chen A47B 3/12
248/436
5,794,546 A * 8/1998 Carter A47B 3/12
108/115
5,816,957 A 10/1998 Dadbeh
D422,430 S * 4/2000 Wilton D6/691
6,073,894 A * 6/2000 Chen A47J 37/0786
108/115
6,079,338 A * 6/2000 Yeh A47B 13/12
108/115
6,499,705 B1 * 12/2002 Tsai F16M 11/22
211/200
6,564,402 B1 5/2003 Lin
6,916,258 B2 7/2005 Dadbeh
6,986,722 B2 1/2006 Dadbeh
7,044,067 B2 5/2006 Saccomandi
7,250,013 B2 7/2007 Hao

9,021,964 B2 5/2015 Peng
D748,407 S * 2/2016 Akkad D6/392
D809,083 S * 1/2018 Fritschy D21/799.2
2002/0119844 A1 * 8/2002 Dadbeh A63B 67/04
473/496
2004/0051009 A1 * 3/2004 Chen A47B 3/02
248/163.1
2004/0079261 A1 4/2004 Nally
2004/0084581 A1 * 5/2004 Chang B25H 1/14
248/166
2005/0199162 A1 * 9/2005 Hendricks A47B 3/02
108/118
2005/0274298 A1 12/2005 Paulin
2007/0277709 A1 12/2007 Carter
2008/0189855 A1 * 8/2008 Zheng A47C 19/14
5/116
2011/0177893 A1 * 7/2011 Abramson A47B 25/003
473/496
2012/0304901 A1 12/2012 Volin
2017/0035194 A1 * 2/2017 Frankel A47B 3/087

OTHER PUBLICATIONS

Bora Centipede Support System [online]; [retrieved on Jul. 17, 2018]; Retrieved from <http://centipedetool.com>.

* cited by examiner

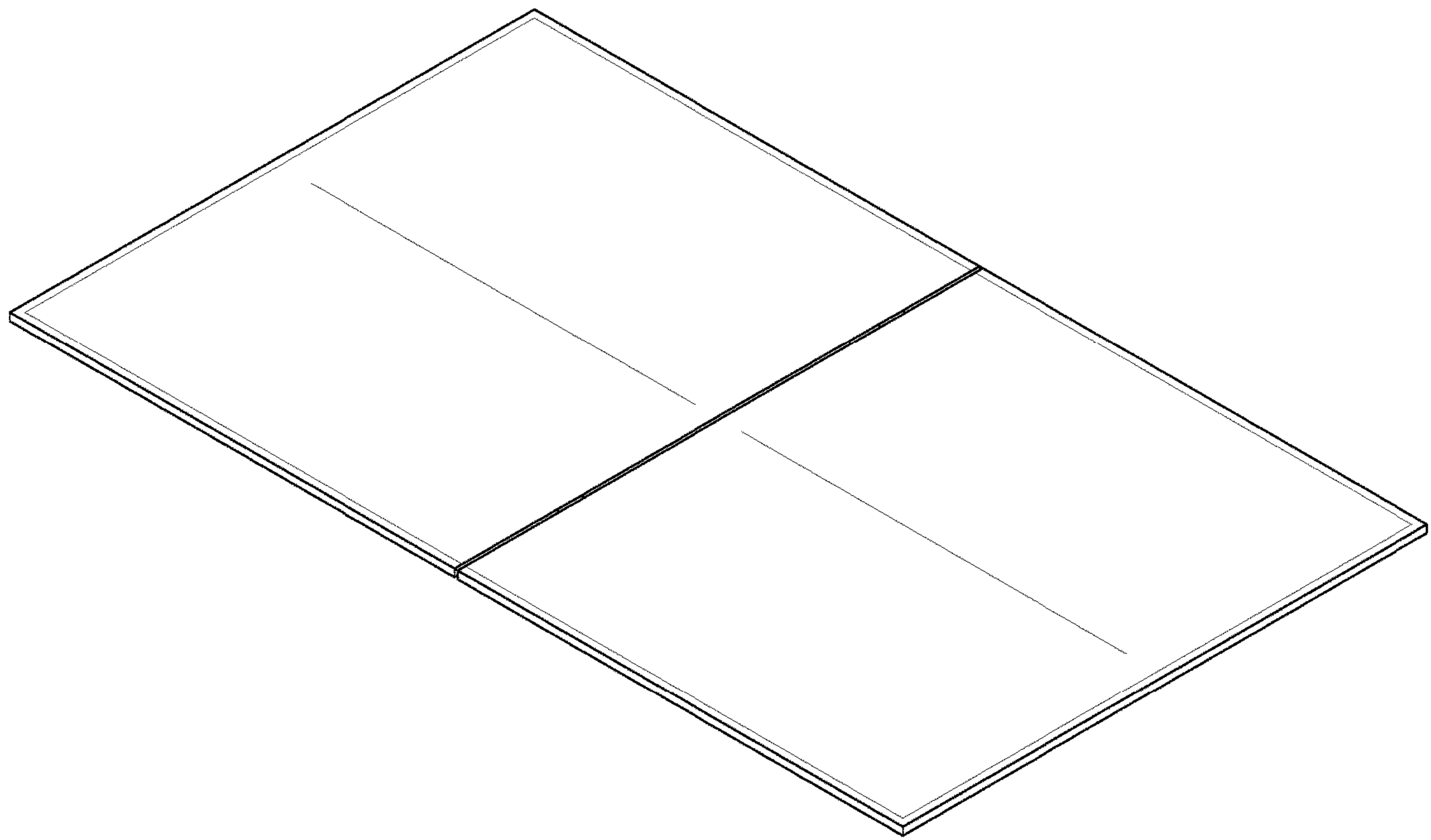


Fig. 1

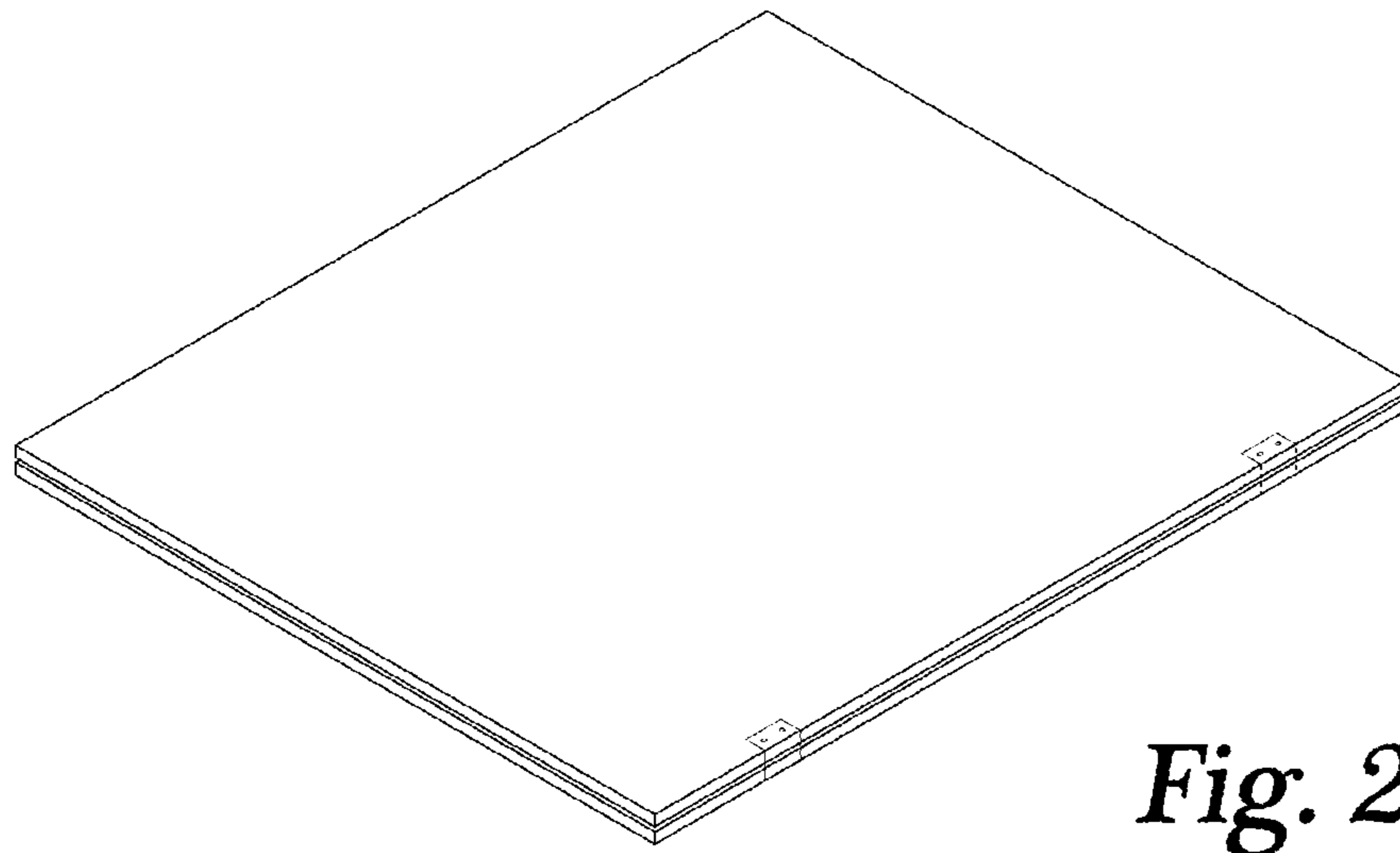


Fig. 2

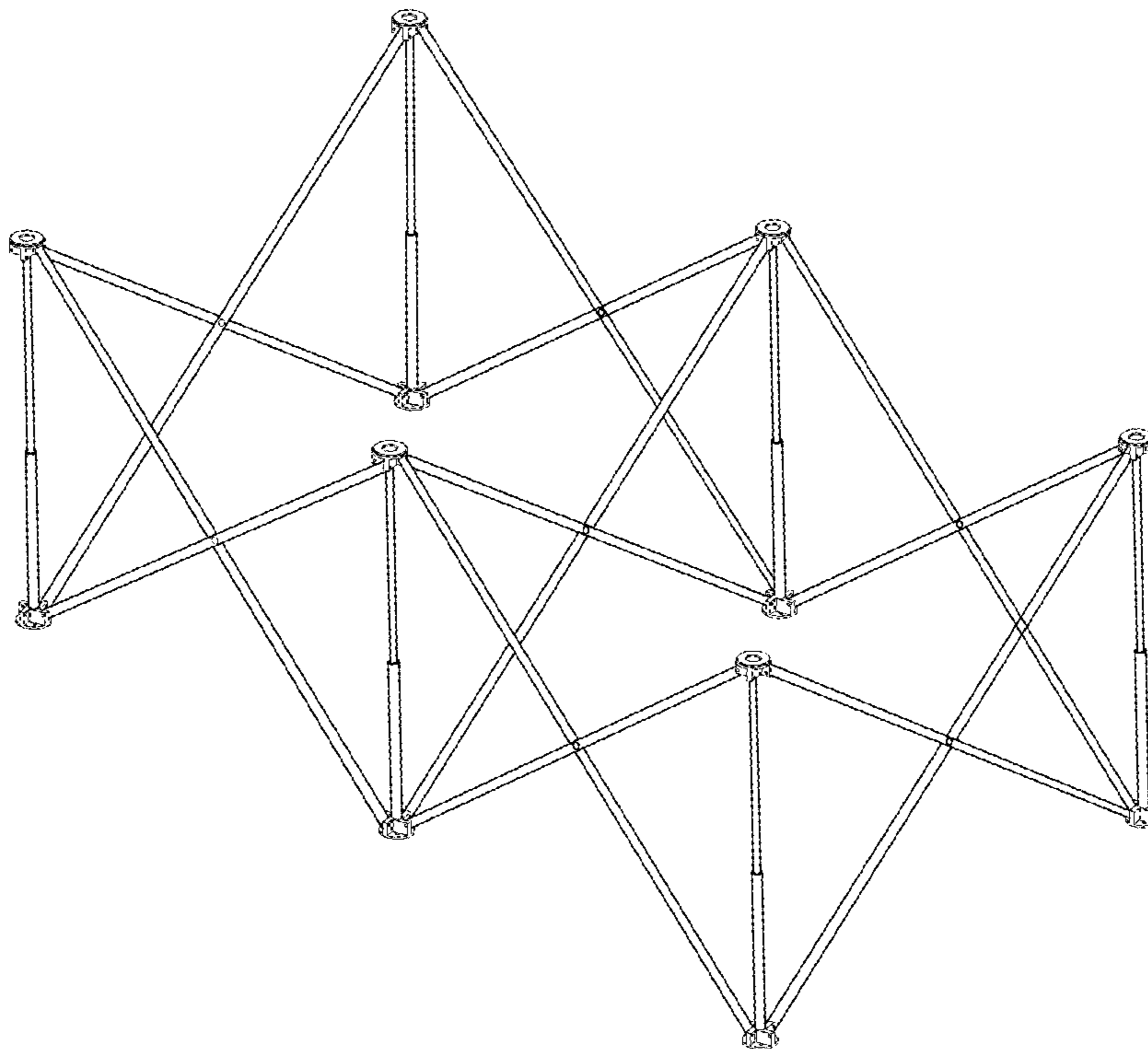


Fig. 3

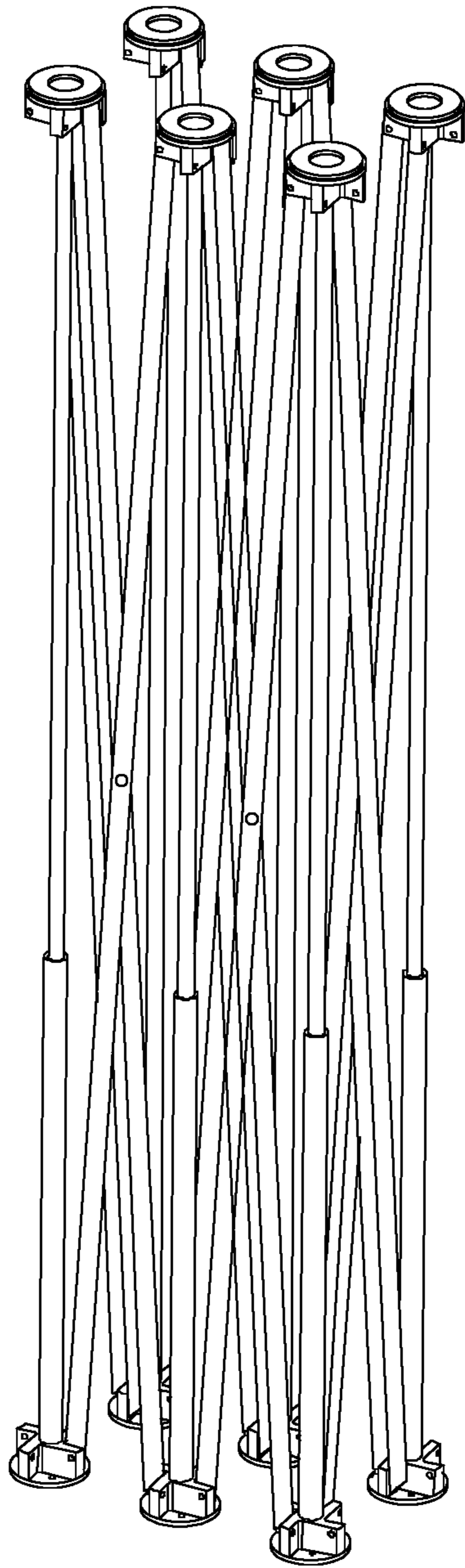


Fig. 4

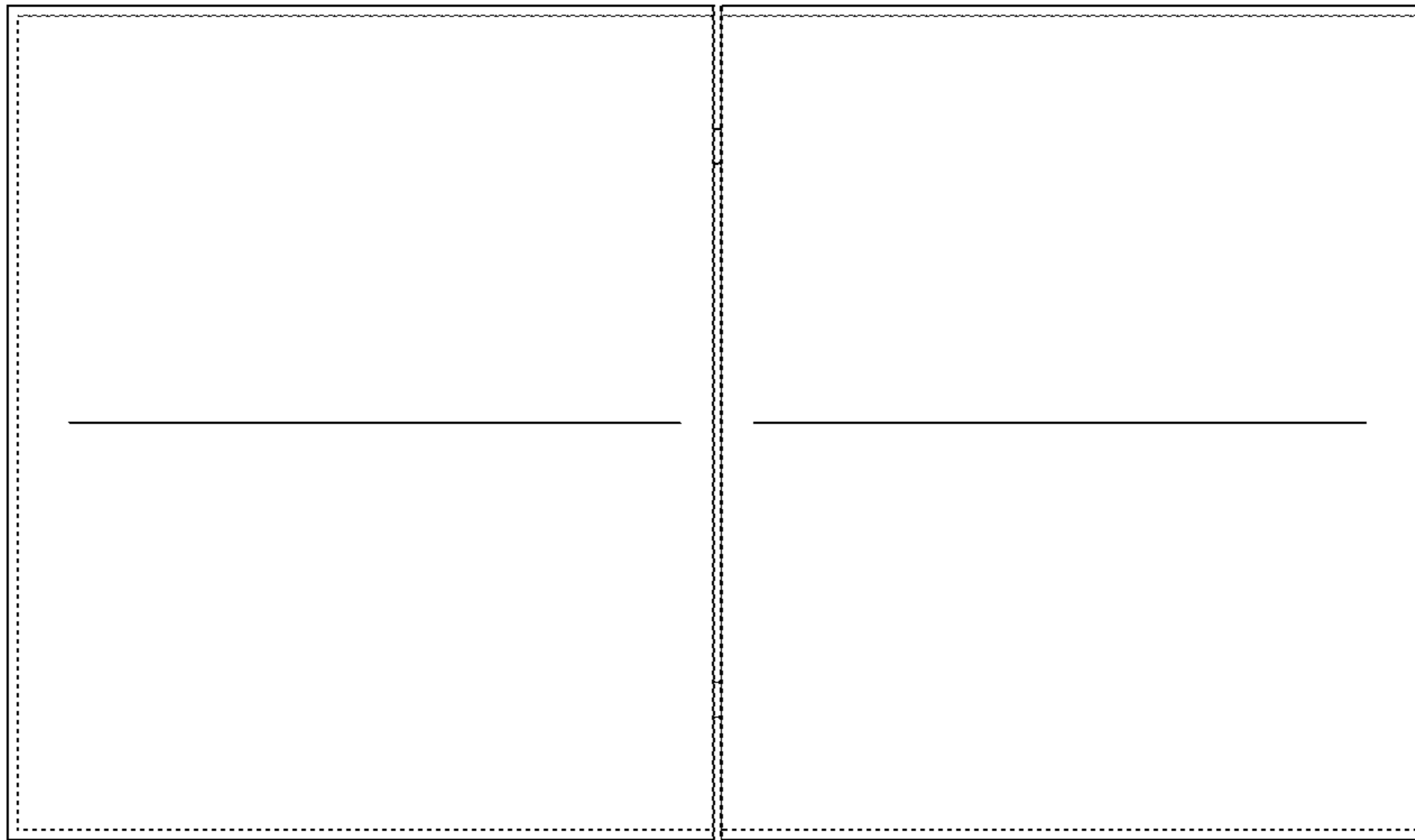


Fig. 6

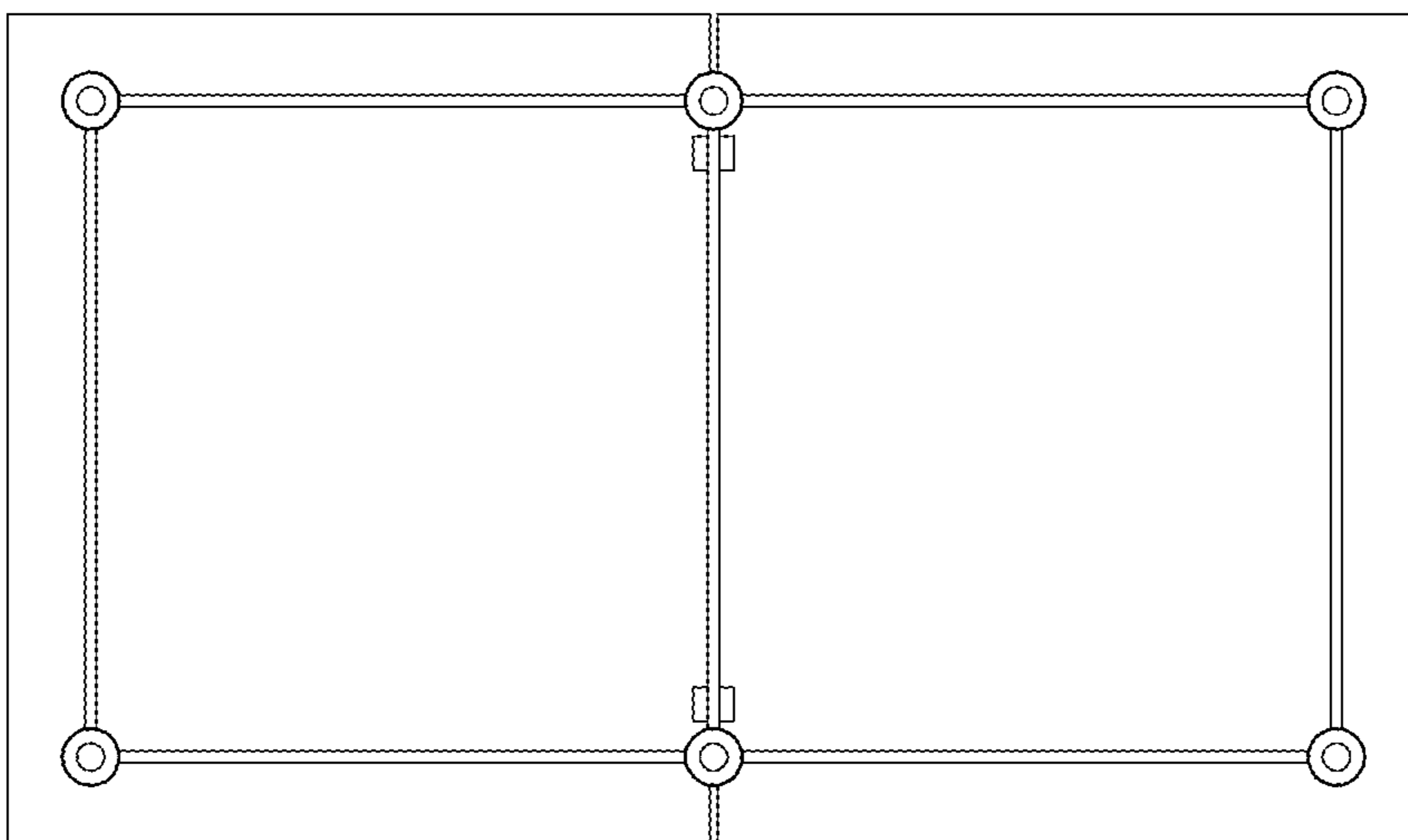


Fig. 5

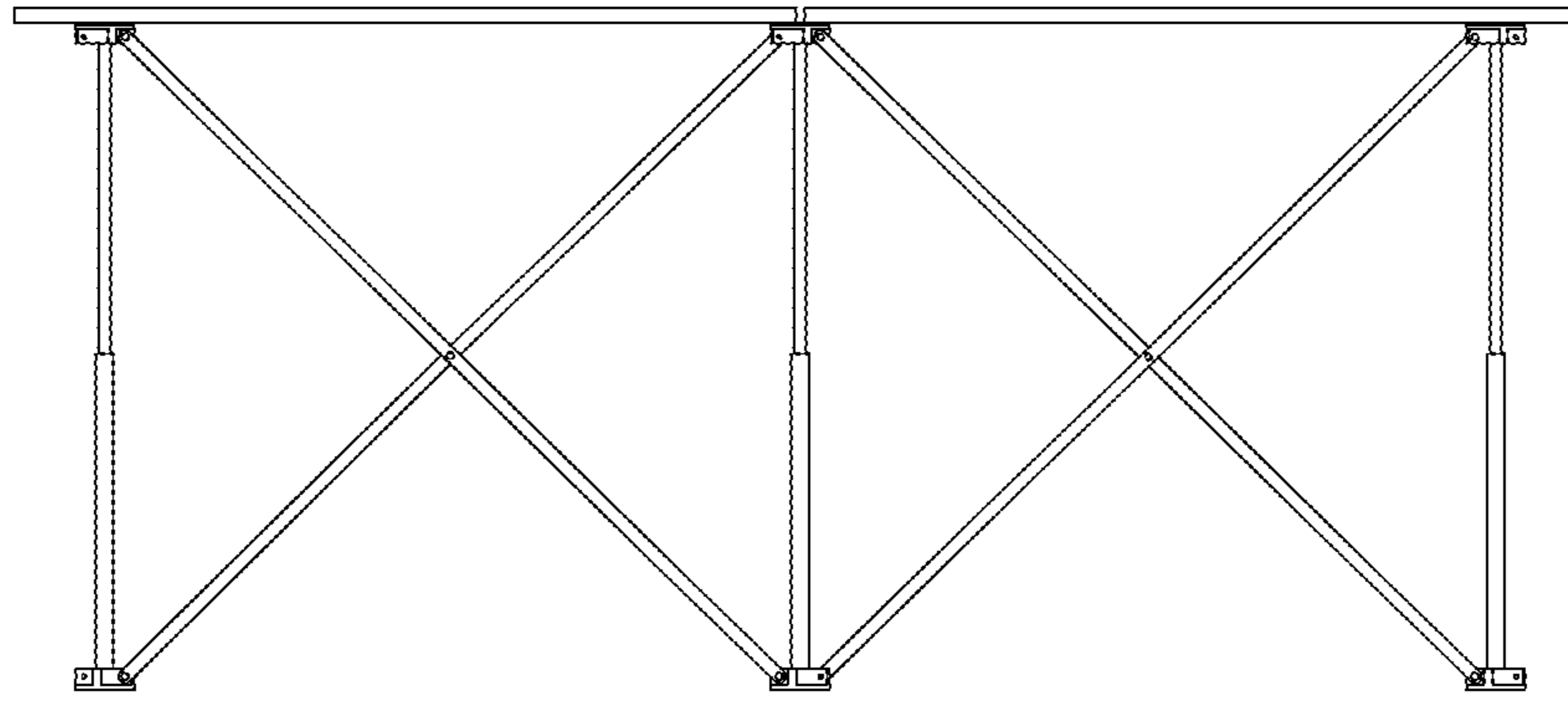


Fig. 7

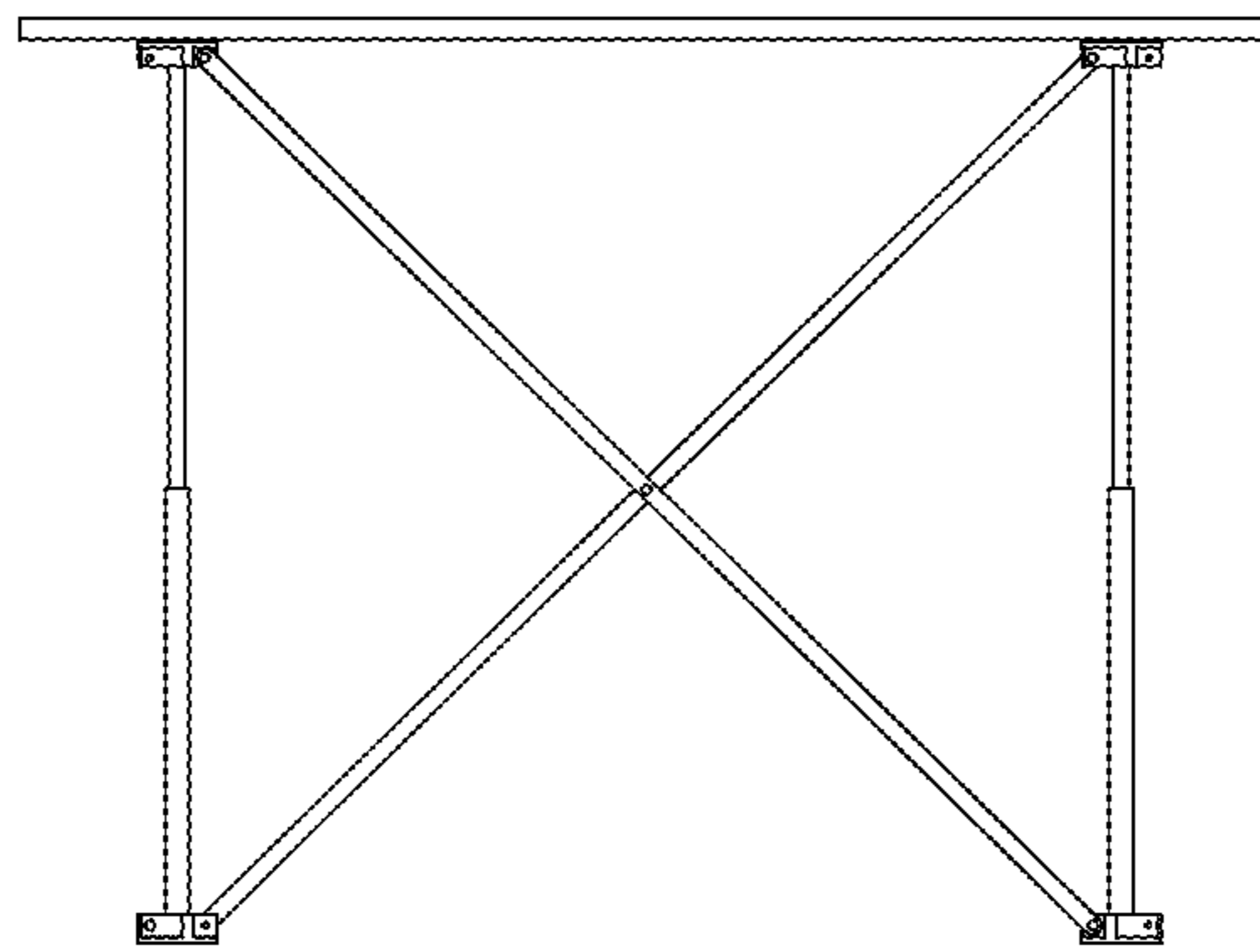


Fig. 8