



US00D946102S

(12) **United States Design Patent**
Conde

(10) **Patent No.:** **US D946,102 S**

(45) **Date of Patent:** **** Mar. 15, 2022**

(54) **GOLF CLUB HOLDER**

2014/0309053 A1* 10/2014 Masse A63B 55/00
473/287

(71) Applicant: **JC International of VA, Inc.**, Rocky Mount, VA (US)

* cited by examiner

(72) Inventor: **John E Conde**, Rocky Mount, VA (US)

Primary Examiner — Mitchell I. Siegel

(73) Assignee: **JC International of VA, Inc.**, Rocky Mount, VA (US)

(74) *Attorney, Agent, or Firm* — Rhodes IP PLC;
Christopher R Rhodes

(**) Term: **15 Years**

(57) **CLAIM**

(21) Appl. No.: **29/706,527**

The ornamental design for a golf club holder, as shown and described.

(22) Filed: **Sep. 20, 2019**

(51) **LOC (13) Cl.** **21-02**

DESCRIPTION

(52) **U.S. Cl.**

USPC **D21/796**; D3/254

(58) **Field of Classification Search**

USPC D21/789, 796; D3/201, 254, 318, 328,
D3/904

CPC A63B 55/10; A63B 55/00

See application file for complete search history.

(56) **References Cited**

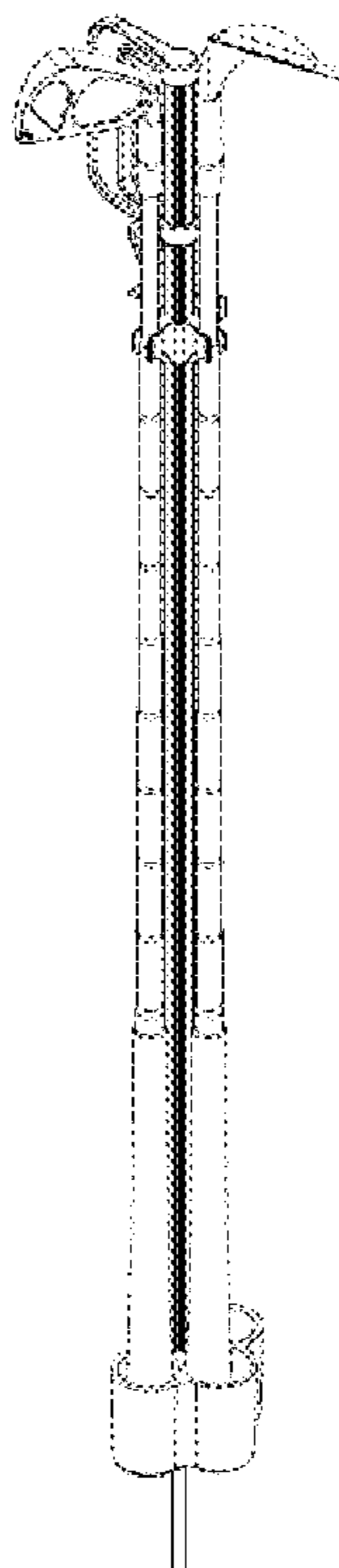
U.S. PATENT DOCUMENTS

- 699,391 A * 5/1902 Johnson A63B 55/10
211/70.2
- 5,417,334 A * 5/1995 Wu A63B 55/20
211/70.2
- D384,500 S * 10/1997 Muench D3/259
- D472,376 S * 4/2003 Wampler D21/796
- D480,870 S * 10/2003 Wampler D3/255
- D483,427 S * 12/2003 Lim D21/796
- D757,874 S * 5/2016 Conrad D21/796
- 2008/0006547 A1* 1/2008 Pace A63B 55/10
206/315.2
- 2011/0215013 A1* 9/2011 Young A63B 55/20
206/315.2

FIG. 1 is an environmental perspective view of the golf club holder, showing the new design;
 FIG. 2 is a perspective view of the golf club holder, showing the new design;
 FIG. 3 is a right side view of the golf club holder showing the new design;
 FIG. 4 is a left side view of the golf club holder showing the new design;
 FIG. 5 is a front view of the golf club holder showing the new design;
 FIG. 6 is a rear view of the golf club holder showing the new design;
 FIG. 7 is a top view of the golf club holder showing the new design; and,
 FIG. 8 is a bottom view of the golf club holder showing the new design.

The broken lines showing the golf clubs placed in the golf club holder forms no part of the claimed design.

1 Claim, 4 Drawing Sheets



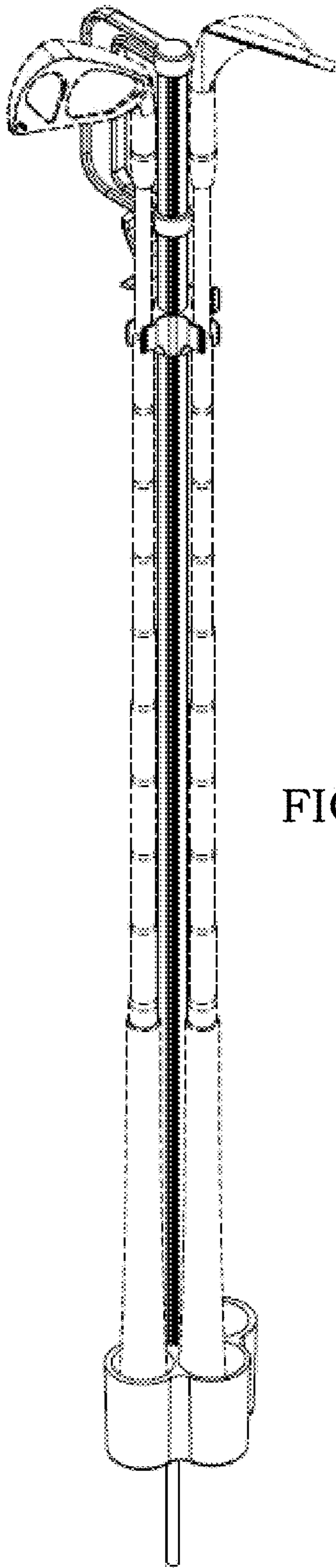


FIG. 1

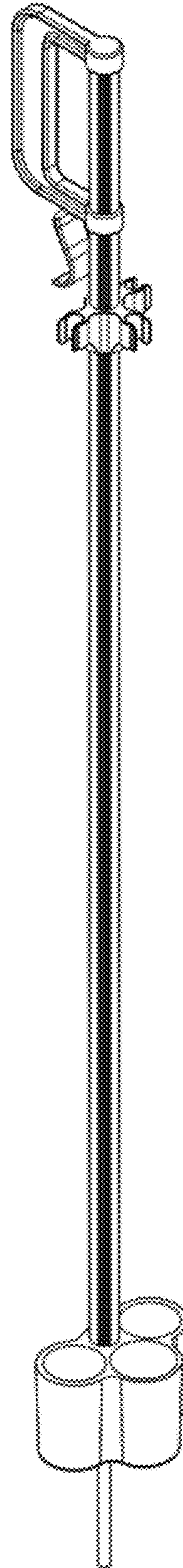


FIG. 2

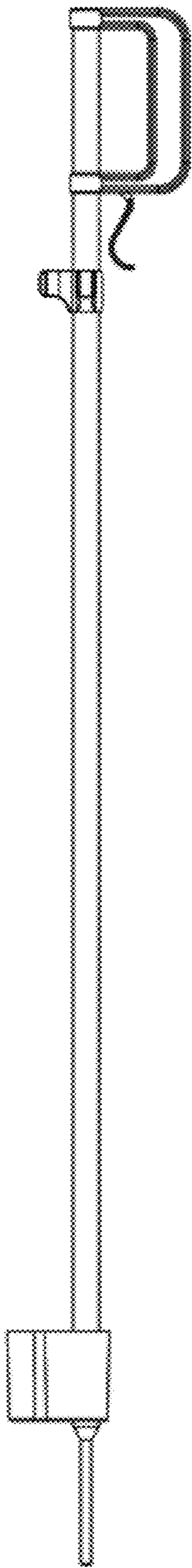


FIG. 3

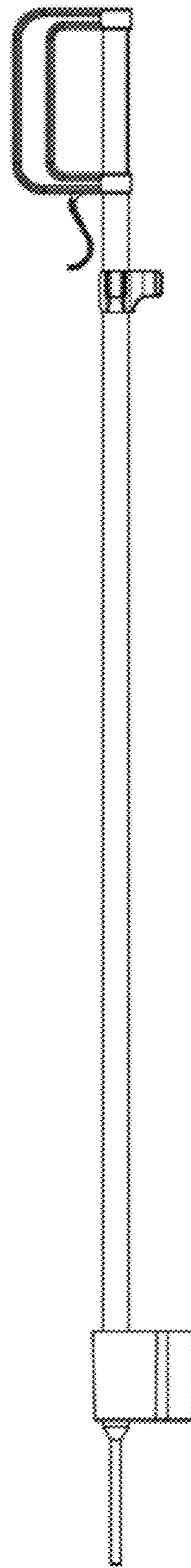


FIG. 4

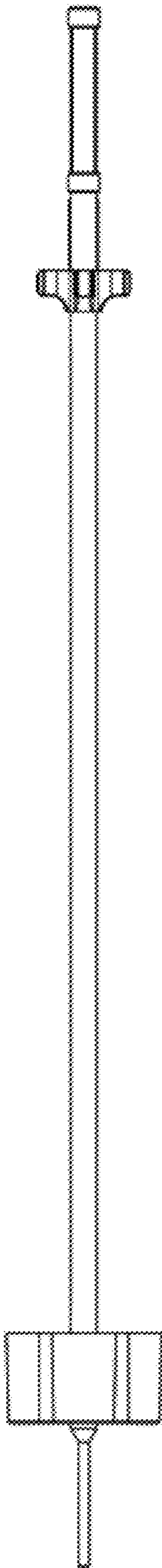


FIG. 5

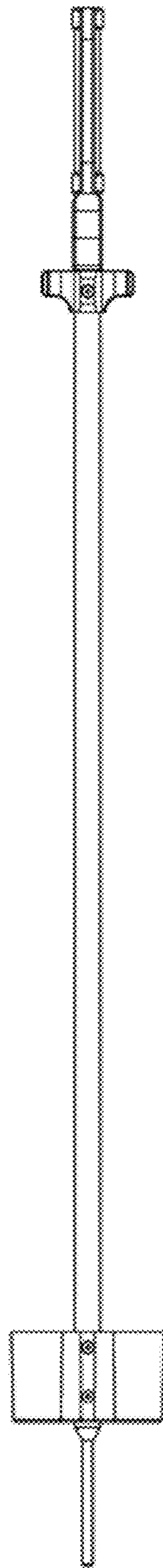


FIG. 6

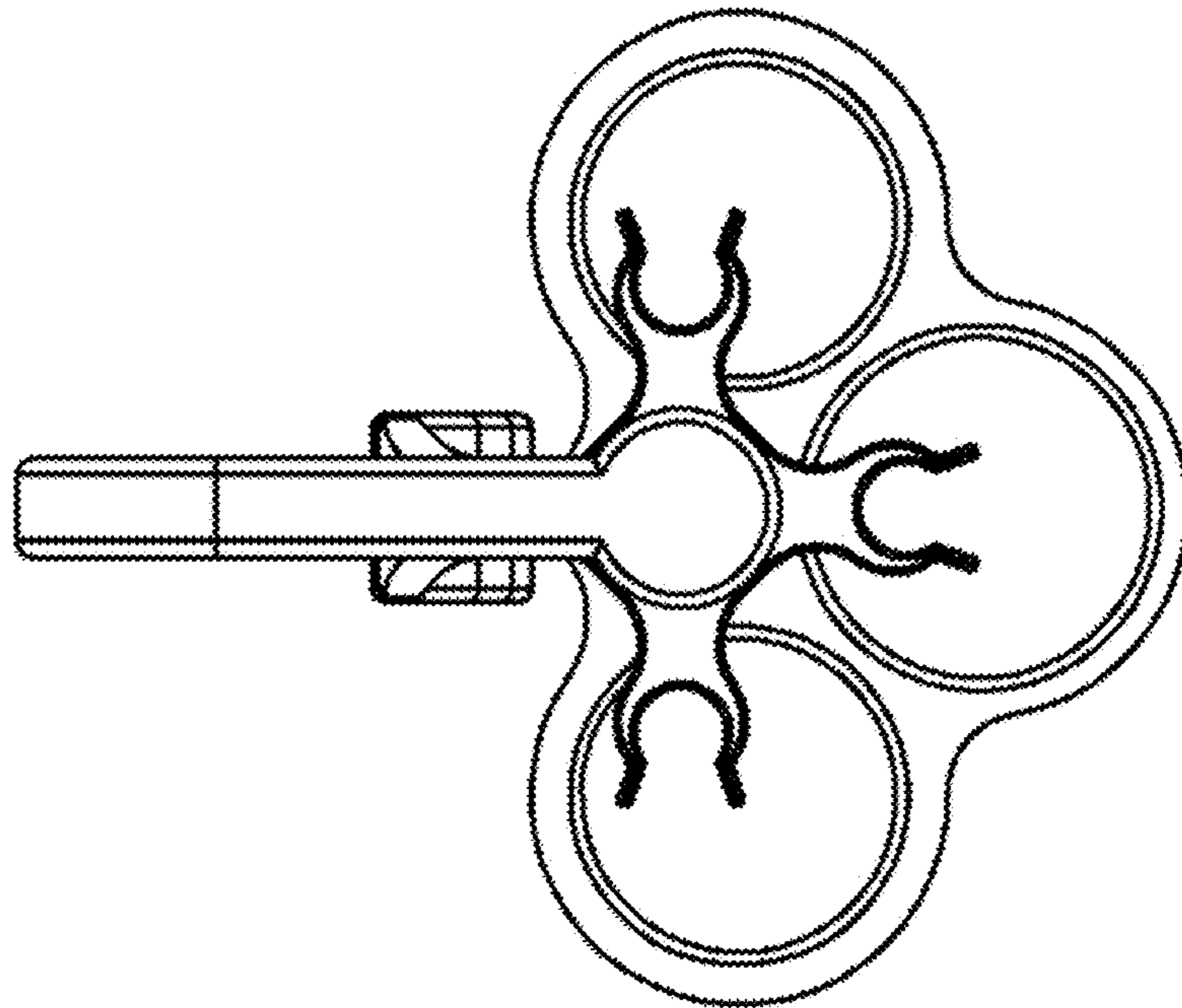


FIG. 7

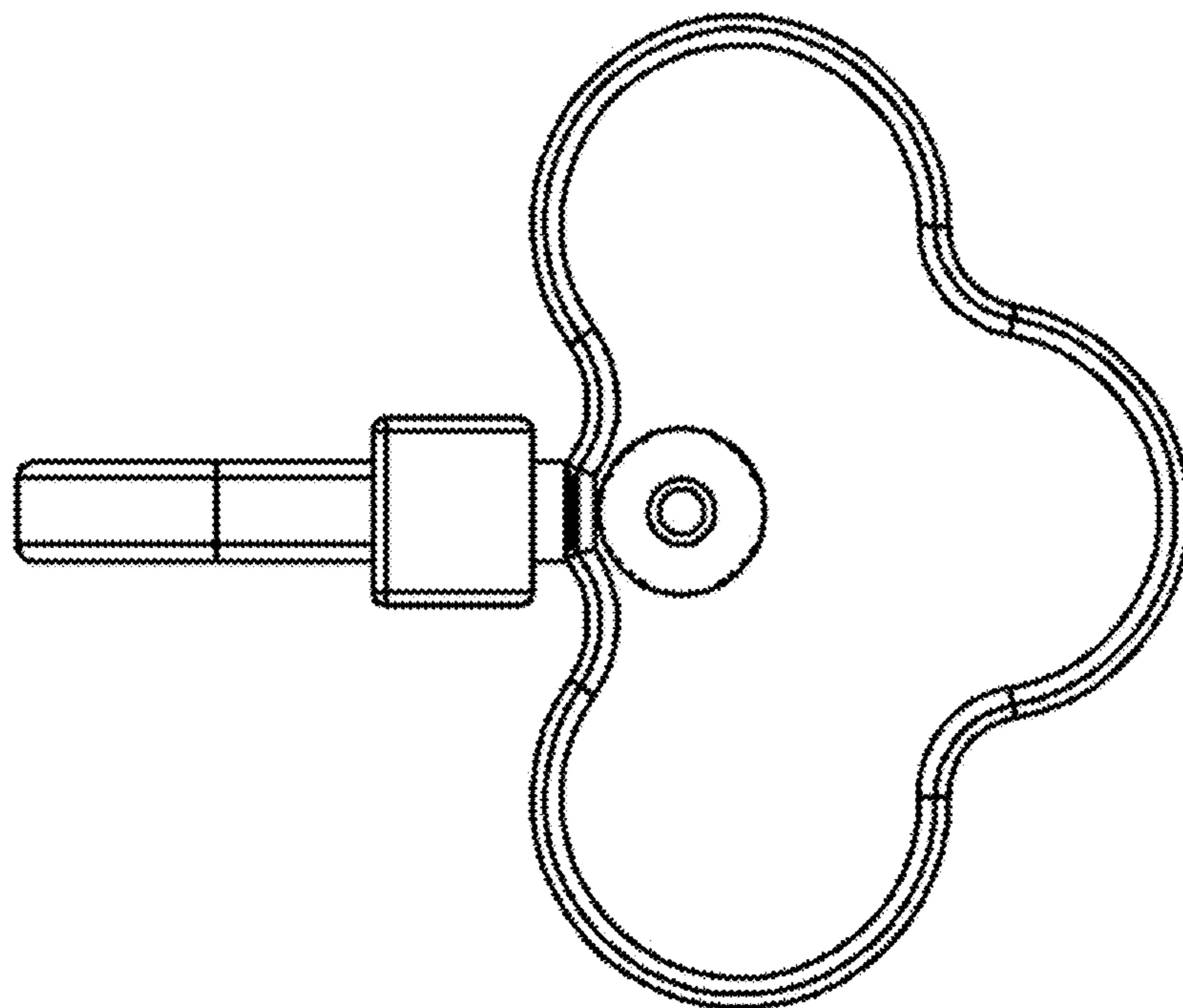


FIG. 8