



US00D946100S

(12) **United States Design Patent**
Cavill et al.

(10) **Patent No.:** **US D946,100 S**
(45) **Date of Patent:** **** Mar. 15, 2022**

(54) **END CAP FOR GOLF CLUB GRIP**

(71) Applicant: **Eaton Intelligent Power Limited,**
Dublin (IE)

(72) Inventors: **Gregory William Cavill,** Pinehurst, NC
(US); **Bruce A. Miller,** Pinehurst, NC
(US); **Craig R. Balnis,** Aberdeen, NC
(US); **James Ledford,** Pinehurst, NC
(US); **Jonathan C. Neal,** Davidson, NC
(US); **Aaron J. Michaud,**
Fuquay-Varina, NC (US); **Alex Lee**
Walls, Laurinburg, NC (US)

(73) Assignee: **Eaton Intelligent Power Limited,**
Dublin (IE)

(**) Term: **15 Years**

(21) Appl. No.: **29/745,958**

(22) Filed: **Aug. 11, 2020**

(51) **LOC (13) Cl.** **21-02**

(52) **U.S. Cl.**
USPC **D21/759**

(58) **Field of Classification Search**
USPC D21/756-759, 789
CPC ... A63B 60/00; A63B 60/46; A63B 60/06-14;
A63B 59/60-80; A63B 49/00-14; A63B
53/14

See application file for complete search history.

(56) **References Cited**

U.S. PATENT DOCUMENTS

D319,278 S * 8/1991 Tosti D21/756
7,399,235 B2 * 7/2008 Gill B62K 21/26
473/297
D633,966 S * 3/2011 Savarese D21/756
D649,609 S * 11/2011 Savarese D21/756
D659,787 S * 5/2012 Balareta D21/789

D668,728 S * 10/2012 Savarese D21/759
D670,778 S * 11/2012 Savarese D21/759
D685,870 S * 7/2013 Ho D21/759
9,028,337 B2 * 5/2015 Bentley A63C 5/06
473/223
9,579,541 B2 * 2/2017 Zhao A63B 24/0021
D832,382 S * 10/2018 Van Nguyen D21/753
D854,640 S * 7/2019 Rogacki D21/756
10,610,753 B1 * 4/2020 Davis B29C 43/18
D921,788 S * 6/2021 Rogacki D21/753
2011/0143853 A1 * 6/2011 Walls A63B 53/14
473/300
2012/0052973 A1 * 3/2012 Bentley A63B 53/14
473/223
2013/0095941 A1 * 4/2013 Bentley H01Q 1/526
473/223
2013/0144411 A1 * 6/2013 Savarese A63B 53/00
700/91
2016/0146643 A1 * 5/2016 Martin G01C 19/00
473/223

(Continued)

Primary Examiner — Mitchell I. Siegel

(74) *Attorney, Agent, or Firm* — Fay Sharpe LLP

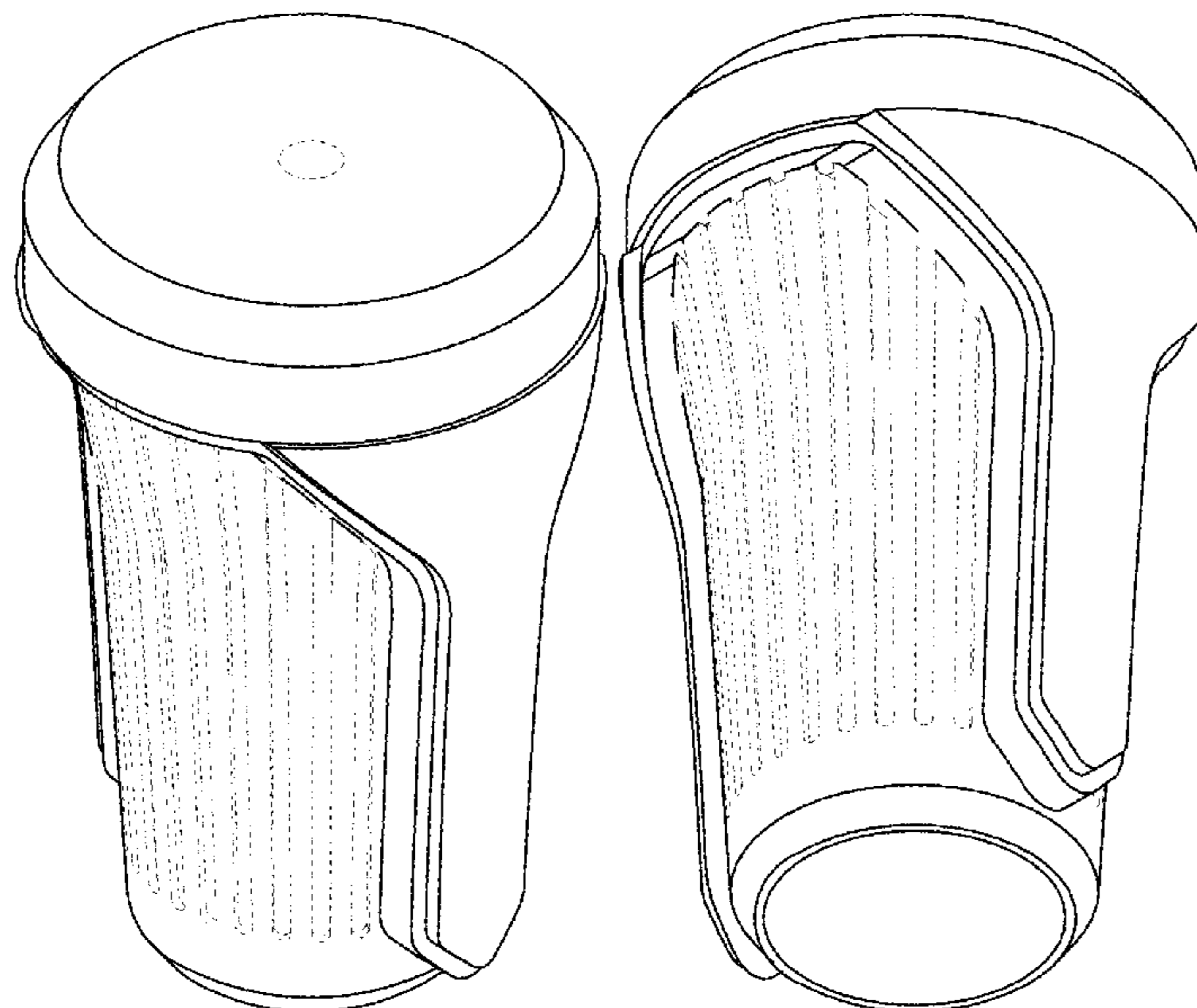
(57) **CLAIM**

The ornamental design for an end cap for golf club grip, as shown and described.

DESCRIPTION

FIG. 1 is a perspective view of the end cap from the end attached to the grip;
FIG. 2 is a perspective view thereof from the outer end;
FIG. 3 is a top view thereof;
FIG. 4 is a right side view thereof;
FIG. 5 is a bottom view thereof;
FIG. 6 is a left side view thereof;
FIG. 7 is an outer end view thereof; and,
FIG. 8 is a view from the end opposite FIG. 7.
The broken lines shown on the drawing figures forms no part of the claimed design.

1 Claim, 3 Drawing Sheets



(56)

References Cited

U.S. PATENT DOCUMENTS

2017/0234706 A1* 8/2017 Martin G01D 11/245
29/407.05

* cited by examiner

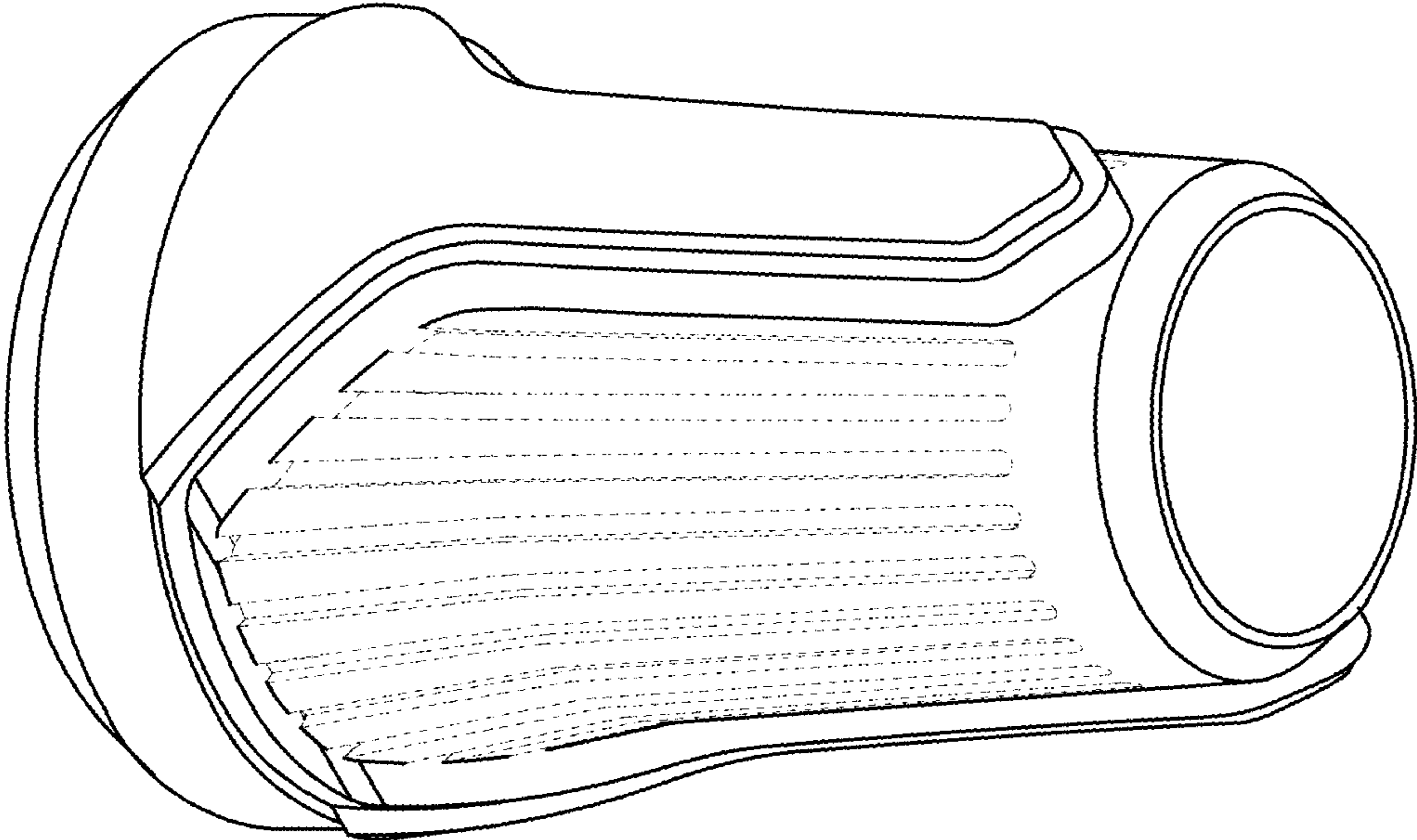


Fig.2

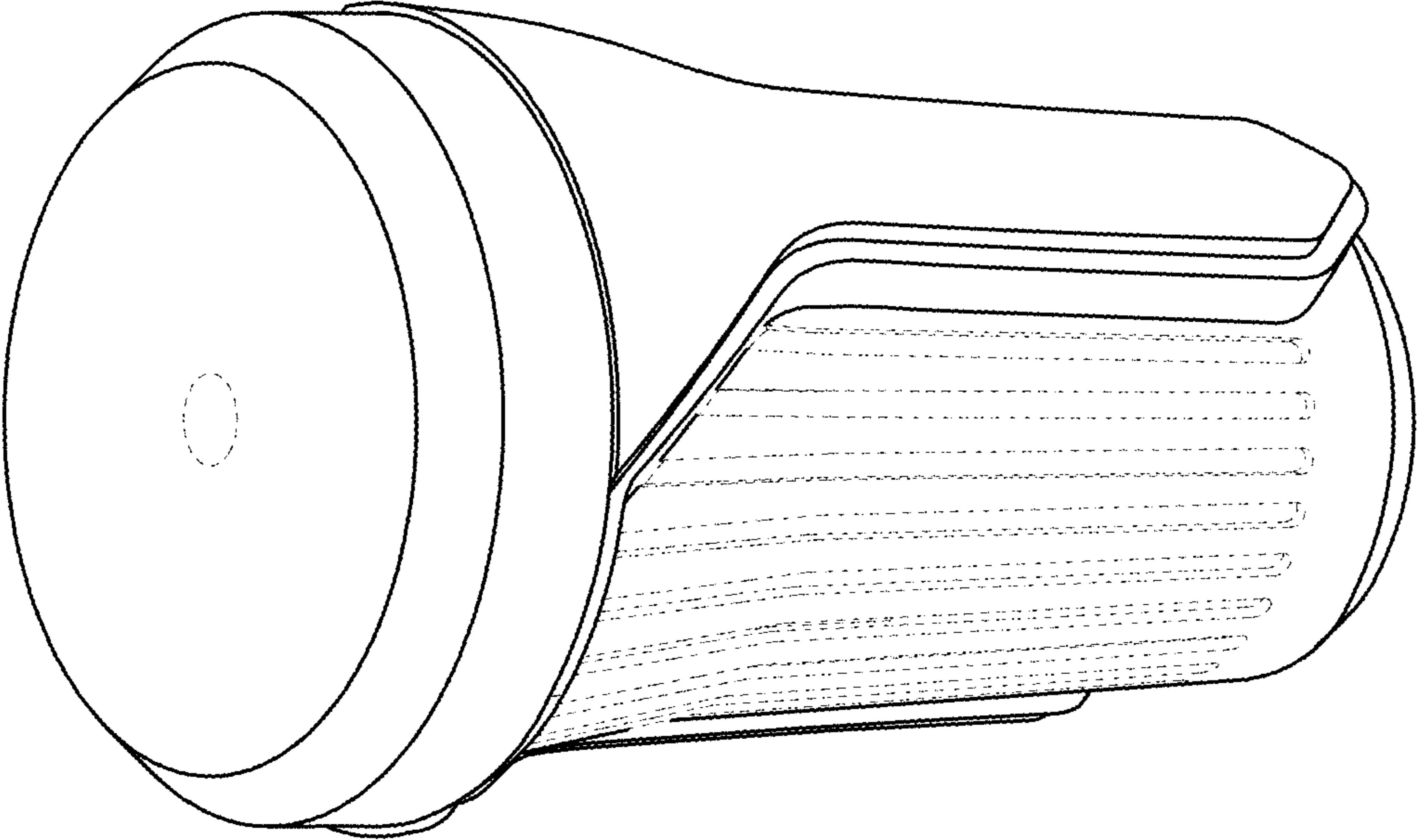


Fig.1

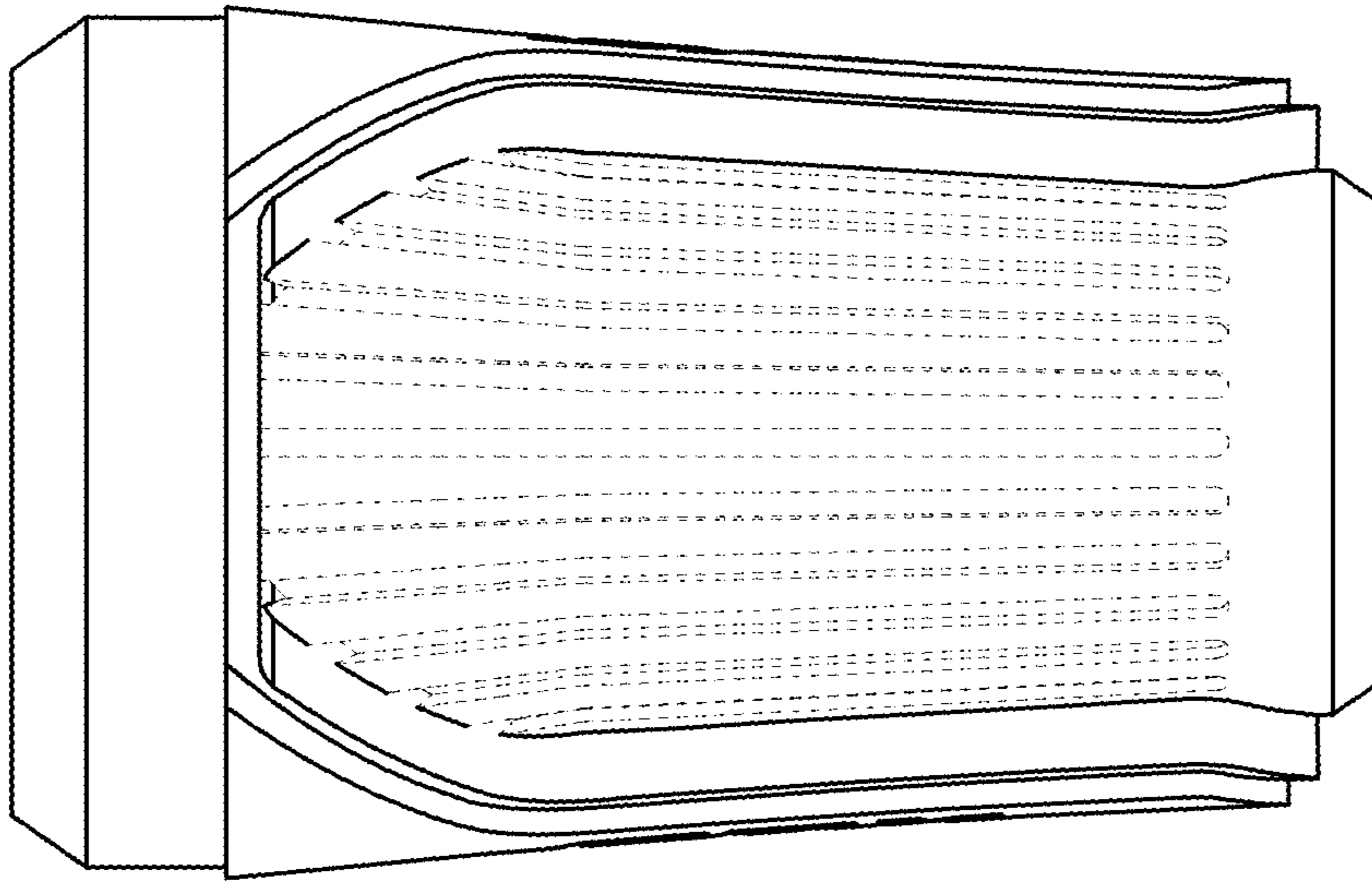


Fig.4

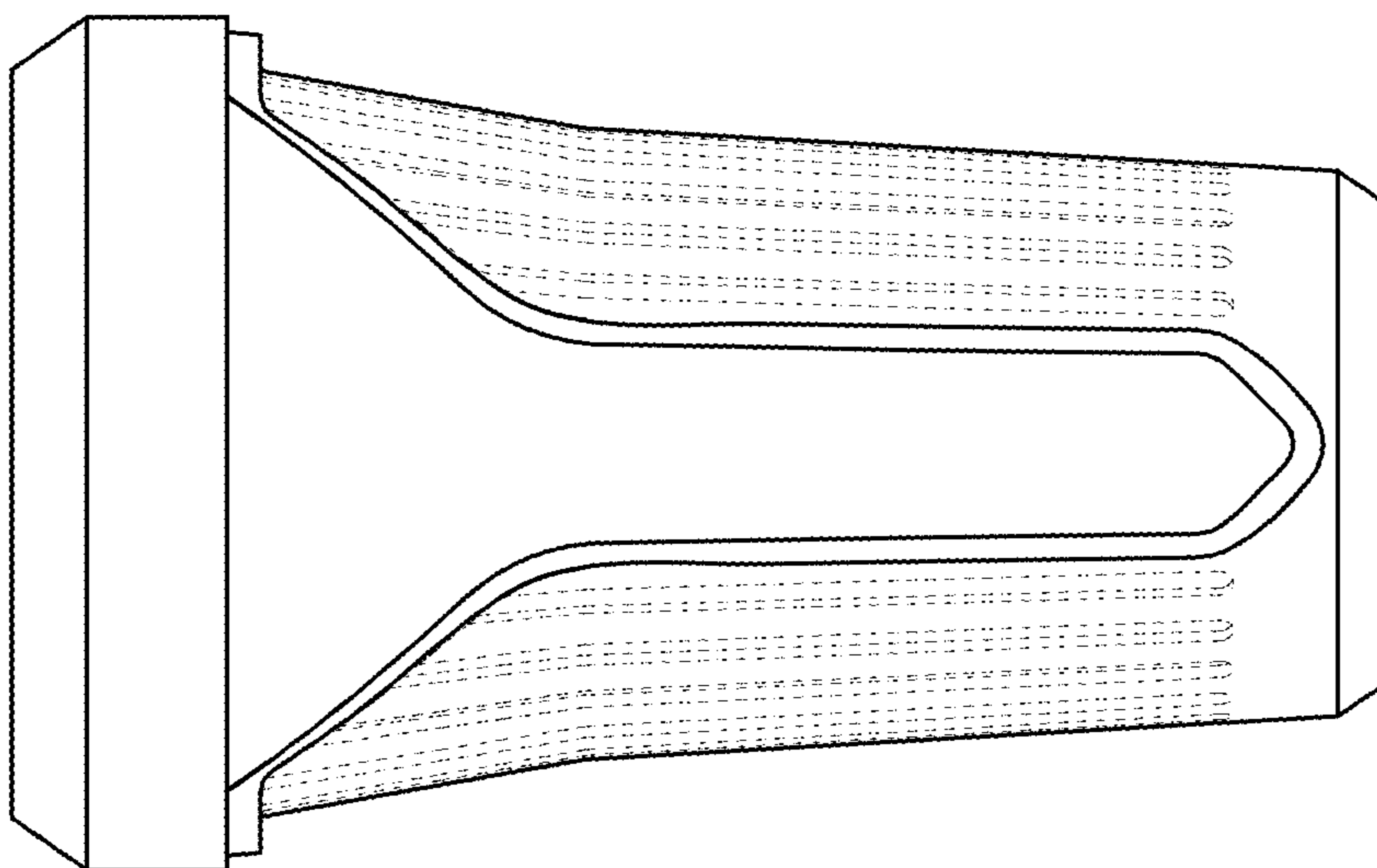


Fig.3

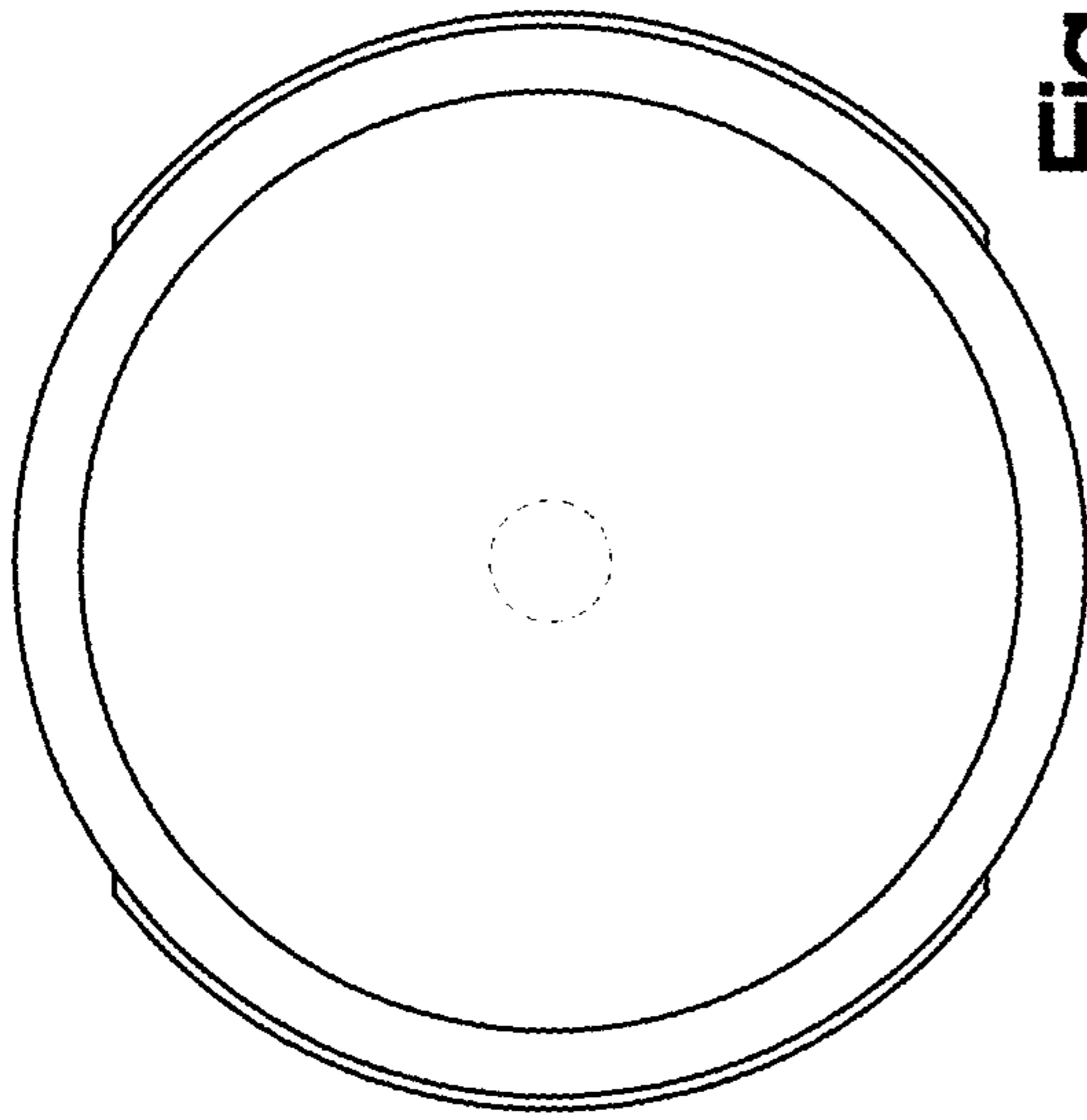


Fig.7

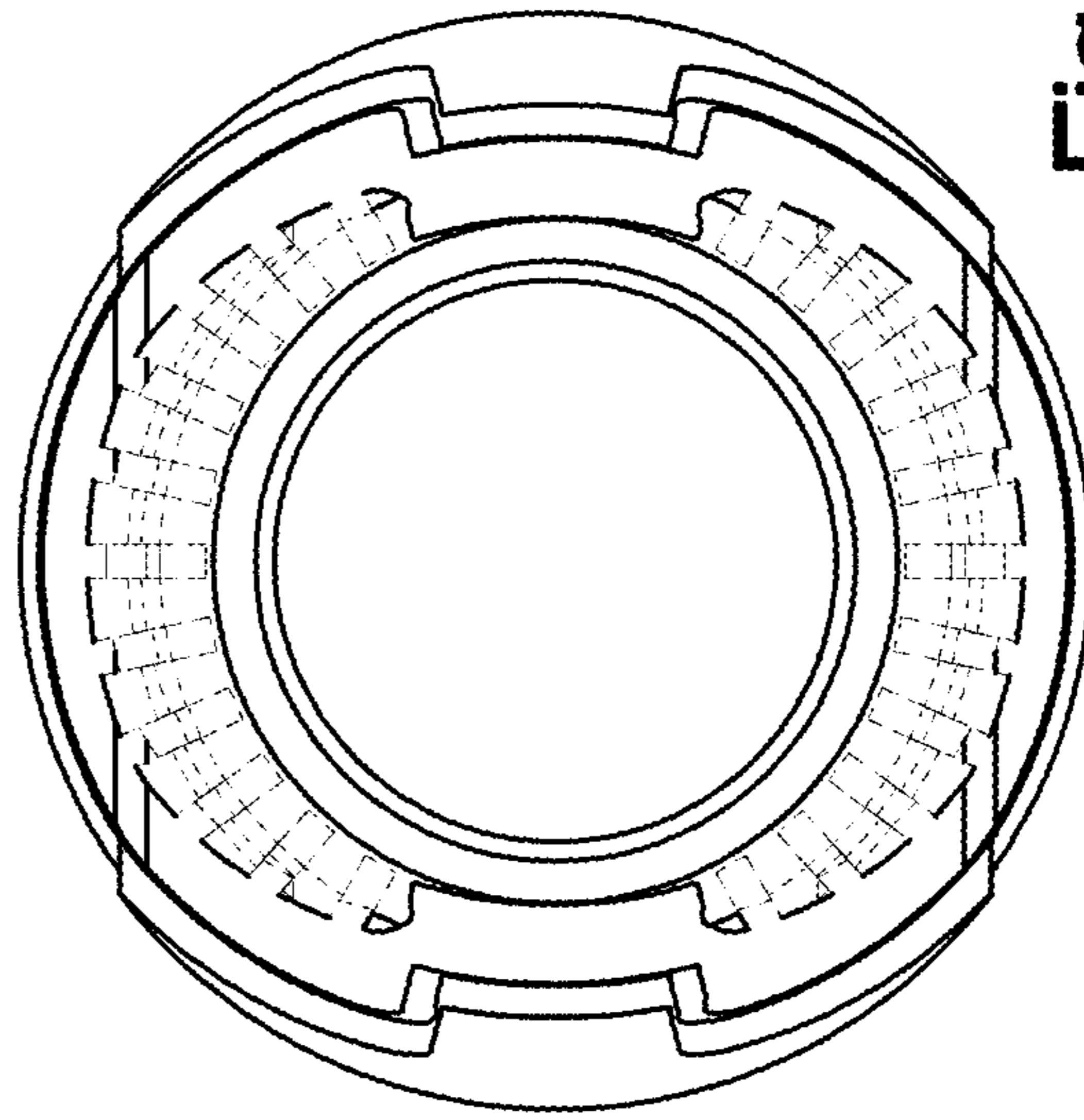


Fig.8

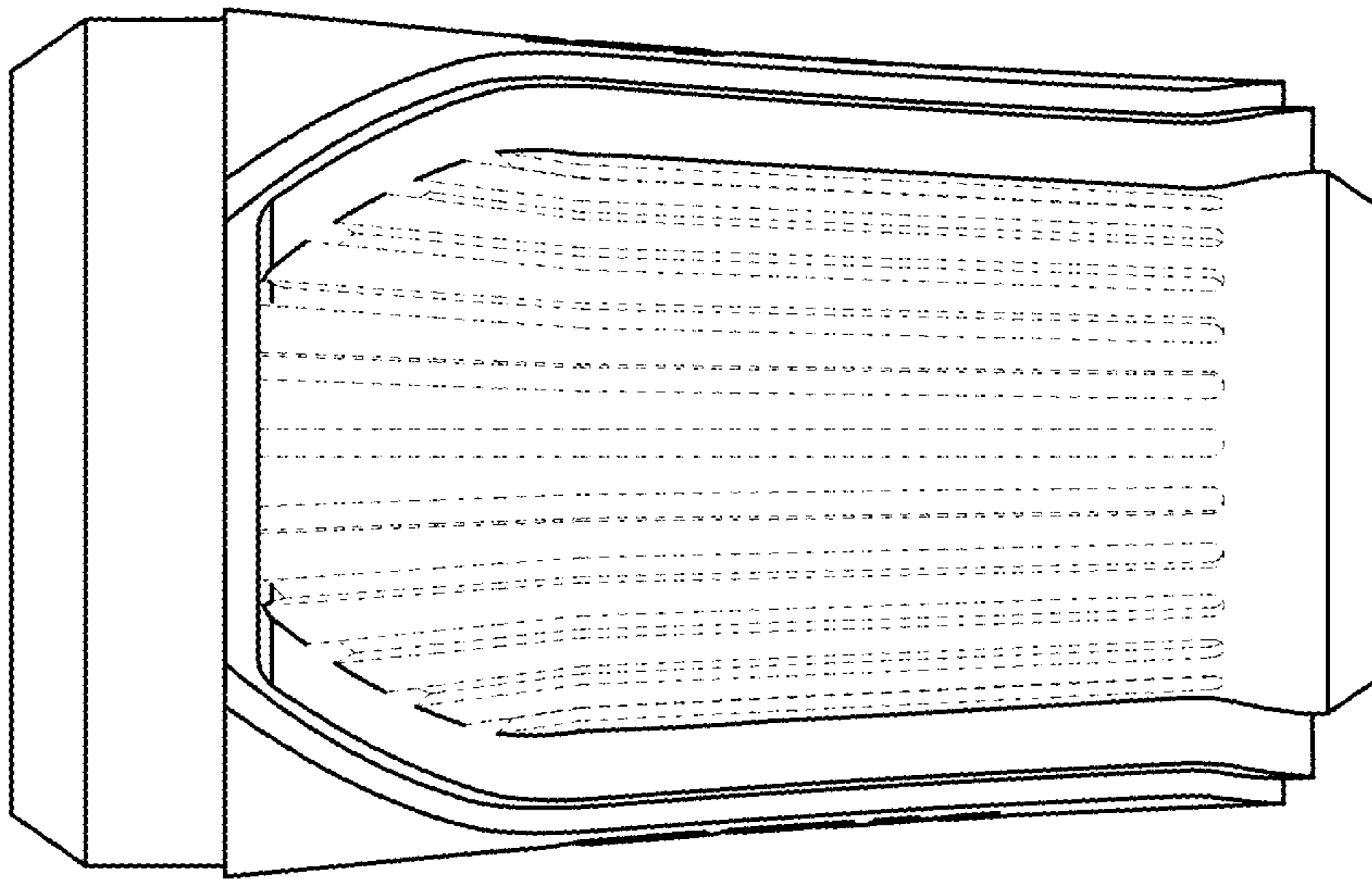


Fig.6

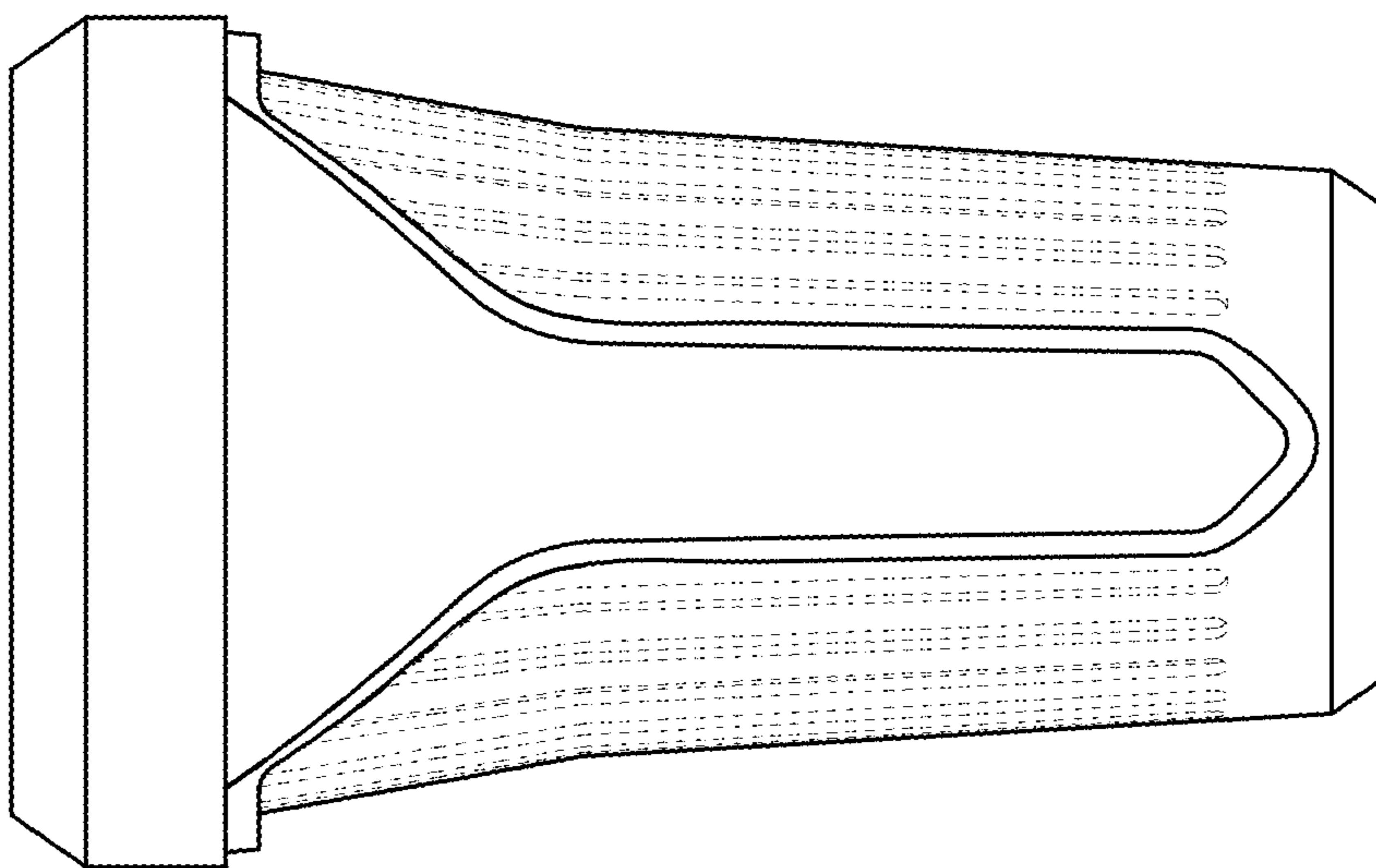


Fig.5