



US00D946097S

(12) **United States Design Patent** (10) **Patent No.:** **US D946,097 S**
Kruse et al. (45) **Date of Patent:** **** Mar. 15, 2022**

(54) **SET OF CONTROL KNOBS**

FOREIGN PATENT DOCUMENTS

(71) Applicant: **Peloton Interactive, Inc.**, New York, NY (US)

WO WO2010107632 A1 9/2010
WO WO2010107840 A1 9/2010
WO WO2014160057 A2 10/2014

(72) Inventors: **Mark Kruse**, Brooklyn, NY (US);
Jason Poure, Hastings on Hudson, NY (US); **Nigel John Alcorn**, Brooklyn, NY (US); **Lee Hendrickson**, Brooklyn, NY (US)

Primary Examiner — Ryan Harvey

(74) *Attorney, Agent, or Firm* — Haynes and Boone, LLP

(73) Assignee: **Peloton Interactive, Inc.**, New York, NY (US)

(57) **CLAIM**

The ornamental design for a set of control knobs, as shown and described.

(**) Term: **15 Years**

DESCRIPTION

(21) Appl. No.: **29/758,470**

(22) Filed: **Nov. 16, 2020**

Related U.S. Application Data

(62) Division of application No. 29/724,262, filed on Feb. 13, 2020, now Pat. No. Des. 902,332, which is a (Continued)

(51) **LOC (13) Cl.** **21-02**

(52) **U.S. Cl.**
USPC **D21/694**; D21/669

(58) **Field of Classification Search**
USPC 482/54, 2, 51, 8, 70, 146; D21/668, 669, D21/662, 694; 601/35, 23, 5, 34; 198/439, 456; D30/160
(Continued)

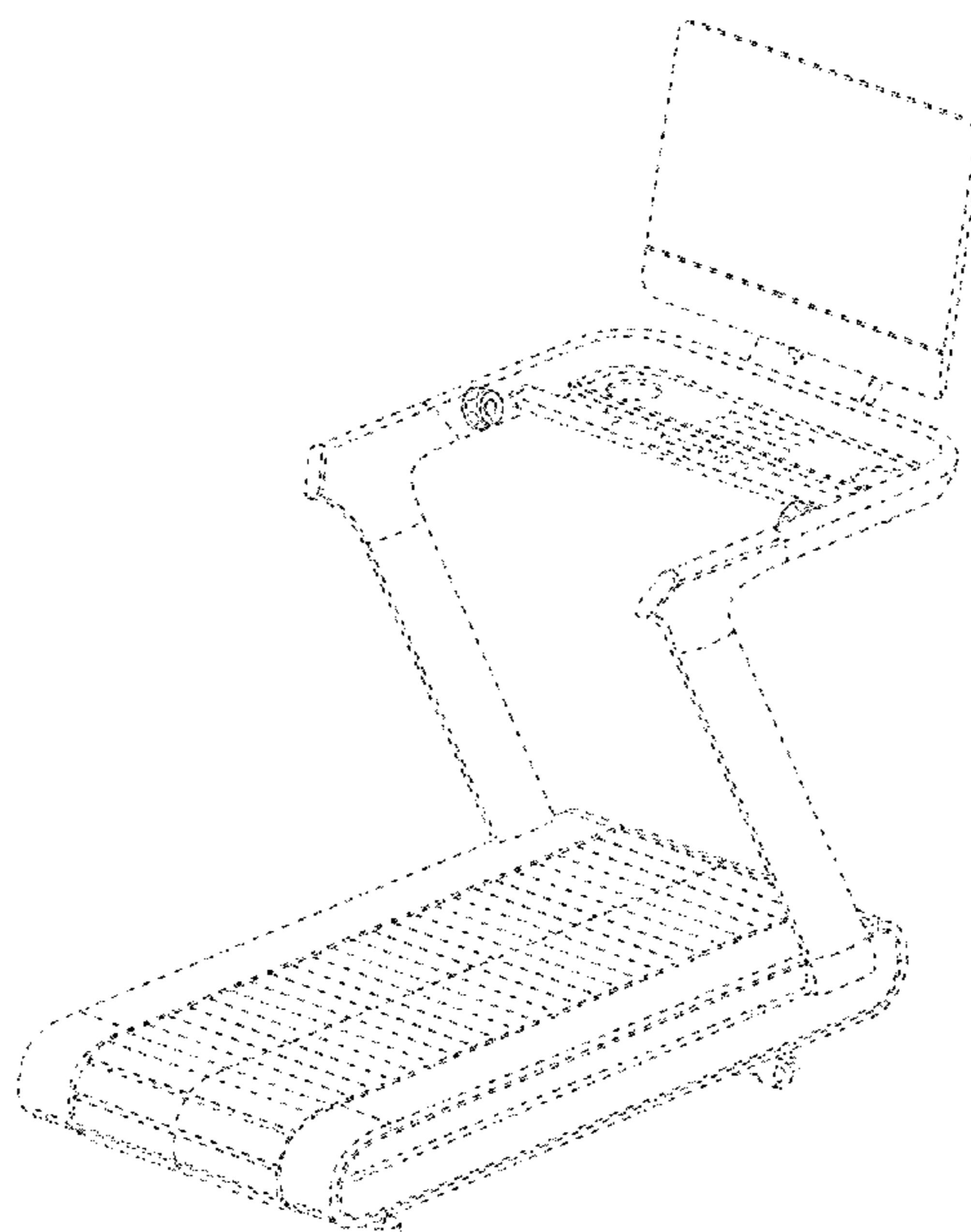
(56) **References Cited**

U.S. PATENT DOCUMENTS

3,642,279 A 2/1972 Cutter
5,018,722 A 5/1991 Whitmore
(Continued)

FIG. 1 is a front perspective view of a set of control knobs in which environment comprising a treadmill is disclaimed; FIG. 2 is a back perspective view thereof; FIG. 3 is a front view thereof; FIG. 4 is a back view thereof; FIG. 5 is a left-side view thereof; FIG. 6 is a right-side view thereof; FIG. 7 is a top view thereof; FIG. 8 is a bottom view thereof; FIG. 9 is an enlarged front perspective view of one of the control knobs with the disclaimed environment removed for clarity of disclosure. The claimed design includes the mirror image of the control knob depicted that is not shown; FIG. 10 is an enlarged back perspective view thereof; FIG. 11 is an enlarged top view thereof; FIG. 12 is an enlarged bottom view thereof; FIG. 13 is an enlarged left-side view thereof. The expanded right-side view is identical to the expanded left-side view; and, FIG. 14 is an enlarged front view thereof. The broken lines depict portions of the treadmill or portions thereof and/or environment of the treadmill or portions thereof which form no part of the claimed design.

1 Claim, 14 Drawing Sheets



Related U.S. Application Data

division of application No. 29/692,629, filed on May 28, 2019, now Pat. No. Des. 875,856, which is a division of application No. 29/632,278, filed on Jan. 5, 2018, now Pat. No. Des. 854,101.

(58) **Field of Classification Search**

CPC . A63B 22/02; A63B 22/0023; A63B 22/0235; A63B 2210/50; A63B 22/0285; A63B 22/0242; A63B 2022/025; A63B 2225/30; A63B 2022/0214; A63B 2220/13; A63B 2022/0228; A63B 2210/56; A63B 2024/0093; A63B 2022/0207; A63B 22/0012; A63B 22/0257; A61H 3/008; A61H 1/0262; A61H 2201/164; A01K 15/027

See application file for complete search history.

(56) **References Cited**

U.S. PATENT DOCUMENTS

D333,887	S	3/1993	Dowler	
5,411,279	A	5/1995	Magid	
5,470,293	A	11/1995	Schonenberger	
5,527,241	A	6/1996	Peng	
5,538,489	A	7/1996	Magid	
D374,260	S	10/1996	Snyderman et al.	
5,577,598	A	11/1996	Schoenenberger	
5,709,632	A	1/1998	Socwell	
5,897,461	A	4/1999	Socwell	
D416,060	S *	11/1999	Angeles	D21/694
6,042,514	A	3/2000	Abelbeck	
6,053,848	A	4/2000	Eschenbach	
6,095,952	A	8/2000	Ali et al.	
6,123,647	A	9/2000	Mitchell	
6,146,315	A	11/2000	Schonenberger	
6,180,210	B1	1/2001	Debus	
D445,152	S	7/2001	Wang et al.	
6,348,025	B1	2/2002	Schonenberger	
D461,876	S *	8/2002	Green	D23/250
D472,947	S *	4/2003	Wu	D21/694
D484,554	S	12/2003	Hellman, Jr. et al.	
D492,559	S *	7/2004	Itano	D8/51
6,918,859	B1	7/2005	Yeh	
D579,992	S	11/2008	Cesaroni	
D590,232	S *	4/2009	Demers	D8/107
D600,094	S *	9/2009	Hwang	D8/312
7,976,437	B1	7/2011	von Detten	
8,308,619	B1	11/2012	Astilean	
D673,020	S *	12/2012	Brummitt	D8/14.1
8,343,016	B1	1/2013	Astilean	
D676,551	S *	2/2013	Desai	D24/129
D707,763	S	6/2014	Cutler	
D709,147	S	7/2014	Oransky	
8,920,347	B2	12/2014	Bayerlein et al.	
9,039,579	B1	5/2015	Osime	
9,044,637	B2	6/2015	Karl	
D751,156	S	3/2016	Tasca et al.	
D755,029	S *	5/2016	Myers	D8/44
D763,976	S	8/2016	Vezeau et al.	
9,694,234	B2	7/2017	Dalebout et al.	

10,010,748	B1	7/2018	Weinstein et al.	
D827,058	S	8/2018	Lisi et al.	
D827,733	S	9/2018	Hochstrasser	
10,265,566	B2	4/2019	Bayerlein et al.	
D849,501	S *	5/2019	Wilson, II	D8/302
10,299,988	B2	5/2019	Shin	
D854,101	S	7/2019	Kruse et al.	
D859,543	S	9/2019	Lisi et al.	
D873,934	S	1/2020	Mino	
D875,856	S	2/2020	Kruse et al.	
10,556,168	B2	2/2020	Fima	
10,625,137	B2	4/2020	Dalebout et al.	
10,632,339	B2	4/2020	Chen	
D888,715	S *	6/2020	Hendrickson	D14/432
10,668,321	B2	6/2020	Yoo	
10,695,613	B2 *	6/2020	Chang	A63B 21/0051
D890,594	S *	7/2020	Gao	D8/312
D902,332	S *	11/2020	Kruse	D21/694
D934,352	S *	10/2021	Li	D21/669
2005/0170935	A1	8/2005	Manser	
2005/0255970	A1 *	11/2005	Wu	A63B 22/0257 482/54
2006/0160665	A1	7/2006	Tai	
2007/0072743	A1	3/2007	Severino et al.	
2007/0298937	A1	12/2007	Shah et al.	
2008/0176719	A1	7/2008	To	
2009/0215589	A1	8/2009	Schoenenberger	
2010/0285929	A1	11/2010	Bayerlein et al.	
2011/0152038	A1	6/2011	Freitag	
2011/0266091	A1	11/2011	Taylor	
2012/0157267	A1	6/2012	Lo	
2012/0231934	A1	9/2012	Lo	
2012/0270705	A1	10/2012	Lo	
2014/0011642	A1	1/2014	Astilean	
2014/0336010	A1	11/2014	Burger	
2016/0023039	A1	1/2016	Cei	
2016/0096064	A1	4/2016	Gatti	
2016/0144225	A1	5/2016	Dalebout et al.	
2016/0166877	A1	6/2016	Cei et al.	
2016/0279465	A1	9/2016	Chang	
2016/0367851	A1	12/2016	Astilean et al.	
2017/0113093	A1	4/2017	Bellavista et al.	
2017/0312566	A1	11/2017	Chang	
2017/0312582	A1	11/2017	Root, Jr.	
2018/0001134	A1	1/2018	Bayerlein et al.	
2018/0056132	A1	3/2018	Foley et al.	
2018/0104534	A1	4/2018	Erkelenz et al.	
2018/0111018	A1	4/2018	Lee	
2018/0126249	A1	5/2018	Consiglio et al.	
2018/0140896	A1	5/2018	Chen	
2018/0140903	A1	5/2018	Poure et al.	
2018/0264315	A1	9/2018	Chen	
2019/0060705	A1	2/2019	Yoo	
2019/0118030	A1	4/2019	Yoo	
2019/0126093	A1	5/2019	Yoo	
2019/0168066	A1	6/2019	Yoo et al.	
2019/0168067	A1	6/2019	Bates et al.	
2019/0192952	A1	6/2019	Powell	
2019/0217182	A1	7/2019	Kueker et al.	
2019/0255382	A1	8/2019	Rudelstorfer	
2019/0290956	A1	9/2019	Ren	
2020/0094105	A1	3/2020	Kueker	

* cited by examiner

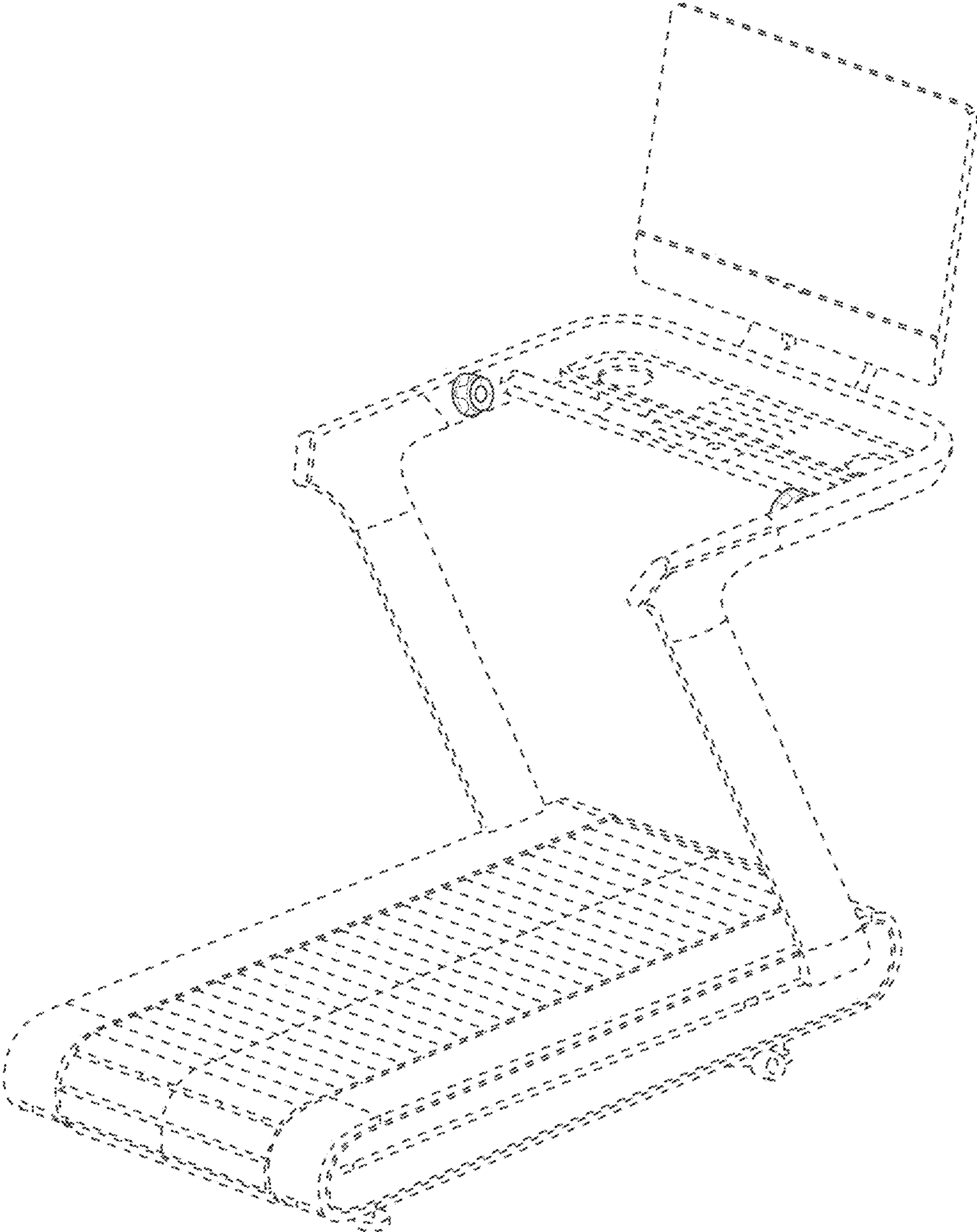


FIG. 1

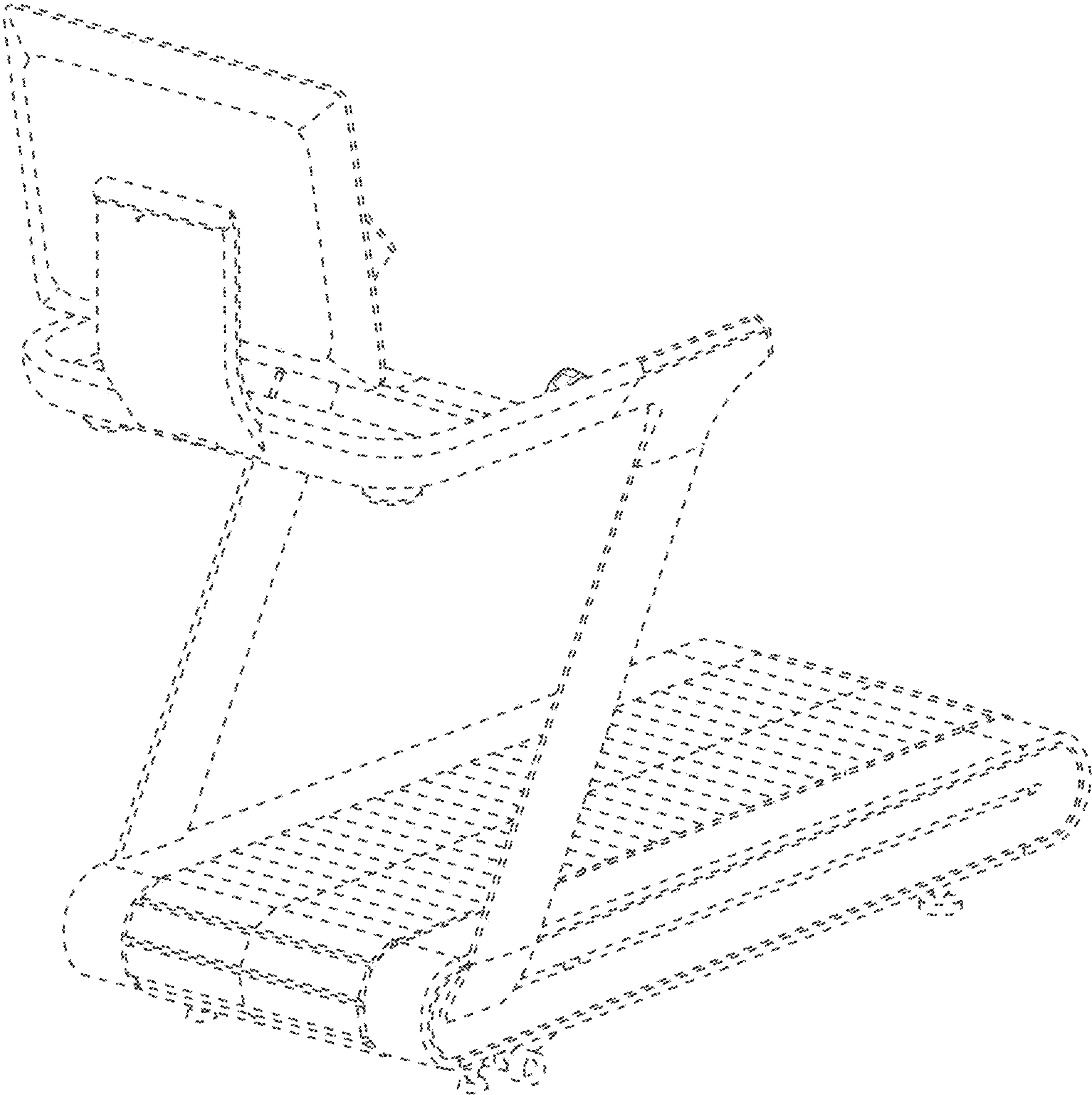


FIG. 2

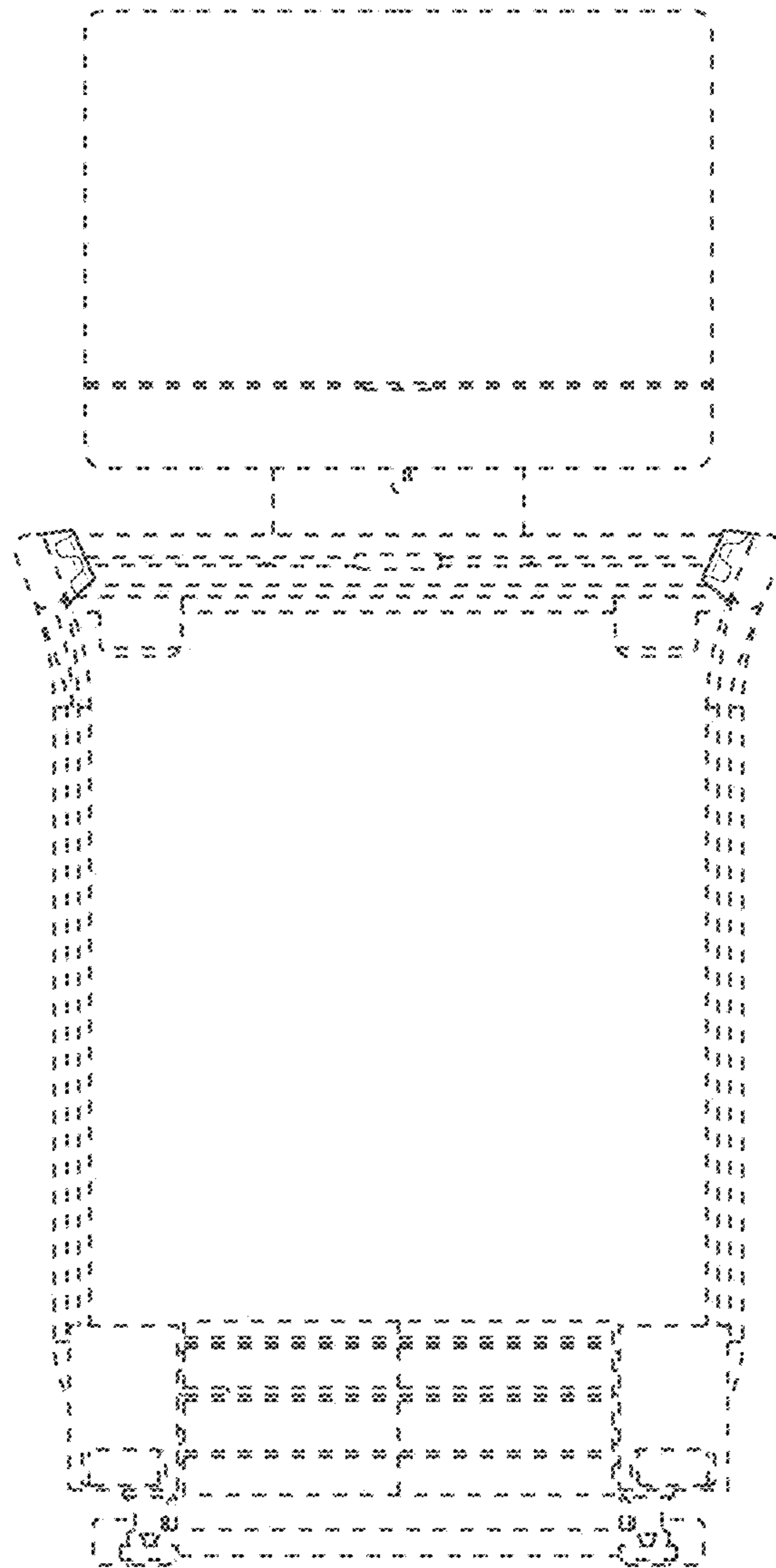


FIG. 3

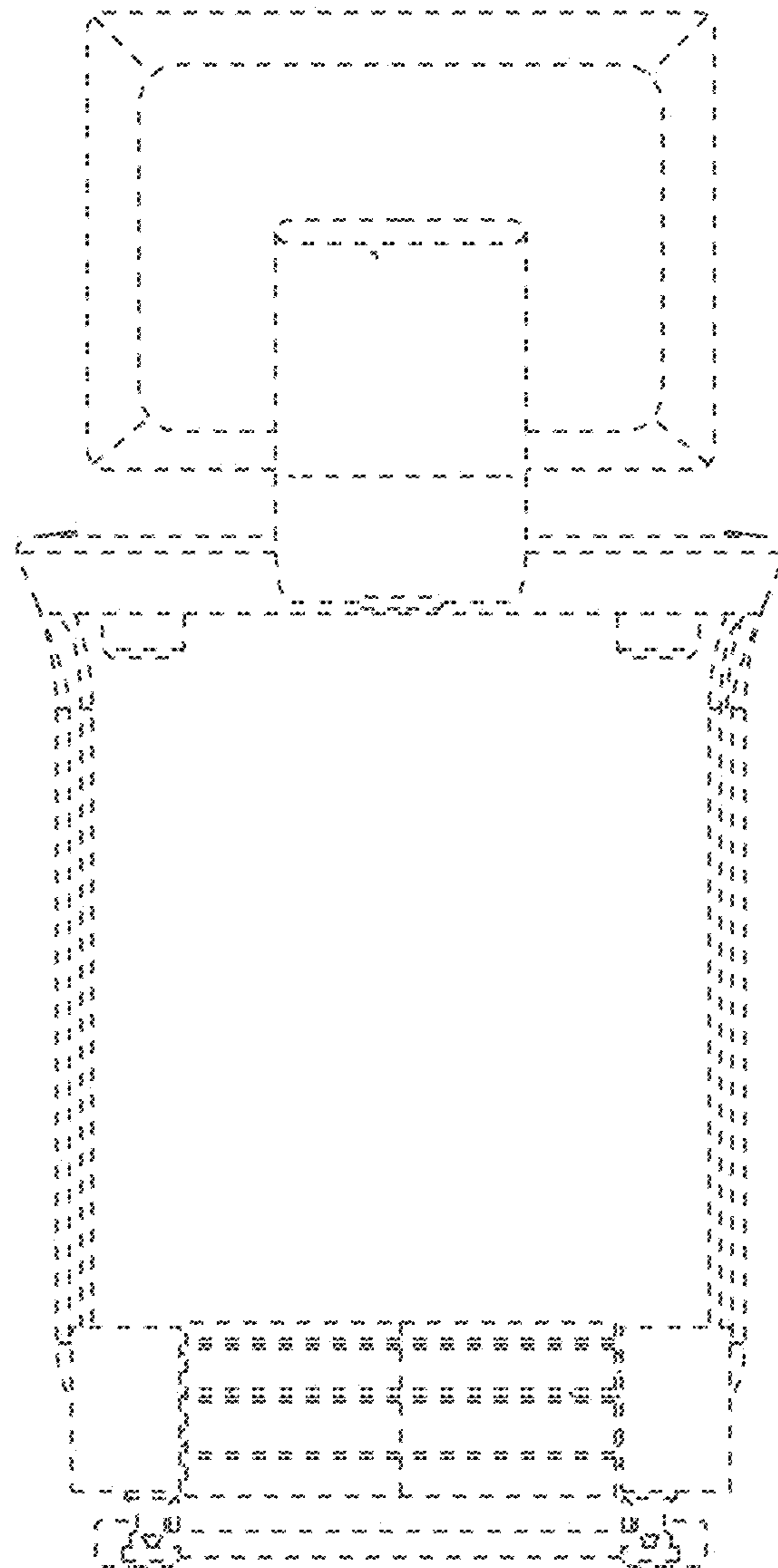


FIG. 4

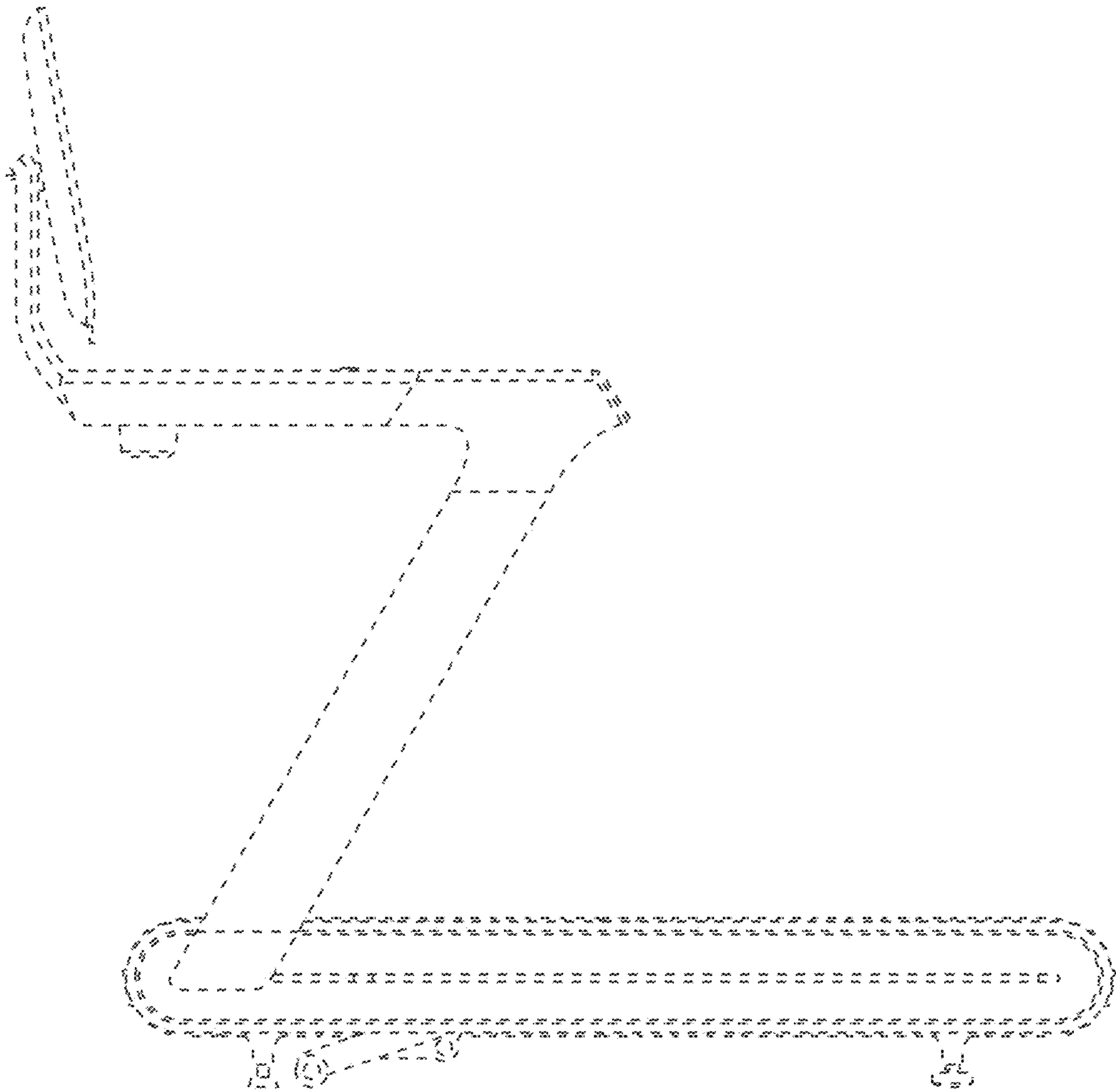


FIG. 5

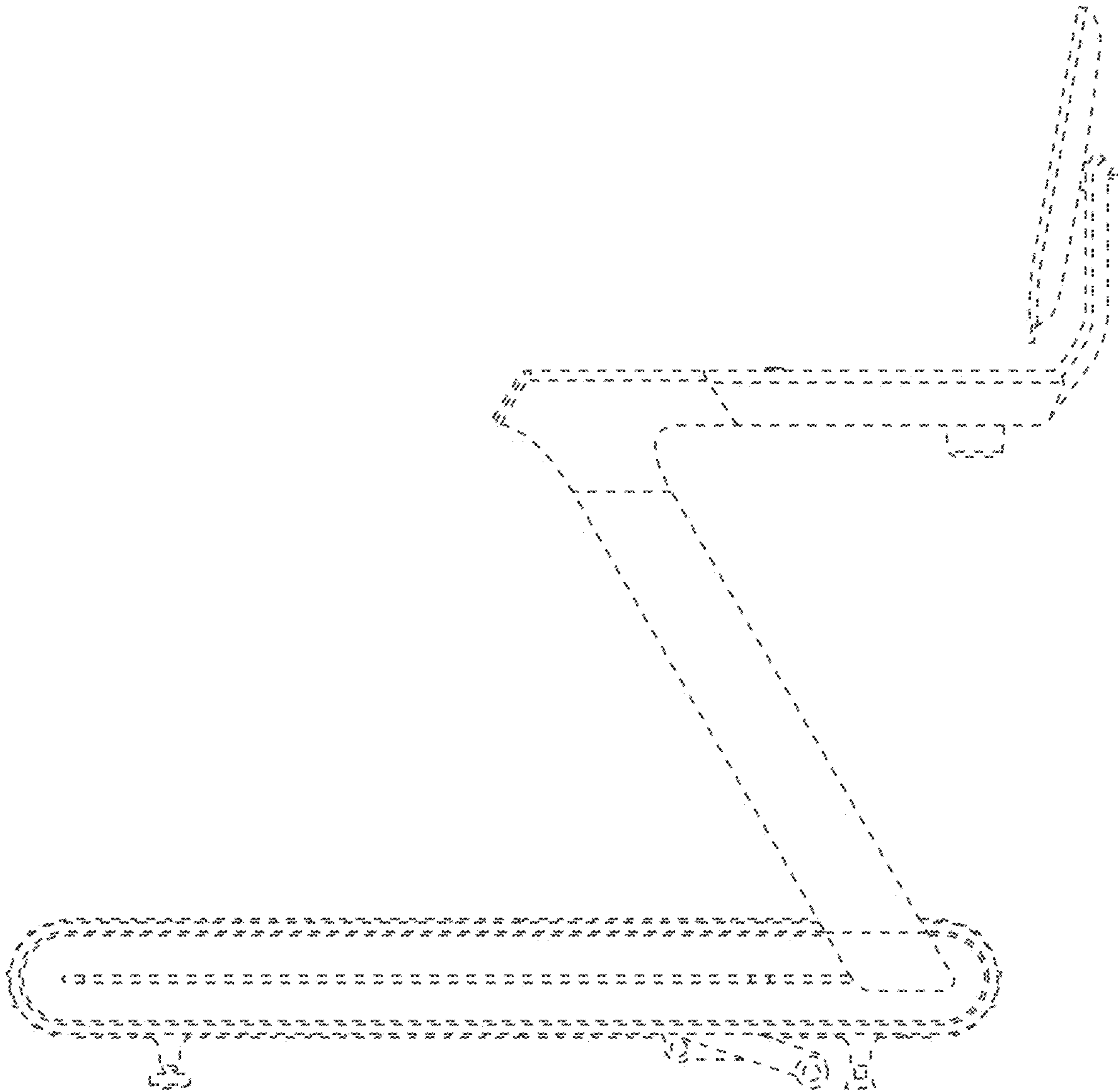


FIG. 6

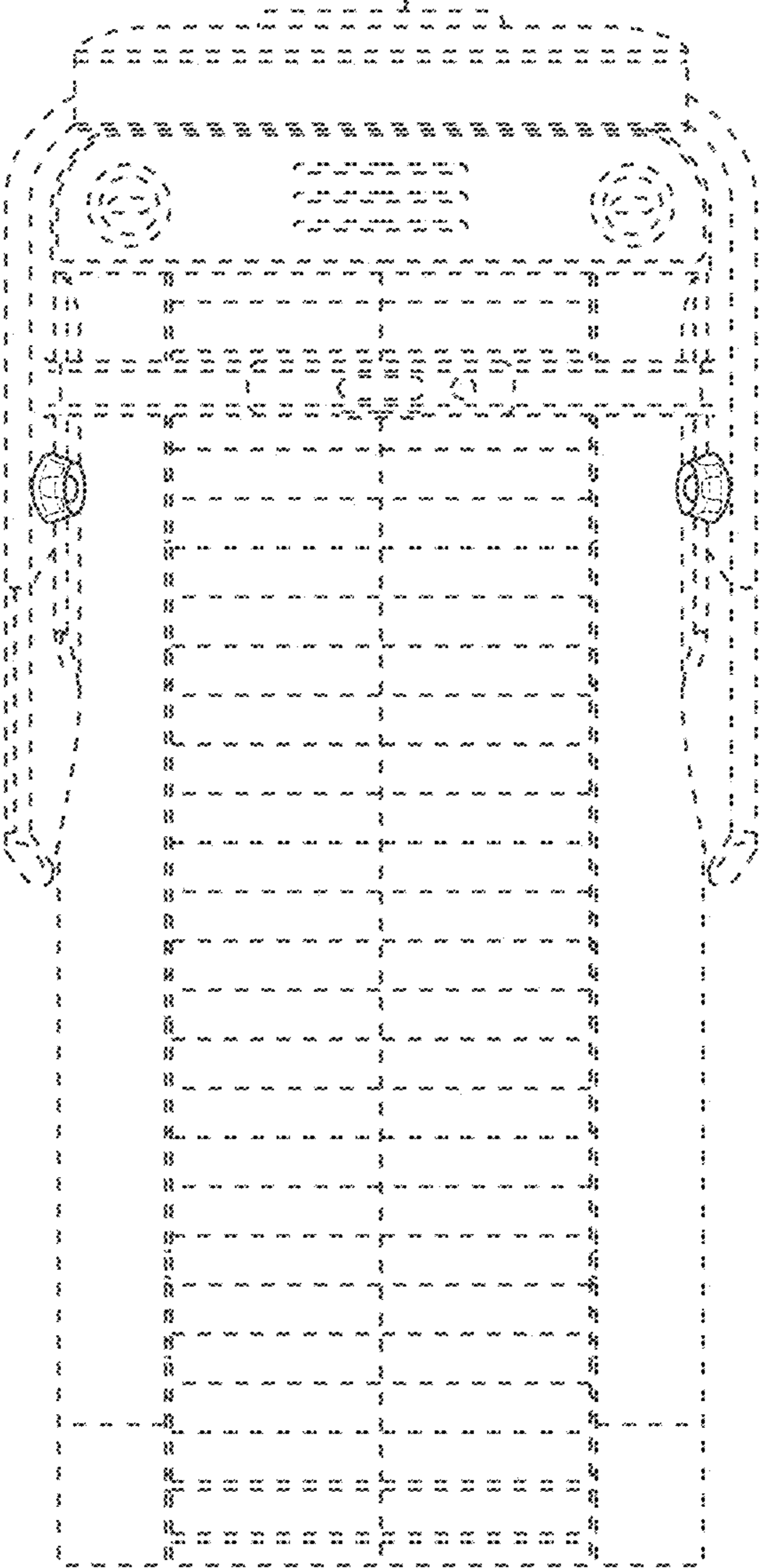


FIG. 7

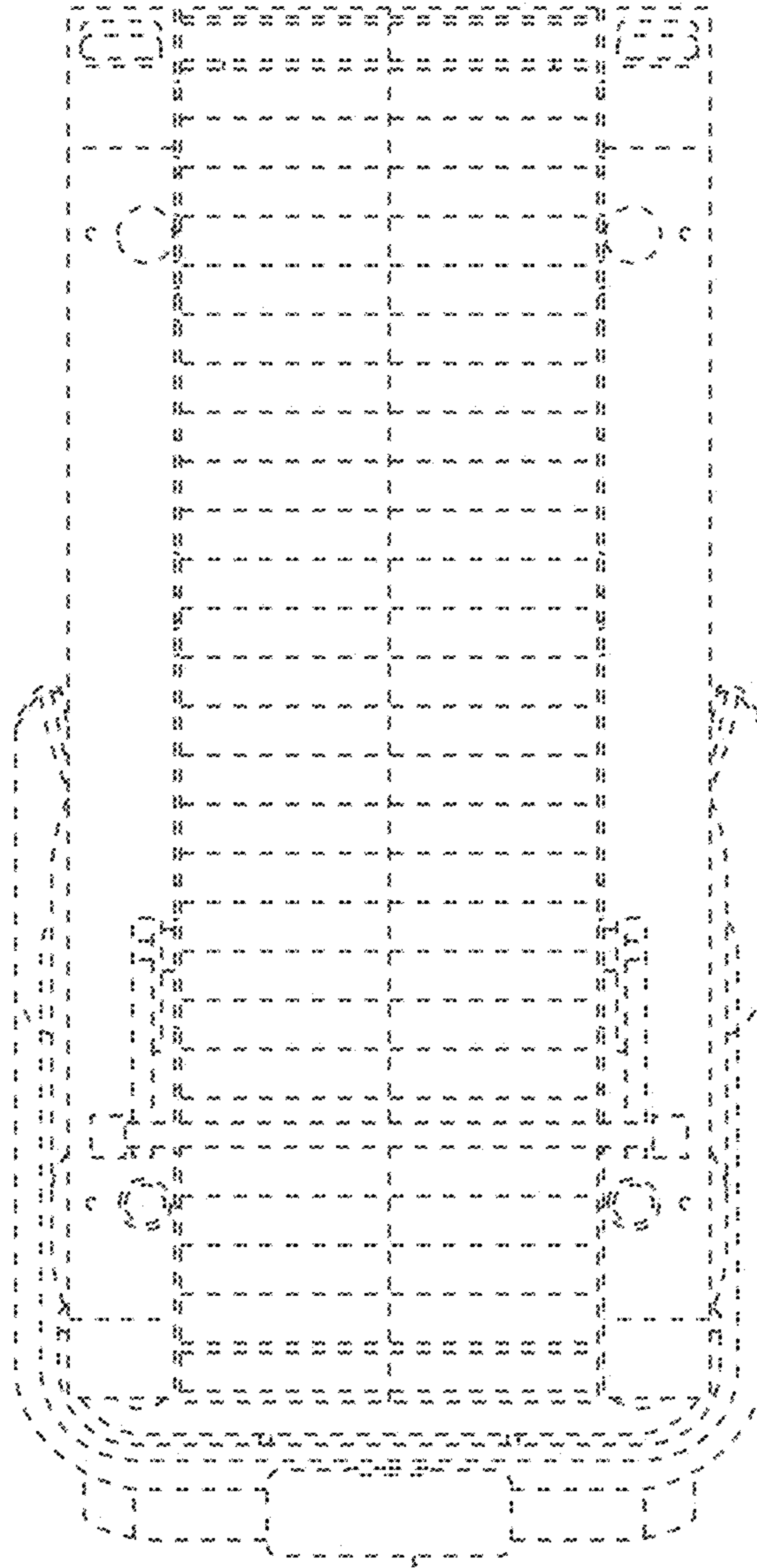


FIG. 8

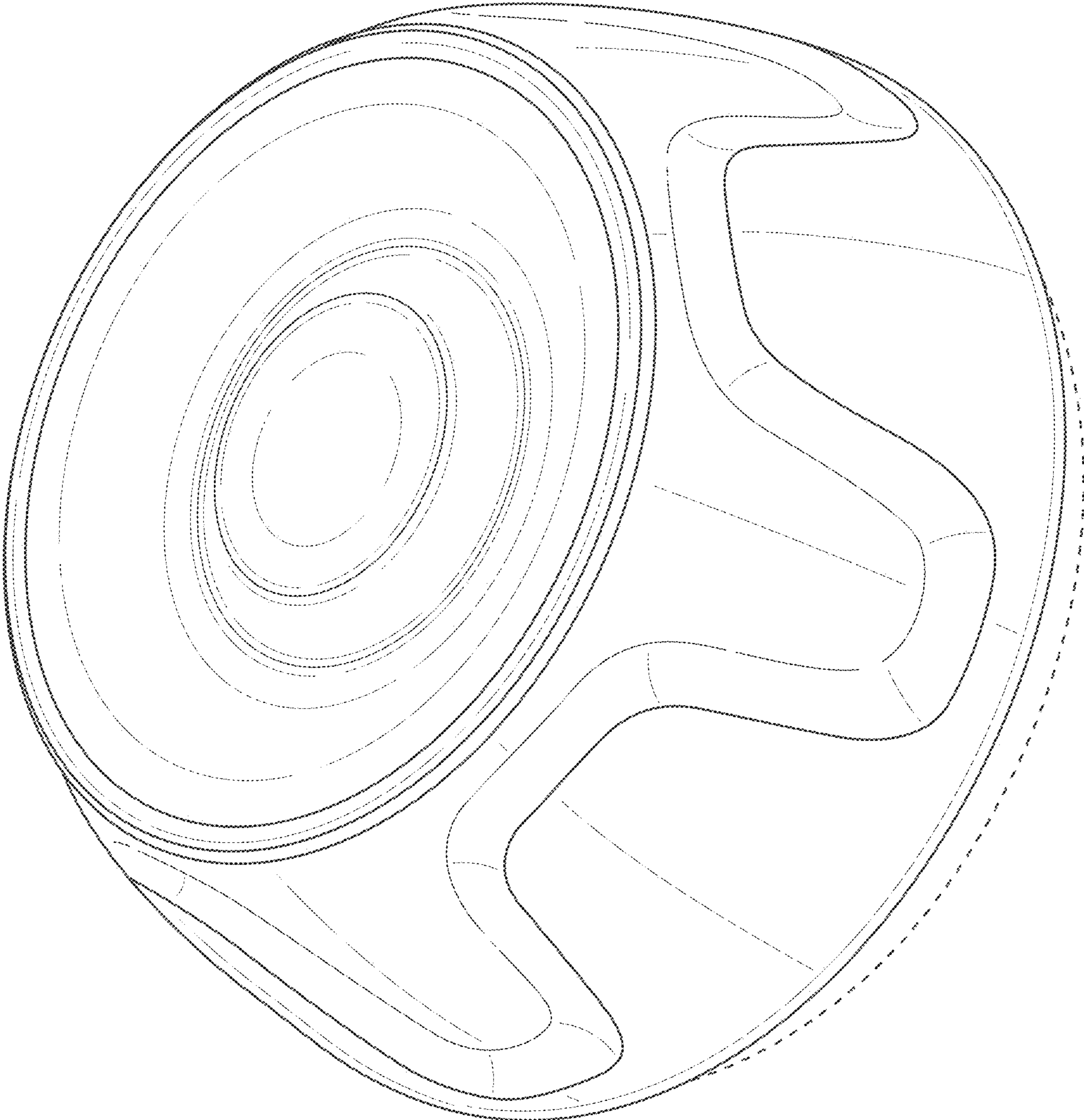


FIG. 9

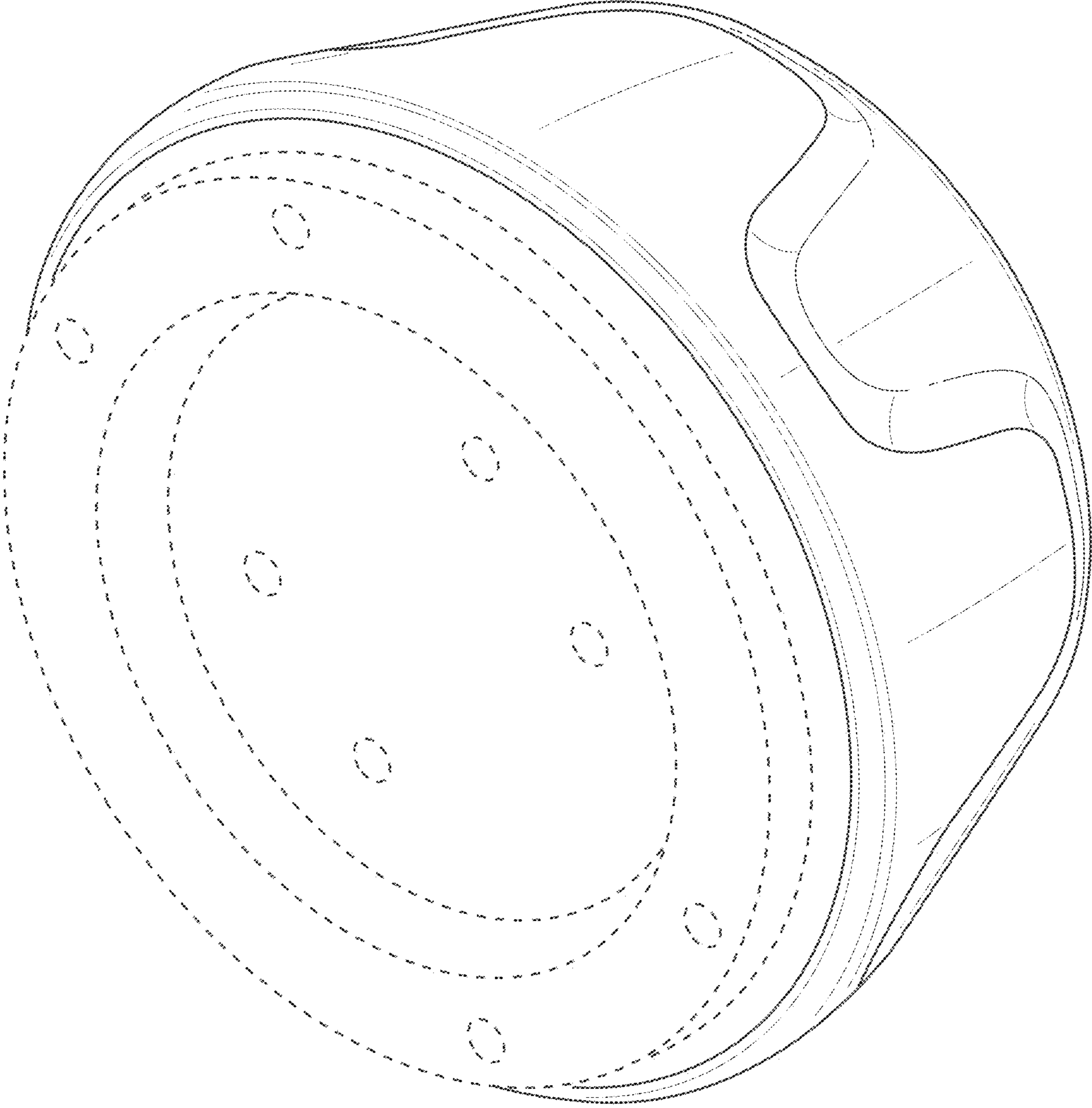


FIG. 10

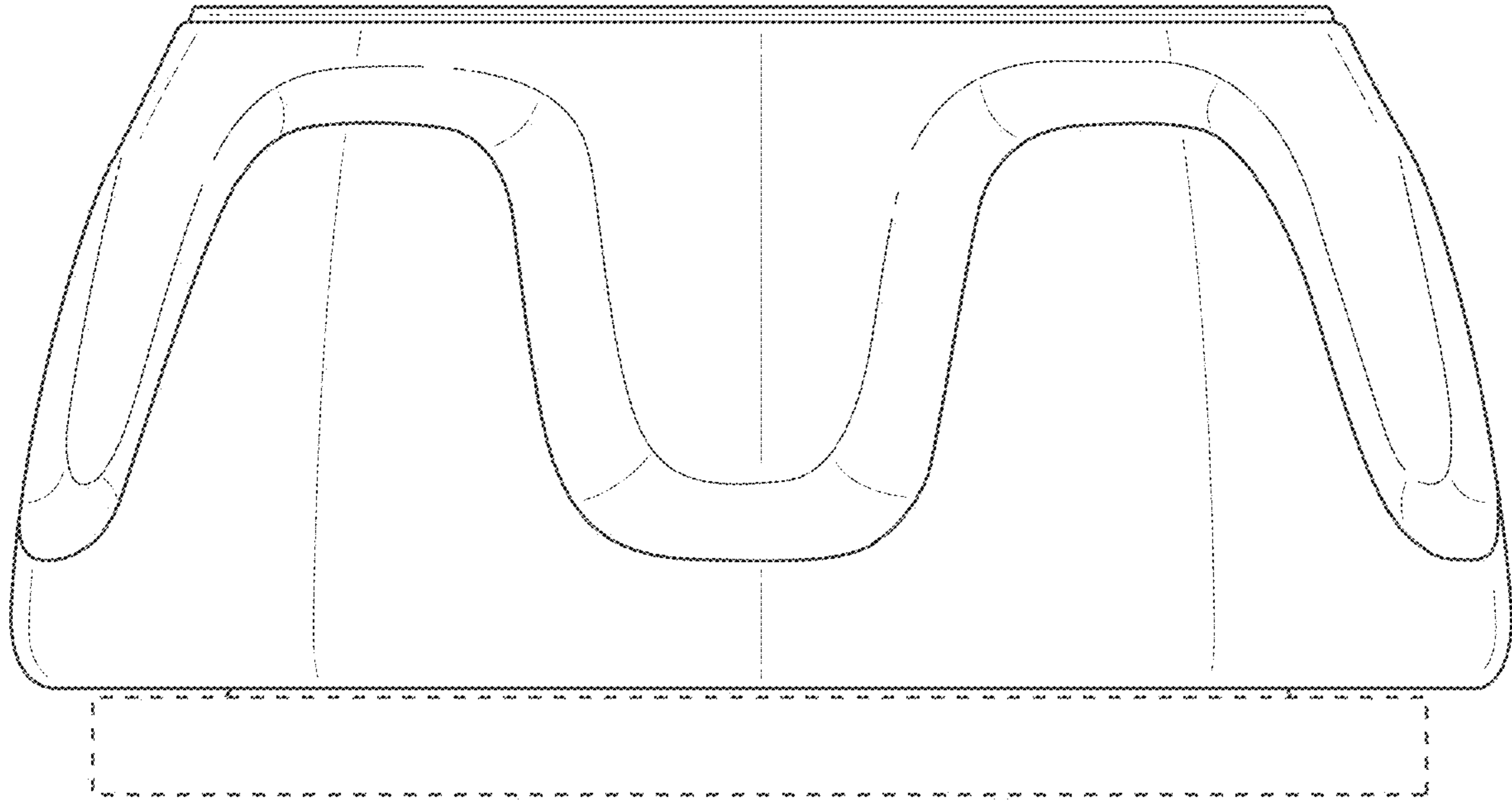


FIG. 11

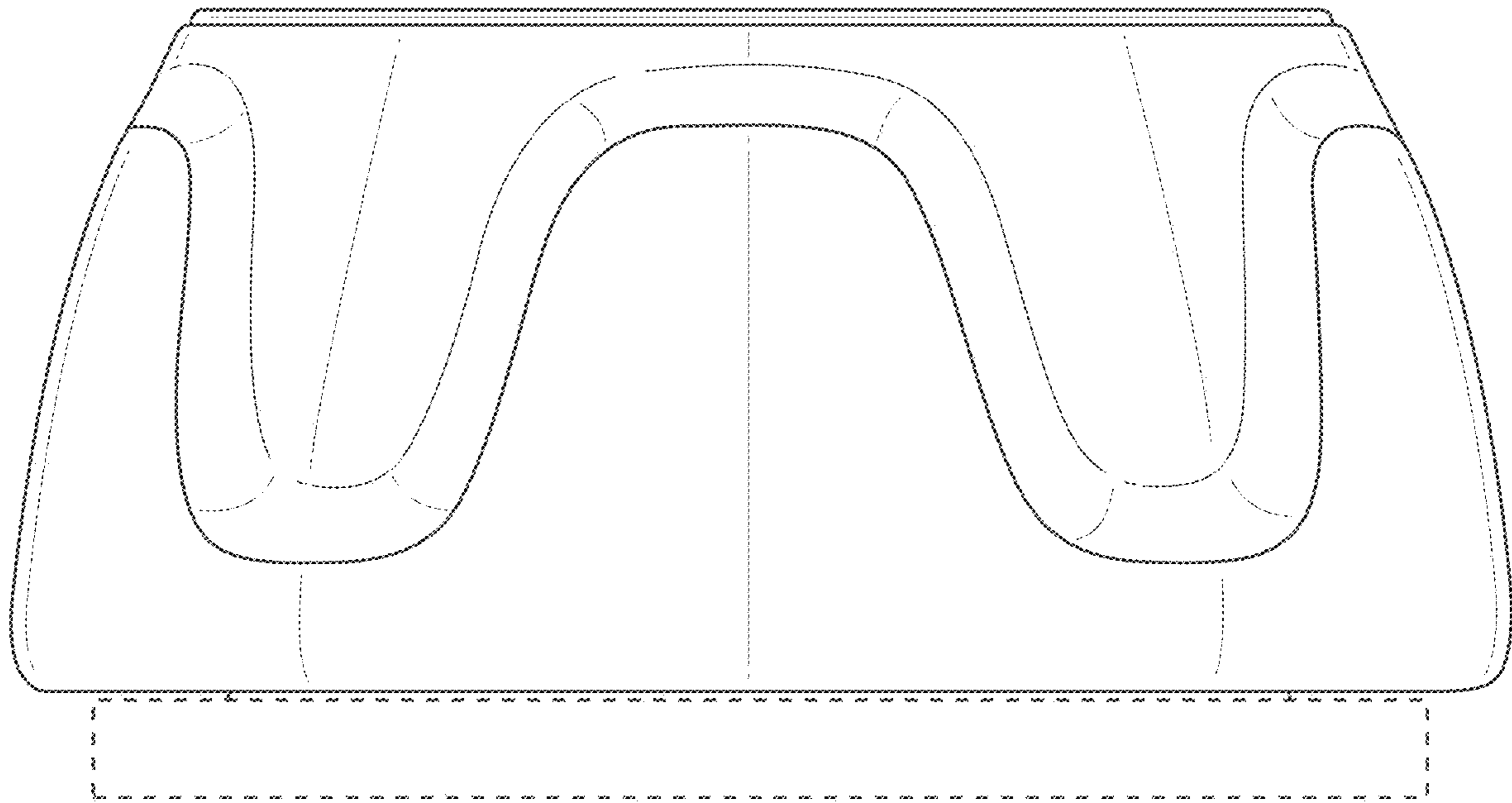


FIG. 12

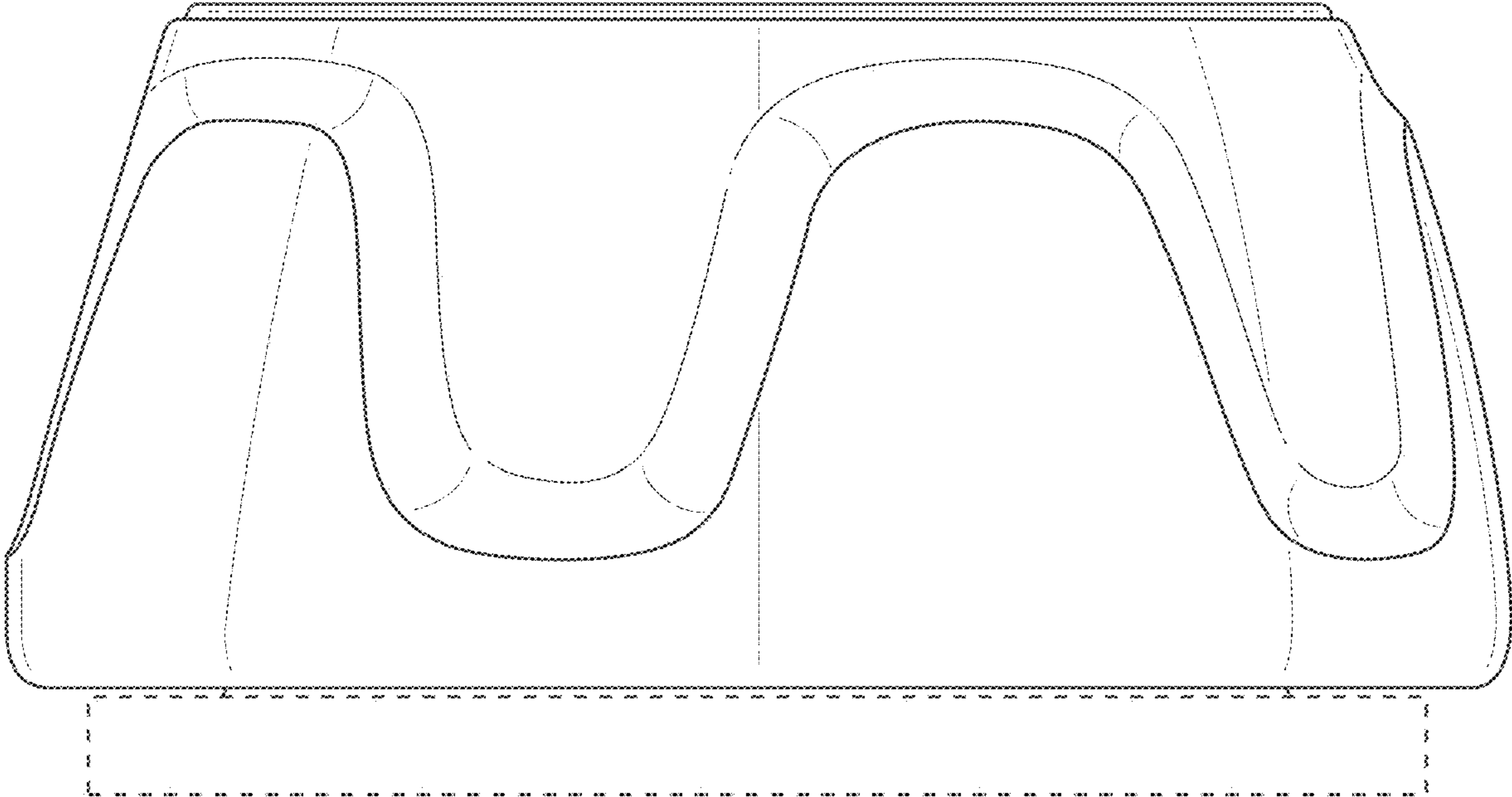


FIG. 13

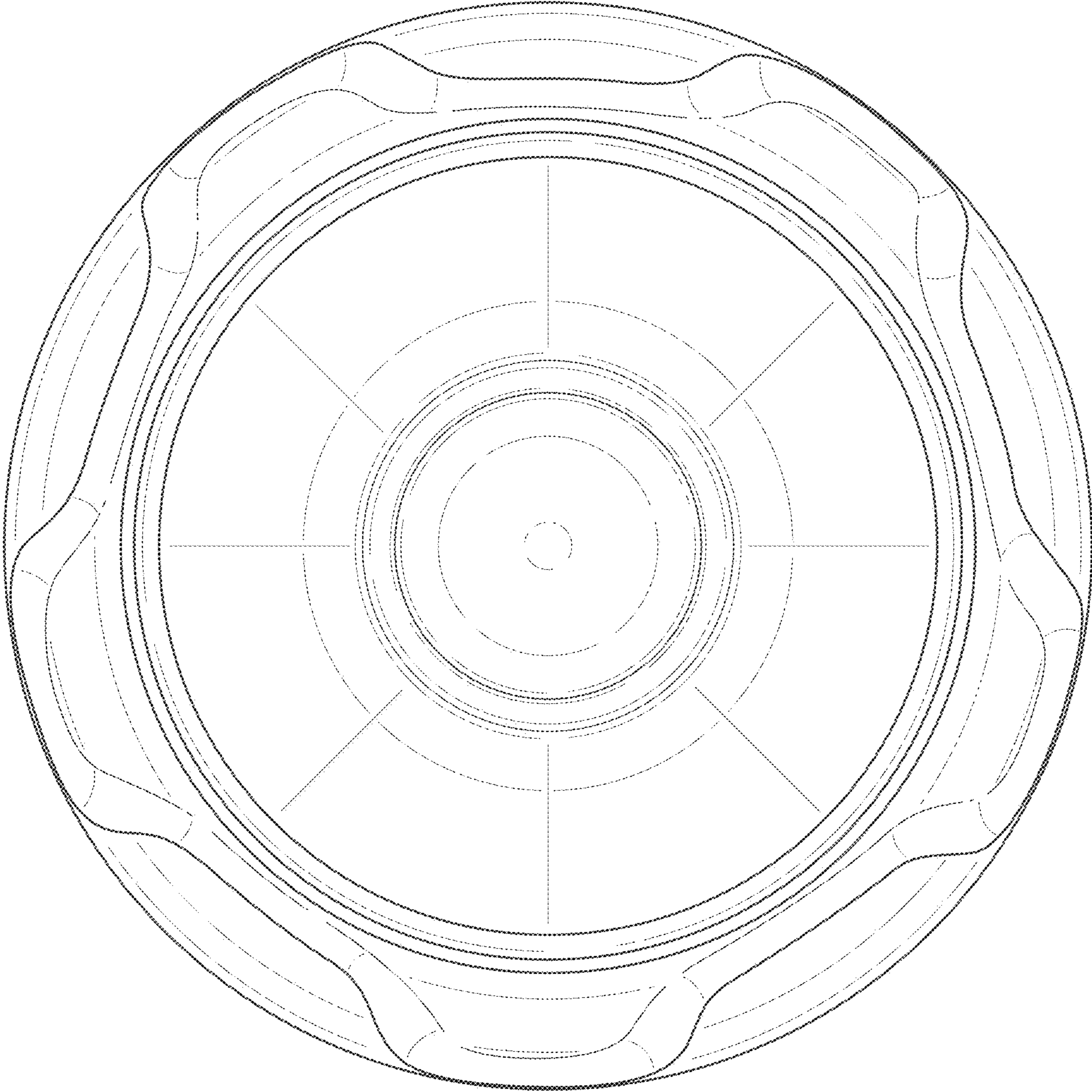


FIG. 14