



US00D946096S

(12) **United States Design Patent**
Gomes

(10) **Patent No.:** **US D946,096 S**
(45) **Date of Patent:** **** Mar. 15, 2022**

(54) **EXERCISE APPARATUS**

- (71) Applicant: **Sean Antoni Gomes**, Vredehoek (ZA)
 - (72) Inventor: **Sean Antoni Gomes**, Vredehoek (ZA)
 - (**) Term: **15 Years**
 - (21) Appl. No.: **29/762,452**
 - (22) Filed: **Dec. 16, 2020**
 - (51) **LOC (13) Cl.** **21-02**
 - (52) **U.S. Cl.**
USPC **D21/686**
 - (58) **Field of Classification Search**
USPC D21/796, 686, 791, 792, 797, 593, 594,
D21/621, 631, 635, 643, 644, 694, 582,
D21/497, 662, 334, 365, 335, 802, 687,
D21/690, 688, 689, 760, 769, 707, 811,
D21/814, 818; D6/349
- See application file for complete search history.

(56) **References Cited**

U.S. PATENT DOCUMENTS

3,485,493	A *	12/1969	Pitkanen	A63B 4/00 482/34
D227,584	S *	7/1973	Perez	D21/688
3,961,787	A *	6/1976	Studebaker	A63B 21/0004 273/114
5,203,279	A *	4/1993	Eversdyk	A01K 15/027 119/702
5,643,164	A *	7/1997	Teff	A63B 22/16 482/146
D588,225	S *	3/2009	Giannatos	D21/761
D648,403	S *	11/2011	Hanifee	D21/688
8,734,308	B1 *	5/2014	Joslin	A63B 21/4037 482/146
9,700,756	B2 *	7/2017	Franche	A63B 22/16
10,406,400	B2 *	9/2019	Brown	A63B 69/0093
D927,613	S *	8/2021	Ryan	D21/688
11,083,922	B2 *	8/2021	Ryan	A63B 23/0233
2014/0228187	A1 *	8/2014	Moscarello	A63B 26/003 482/142

OTHER PUBLICATIONS

Strongtekstore, announced 2018[online], [site visited Oct. 27, 2021]. Available on internet, URL:https://www.amazon.com/Professional-Accessory-Balancing-Anti-Slip-Stability/dp/B079J6SQ6G/ref (Year: 2018).*

Optp, announced 2009[online], [site visited Oct. 27, 2021]. Available on internet, URL:https://www.amazon.com/OPTP-Original-Wooden-Uniplane-Rocker/dp/B002C9KT5S/ref (Year: 2009).*

Plankpad, announced 2019[online], [site visited Oct. 27, 2021]. Available on internet, URL:https://www.amazon.com/Plankpad-Bodyweight-Training-Innovative-Interactive/dp/B07H3WT66T/ref (Year: 2019).*

* cited by examiner

Primary Examiner — Khawaja Anwar
Assistant Examiner — Julice Seung Eun Oum
 (74) *Attorney, Agent, or Firm* — Klarquist Sparkman, LLP

(57) **CLAIM**

The ornamental design for an exercise apparatus, as shown and described.

DESCRIPTION

FIG. 1 is a top perspective view of an exercise apparatus, showing my new design;
 FIG. 2 is a bottom perspective view of the exercise apparatus of FIG. 1
 FIG. 3 is a right-side view of the exercise apparatus of FIG. 1.
 FIG. 4 is a left-side view of the exercise apparatus of FIG. 1.
 FIG. 5 is a front view of the exercise apparatus of FIG. 1.
 FIG. 6 is a rear view of the exercise apparatus of FIG. 1.
 FIG. 7 is a top view of the exercise apparatus of FIG. 1; and,
 FIG. 8 is a bottom view of the exercise apparatus of FIG. 1.

1 Claim, 8 Drawing Sheets

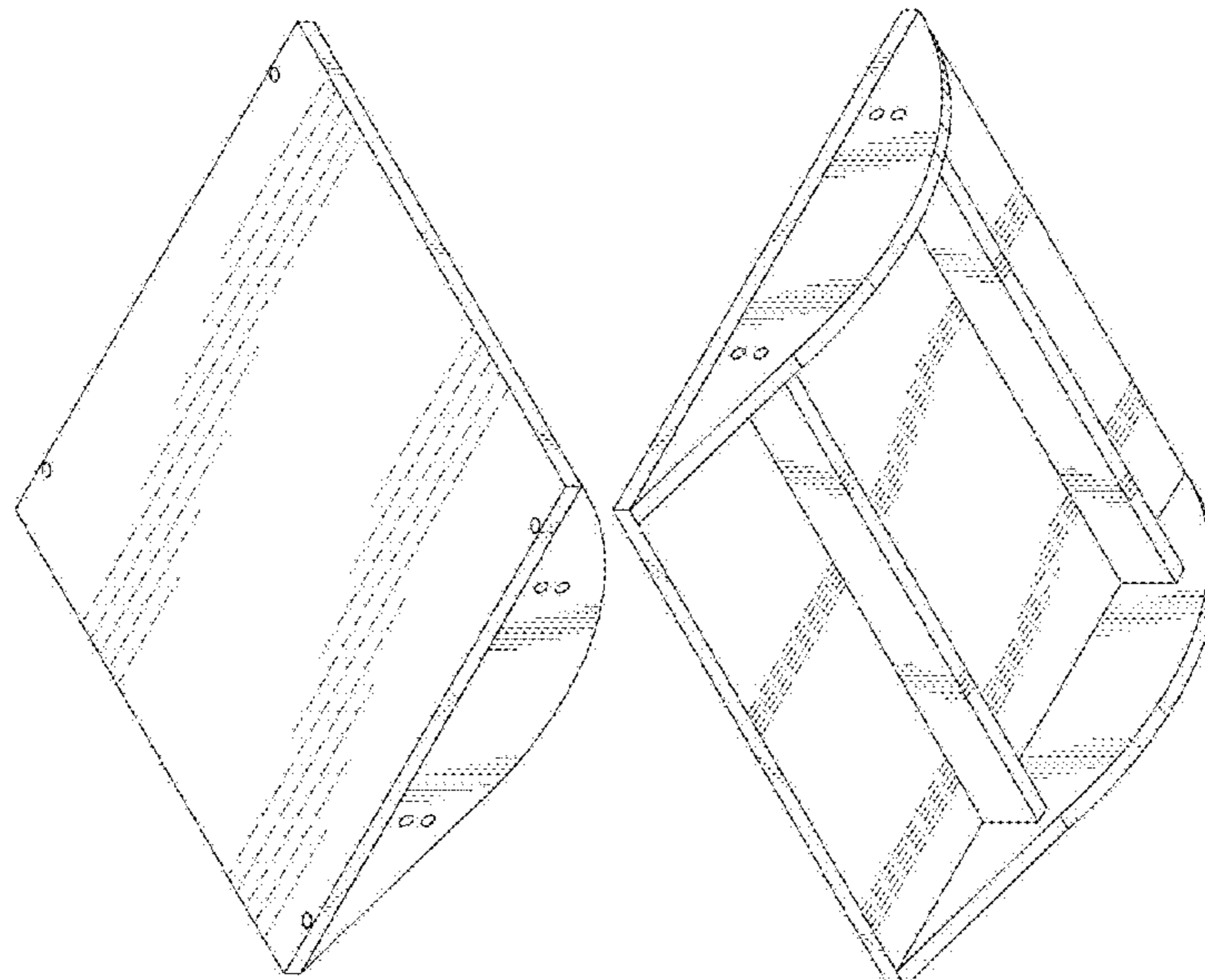


FIG 1

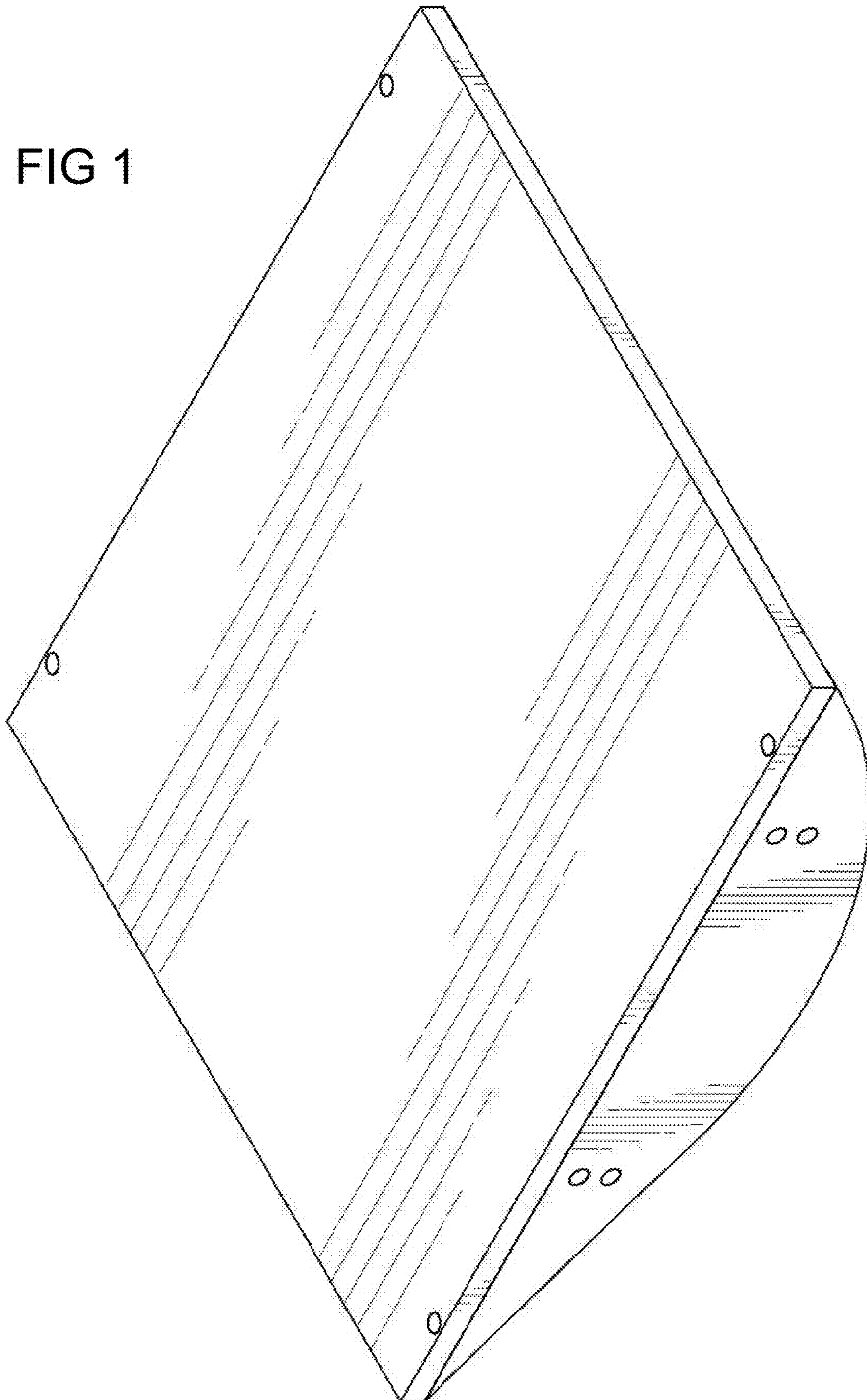


FIG 2

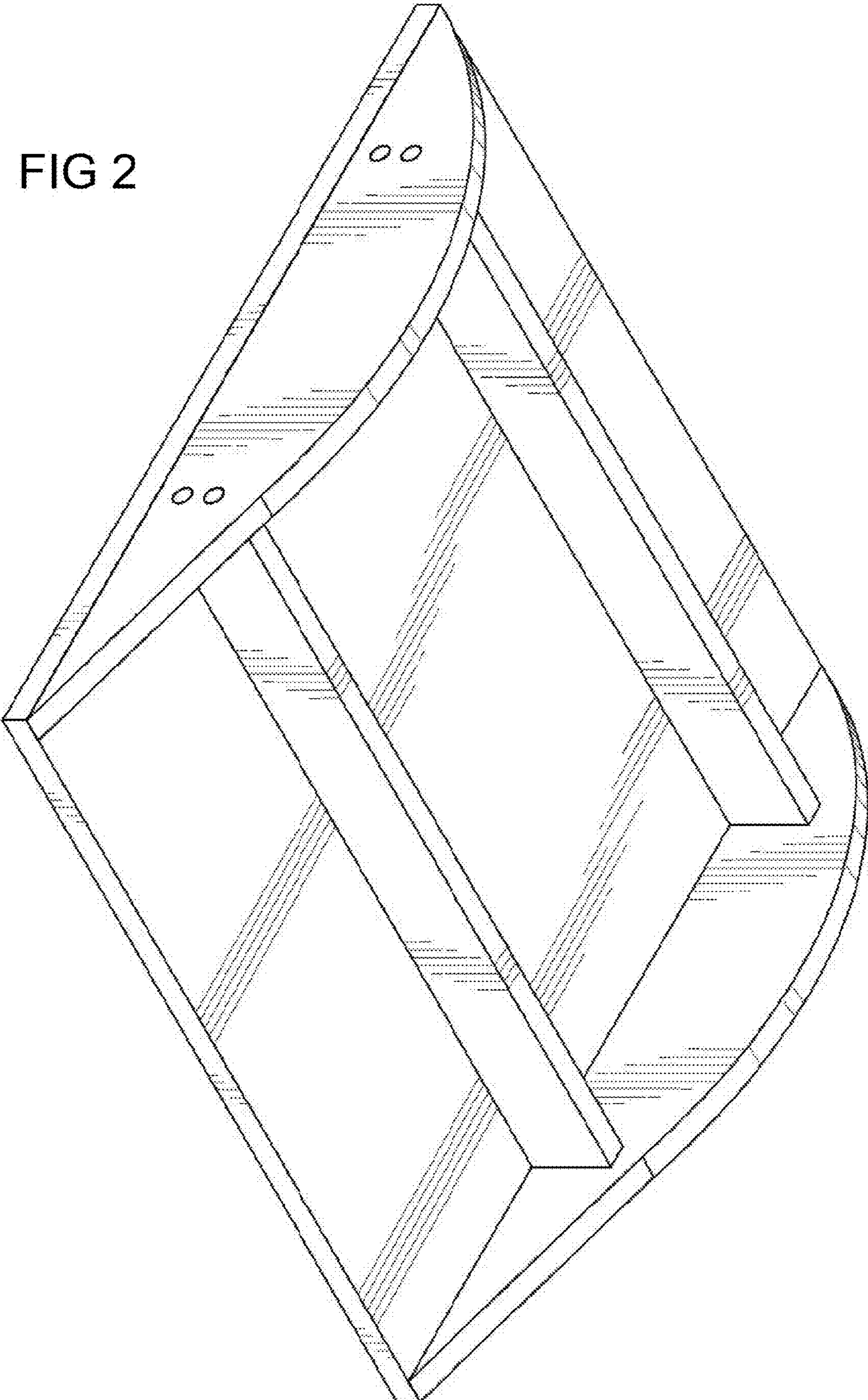


FIG 3

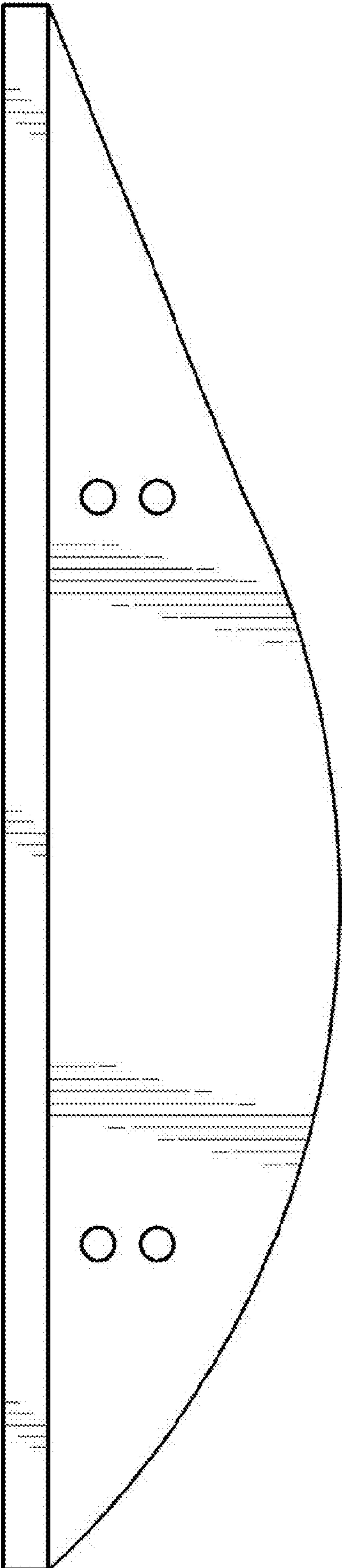


FIG 4

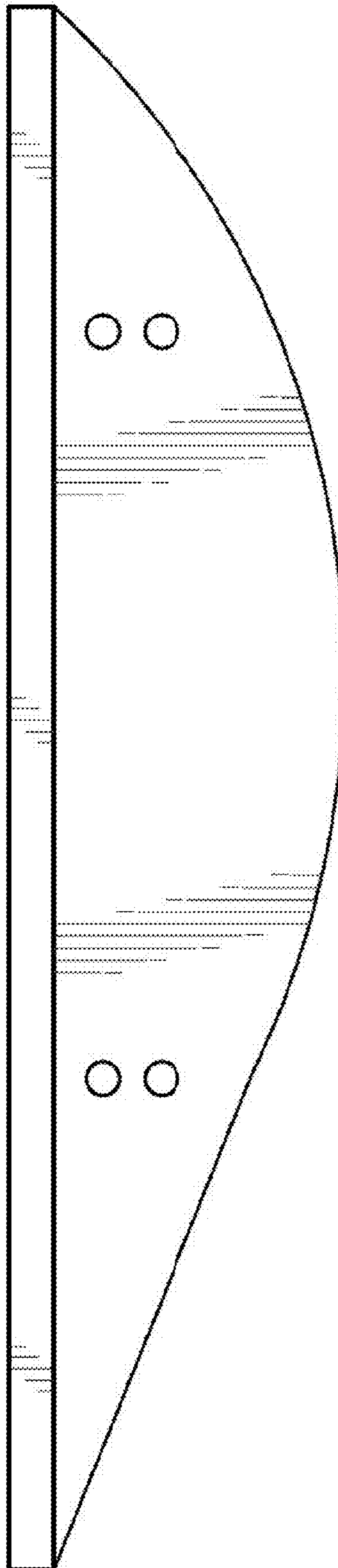


FIG 5

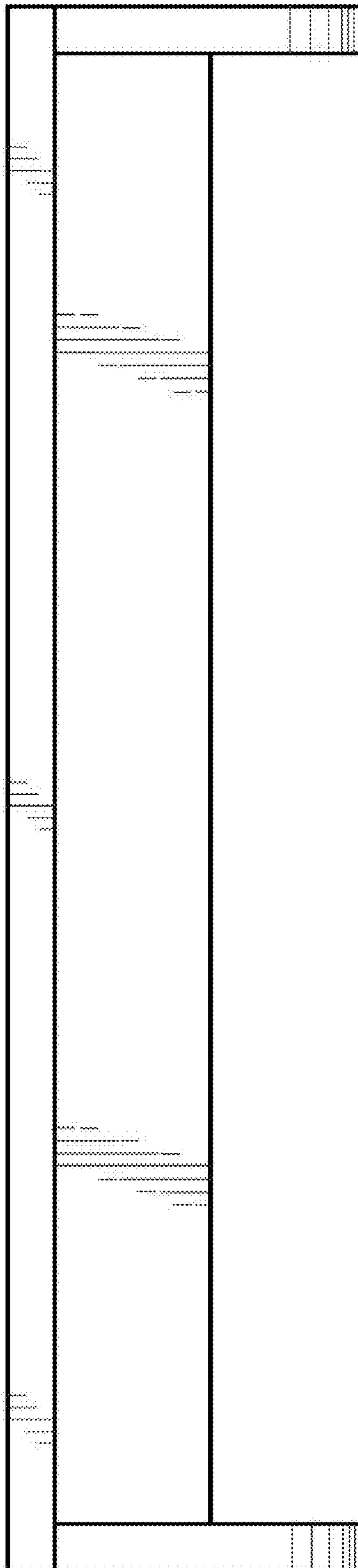


FIG 6

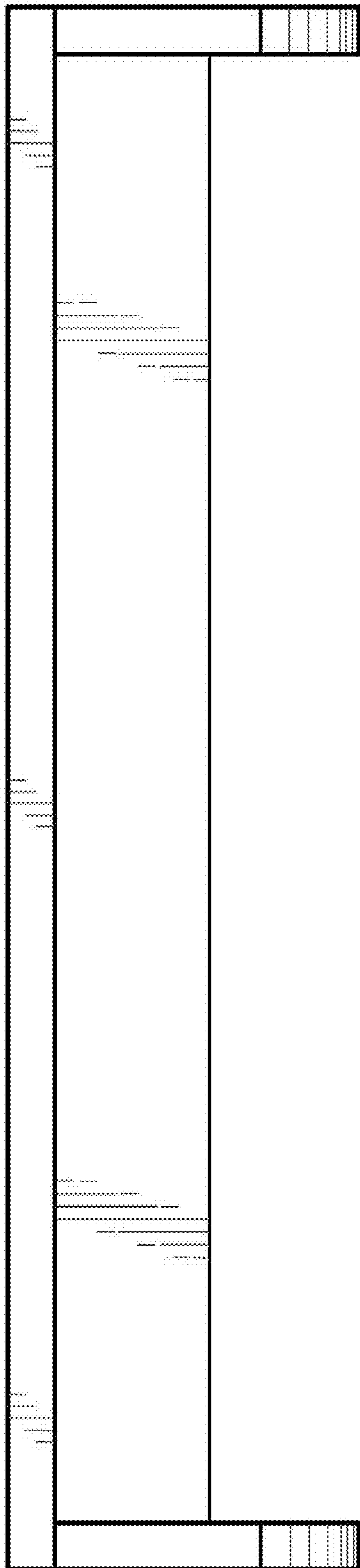


FIG 7

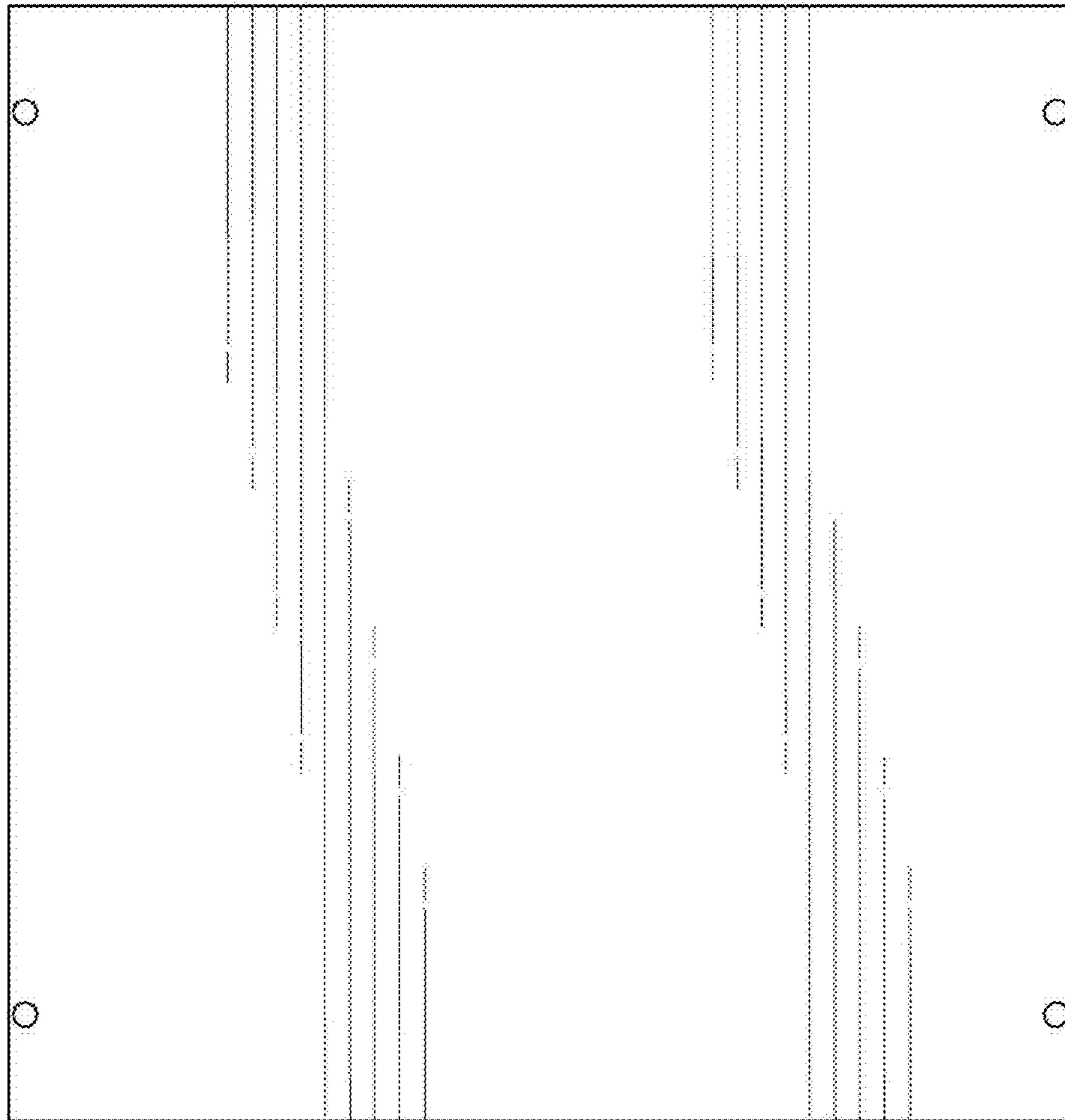


FIG 8

