



US00D946094S

(12) **United States Design Patent**  
**Lagree**

(10) **Patent No.:** **US D946,094 S**  
(45) **Date of Patent:** **\*\* Mar. 15, 2022**

- (54) **EXERCISE MACHINE**
- (71) Applicant: **Lagree Technologies, Inc.**, Burbank, CA (US)
- (72) Inventor: **Sebastien Anthony Louis Lagree**, Burbank, CA (US)
- (73) Assignee: **Lagree Technologies, Inc.**, Chatsworth, CA (US)
- (\*\*) Term: **15 Years**
- (21) Appl. No.: **29/728,053**
- (22) Filed: **Mar. 16, 2020**
- (51) **LOC (13) Cl.** ..... **21-02**
- (52) **U.S. Cl.**  
USPC ..... **D21/686**
- (58) **Field of Classification Search**  
USPC ..... D21/419, 421, 423, 426, 760, 765, 766, 767, 769, 771, 776, 803, 662, 686, 687, 688, 694, 690, 707, 797, 802, 811, 814, 818, 697, 695, 667, 676, 671  
See application file for complete search history.

D382,319 S 8/1997 Gerschefske  
5,681,249 A 10/1997 Endelman  
5,885,197 A 3/1999 Barton  
5,967,955 A 10/1999 Westfall  
(Continued)

**FOREIGN PATENT DOCUMENTS**

WO WO 2004/096376 11/2004

**OTHER PUBLICATIONS**

Total gym fitness, announced 2017[online], [site visited Oct. 18, 2021]. Available on internet, URL:[https://www.amazon.com/Total-Gym-Fitness-Dynamic-Abdominal/dp/B0743HWSGD/ref=sr\\_1\\_16?dchild=1&keywords=CORE+TRAINER&qid=1634594852&sr=8-16](https://www.amazon.com/Total-Gym-Fitness-Dynamic-Abdominal/dp/B0743HWSGD/ref=sr_1_16?dchild=1&keywords=CORE+TRAINER&qid=1634594852&sr=8-16) (Year: 2017).\*

*Primary Examiner* — Khawaja Anwar  
*Assistant Examiner* — Julice Seung Eun Oum  
(74) *Attorney, Agent, or Firm* — Neustel Law Offices

(57) **CLAIM**

The ornamental design for an exercise machine, as shown and described.

(56) **References Cited**

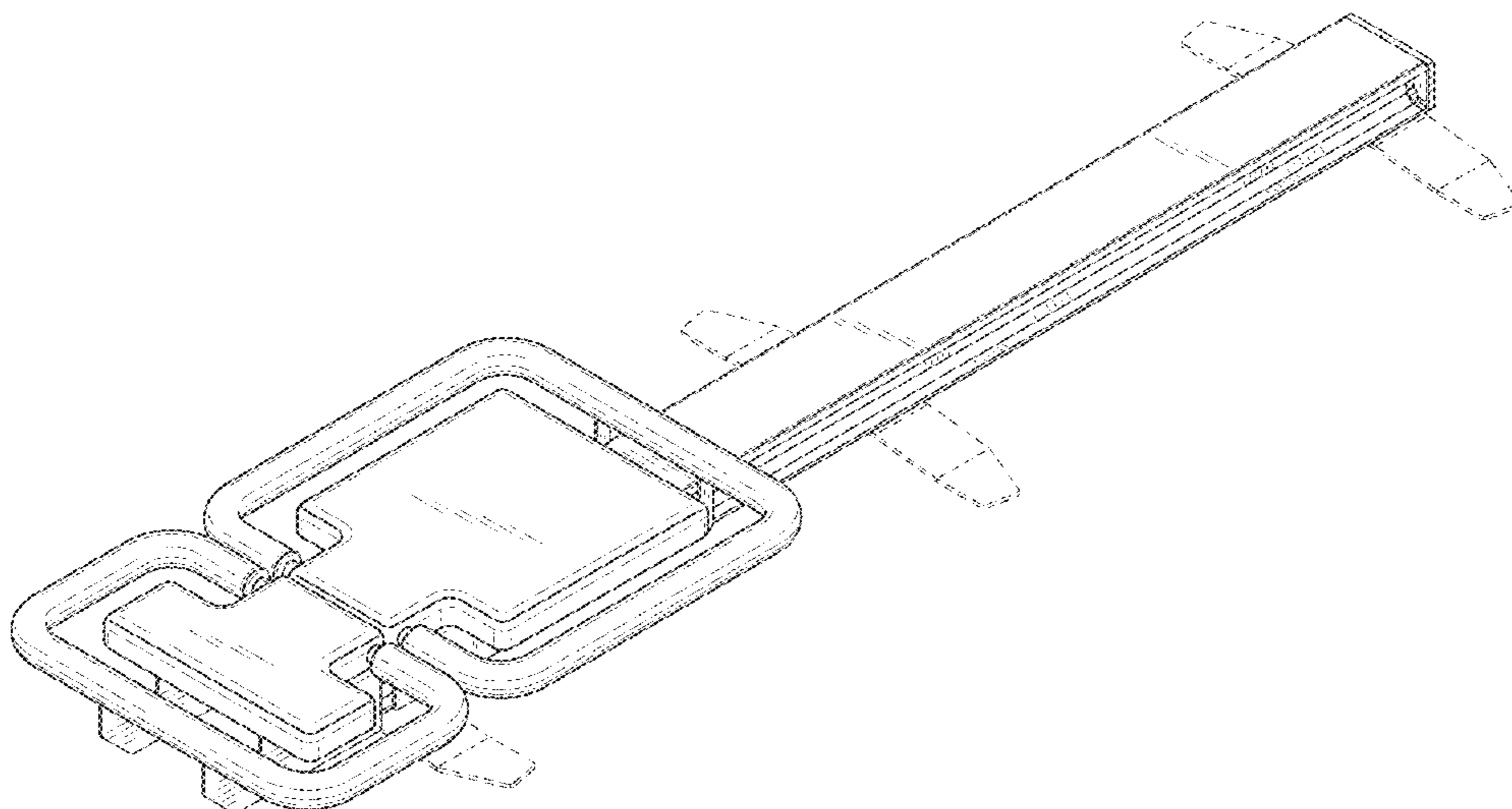
**U.S. PATENT DOCUMENTS**

- 1,621,477 A 8/1925 Pilates
- 3,394,934 A \* 7/1968 Elia ..... A63B 21/0622  
482/72
- 3,770,267 A 11/1973 McCarthy
- D272,376 S \* 1/1984 Cunnington ..... D21/674
- D277,304 S \* 1/1985 Smith ..... 482/73
- 4,759,540 A 7/1988 Yu
- 4,798,378 A 1/1989 Jones
- 4,974,832 A \* 12/1990 Dalebout ..... A63B 21/00069  
482/138
- 5,066,005 A 11/1991 Luecke
- 5,263,913 A 11/1993 Boren
- D352,534 S \* 11/1994 Dreibelbis ..... D21/674
- D362,700 S 9/1995 Breibart
- 5,518,483 A \* 5/1996 Oswald ..... A63B 21/012  
482/114

**DESCRIPTION**

FIG. 1 is a rear perspective view of an exercise machine showing my new design;  
FIG. 2 is a front perspective view thereof;  
FIG. 3 is a top view thereof;  
FIG. 4 is a bottom view thereof;  
FIG. 5 is a left view thereof;  
FIG. 6 is a right view thereof;  
FIG. 7 is a front view thereof; and,  
FIG. 8 is a rear view thereof.  
The broken line portions of the drawings are included to show unclaimed subject matter and form no part of the claimed design.

**1 Claim, 5 Drawing Sheets**





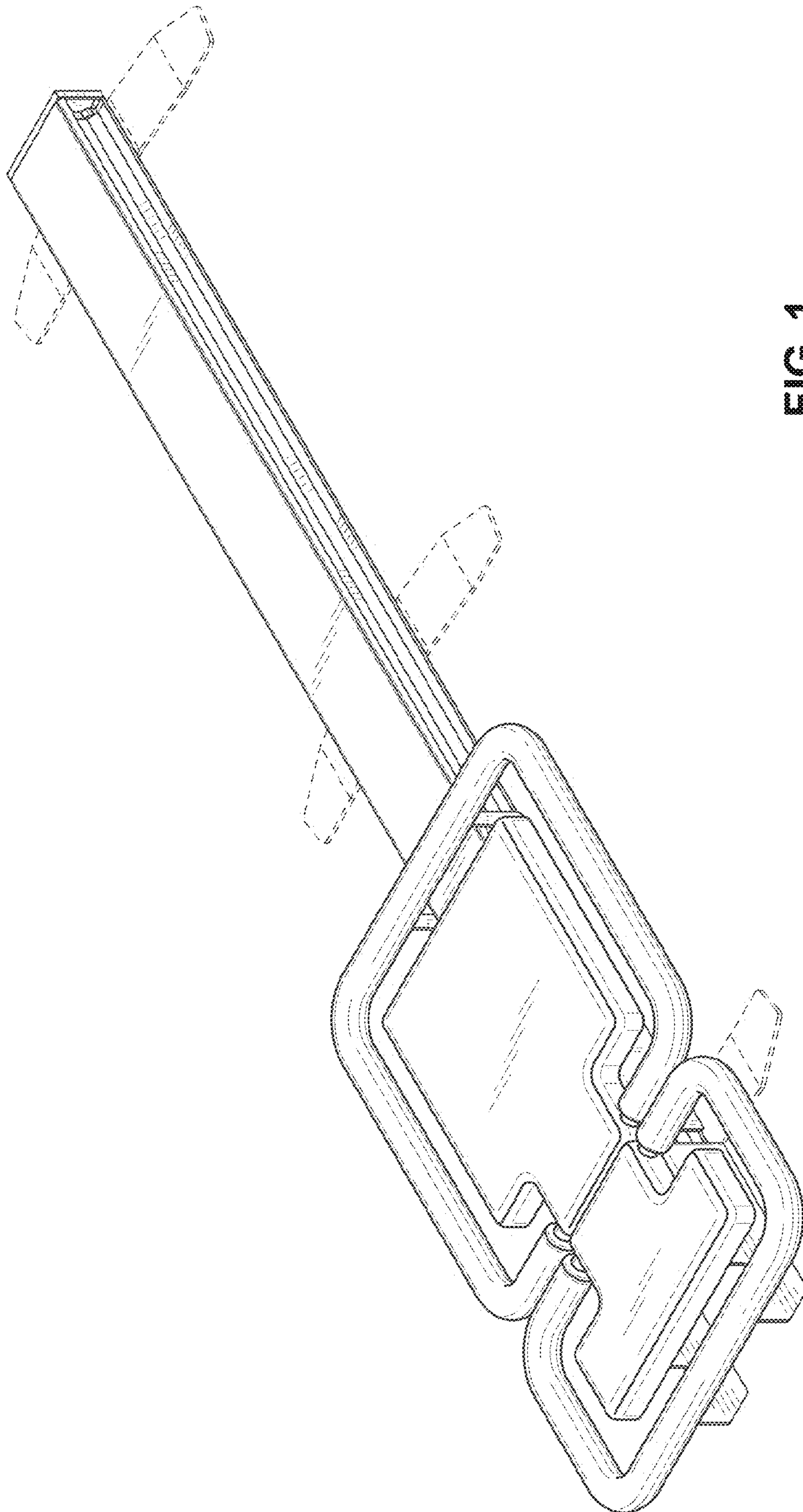


FIG. 1

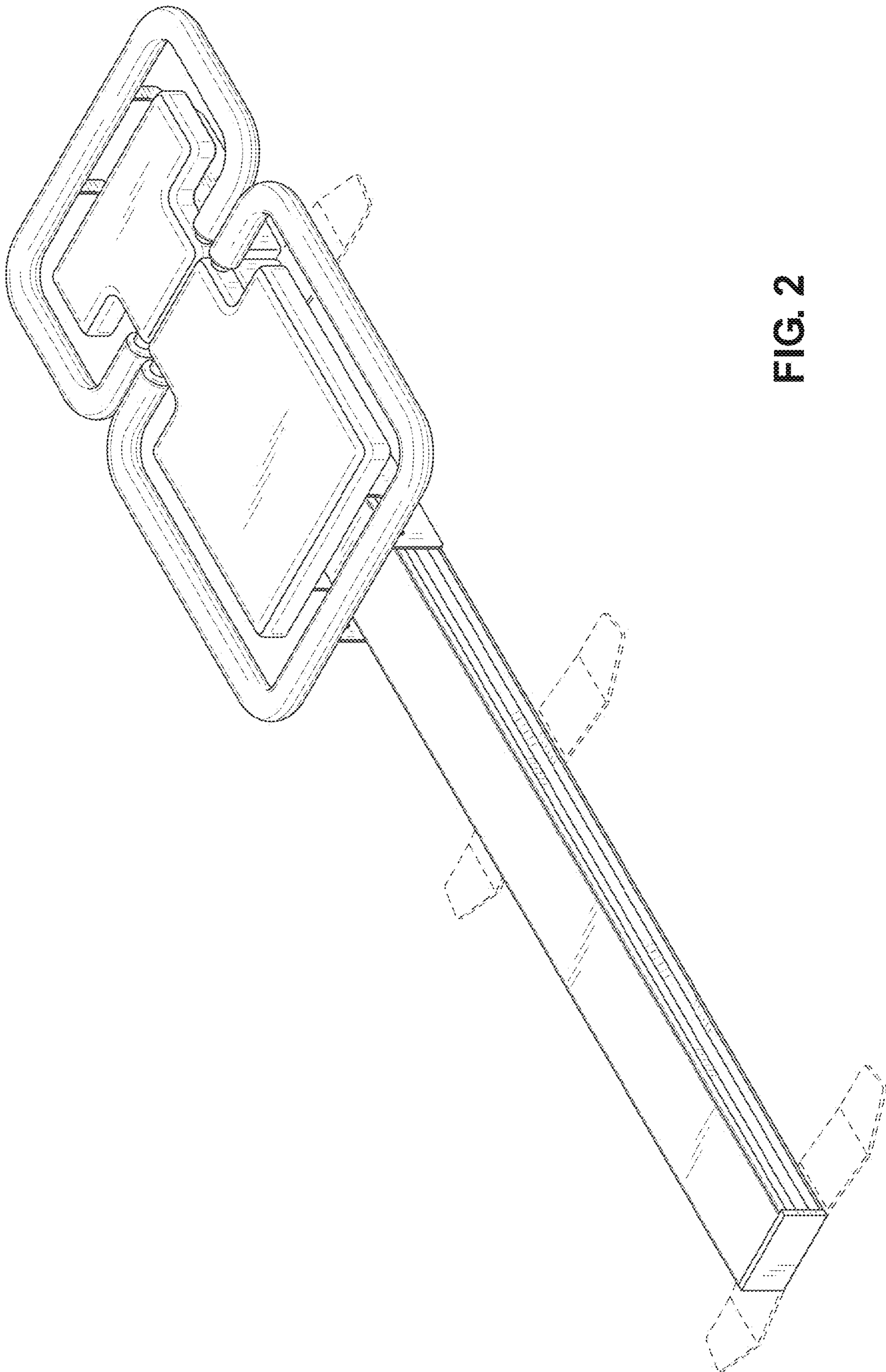
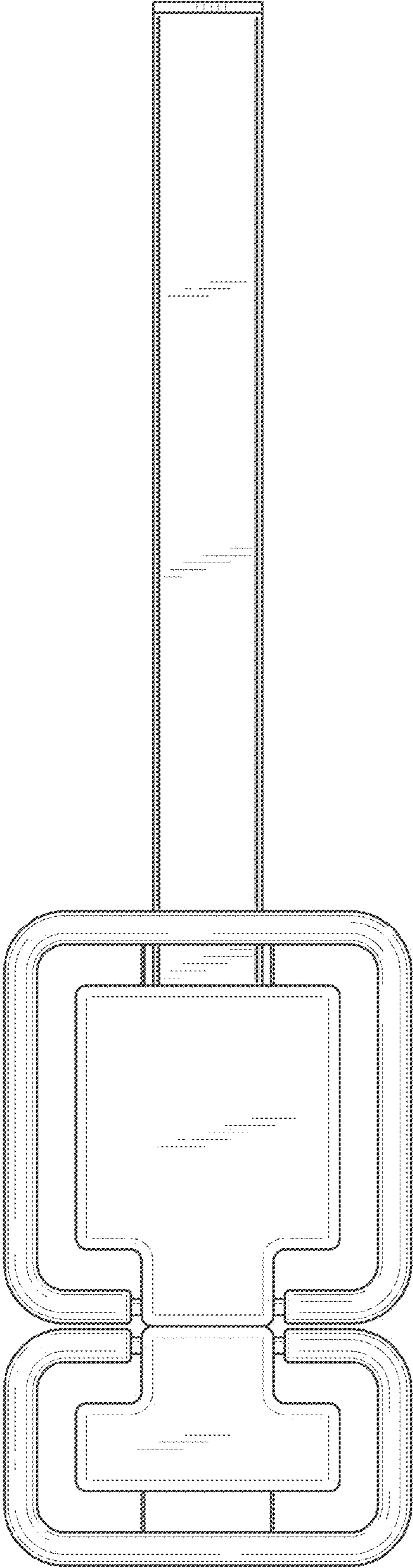
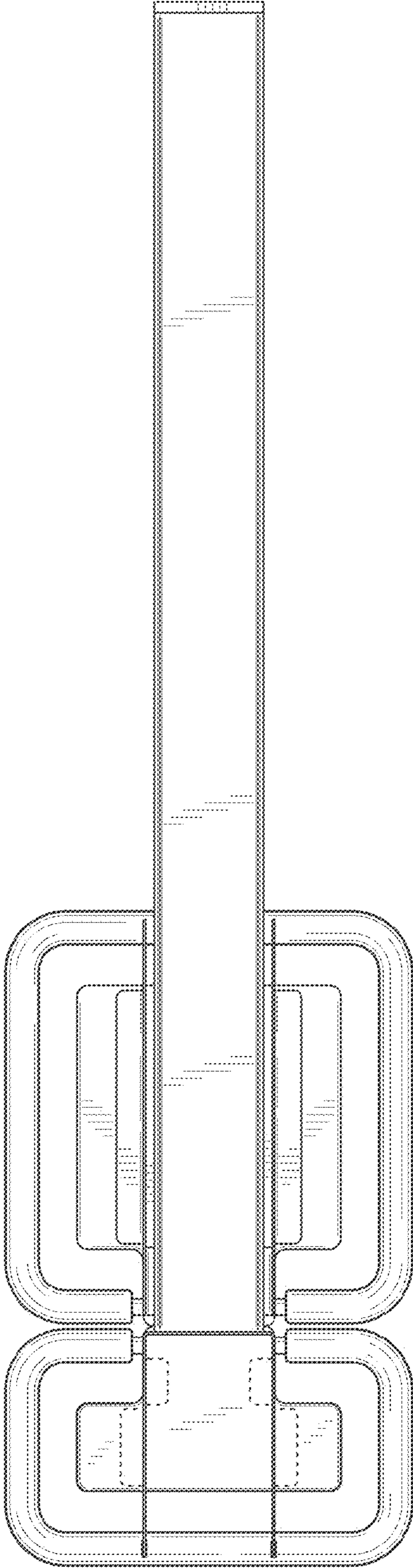


FIG. 2



**FIG. 3**



**FIG. 4**

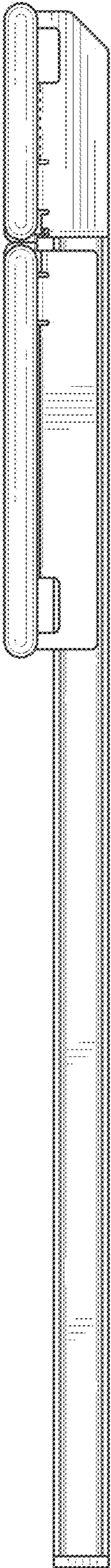


FIG. 5

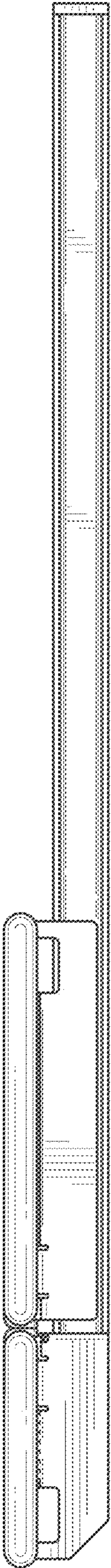


FIG. 6

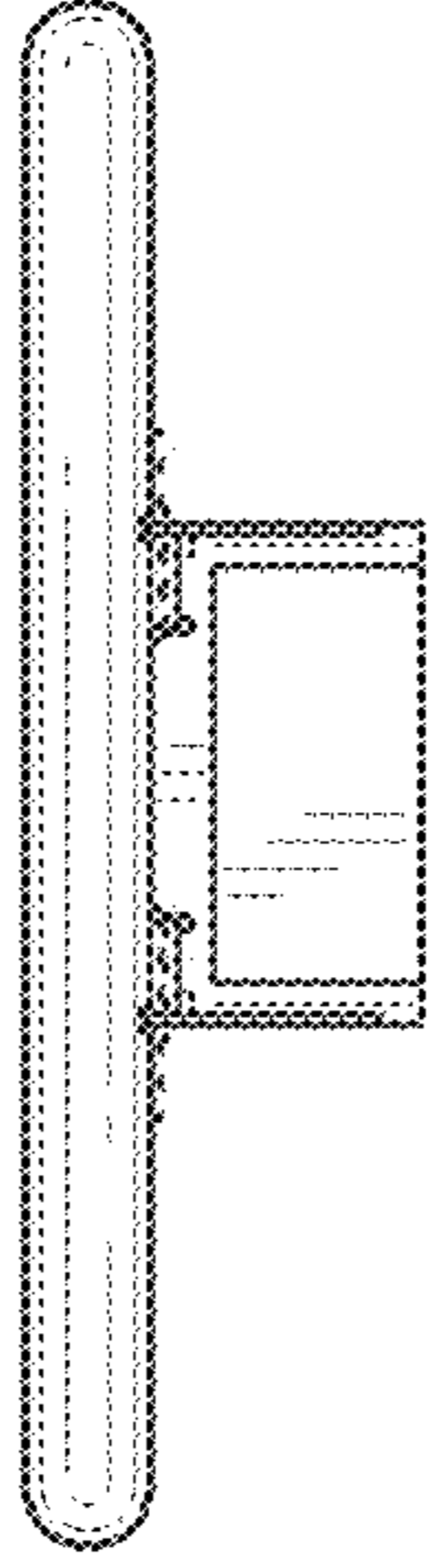


FIG. 7

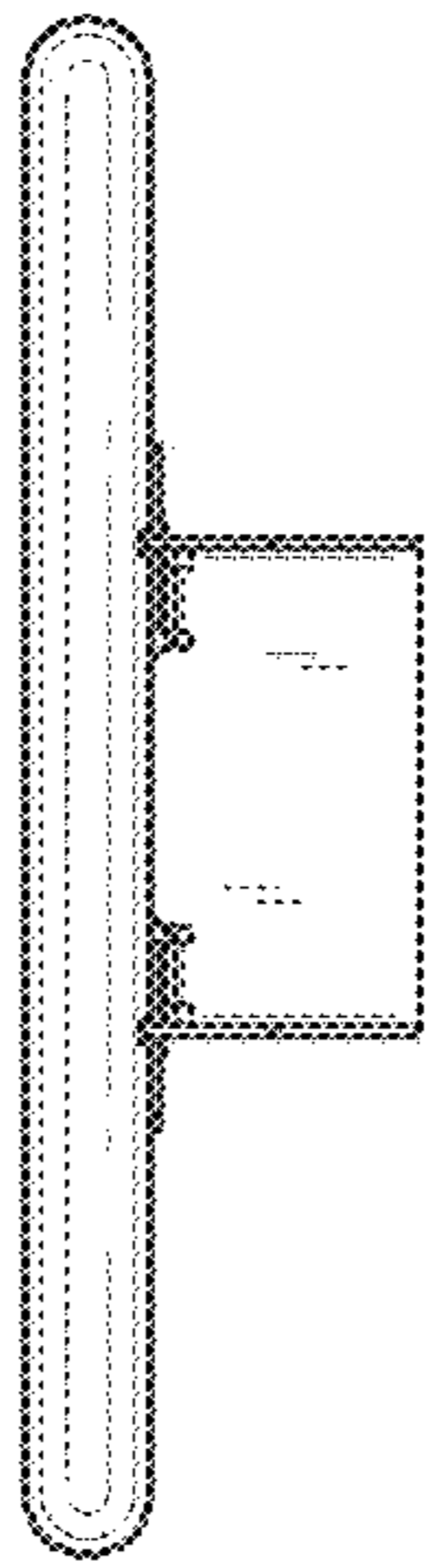


FIG. 8