



US00D946092S

(12) **United States Design Patent**
Casto, Jr.

(10) **Patent No.:** **US D946,092 S**
(45) **Date of Patent:** **** Mar. 15, 2022**

(54) **MODULAR PNEUMATIC LAUNCHER CORE**

Primary Examiner — Gino Colan

(71) Applicant: **Arlos Franklin Casto, Jr.**, Marietta,
OH (US)

(57) **CLAIM**

The ornamental design for a modular pneumatic launcher core, as shown and described.

(72) Inventor: **Arlos Franklin Casto, Jr.**, Marietta,
OH (US)

DESCRIPTION

(**) Term: **15 Years**

(21) Appl. No.: **29/713,717**

(22) Filed: **Nov. 18, 2019**

(51) **LOC (13) Cl.** **21-01**

(52) **U.S. Cl.**
USPC **D21/573**

(58) **Field of Classification Search**
USPC D21/571, 573; 124/64, 75, 69
CPC F41B 11/723; F41B 11/62; F41B 11/00;
F41B 11/681; F41B 11/724
See application file for complete search history.

FIG. 1 is a top-front-left perspective view of a modular pneumatic launcher core showing my new design; FIG. 2 is a bottom-rear-right perspective view thereof; FIG. 3 is a front elevational view thereof; FIG. 4 is a rear elevational view thereof; FIG. 5 is a left-side elevational view thereof; FIG. 6 is a right-side elevational view thereof; FIG. 7 is a top plan view thereof; FIG. 8 is a bottom plan view thereof; FIG. 9 is a top-front-left perspective view thereof, wherein the present invention is shown fitted with exemplary equipment; and, FIG. 10 is a bottom-rear-right perspective view thereof, wherein the wherein the present invention is shown fitted with exemplary equipment. The dashed line showing circular features in FIGS. 1, 2, 3, 4, 7, 8, 9, and 10, and the exemplary equipment shown in FIG. 9, and FIG. 10 are included for the purpose of illustrating environmental structure and forms no part of the claimed design.

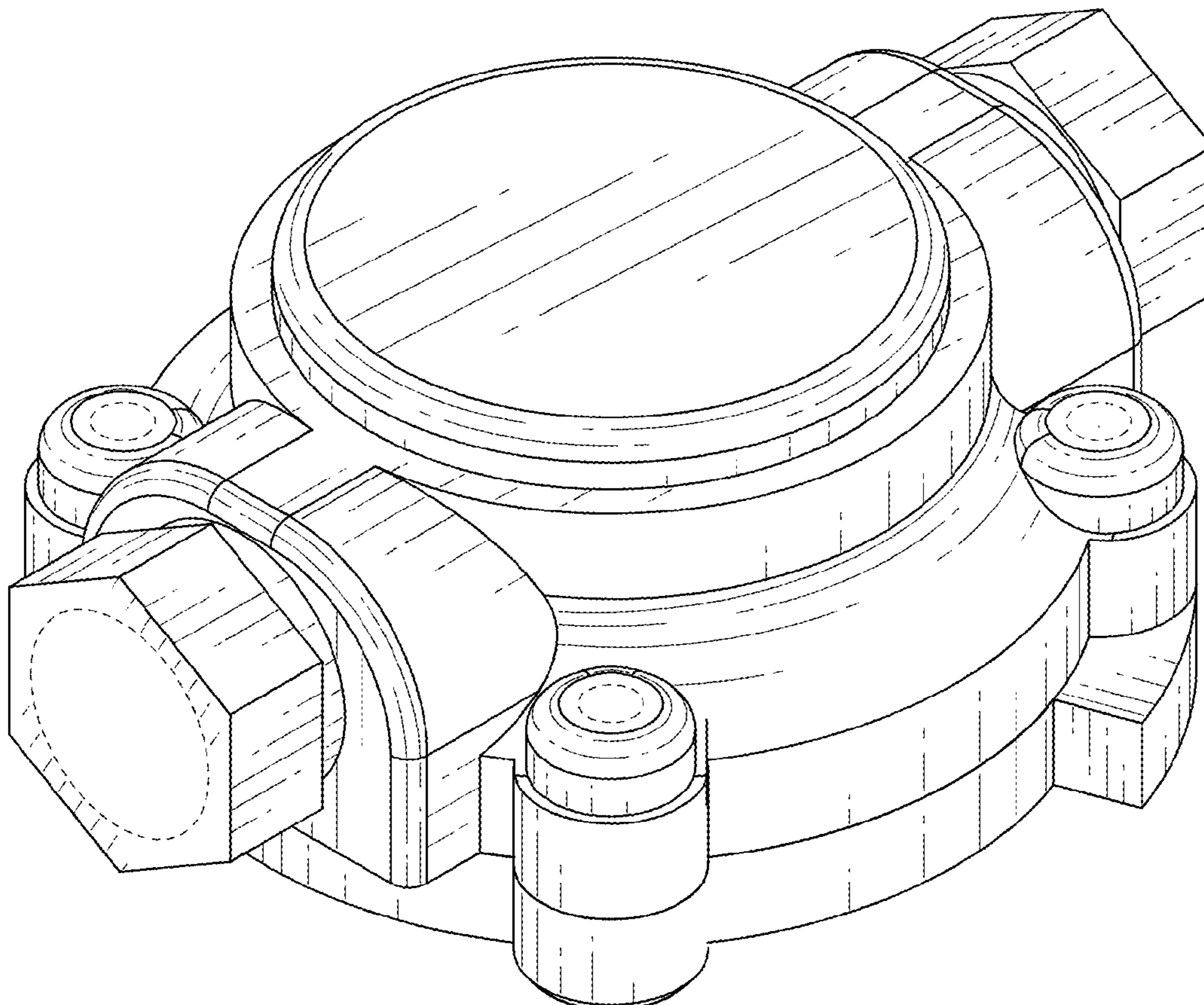
(56) **References Cited**

U.S. PATENT DOCUMENTS

10,900,740 B1 * 1/2021 Casto, Jr. F41B 11/723
10,914,546 B1 * 2/2021 Casto, Jr. F41B 11/62

* cited by examiner

1 Claim, 10 Drawing Sheets



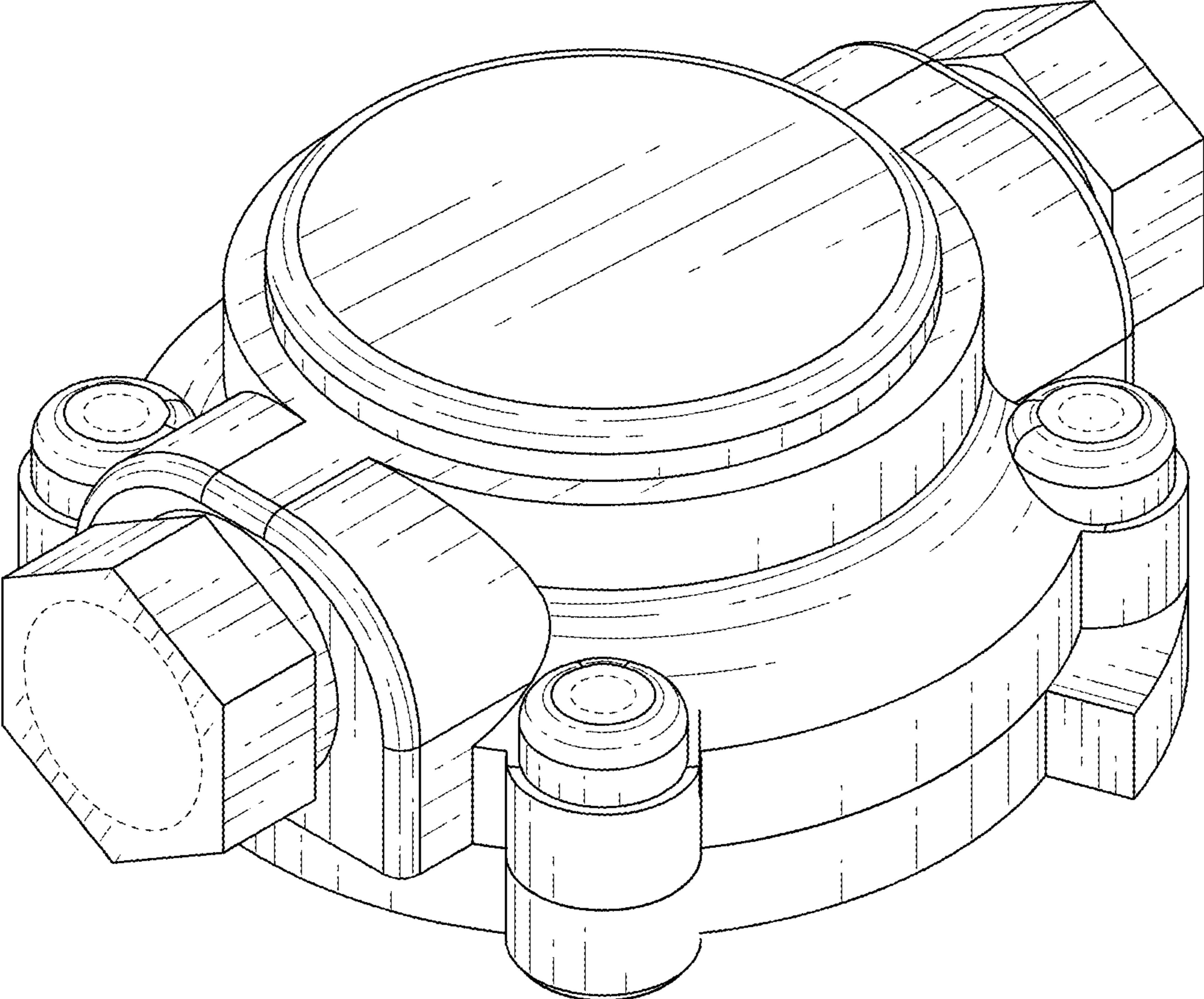


FIG. 1

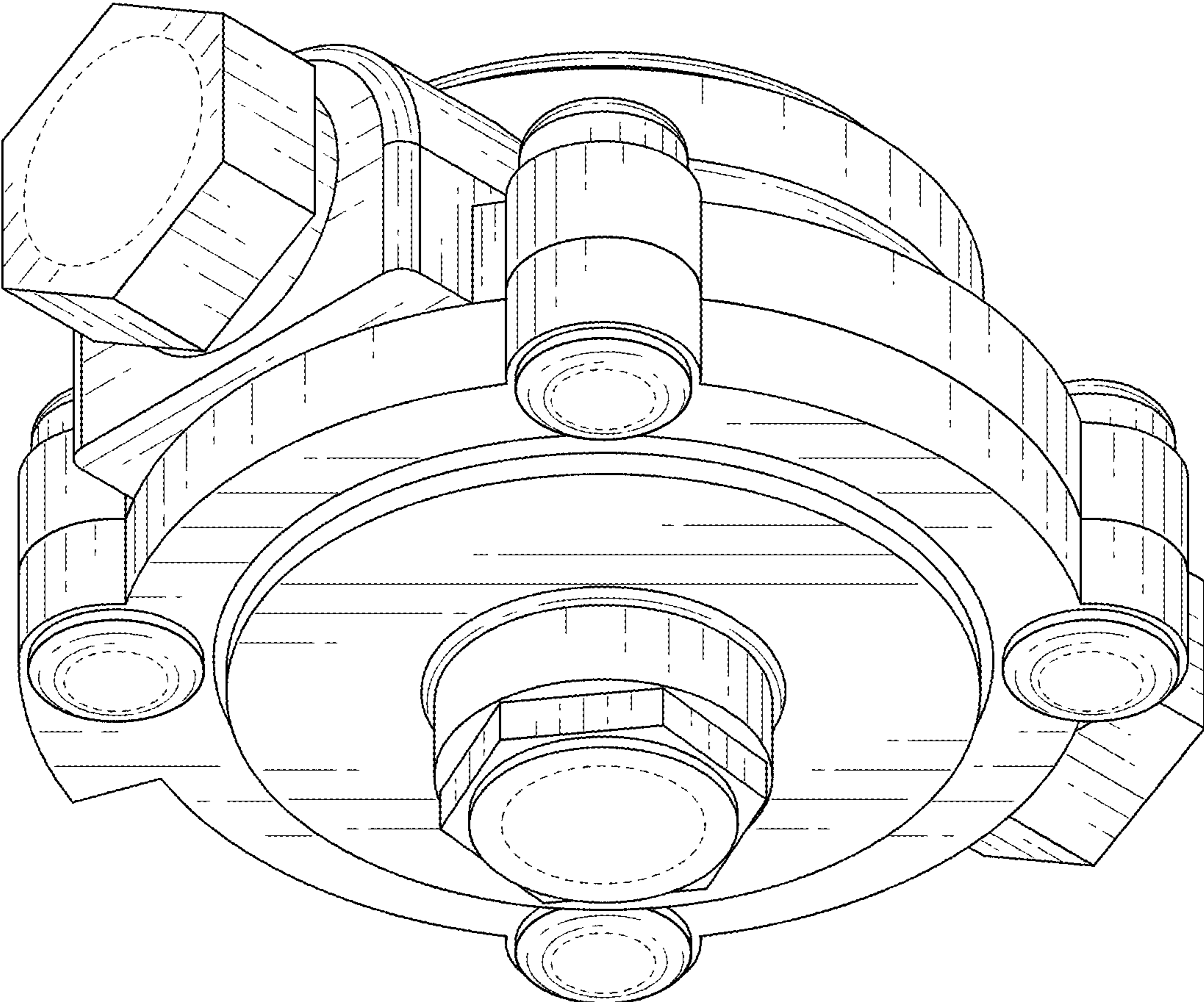


FIG. 2

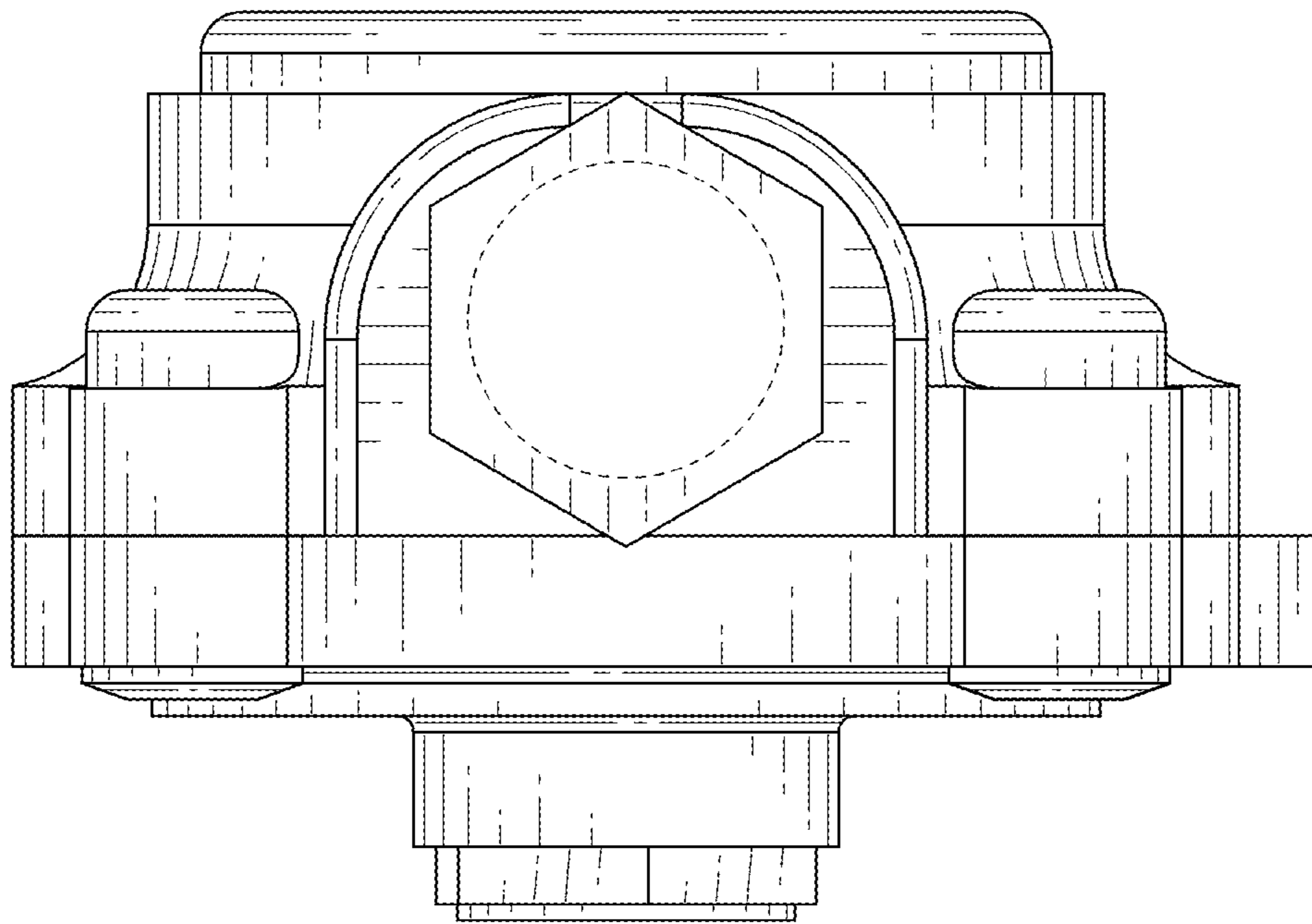


FIG. 3

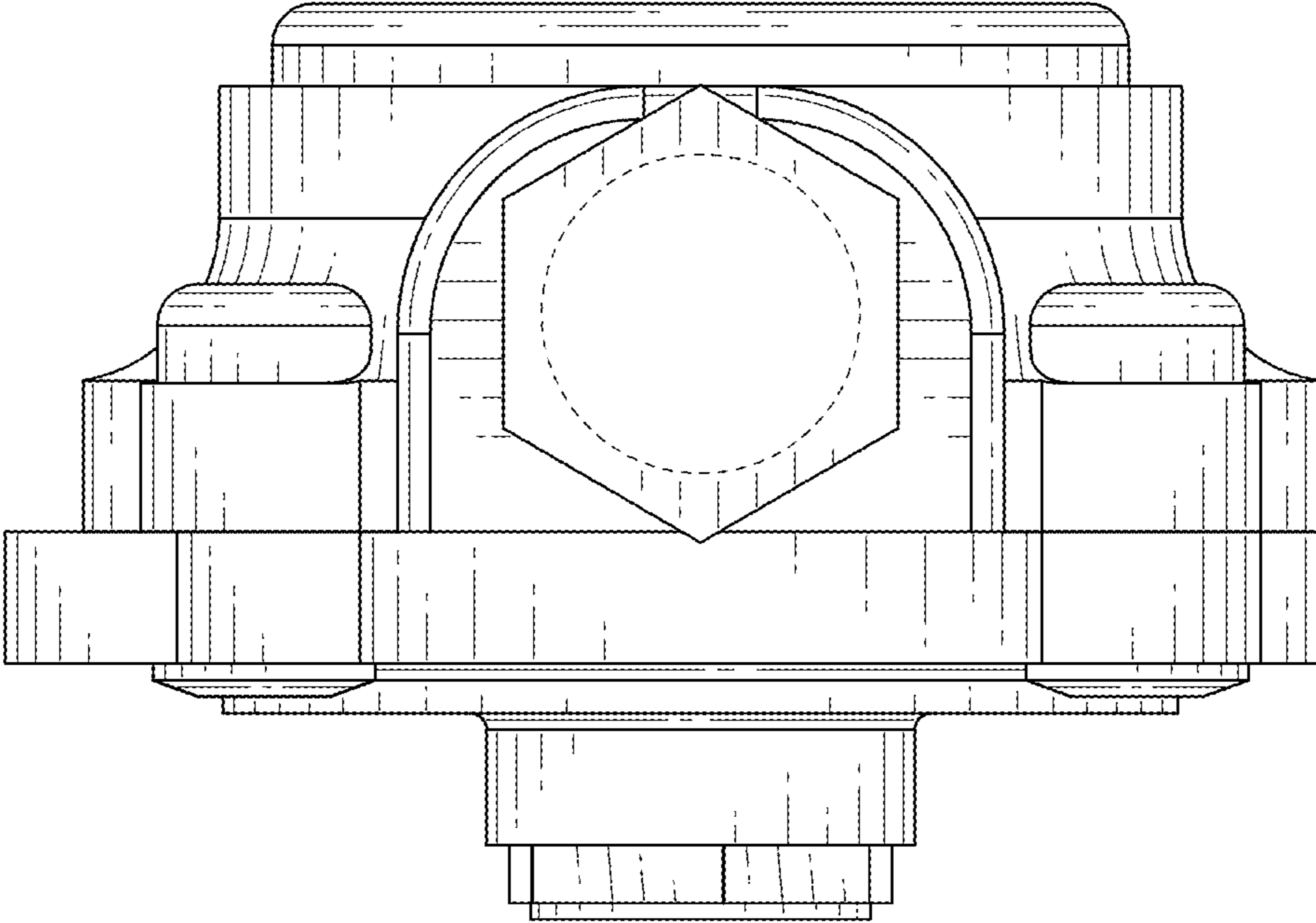


FIG. 4

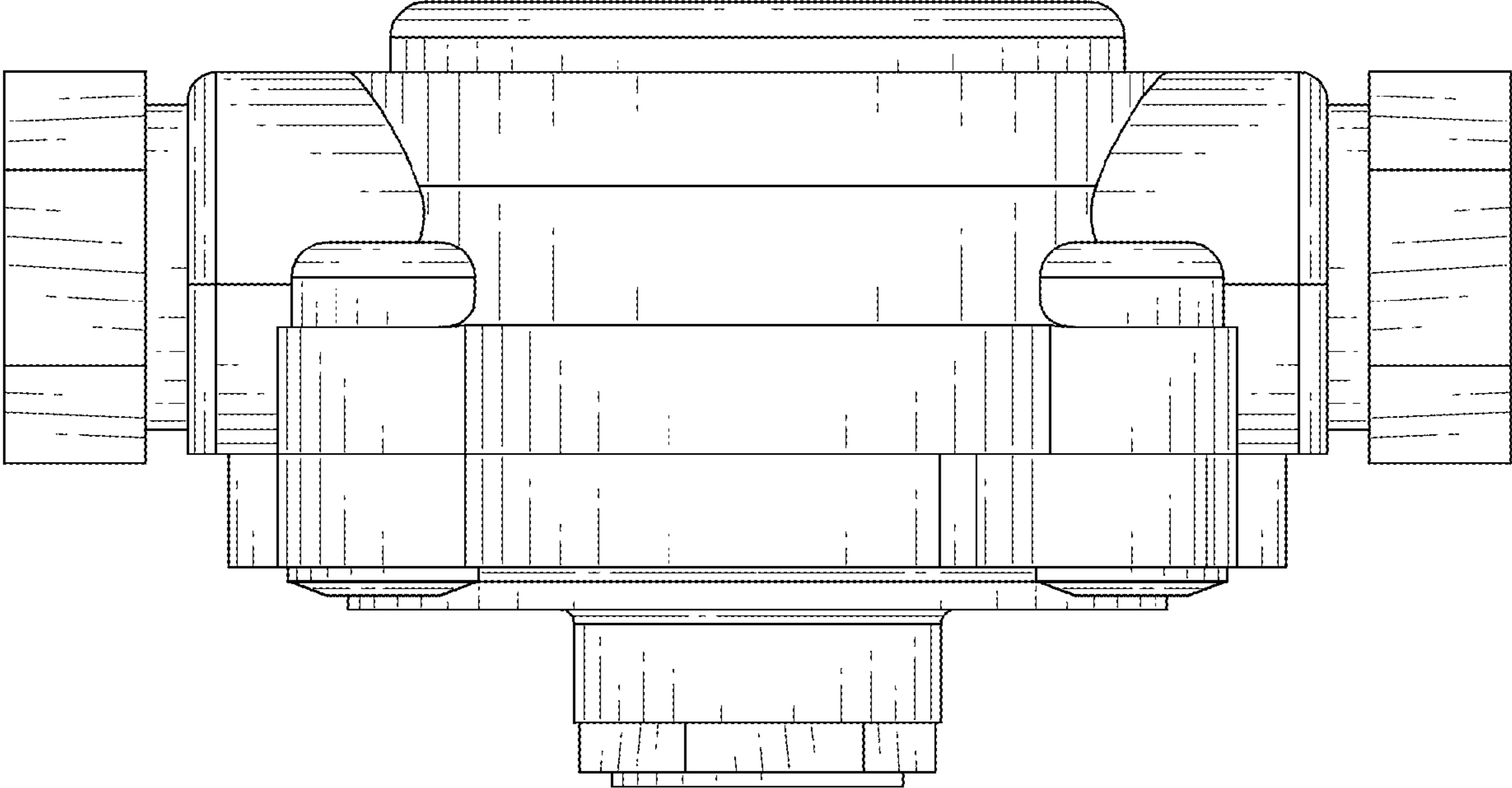


FIG. 5

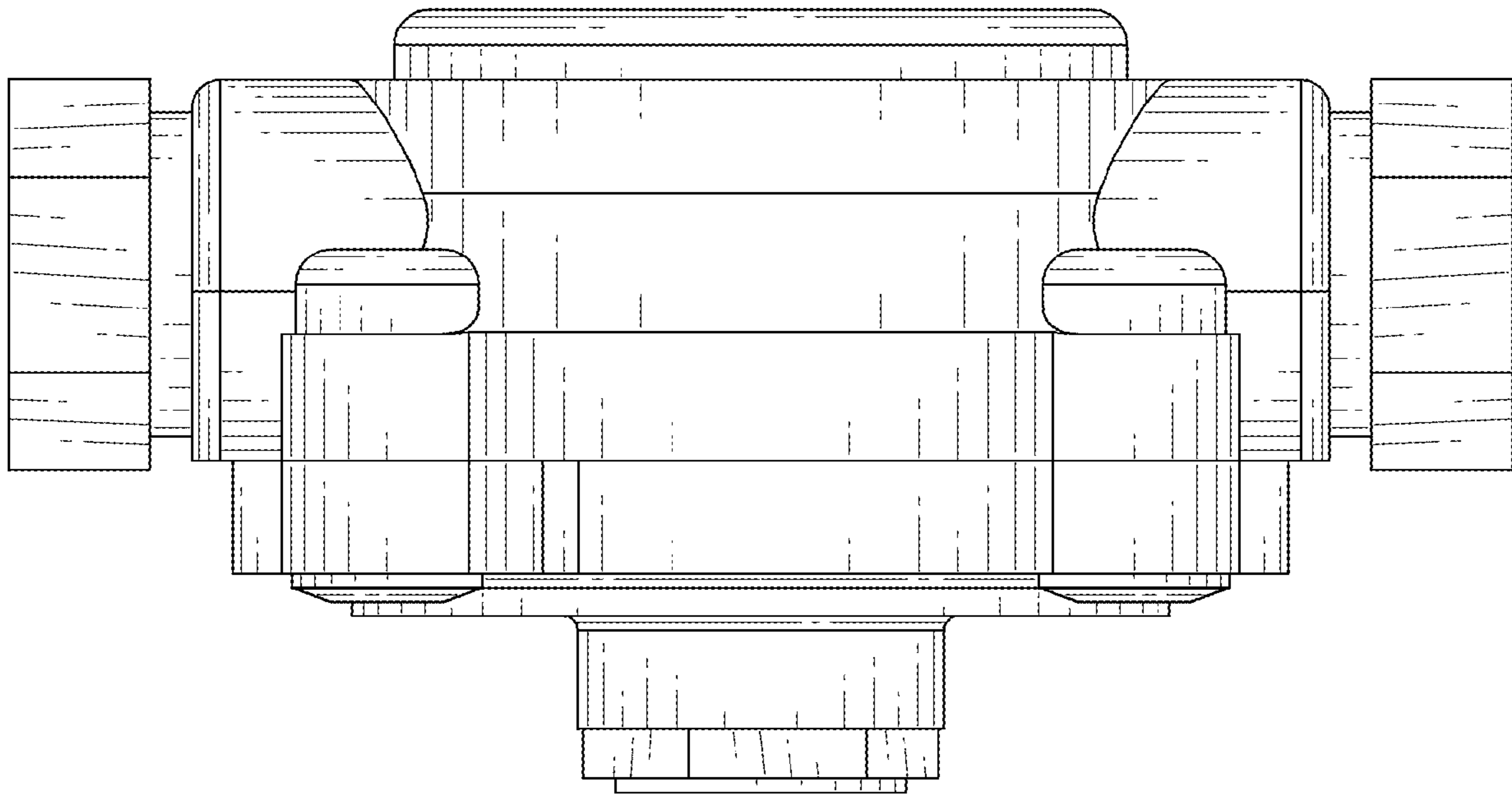


FIG. 6

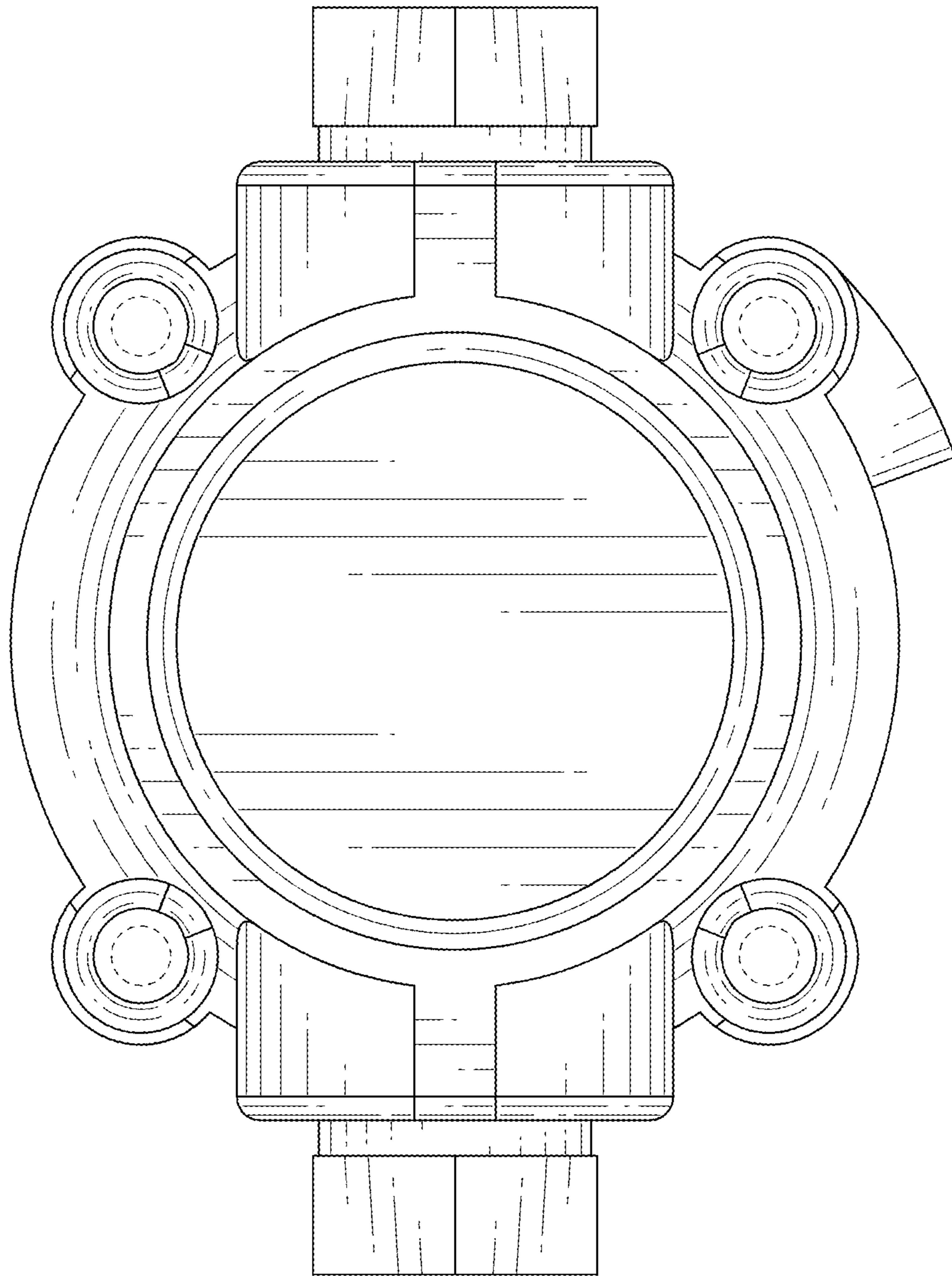


FIG. 7

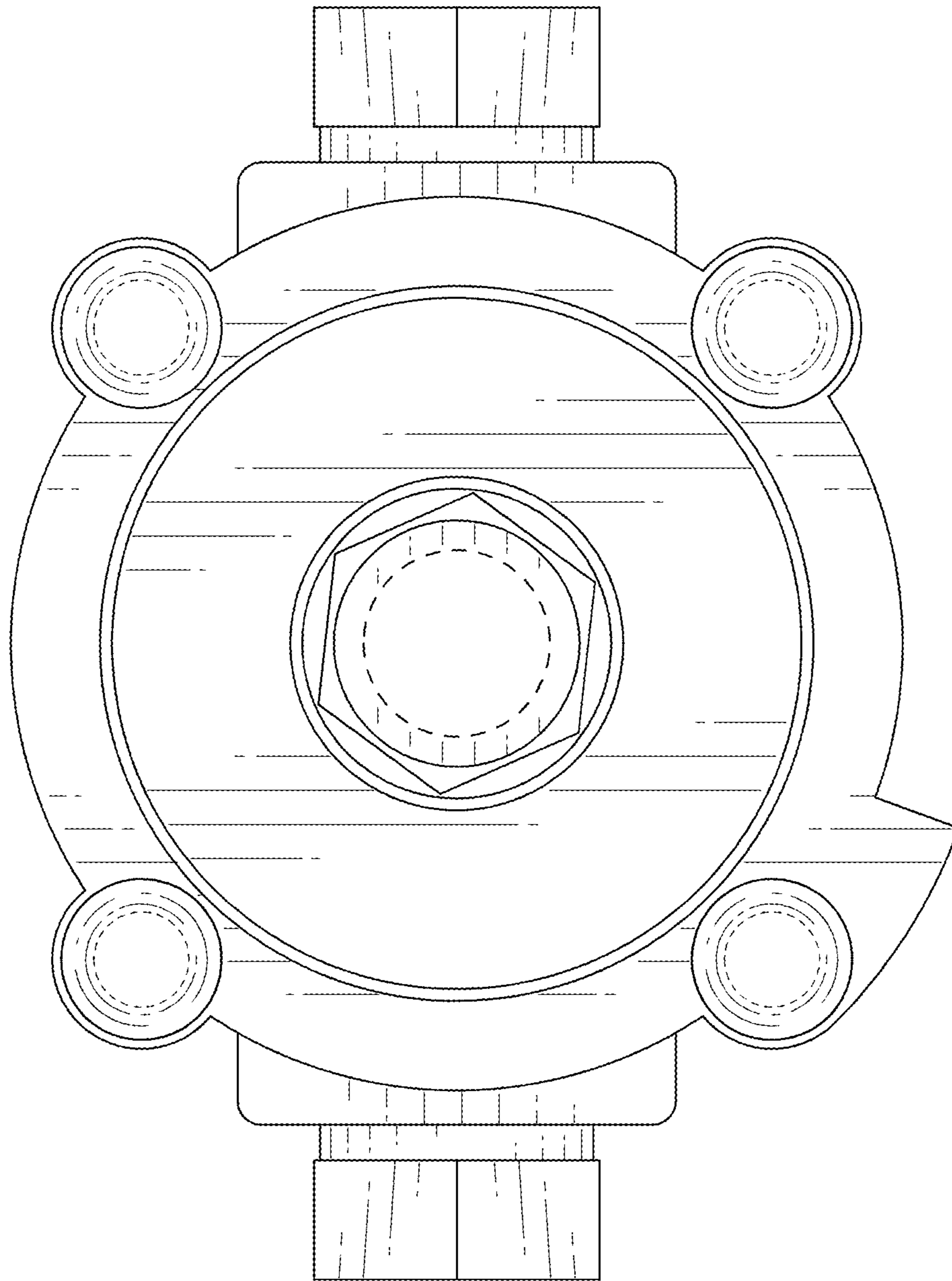


FIG. 8

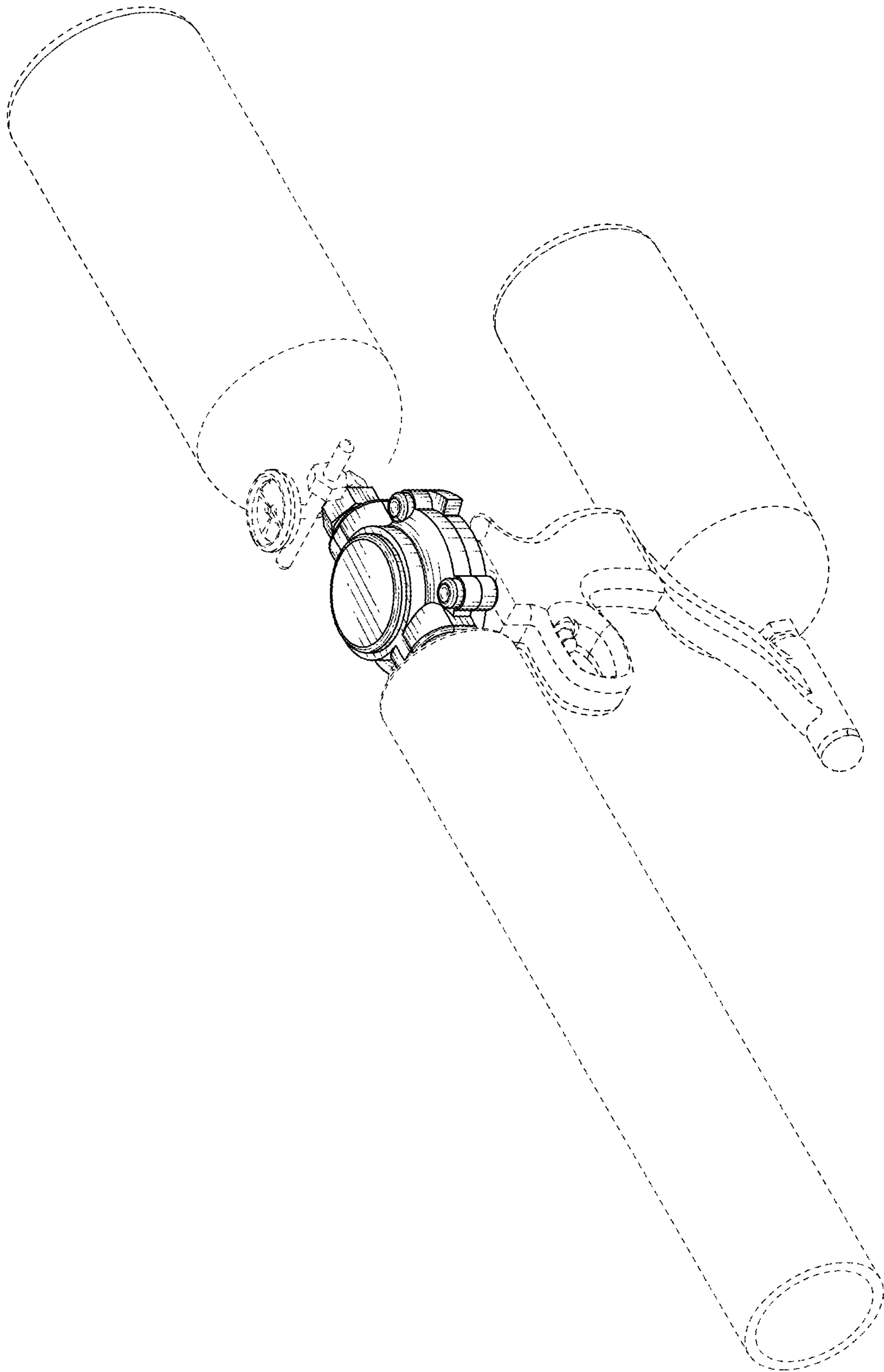


FIG. 9

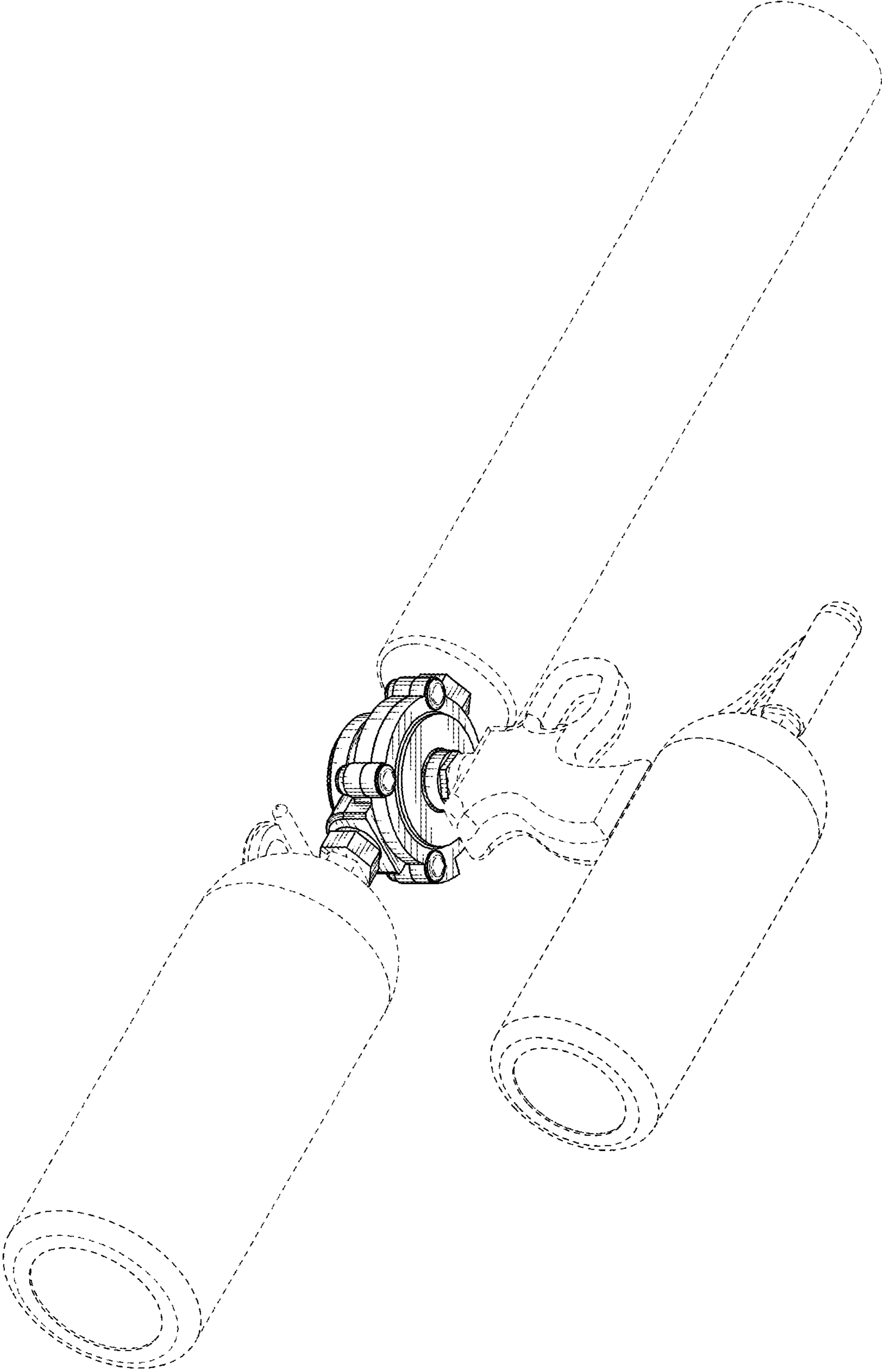


FIG. 10