

US00D946091S

(12) **United States Design Patent**
Li

(10) **Patent No.:** **US D946,091 S**
(45) **Date of Patent:** **** Mar. 15, 2022**

- (54) **TOY WATER GUN**
- (71) Applicant: **Pingxiang Juyuan Culture Communication Co., Ltd., Pingxiang (CN)**
- (72) Inventor: **Jianju Li, Pingxiang (CN)**
- (73) Assignee: **Pingxiang Juyuan Culture Communication Co., Ltd., Pingxiang (CN)**
- (**) Term: **15 Years**
- (21) Appl. No.: **29/772,409**
- (22) Filed: **Mar. 1, 2021**
- (51) **LOC (13) Cl.** **21-01**
- (52) **U.S. Cl.**
USPC **D21/572**
- (58) **Field of Classification Search**
USPC D21/333, 570, 573-575; D14/418; D22/100, 103
CPC F41B 7/00; F41B 7/003; F41B 7/08; F41B 9/00; F41B 9/0078; F41B 9/0081; F41B 11/89; A63H 5/04
See application file for complete search history.

- D639,352 S * 6/2011 Chan D21/572
- D660,920 S * 5/2012 Johnson D21/572
- D660,921 S * 5/2012 Johnson D21/572
- D855,121 S 7/2019 Kim
- D883,401 S 5/2020 Yang
- D903,789 S 12/2020 Zheng

* cited by examiner

Primary Examiner — Cynthia M. Chin
(74) *Attorney, Agent, or Firm* — True Shepherd LLC; Andrew C. Cheng

(57) **CLAIM**

The ornamental design for toy water gun, as shown and described.

DESCRIPTION

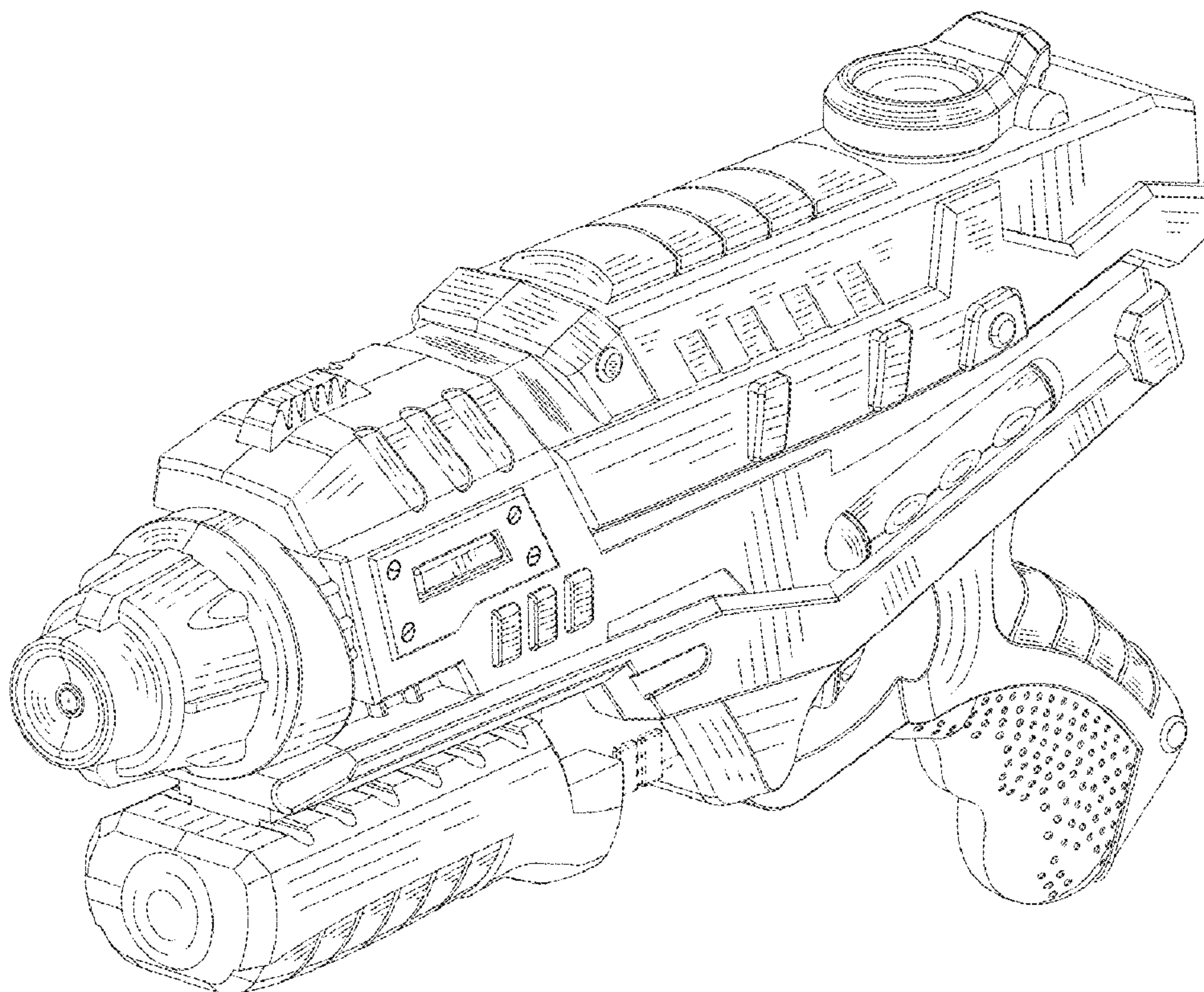
FIG. 1 is a perspective view of a toy water gun showing my new design;
FIG. 2 is a front view thereof;
FIG. 3 is a rear view thereof;
FIG. 4 is a left side view thereof;
FIG. 5 is a right side view thereof;
FIG. 6 is a top plan view thereof;
FIG. 7 is a bottom plan view thereof; and,
FIG. 8 is a perspective view thereof in an use state.
The broken lines depict portions of the toy water gun and form no part of the claimed design.

(56) **References Cited**

U.S. PATENT DOCUMENTS

- D354,997 S * 1/1995 Arad D21/574
- D557,355 S * 12/2007 Higuchi D21/572

1 Claim, 8 Drawing Sheets



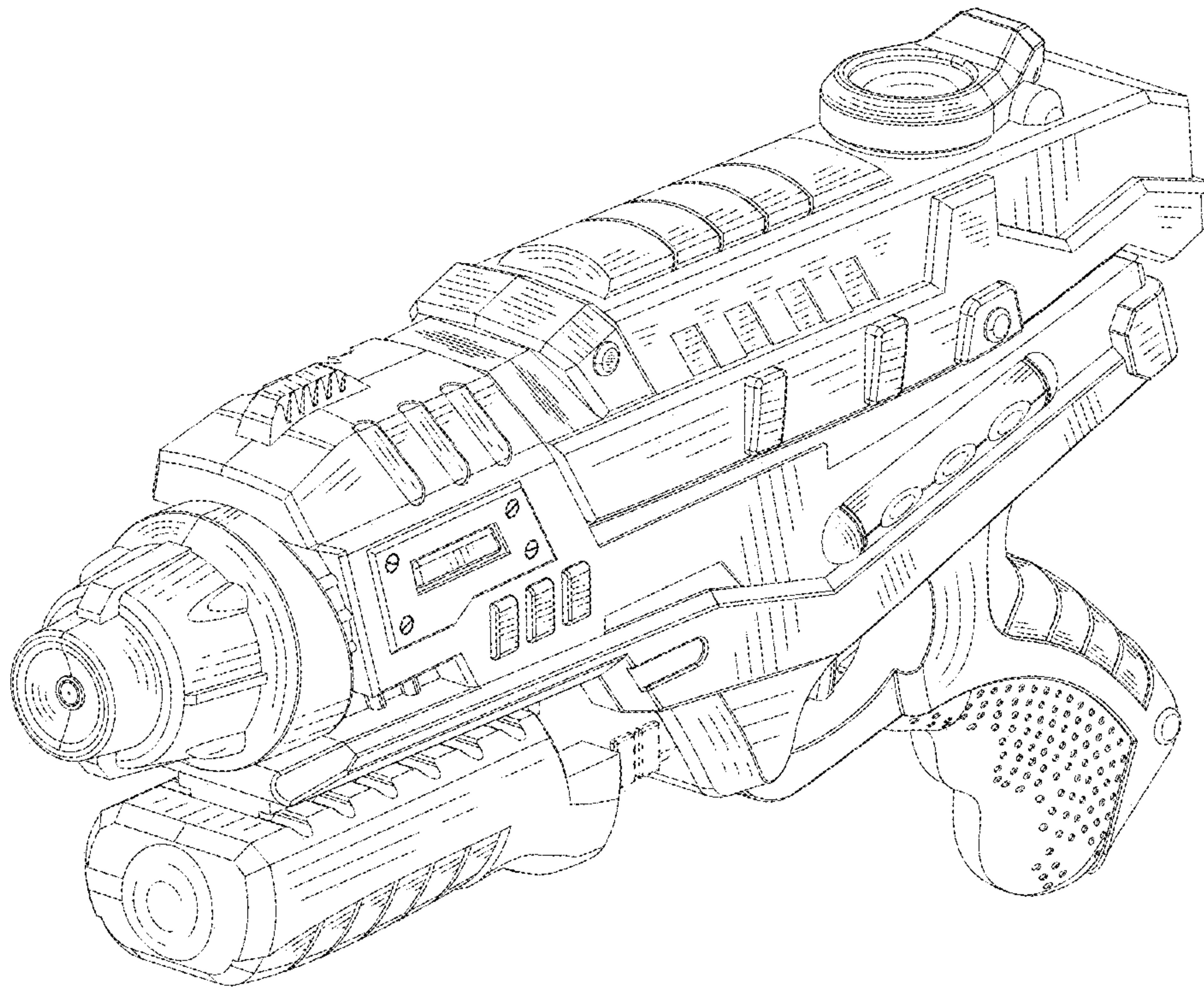


FIG. 1

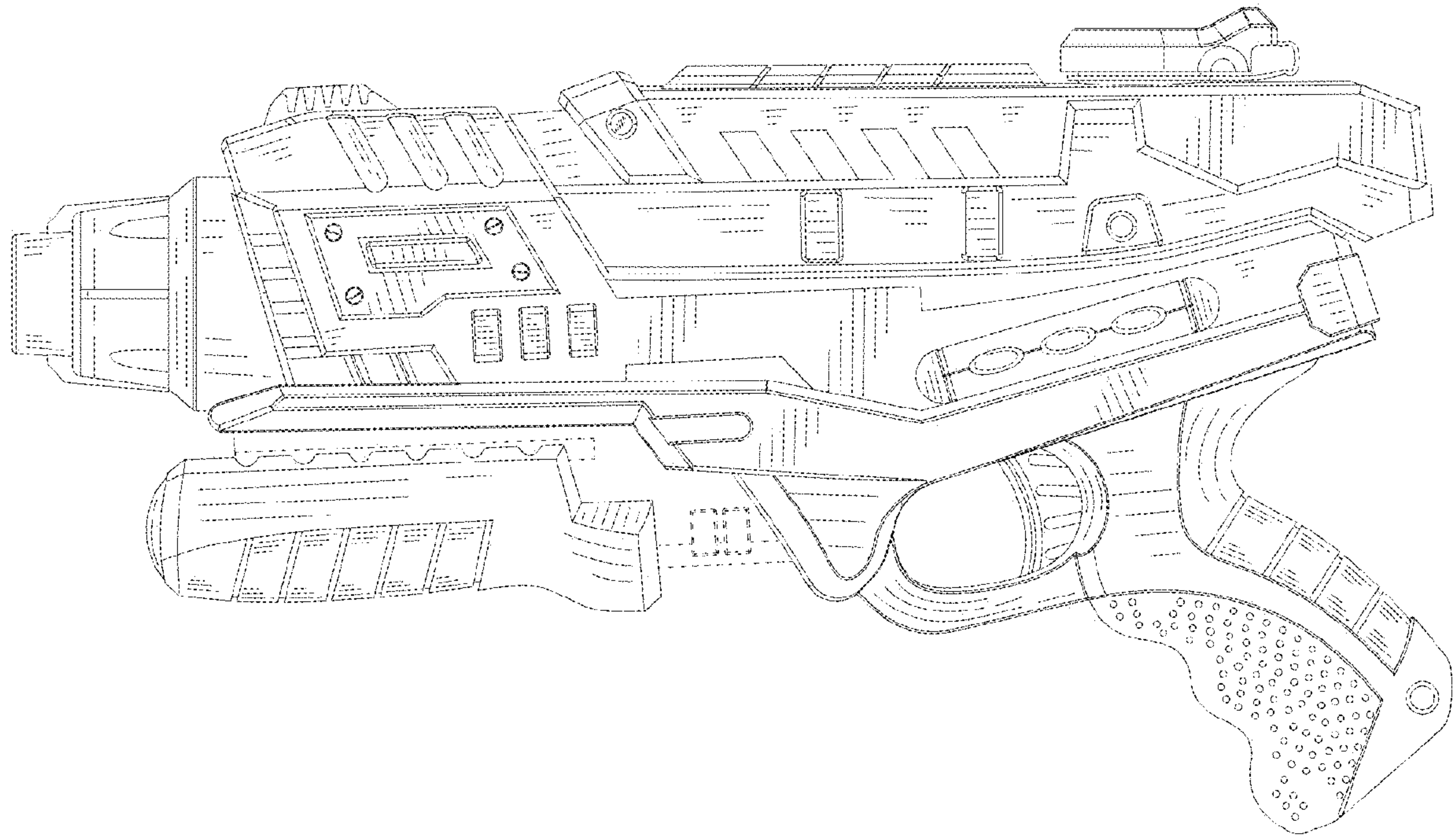


FIG. 2

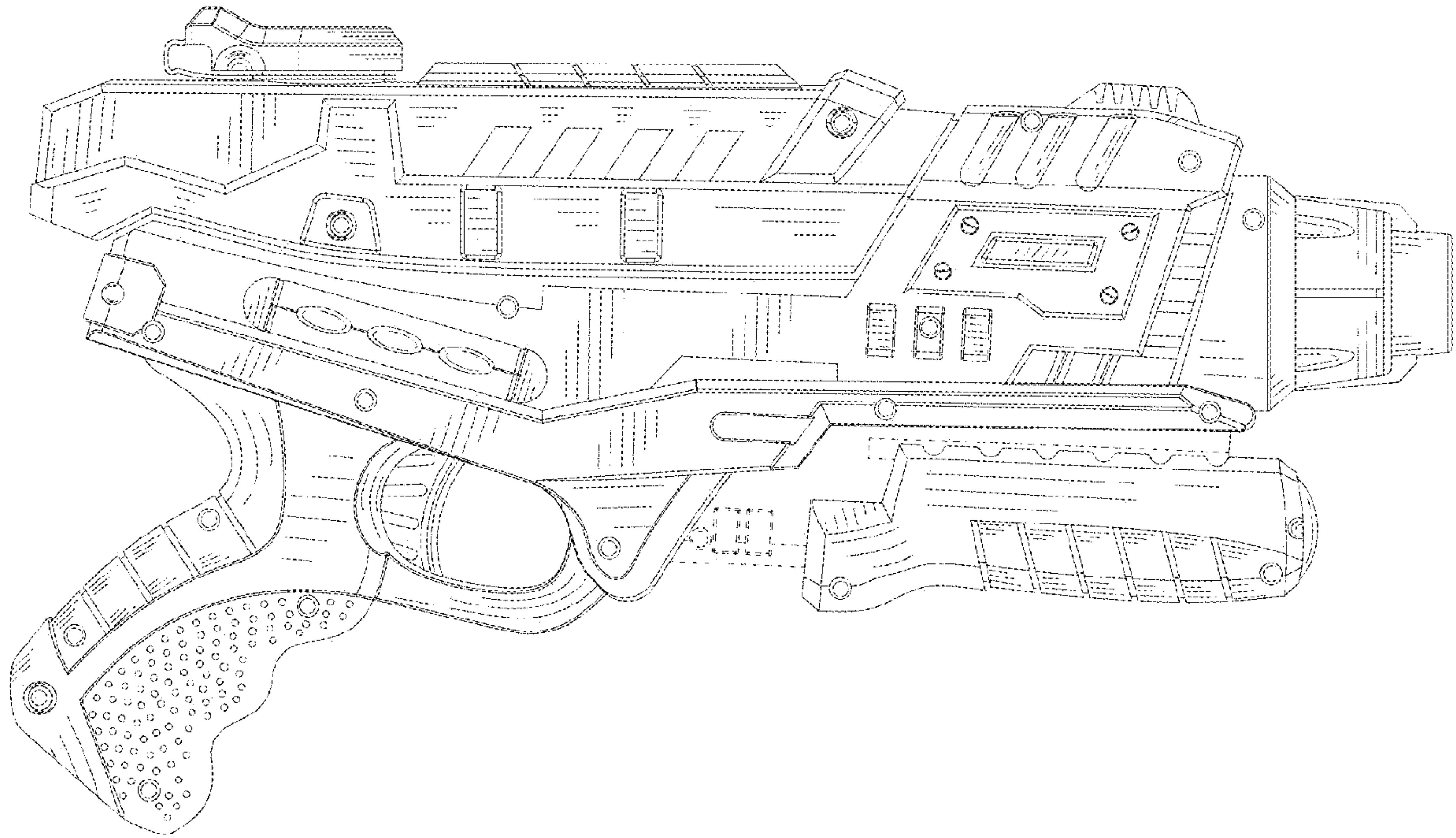


FIG. 3

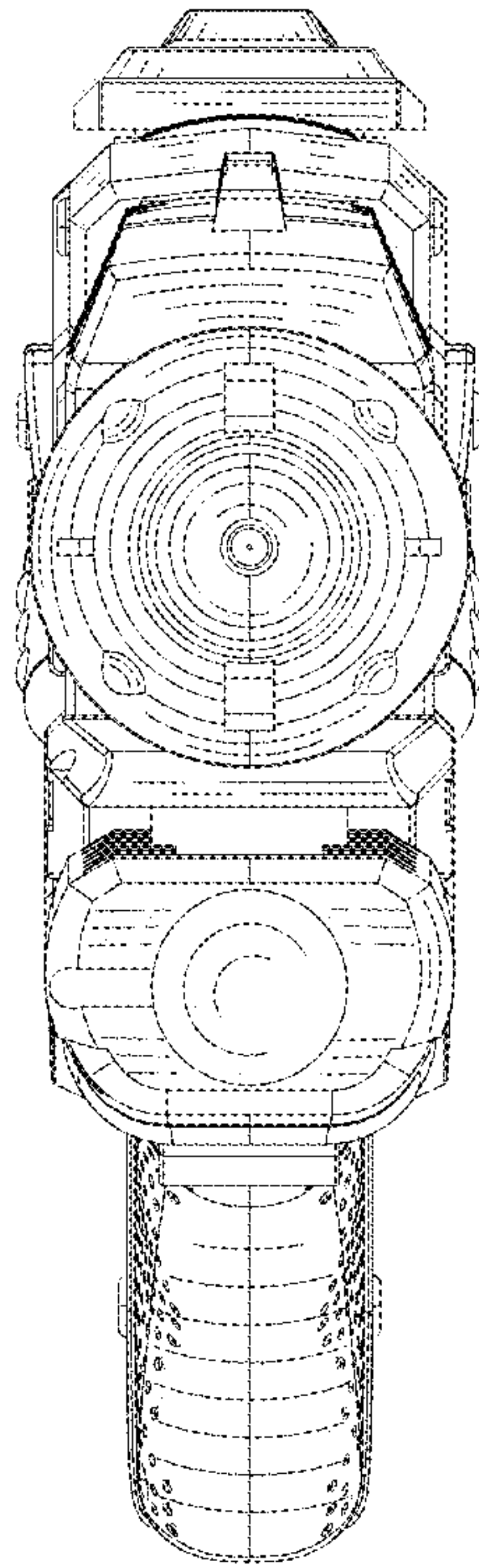


FIG. 4

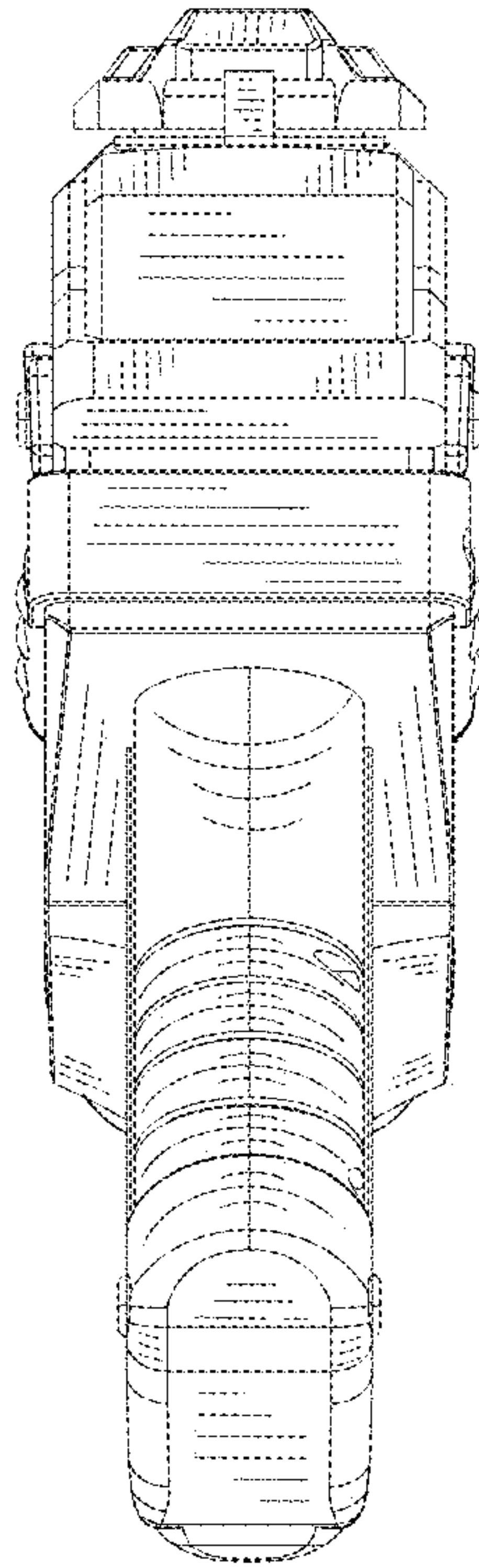


FIG. 5

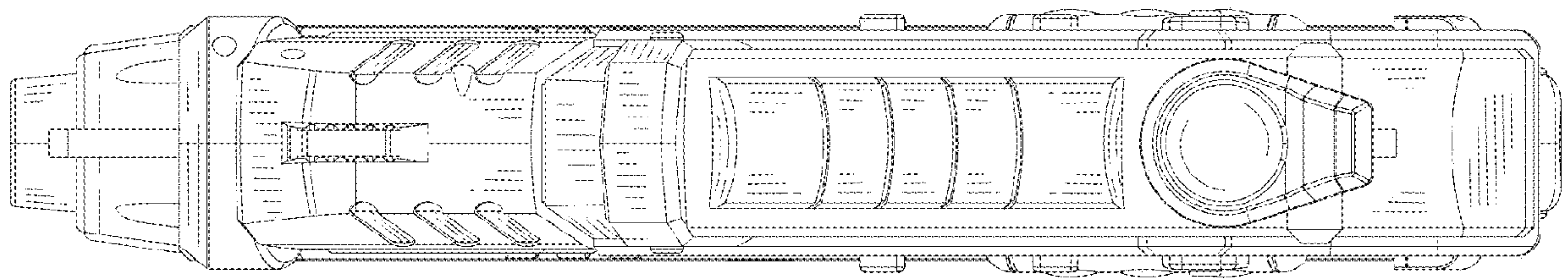


FIG. 6

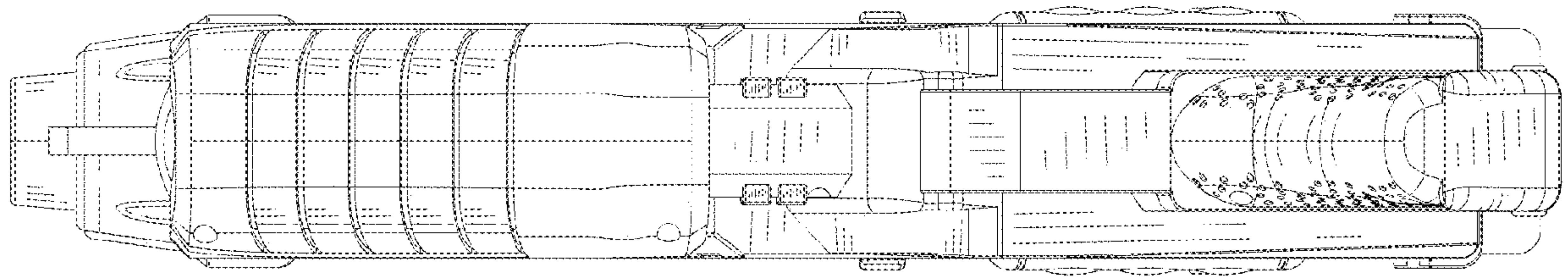


FIG. 7

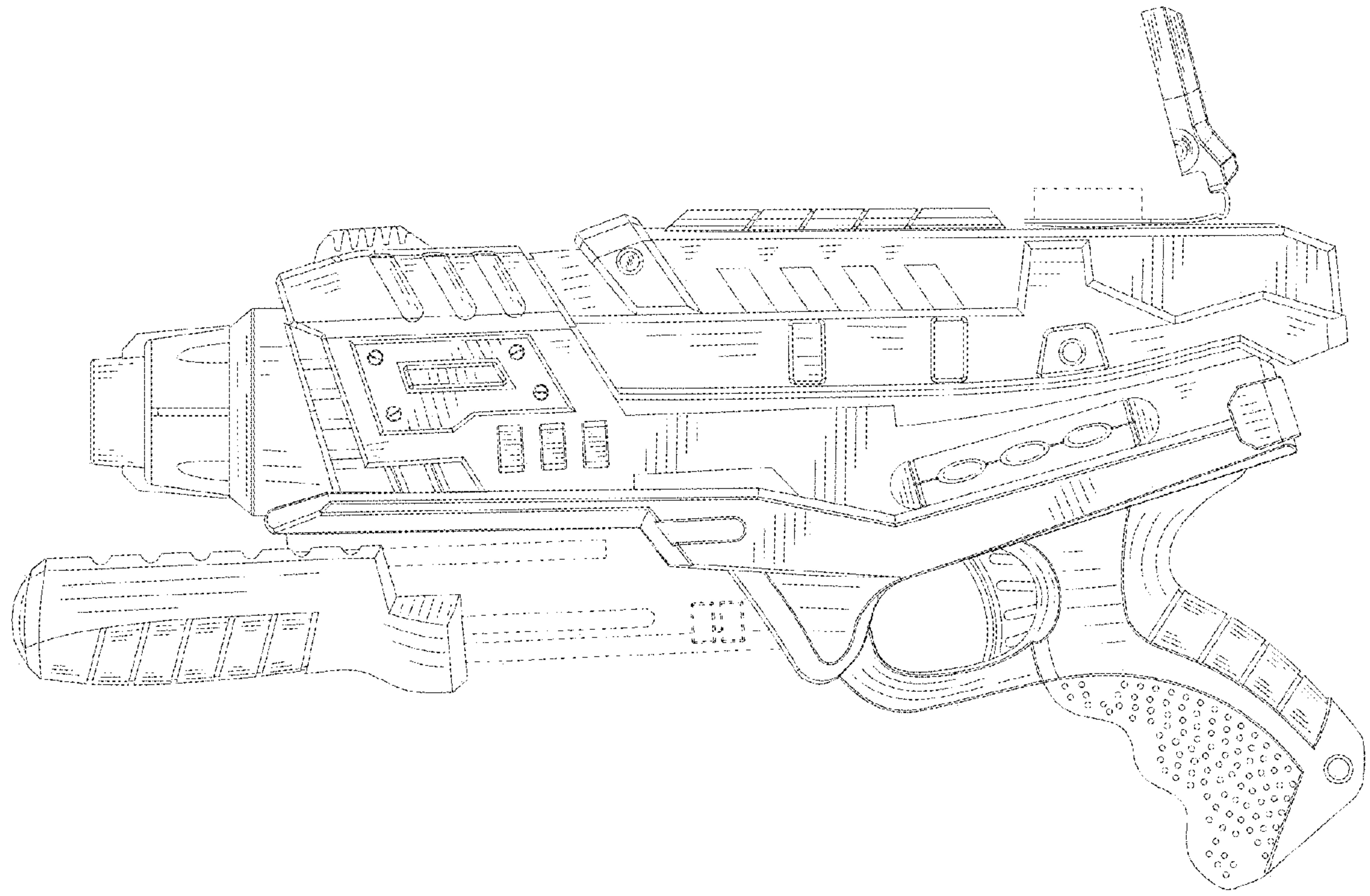


FIG. 8