



US00D946090S

(12) **United States Design Patent**
Wang

(10) **Patent No.:** **US D946,090 S**
(45) **Date of Patent:** **** Mar. 15, 2022**

- (54) **TOY BOW**
- (71) Applicant: **Chunliu Wang**, Shenzhen (CN)
- (72) Inventor: **Chunliu Wang**, Shenzhen (CN)
- (**) Term: **15 Years**
- (21) Appl. No.: **29/783,891**
- (22) Filed: **May 17, 2021**
- (51) **LOC (13) Cl.** **21-01**
- (52) **U.S. Cl.**
USPC **D21/571**
- (58) **Field of Classification Search**
USPC D21/571; D22/107
CPC F41B 5/00; F41B 5/0094; F41B 11/641;
F41B 11/80; F41B 11/89; A63H 27/00;
A63H 27/005
See application file for complete search history.

- D710,475 S * 8/2014 Box D22/108
- D738,440 S 9/2015 Cummings
- D738,441 S * 9/2015 Cummings D21/571
- D791,248 S 7/2017 Cummings
- 10,928,154 B1 * 2/2021 Kam F41B 11/646

* cited by examiner

Primary Examiner — Cynthia M. Chin

(57) **CLAIM**

The ornamental design for a toy bow, as shown and described.

DESCRIPTION

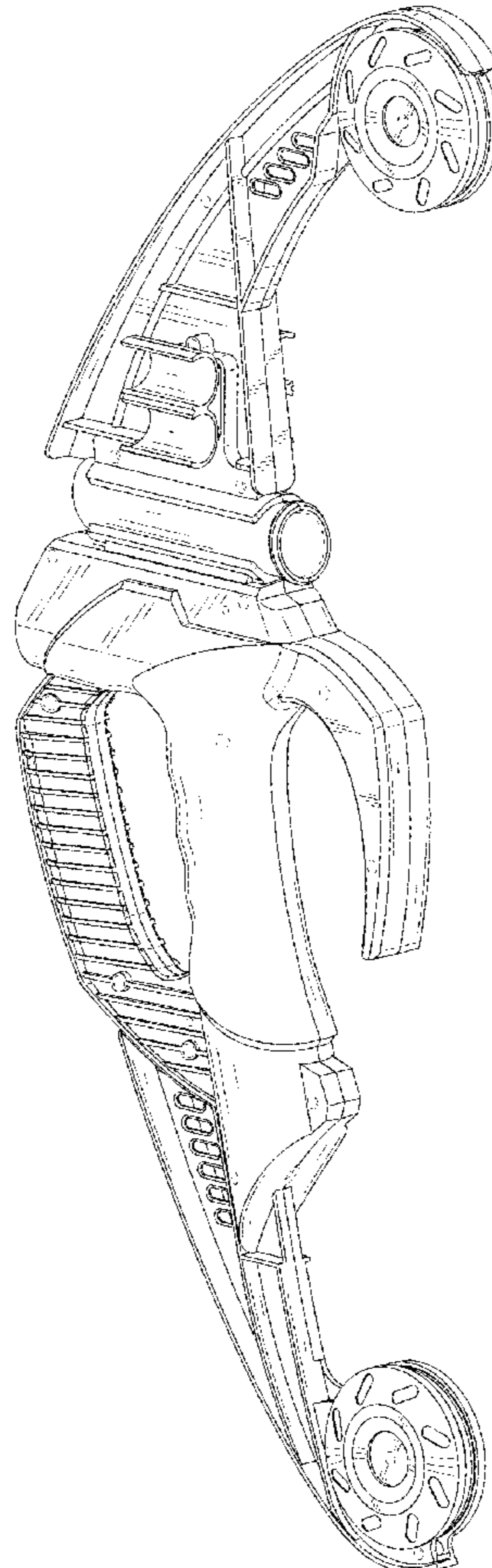
FIG. 1 is a perspective view of a toy bow showing my new design;
 FIG. 2 is another perspective view thereof;
 FIG. 3 is a front elevational view thereof;
 FIG. 4 is a rear elevational view thereof;
 FIG. 5 is a left side elevational view thereof;
 FIG. 6 is a right side elevational view thereof;
 FIG. 7 is a top plan view thereof; and,
 FIG. 8 is a bottom plan view thereof.
 The broken lines in the drawings depict portions of the toy bow that form no part of the claimed design.

(56) **References Cited**

U.S. PATENT DOCUMENTS

- D337,796 S * 7/1993 Sutyak D21/571
- 6,997,770 B2 * 2/2006 Lapointe F41B 11/00
124/66

1 Claim, 8 Drawing Sheets



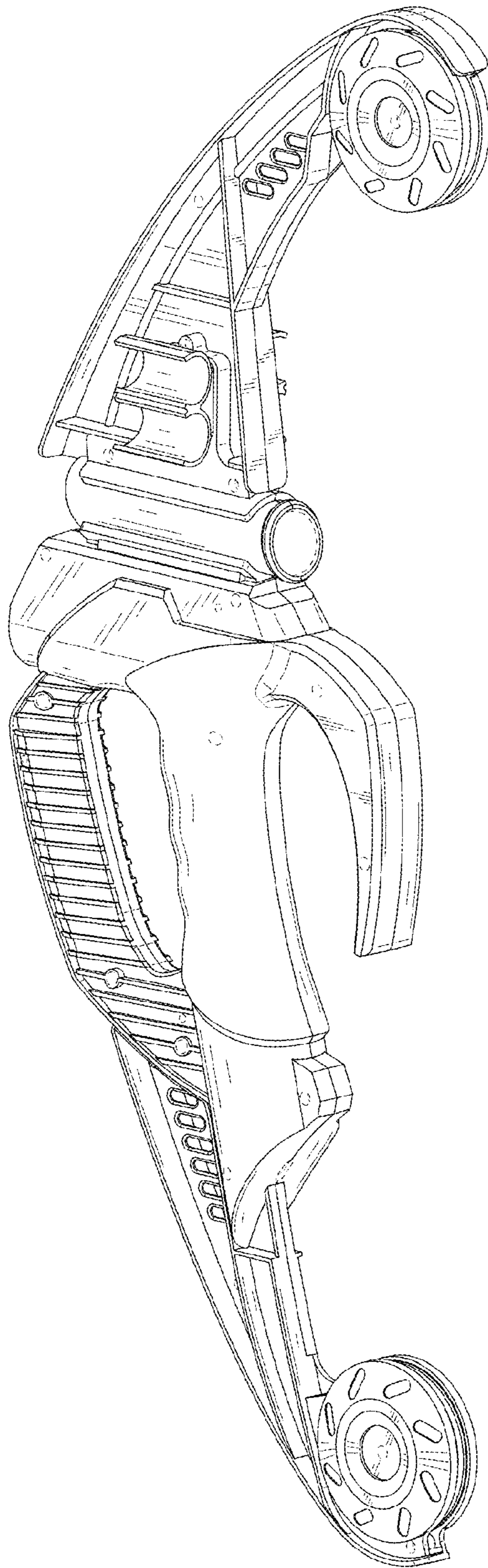


FIG. 1

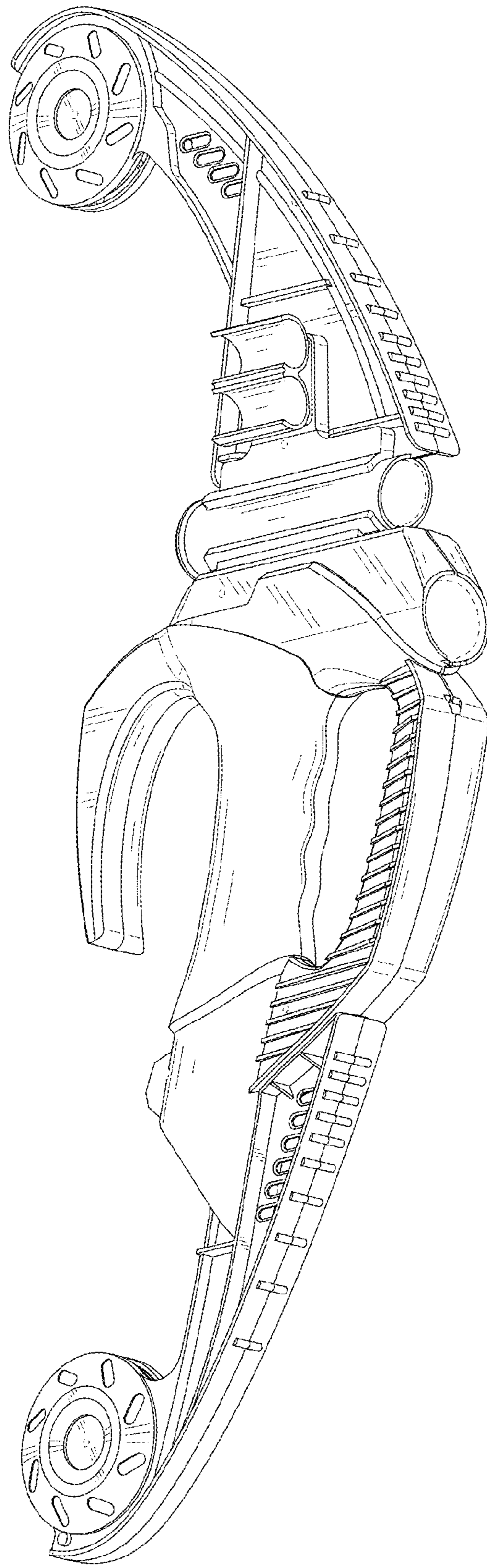


FIG. 2

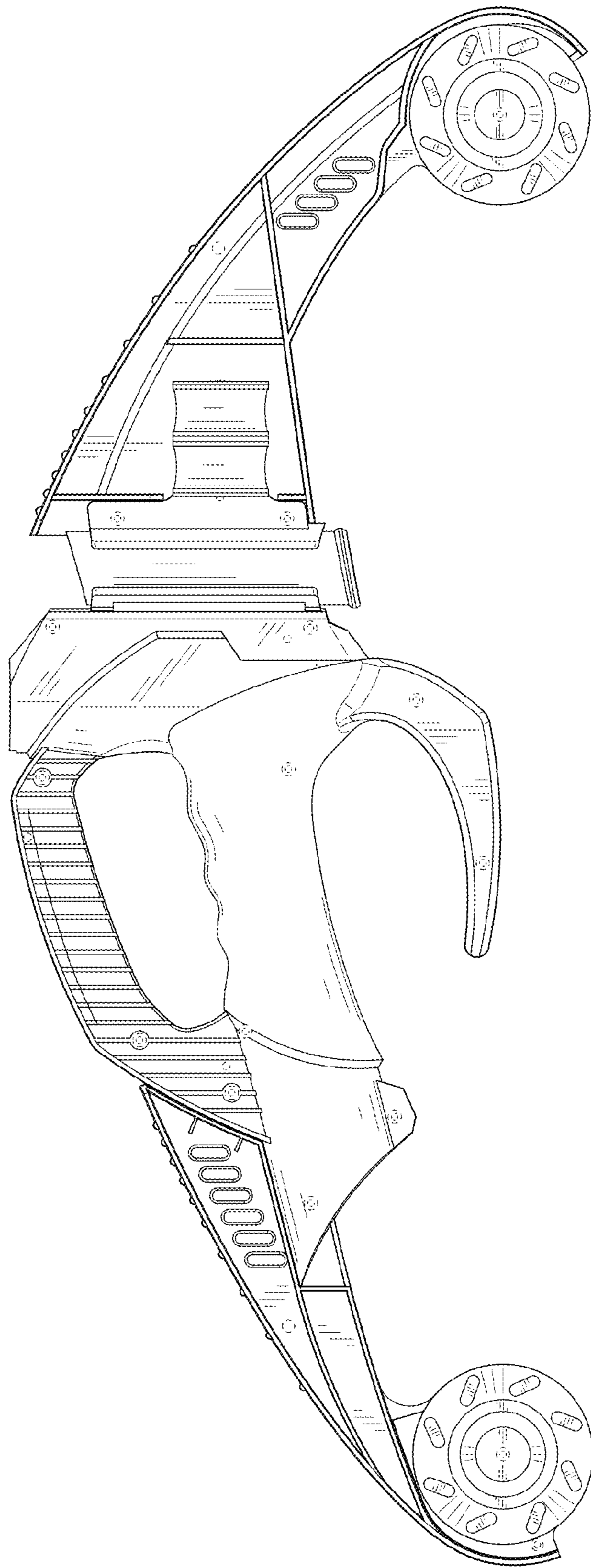


FIG. 3

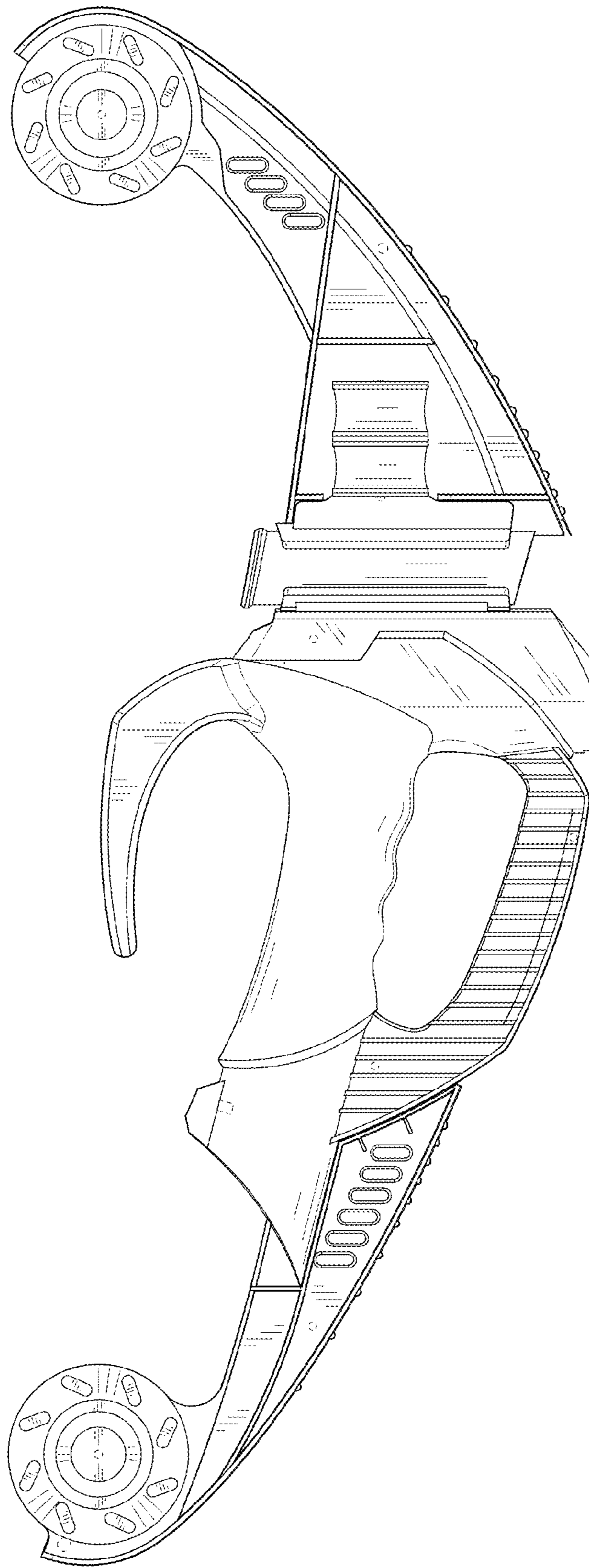


FIG. 4

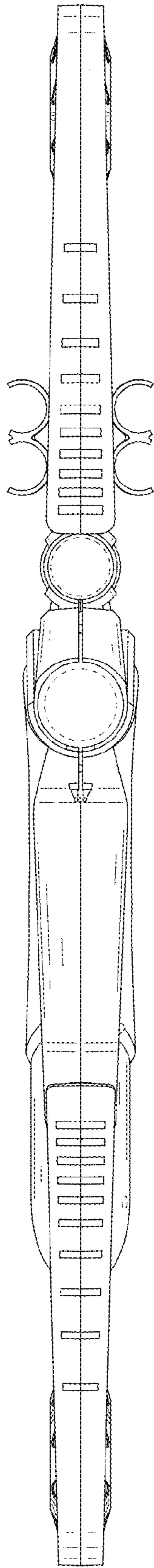


FIG. 5

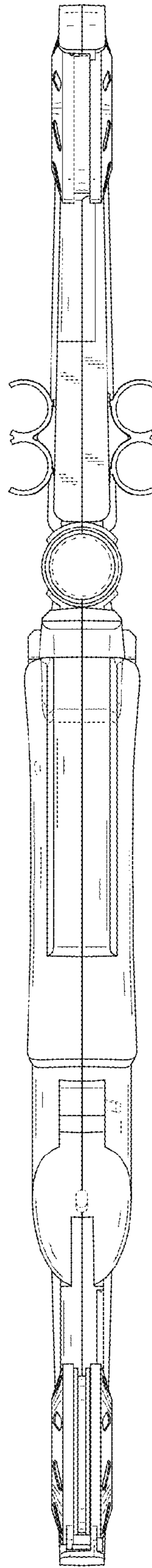


FIG. 6

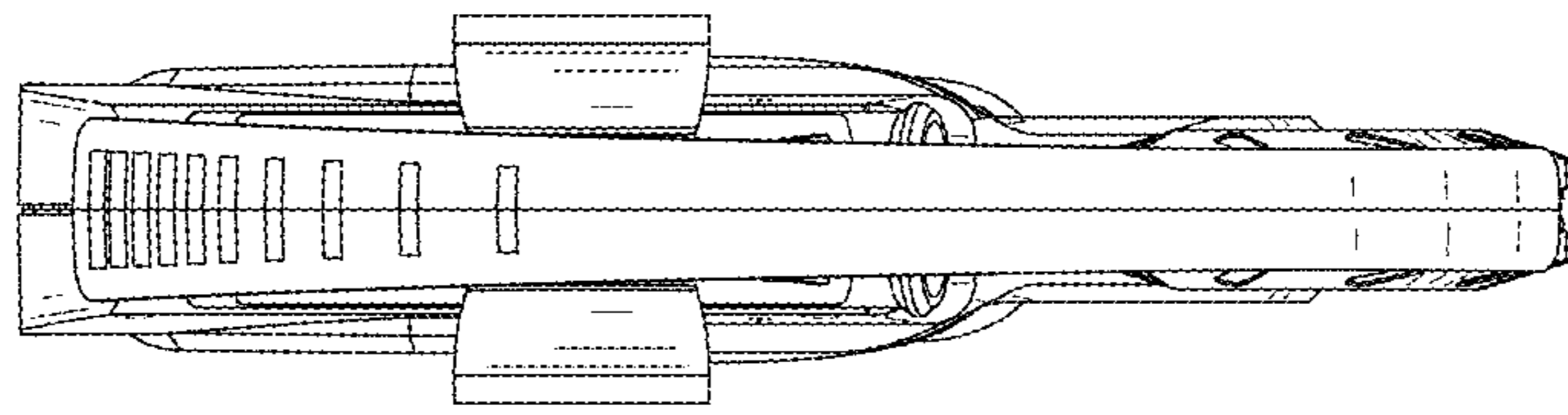


FIG. 7

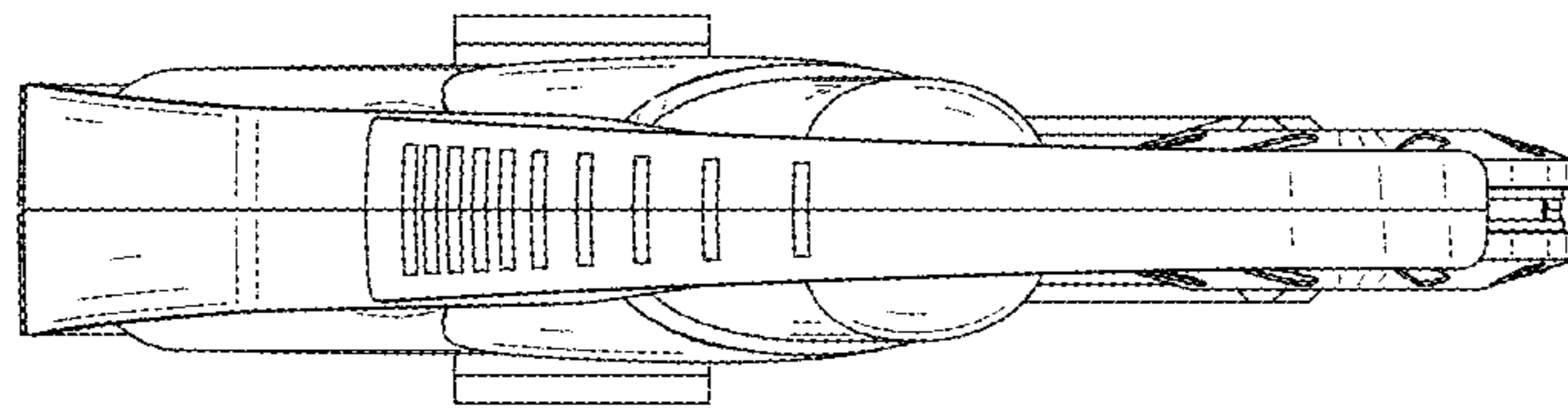


FIG. 8