



US00D946089S

(12) **United States Design Patent**
Park et al.

(10) **Patent No.:** **US D946,089 S**
(45) **Date of Patent:** **** Mar. 15, 2022**

(54) **TOY BLOCK**
(71) Applicant: **GYMWORLD INC.**, Seoul (KR)
(72) Inventors: **Kee Young Park**, Seoul (KR); **Chang Moon Lee**, Gwangmyeong-si (KR); **So Lee Kang**, Seoul (KR); **Jo Un Yi**, Seoul (KR); **Yeong Du Jeon**, Gimpo-si (KR)

D343,433 S * 1/1994 Crosson D21/682
D512,748 S * 12/2005 Hageman D21/503
D526,369 S * 8/2006 Van Straaten D21/662
D651,369 S * 12/2011 Seliskar D30/160
D731,011 S * 6/2015 Buchanan D21/682
D779,600 S * 2/2017 Dean D21/686
D823,097 S * 7/2018 Goskowski D8/367
D872,199 S * 1/2020 Krishock D21/686
D877,825 S * 3/2020 Hodes D21/682
D910,248 S * 2/2021 Luk D30/160

(Continued)

(73) Assignee: **GYMWORLD INC.**, Seoul (KR)

(**) Term: **15 Years**

(21) Appl. No.: **29/746,103**

(22) Filed: **Aug. 11, 2020**

(30) **Foreign Application Priority Data**

Jul. 16, 2020 (KR) 30-2020-0032942

(51) **LOC (13) Cl.** **21-01**

(52) **U.S. Cl.**
USPC **D21/502**

(58) **Field of Classification Search**
USPC D30/160; D21/362, 408, 441, 443, 444, D21/455, 456, 457, 461, 466, 468, 487, D21/488, 492, 503, 681, 682, 684, 691, D21/473, 803, 381, 484, 400; D12/316; D7/608; 411/10, 12; 156/95, 118, 110.1; D11/40, 86, 93, 7, 8, 43, 79; D23/269; D8/399

CPC A01K 15/024-025; A63B 21/0608; A63H 33/00; A44C 7/00; Y10T 24/4764

See application file for complete search history.

(56) **References Cited**

U.S. PATENT DOCUMENTS

D273,030 S * 3/1984 Anderson D21/682
D315,376 S * 3/1991 Meyer D21/502
D340,759 S * 10/1993 Miller D21/680

OTHER PUBLICATIONS

Munchkin 36 Bath Letters and Numbers, available on Amazon.com, date first available Jan. 18, 2006, [site visited Oct. 29/12021], available URL: <https://www.amazon.com/Munchkin-Letters-Numbers-Bath-Count/dp/B000V98HCI/> (Year: 2006).*

(Continued)

Primary Examiner — Amy C Wierenga

Assistant Examiner — Emily Anna Saunders

(74) *Attorney, Agent, or Firm* — Studebaker & Brackett PC

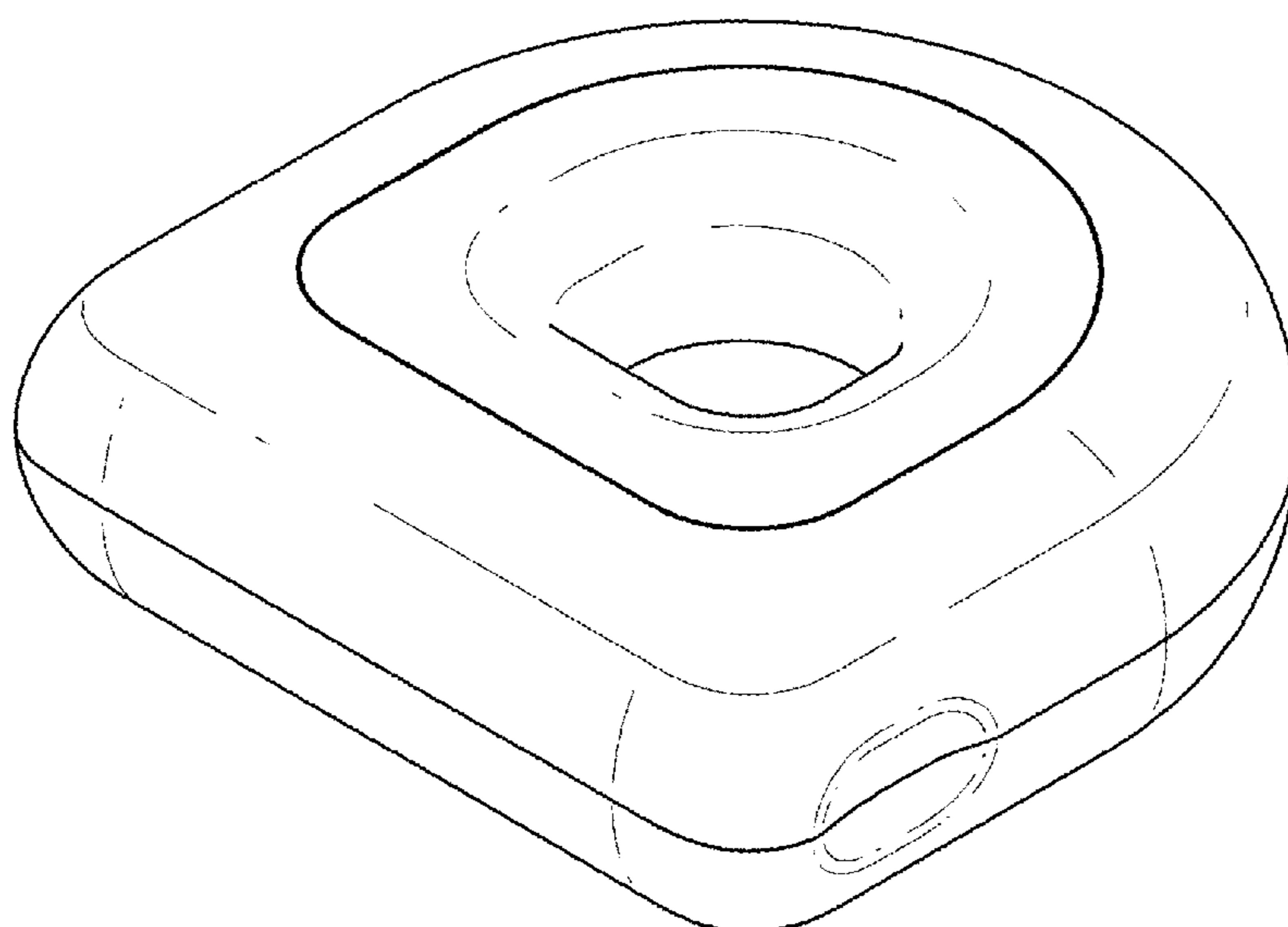
(57) **CLAIM**

The ornamental design for a toy block, as shown and described.

DESCRIPTION

FIG. 1 is a perspective view illustrating the overall shape of a toy block, showing our new design;
FIG. 2 is a bottom perspective view of the overall shape of the subject design;
FIG. 3 illustrates a front part of the design;
FIG. 4 illustrates a rear part of the design;
FIG. 5 illustrates a left part of the design;
FIG. 6 illustrates a right part of the design;
FIG. 7 illustrates a top part of the design; and,
FIG. 8 illustrates a bottom part of the design.

1 Claim, 6 Drawing Sheets



(56)

References Cited

U.S. PATENT DOCUMENTS

D915,539 S * 4/2021 Zhang D21/803

OTHER PUBLICATIONS

Balloon Letter D, available on pixelsquid.com, [site visited Oct. 29, 2021], available URL: <https://www.pixelsquid.com/png/balloon-letter-d-2530502133967492296?image=H16> (Year: 2021).*

40 inch Letter D Foil Balloon, available on Amazon.com, date first available: Jun. 13, 2019, [site visited on Oct. 29, 2021], available URL: <https://www.amazon.com/Balloons-Alphabet-Birthday-Decoration-Supplies/dp/B07SZB7GKZ/> (Year: 2019).*

FunBlast Wooden Capital Alphabet Puzzle, available on Amazon.in, date first available Oct. 13, 2018, [site visited Oct. 29, 2021], available URL: <https://www.amazon.in/FunBlast-Alphabet-Children-Montessori-Educational/dp/B07WYZDGWB> (Year: 2018).*

* cited by examiner

FIG. 1

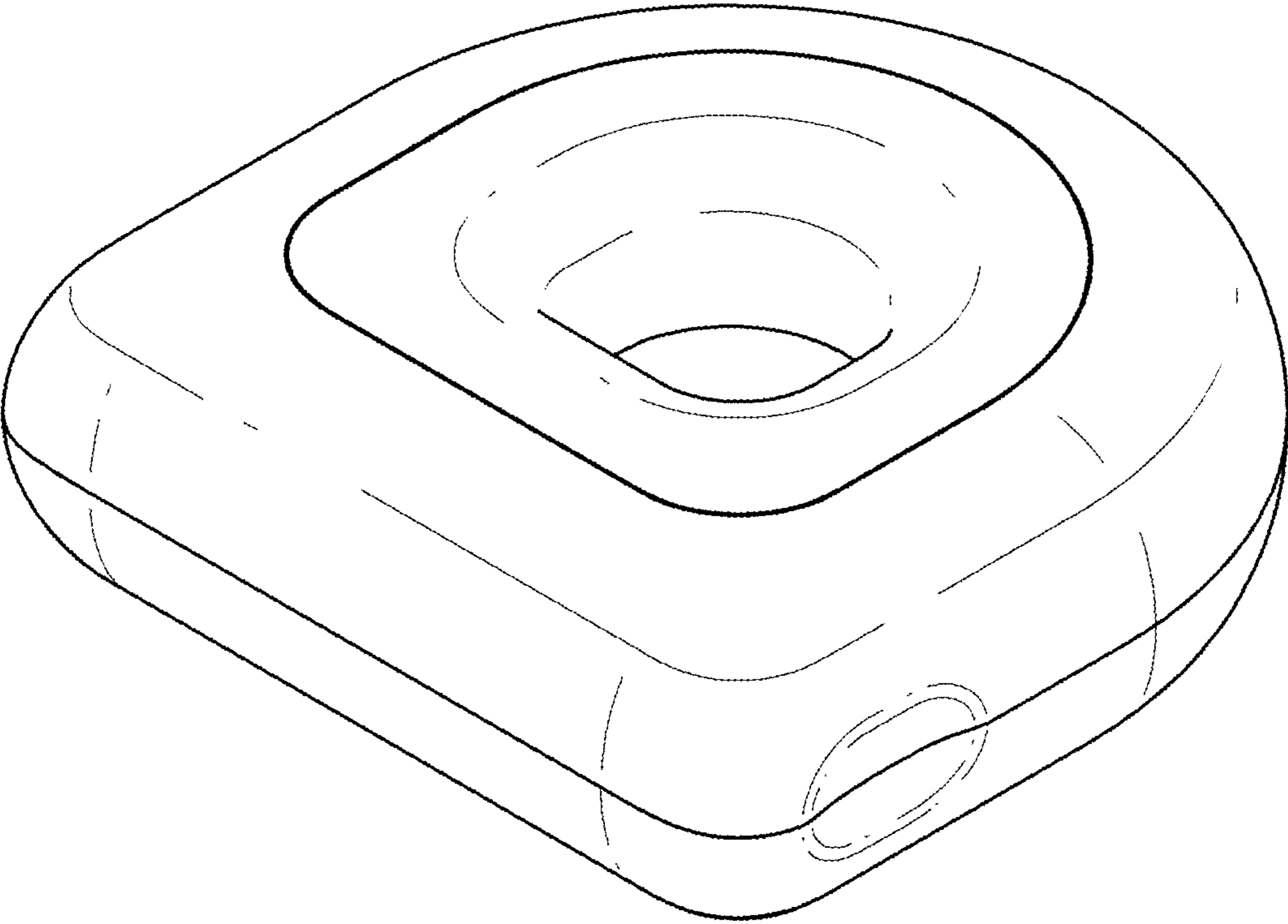


FIG. 2

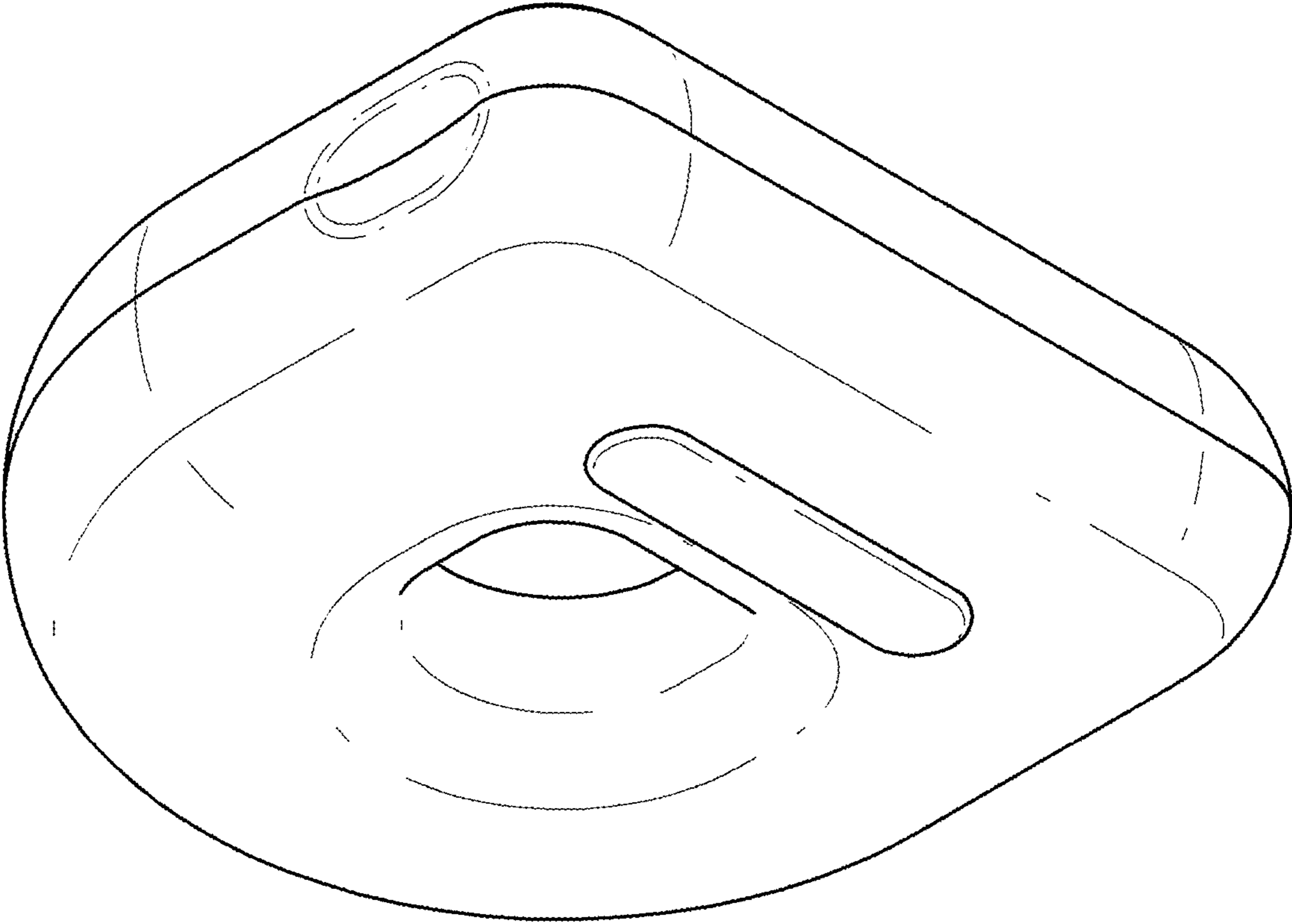


FIG. 3

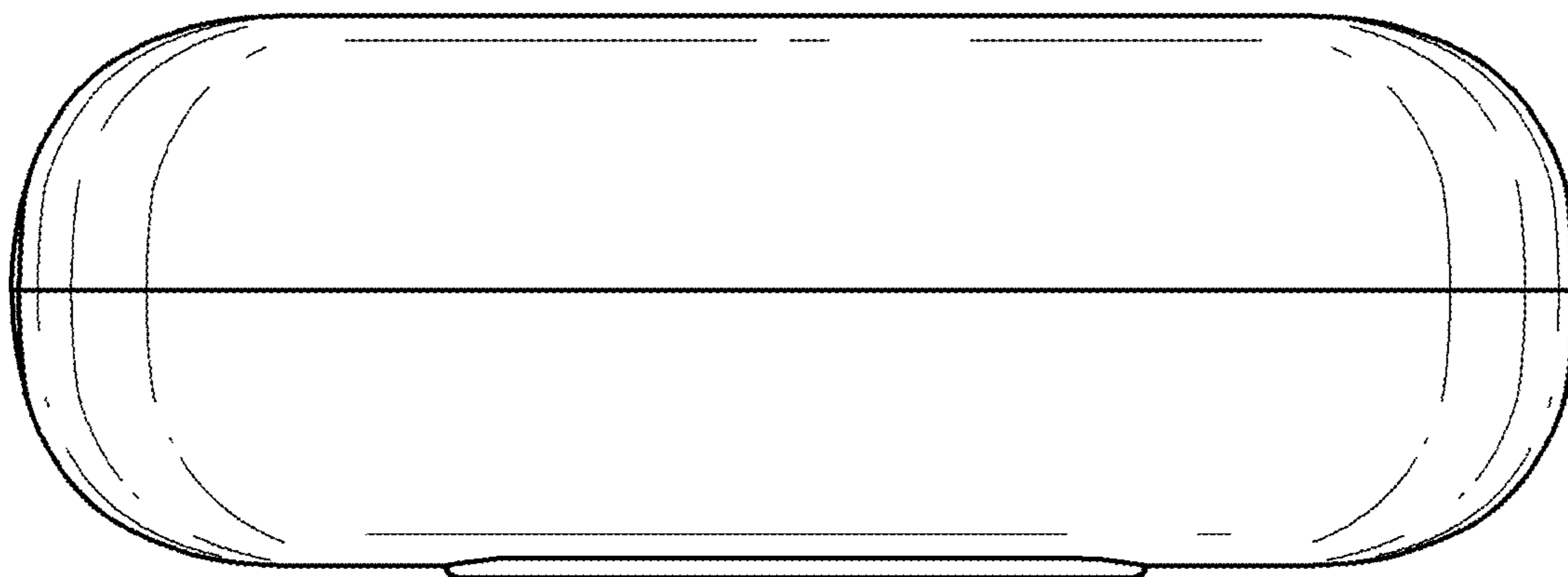


FIG. 4

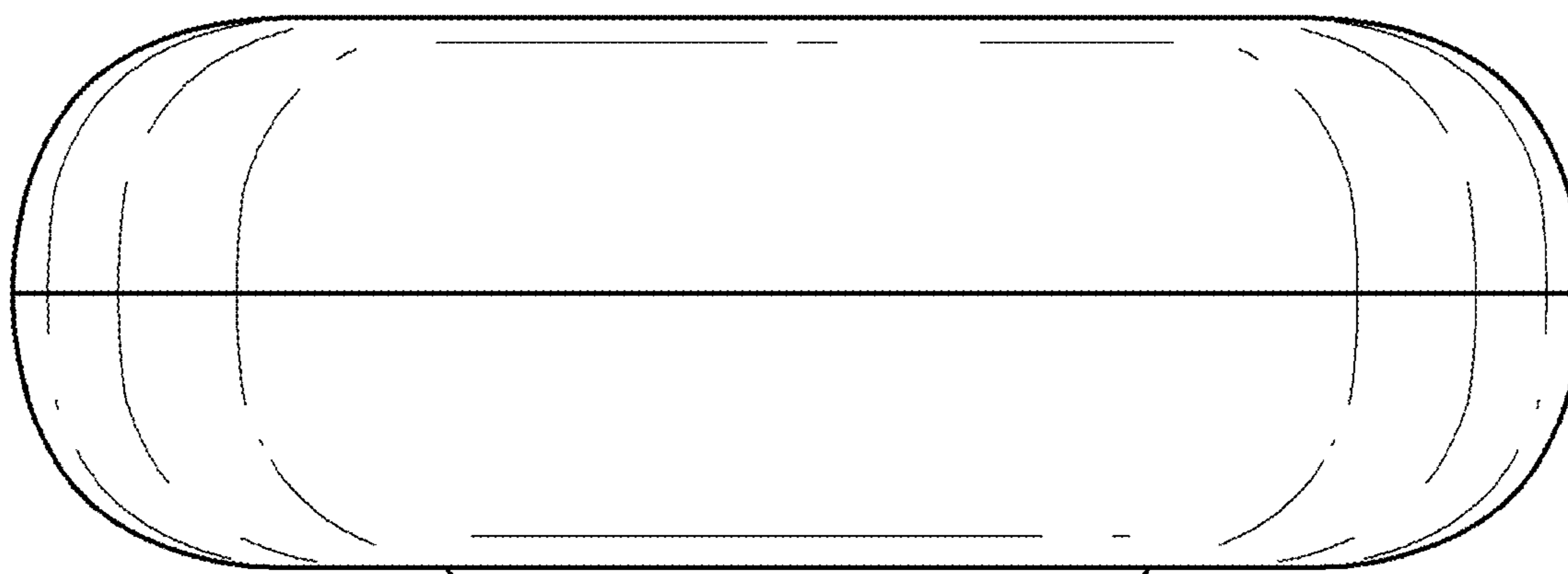


FIG. 5

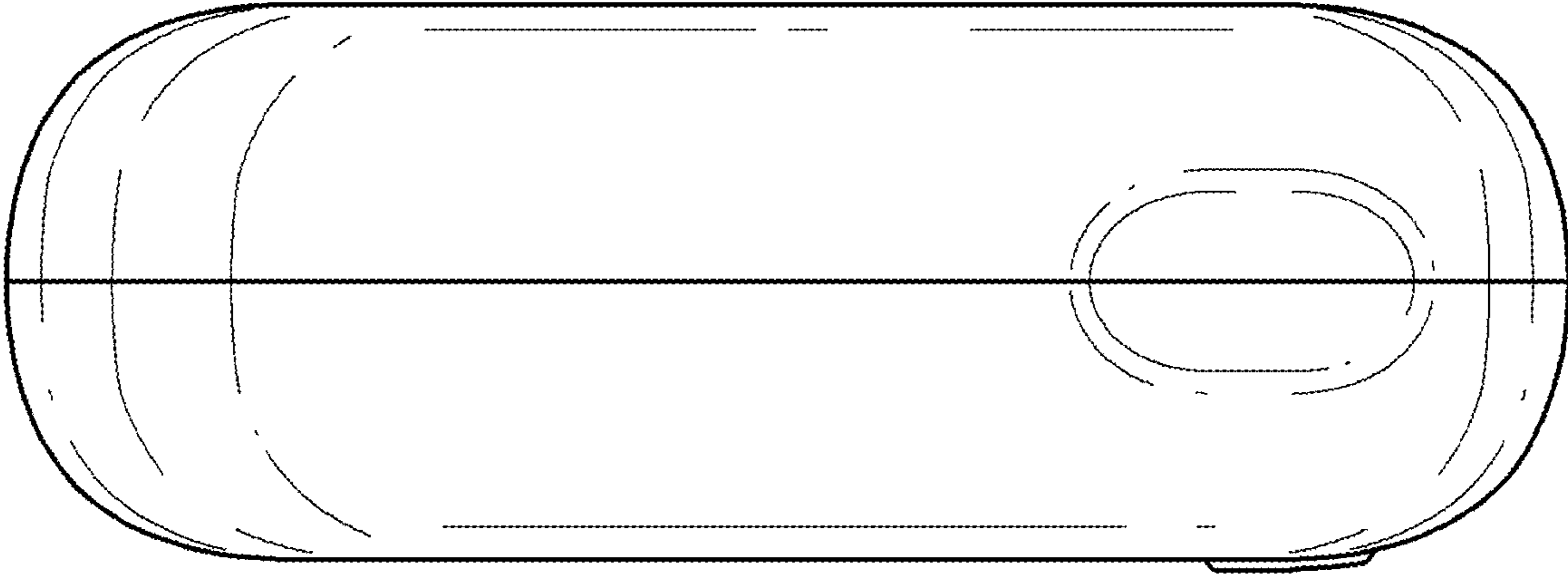


FIG. 6

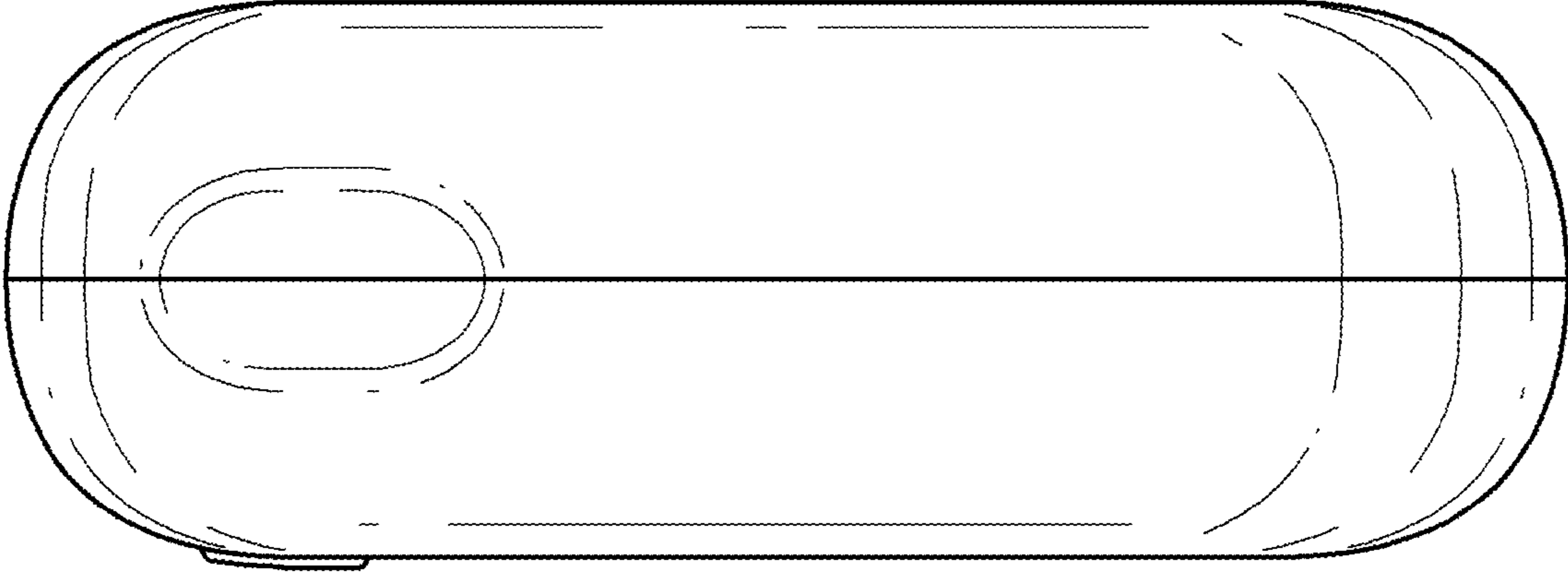


FIG. 7

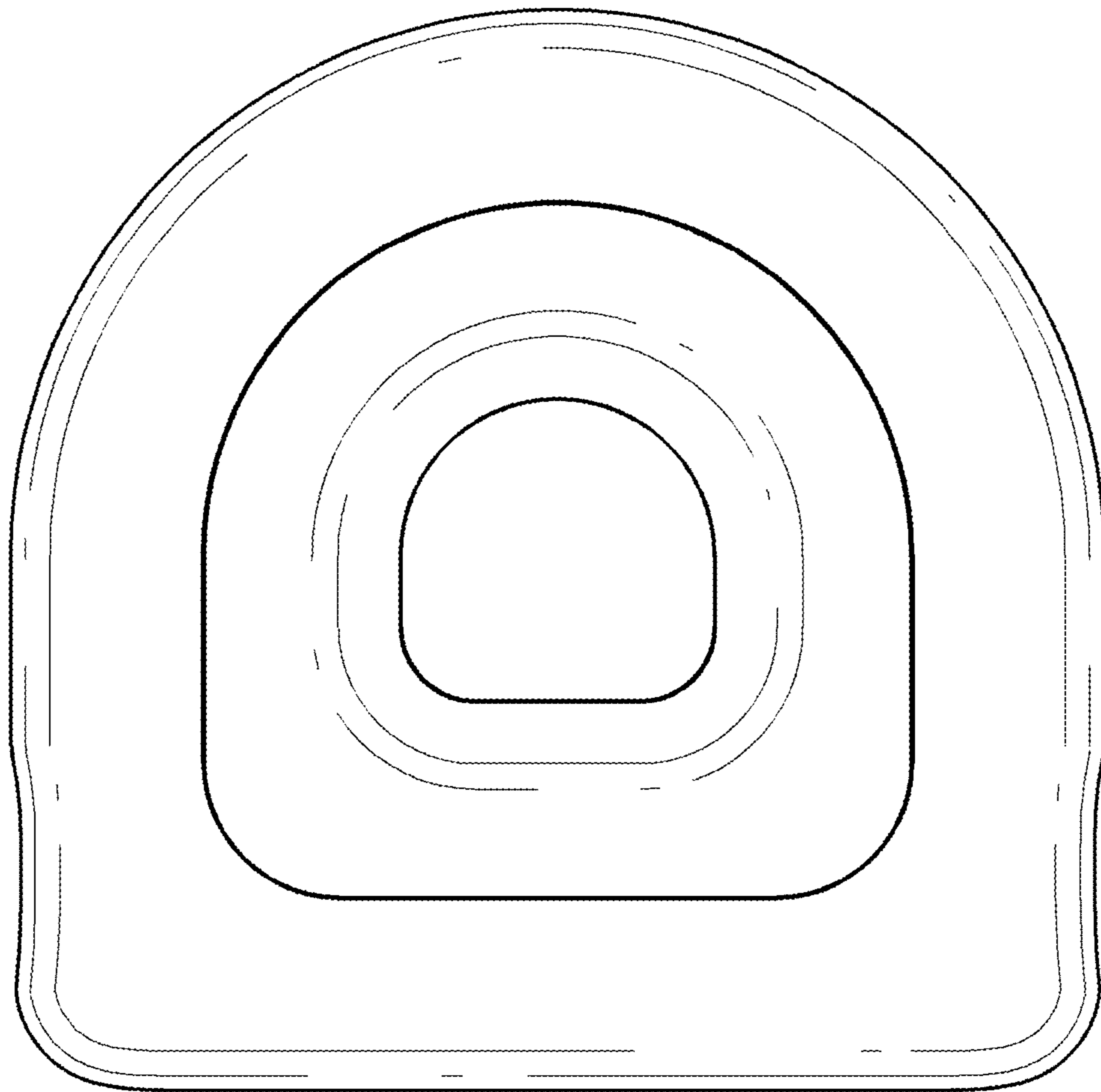


FIG. 8

