



US00D946088S

(12) **United States Design Patent**
Johnson

(10) **Patent No.:** **US D946,088 S**
(45) **Date of Patent:** **** Mar. 15, 2022**

(54) **ARROW DART**

(71) Applicant: **Brian L. Johnson**, Hayward, WI (US)

(72) Inventor: **Brian L. Johnson**, Hayward, WI (US)

(73) Assignee: **Brian L. Johnson**, Hayward, WI (US)

(**) Term: **15 Years**

(21) Appl. No.: **29/744,262**

(22) Filed: **Jul. 28, 2020**

Related U.S. Application Data

(62) Division of application No. 29/682,399, filed on Mar. 5, 2019, now Pat. No. Des. 896,316.

(51) **LOC (13) Cl.** **21-01**

(52) **U.S. Cl.**
USPC **D21/387**

(58) **Field of Classification Search**
USPC D21/301, 385, 387, 436, 451, 452, 570,
D21/571; D22/115
CPC . A63H 33/18; F42B 6/003; F42B 6/02; F42B
6/04; F42B 6/06; F42B 6/08; F42B 6/10
See application file for complete search history.

(56) **References Cited**

U.S. PATENT DOCUMENTS

- 1,444,913 A * 2/1923 Hampel F41J 3/0076
273/408
- 5,223,667 A * 6/1993 Anderson F42B 10/08
102/517
- 5,388,840 A * 2/1995 Werle F42B 6/003
473/586
- 5,498,004 A * 3/1996 Mariella F42B 6/003
29/527.2
- D380,784 S * 7/1997 Smith D21/387
- D381,372 S * 7/1997 Smith D21/387
- D394,085 S * 5/1998 Leedy 401/195

- D395,465 S * 6/1998 Smith D21/387
- D399,539 S * 10/1998 Smith D21/387
- D403,370 S * 12/1998 Bottelsen F42B 6/003
D21/387
- 6,758,772 B1 * 7/2004 Chambers F42B 6/003
473/578
- D562,411 S * 2/2008 Jones F42B 10/08
D21/387
- 8,617,010 B2 * 12/2013 Marshall, Jr. F41B 5/1446
473/586
- D878,487 S * 3/2020 Lallier D21/570
- D896,316 S 9/2020 Johnson

* cited by examiner

Primary Examiner — Joseph Kukella

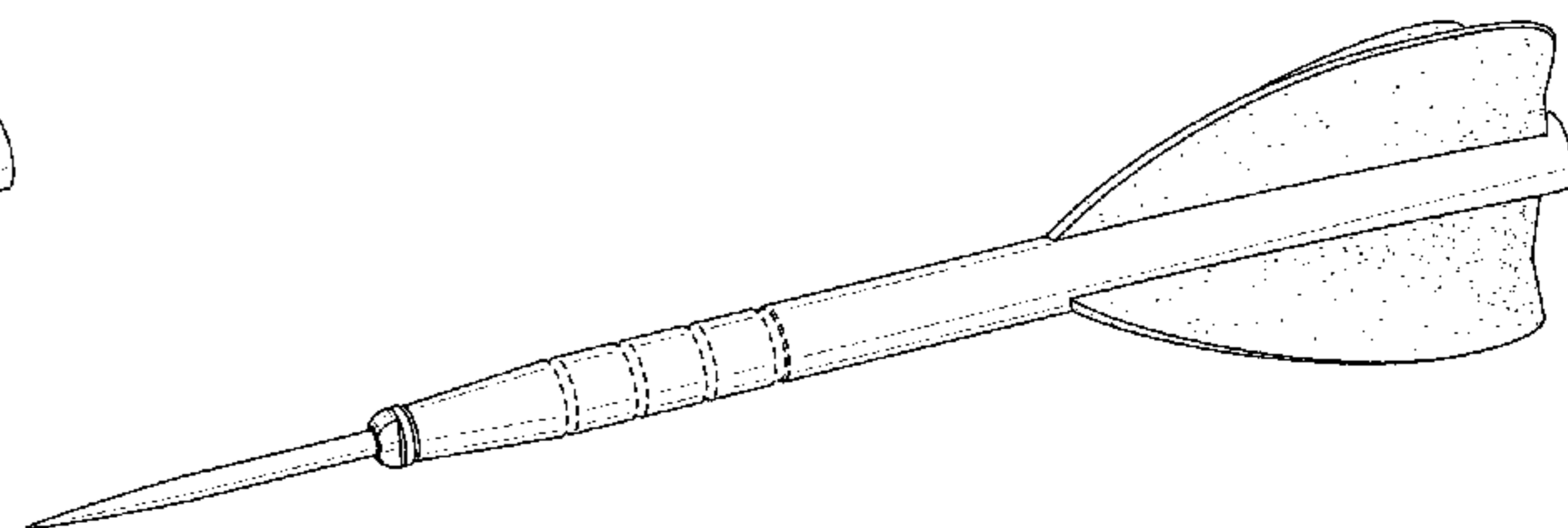
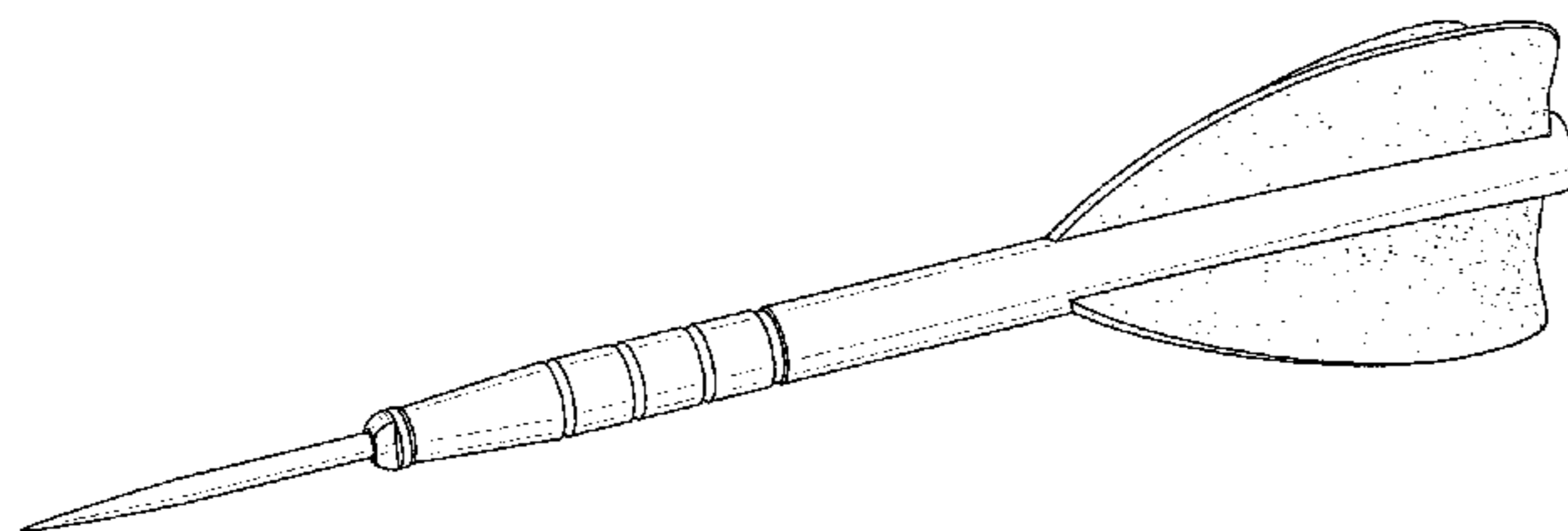
(57) **CLAIM**

The ornamental design for an arrow dart, as shown and described.

DESCRIPTION

FIG. 1 illustrates a front perspective view of an arrow dart;
 FIG. 2 illustrates a front view thereof;
 FIG. 3 illustrates a rear view thereof;
 FIG. 4 illustrates a side view thereof;
 FIG. 5 illustrates another side view thereof;
 FIG. 6 illustrates another side view thereof; and
 FIG. 7 illustrates another side view thereof.
 FIG. 8 illustrates a front perspective view of another arrow
 dart;
 FIG. 9 illustrates a front view thereof;
 FIG. 10 illustrates a back view thereof;
 FIG. 11 illustrates a side view thereof;
 FIG. 12 illustrates another side view thereof;
 FIG. 13 illustrates another side view thereof; and,
 FIG. 14 illustrates another side view thereof.
 In all Figures, broken lines illustrate environmental features
 and form no part of the claimed design.

1 Claim, 8 Drawing Sheets



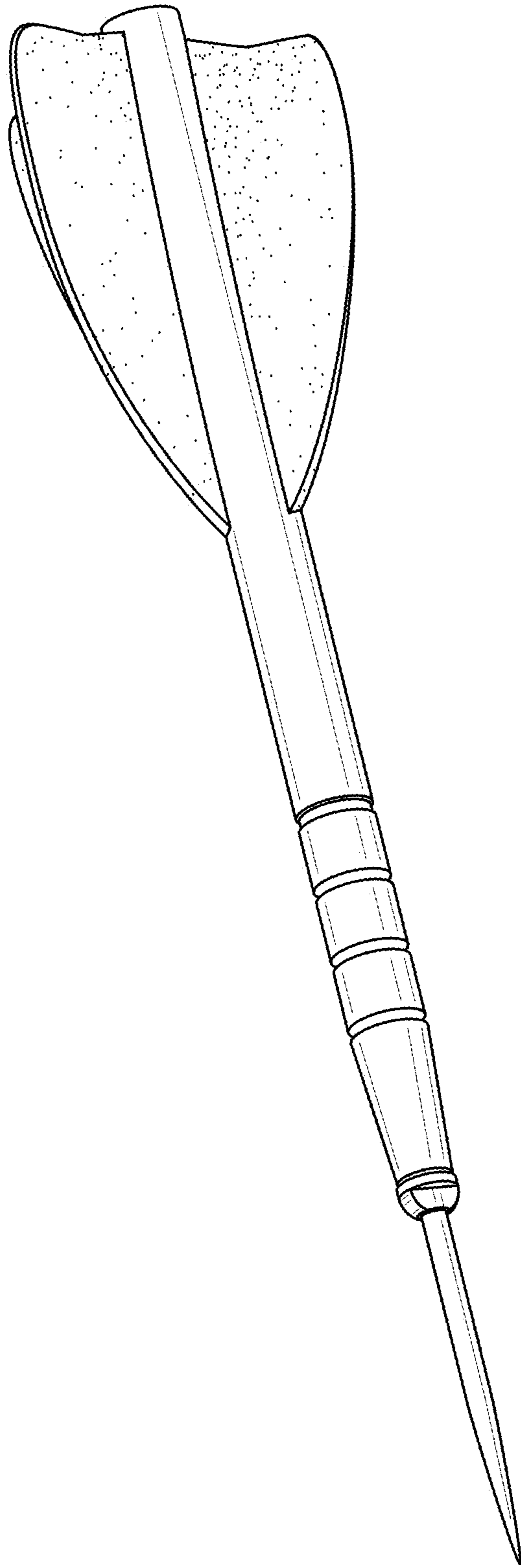


FIG. 1

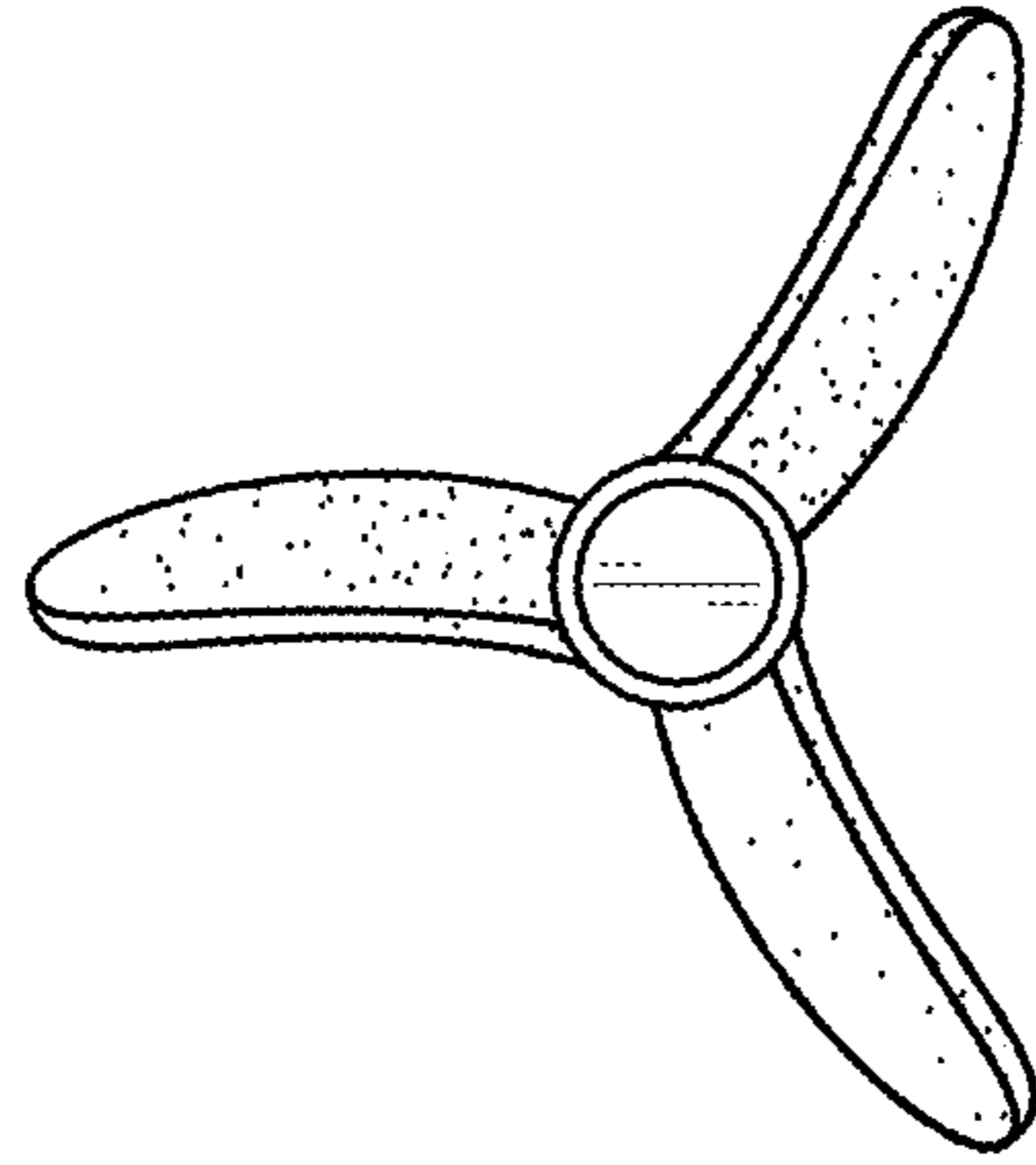


FIG. 3

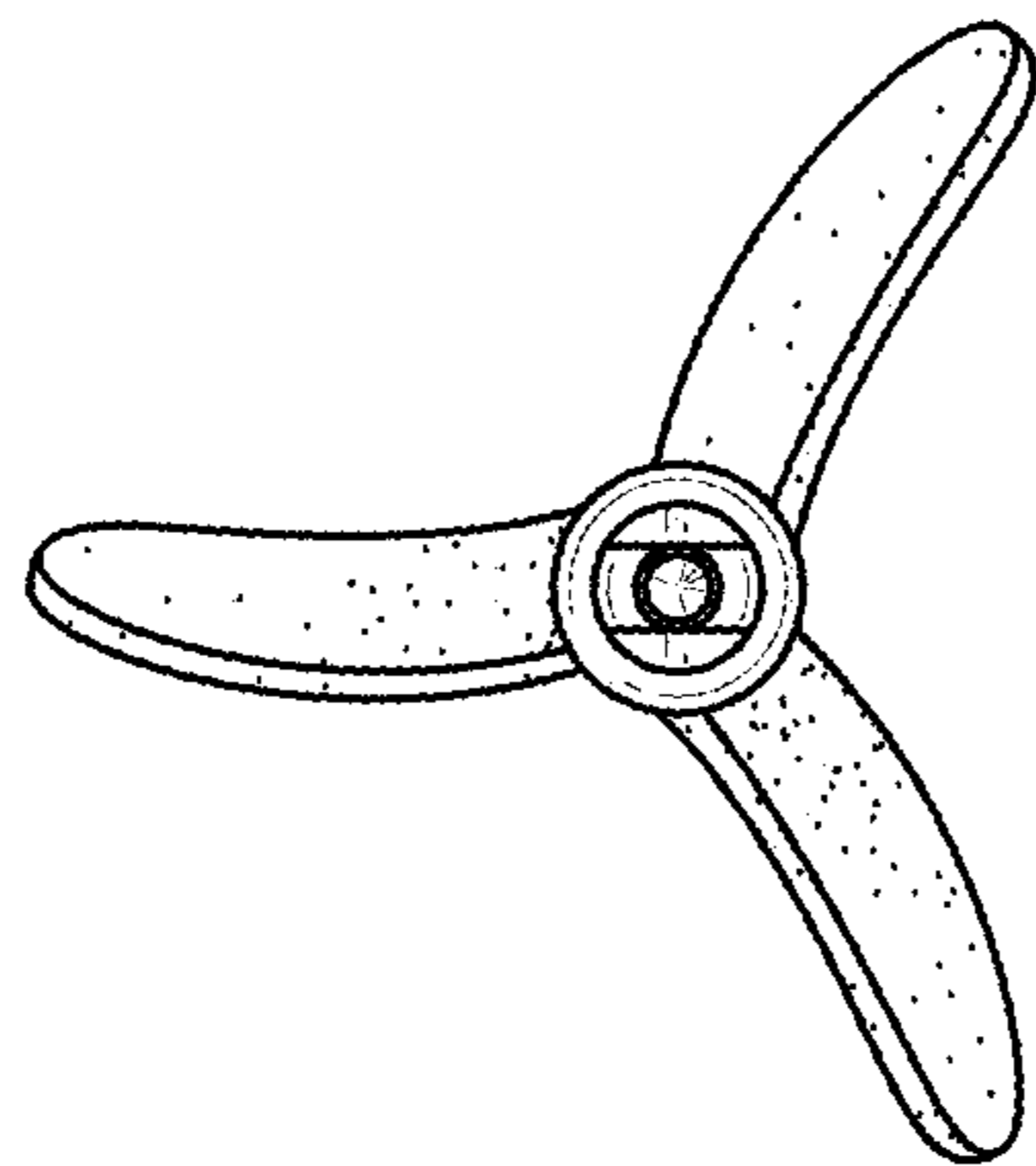


FIG. 2

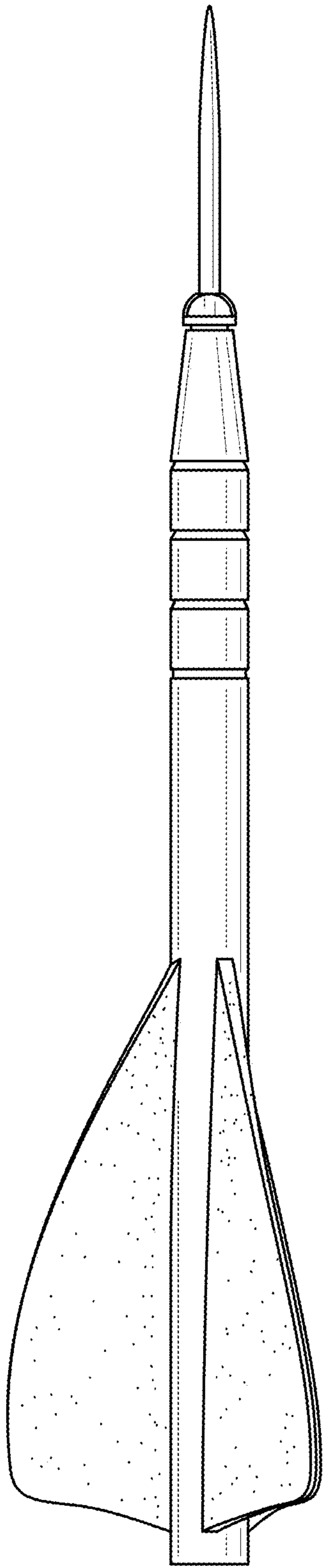


FIG. 4

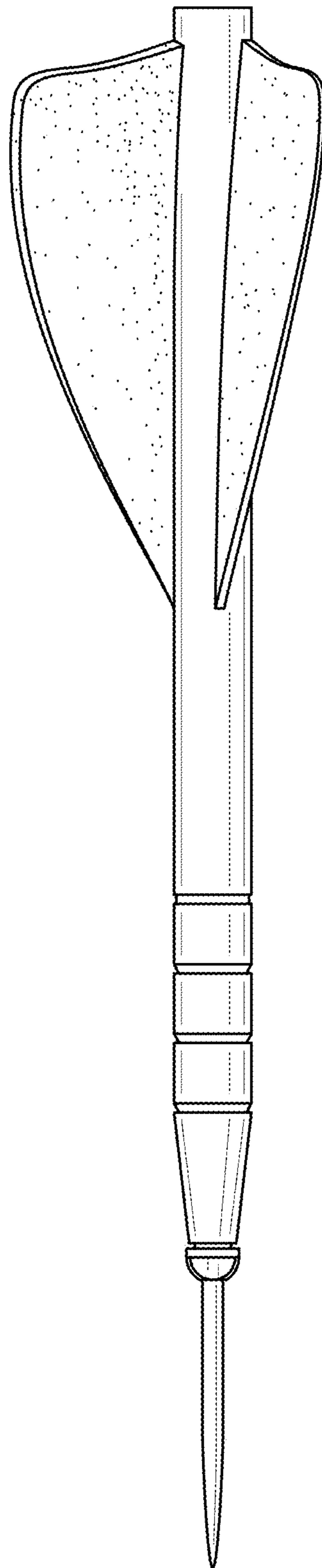


FIG. 5

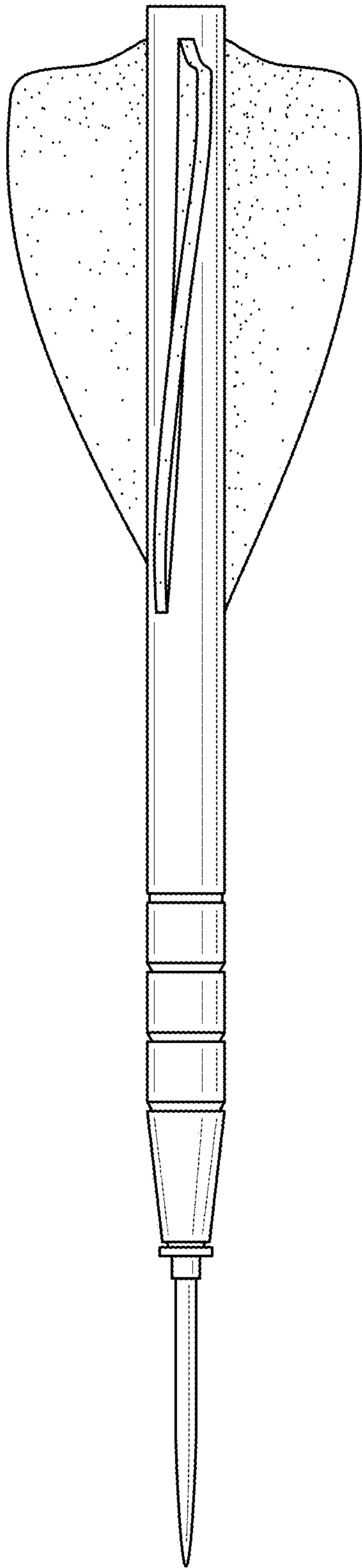


FIG. 6

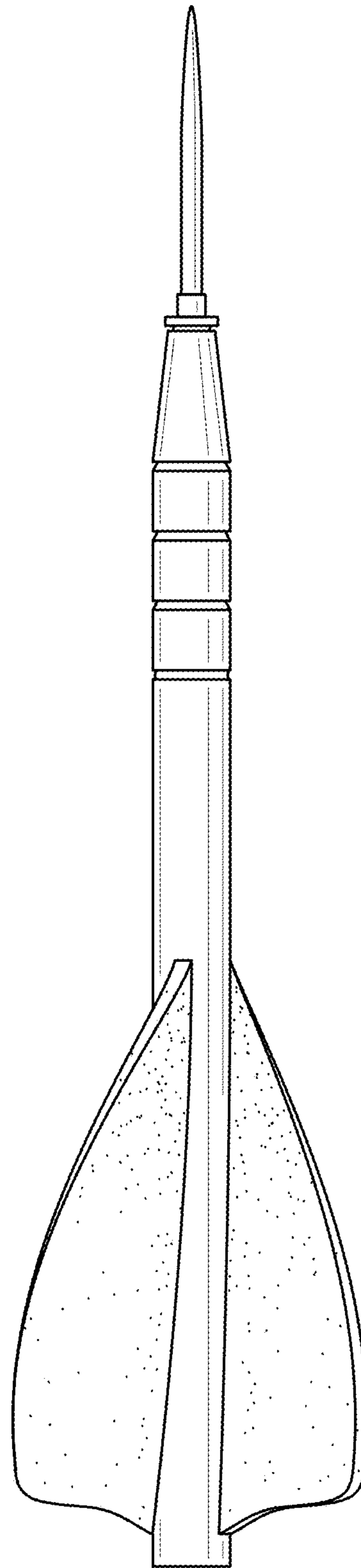


FIG. 7

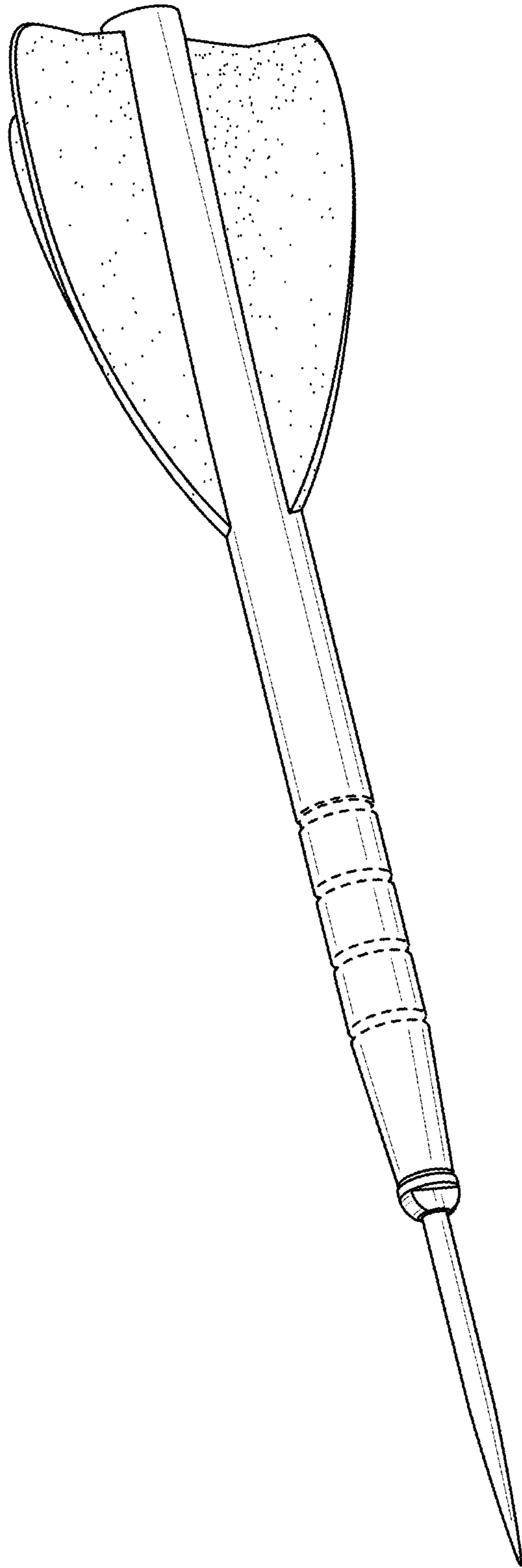


FIG. 8

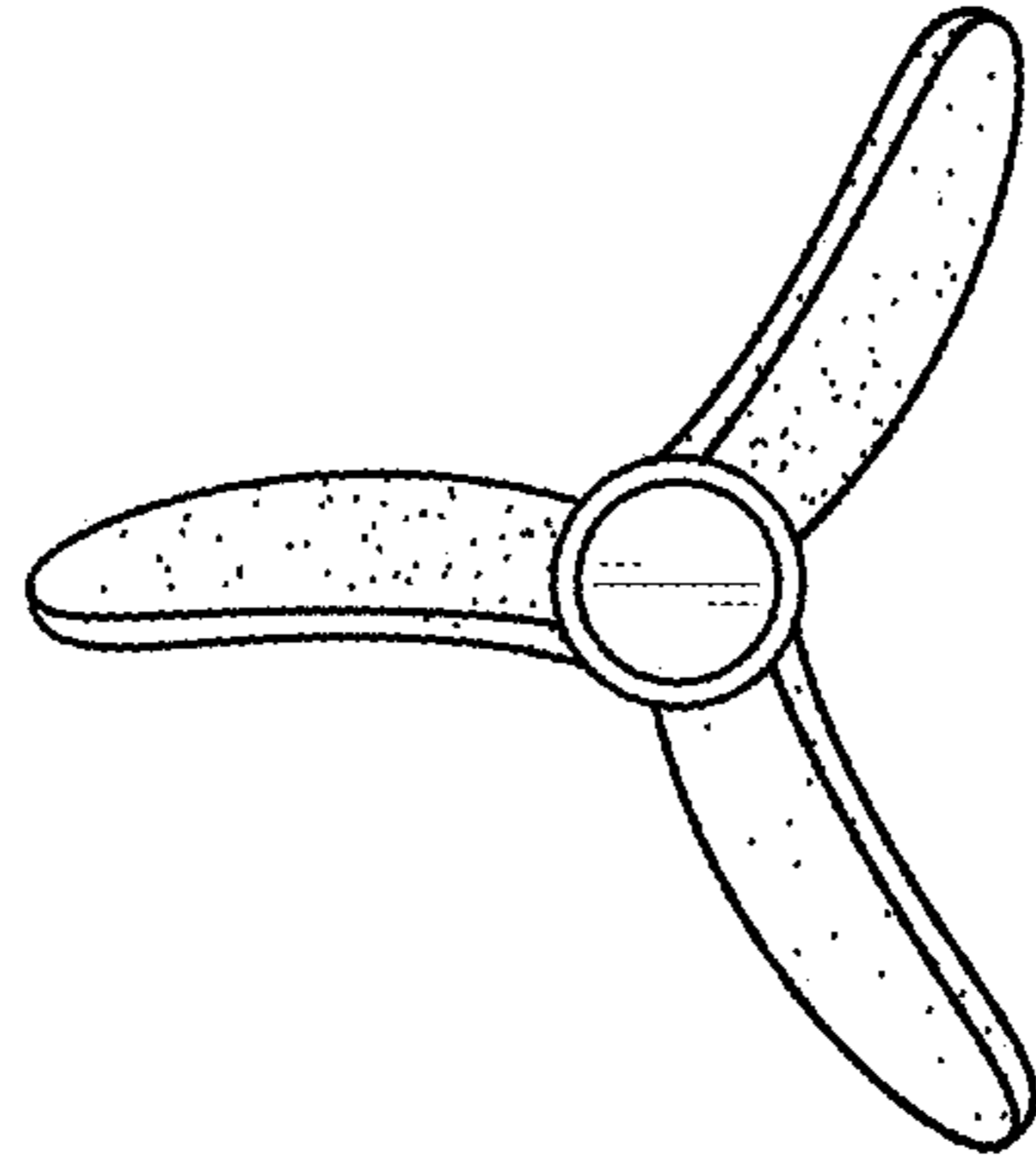


FIG. 10

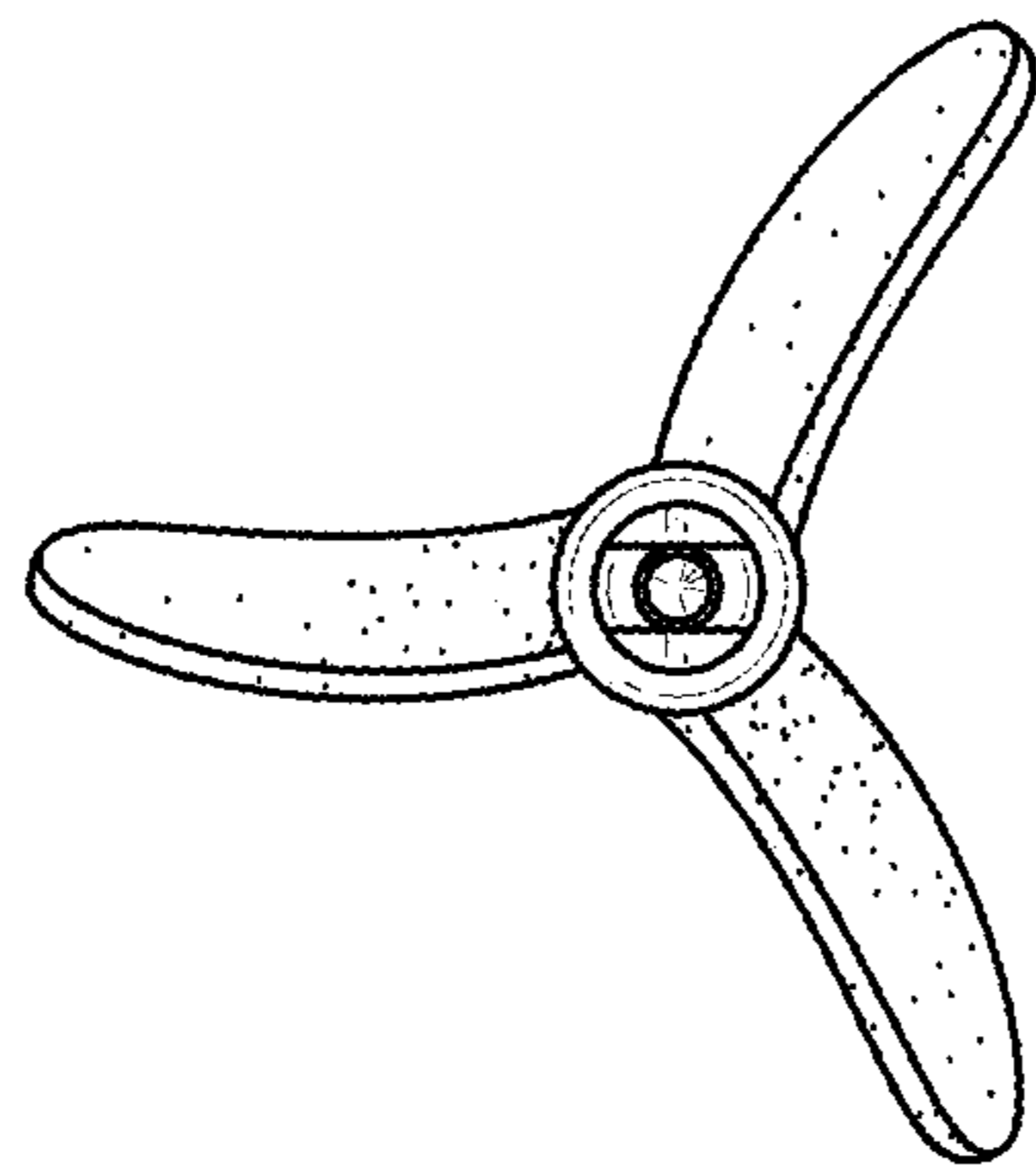


FIG. 9

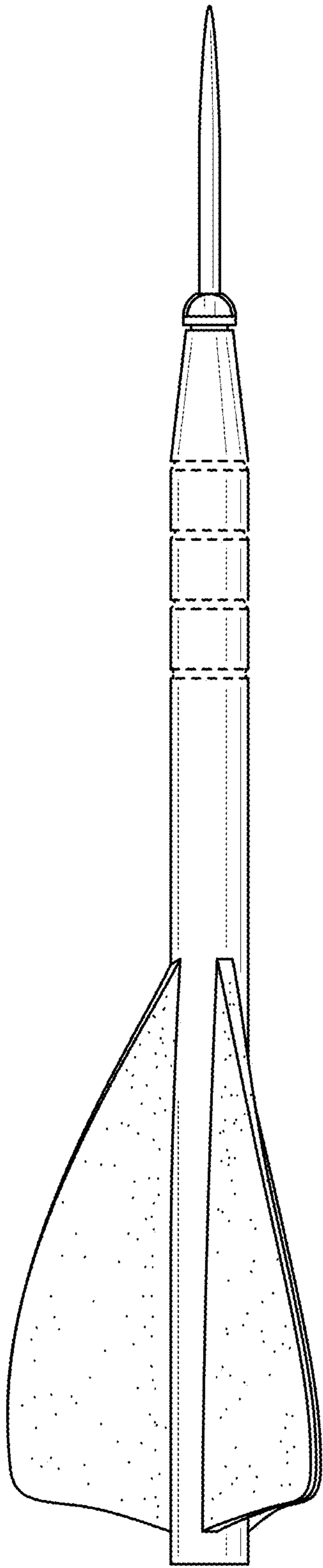


FIG. 11

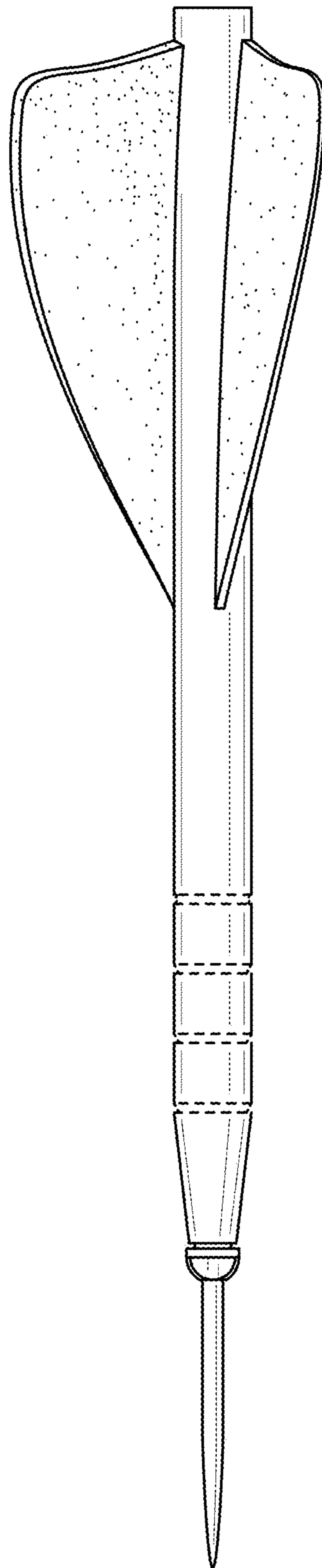


FIG. 12

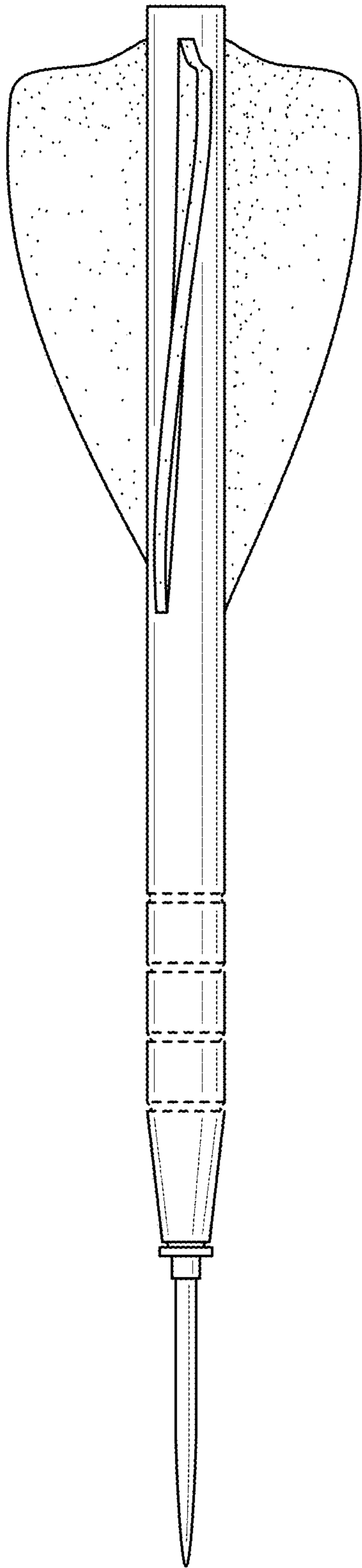


FIG. 13

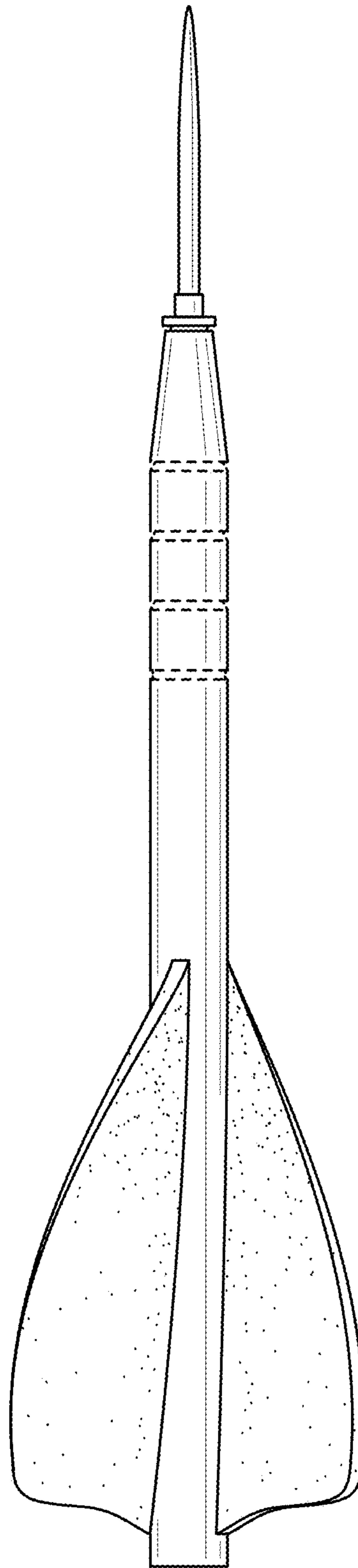


FIG. 14