



US00D946083S

(12) **United States Design Patent**
Blyth

(10) **Patent No.:** **US D946,083 S**
(45) **Date of Patent:** **** Mar. 15, 2022**

- (54) **DESKTOP HOLDER**
- (71) Applicant: **Richard Blyth**, Los Angeles, CA (US)
- (72) Inventor: **Richard Blyth**, Los Angeles, CA (US)
- (**) Term: **15 Years**
- (21) Appl. No.: **29/808,733**
- (22) Filed: **Sep. 22, 2021**
- (51) **LOC (13) Cl.** **19-02**
- (52) **U.S. Cl.**
USPC **D19/91**
- (58) **Field of Classification Search**
USPC D19/75, 86, 87, 90-92, 95, 99, 100;
D14/251, 252, 253, 254, 447; D21/392;
D28/73
CPC .. B43M 99/00; B43M 99/001; B43M 99/008;
B43M 99/009
See application file for complete search history.

(56) **References Cited**
U.S. PATENT DOCUMENTS

D52,276 S *	8/1918	Johnston	D19/91
D97,607 S *	11/1935	Laird	D21/533
2,098,863 A *	11/1937	Elliott	B67B 7/30 30/2
D135,416 S *	4/1943	Hull	D19/99
D201,777 S *	7/1965	Bunn	D19/84
3,779,504 A *	12/1973	Schwartz	A47B 97/02 248/441.1
D320,231 S *	9/1991	Evenson	D19/85
D333,723 S *	3/1993	Risner	D3/23
D336,658 S *	6/1993	Peersmann	D19/85
D344,547 S *	2/1994	Tietje	D19/82
D400,736 S *	11/1998	Churchville	D7/701
5,857,654 A *	1/1999	Berman	A47B 21/045 248/441.1
D544,151 S *	6/2007	Kieren	D28/73
D572,311 S *	7/2008	Curless	D19/91
D647,525 S *	10/2011	Seto	D14/434

D657,741 S *	4/2012	Fahrendorff	D13/108
D661,309 S *	6/2012	Murrer	D14/447
D668,662 S *	10/2012	Suiter	D14/447
D672,350 S *	12/2012	Gioscia	D14/434
D699,368 S *	2/2014	Quilter	D24/216
D700,614 S *	3/2014	Hamblet	D14/447
D704,633 S *	5/2014	Ryu	D13/108
D709,075 S *	7/2014	Miniard	D14/447
D716,870 S *	11/2014	Jungst	D19/91
D741,336 S *	10/2015	Miniard	D14/447
D757,730 S *	5/2016	Fletcher	D14/434
D769,878 S *	10/2016	Fletcher	D14/434
D788,076 S *	5/2017	Swendseid	D14/217
D791,778 S *	7/2017	Miniard	D14/447
D859,394 S *	9/2019	Skogrand-Khatib	D14/253
D865,748 S *	11/2019	Li	D14/253

(Continued)

OTHER PUBLICATIONS

Family Handyman Smart Home Improvement, Oct./Nov. 2020, at pp. 56-58.

Primary Examiner — Elizabeth A. Albert
(74) *Attorney, Agent, or Firm* — Trojan Law Offices

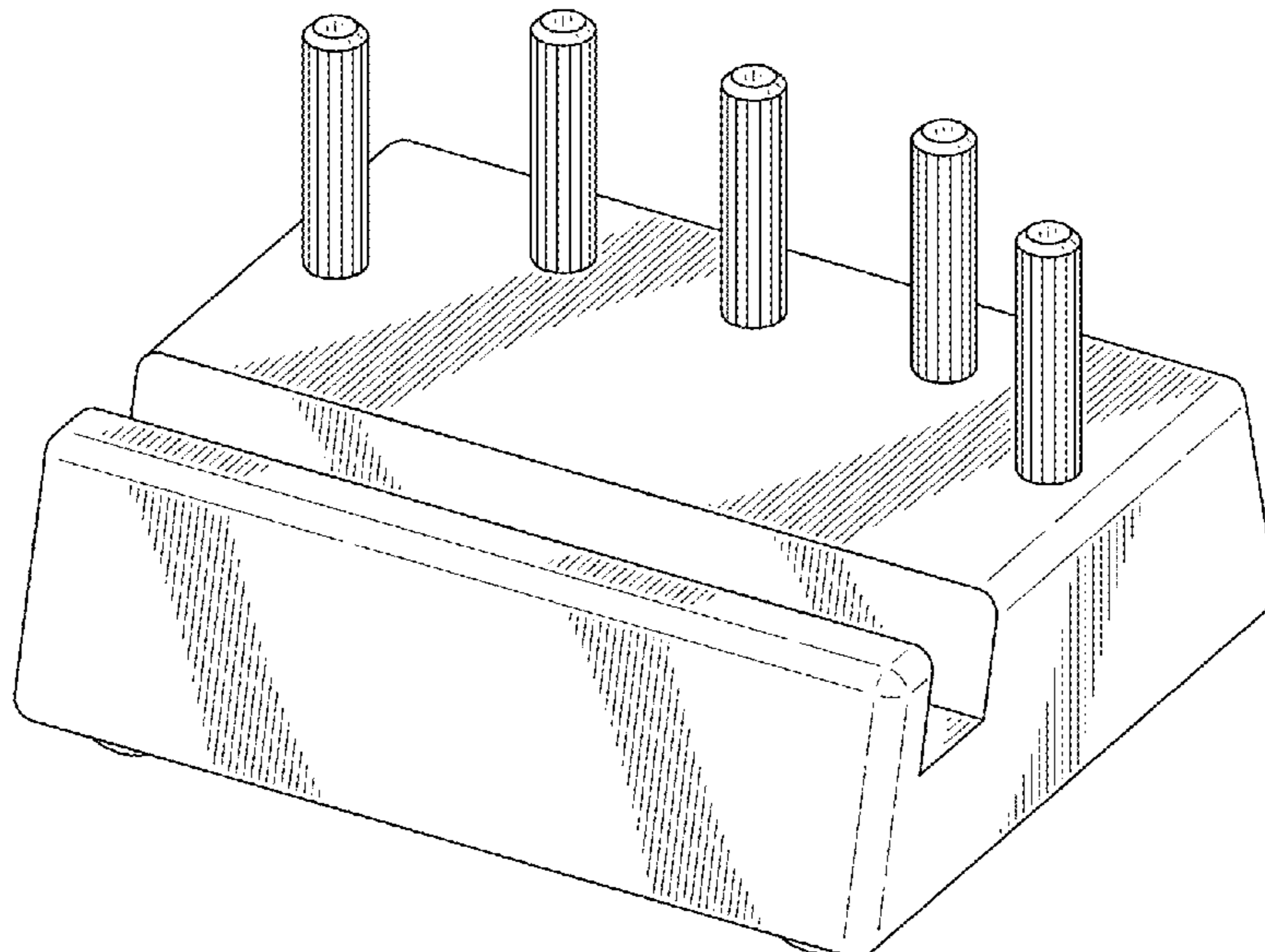
(57) **CLAIM**

The ornamental design for a desktop holder, as shown and described.

DESCRIPTION

FIG. 1 is a front perspective view of a desktop holder showing my new design.
FIG. 2 is a front view thereof.
FIG. 3 is a side view thereof.
FIG. 4 is a top plan view thereof.
FIG. 5 is a bottom plan view thereof.
FIG. 6 is front perspective view thereof; and,
FIG. 7 is another perspective view thereof.
The broken lines are included to show environmental articles that form no part of the claimed design.

1 Claim, 4 Drawing Sheets



(56)

References Cited

U.S. PATENT DOCUMENTS

D872,095 S *	1/2020	Miniard	D14/447
D873,830 S *	1/2020	Cheng	D14/434
D902,149 S *	11/2020	Tu	D13/108
D920,905 S *	6/2021	Huang	D13/107
D924,131 S *	7/2021	Kuo	D13/108
D936,062 S *	11/2021	Miniard	D14/447
2013/0003291 A1 *	1/2013	Zhou	F16M 13/00 361/679.41

* cited by examiner

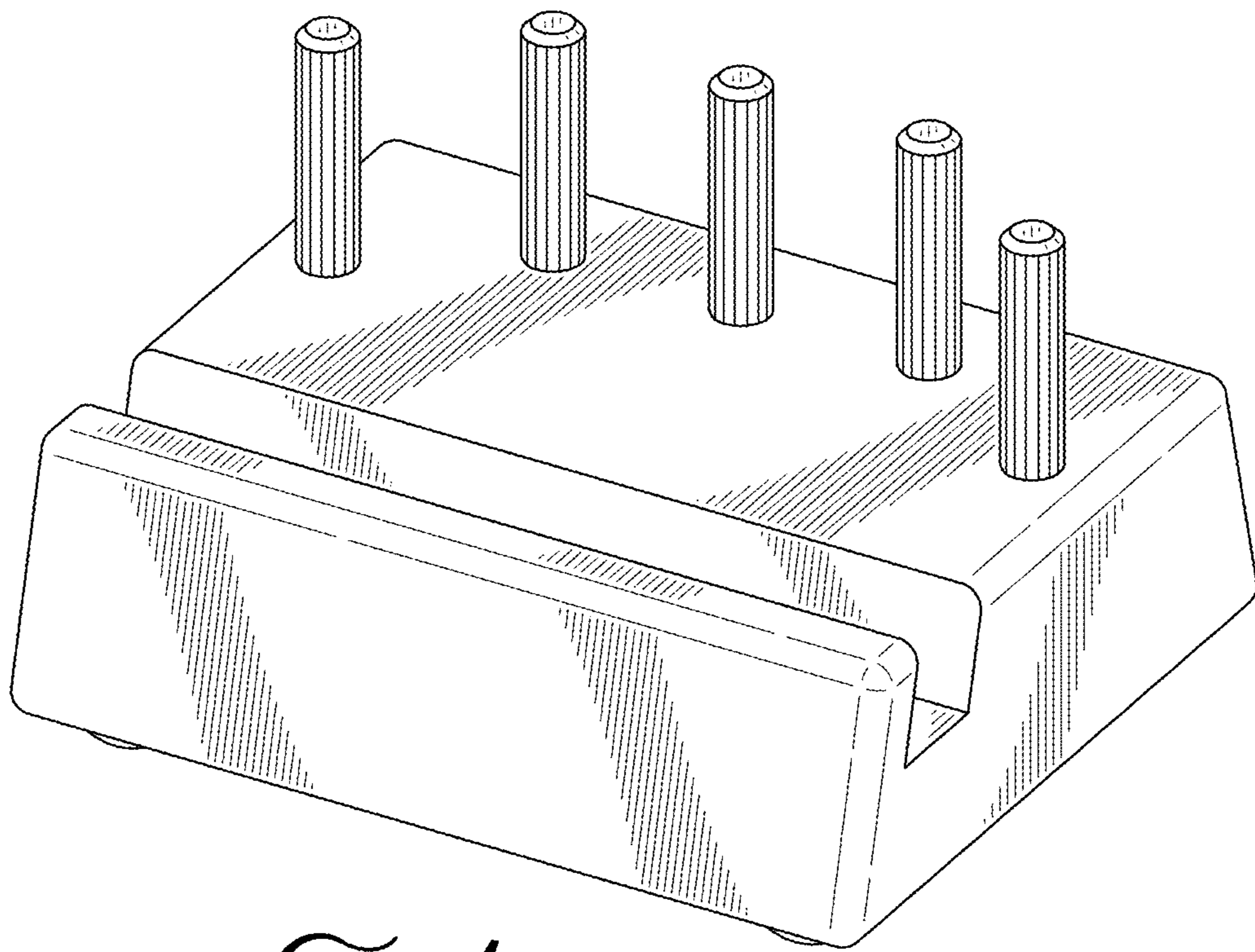


FIG. 1

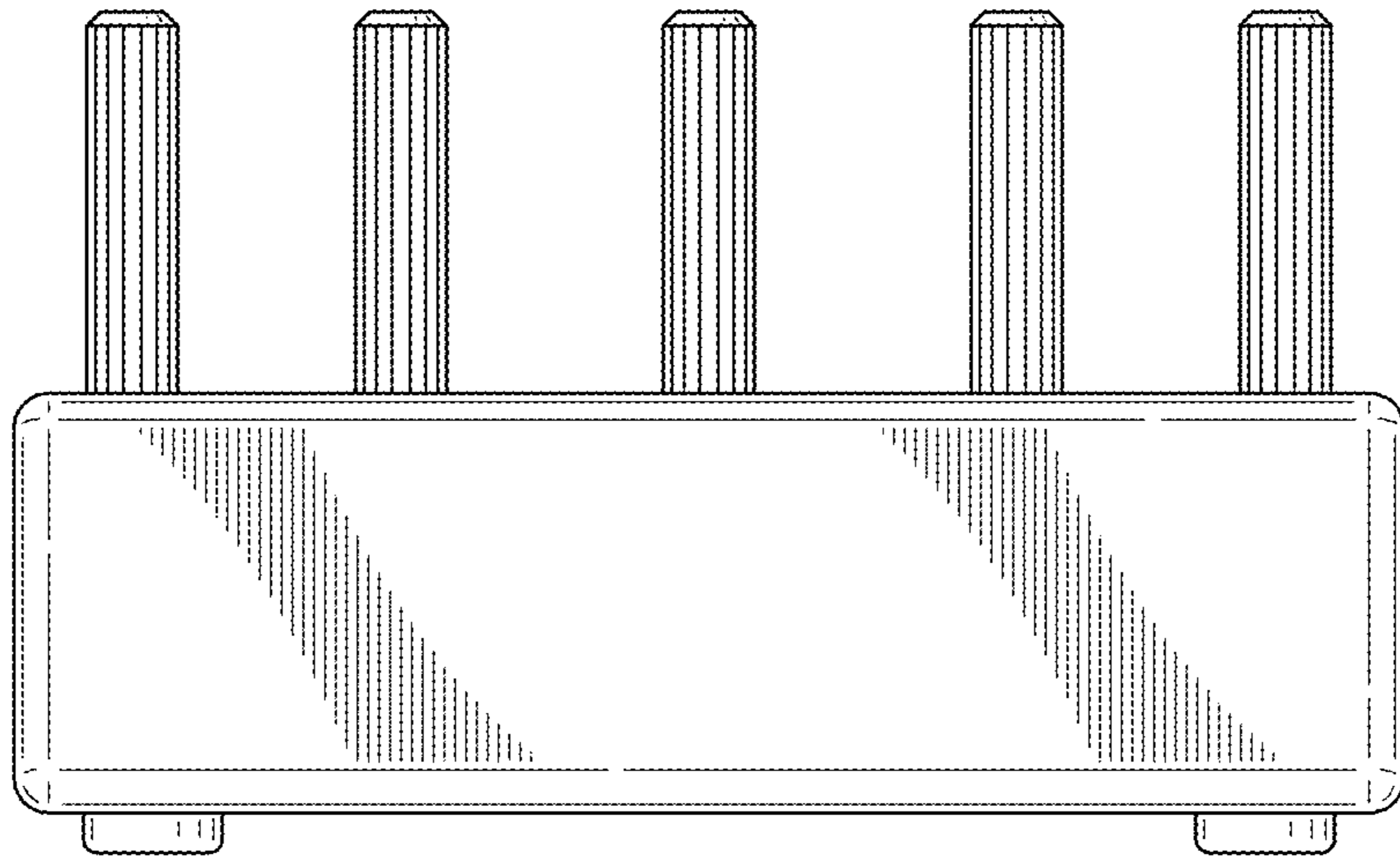


FIG. 2

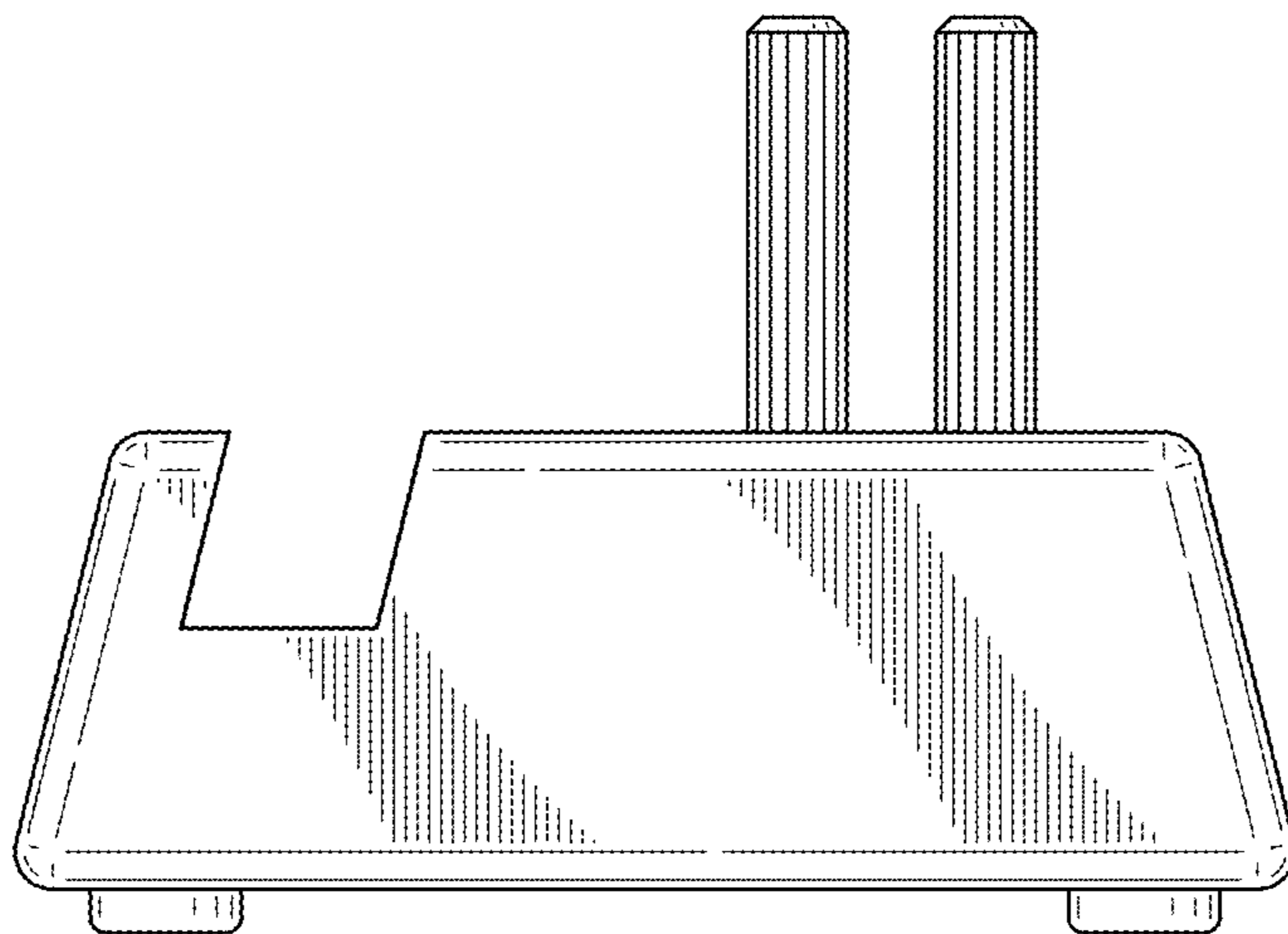


FIG. 3

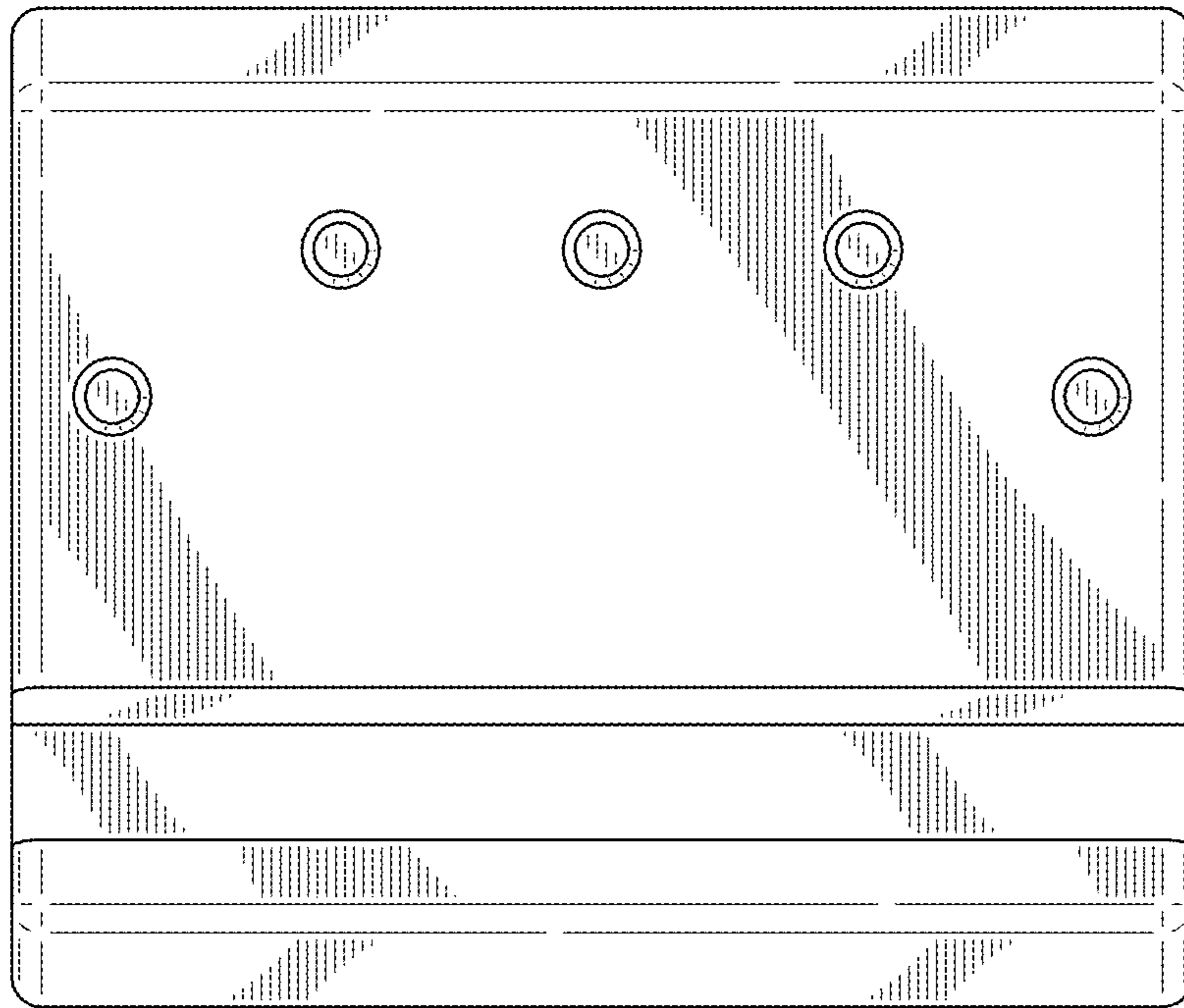


FIG. 4

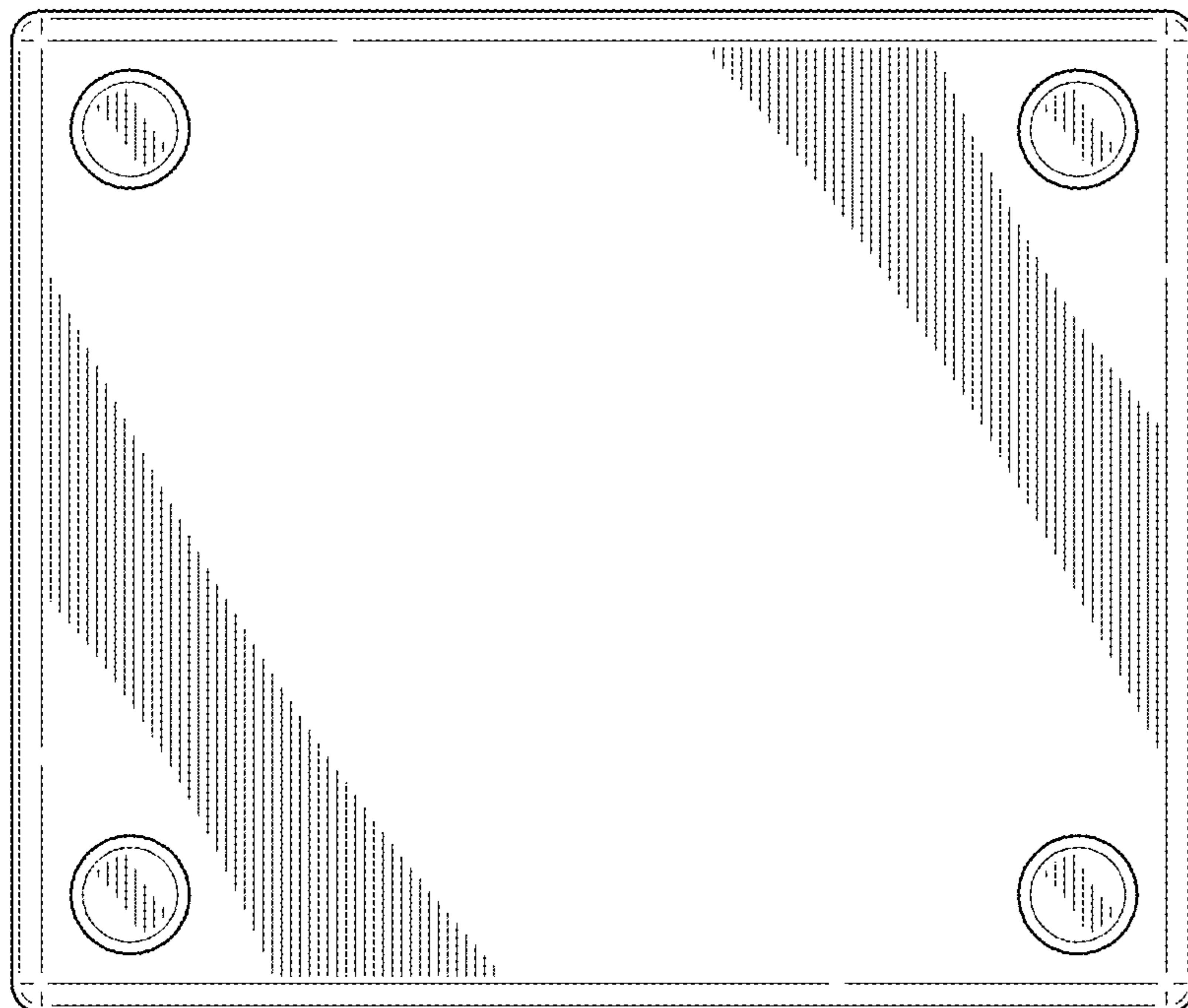


FIG. 5

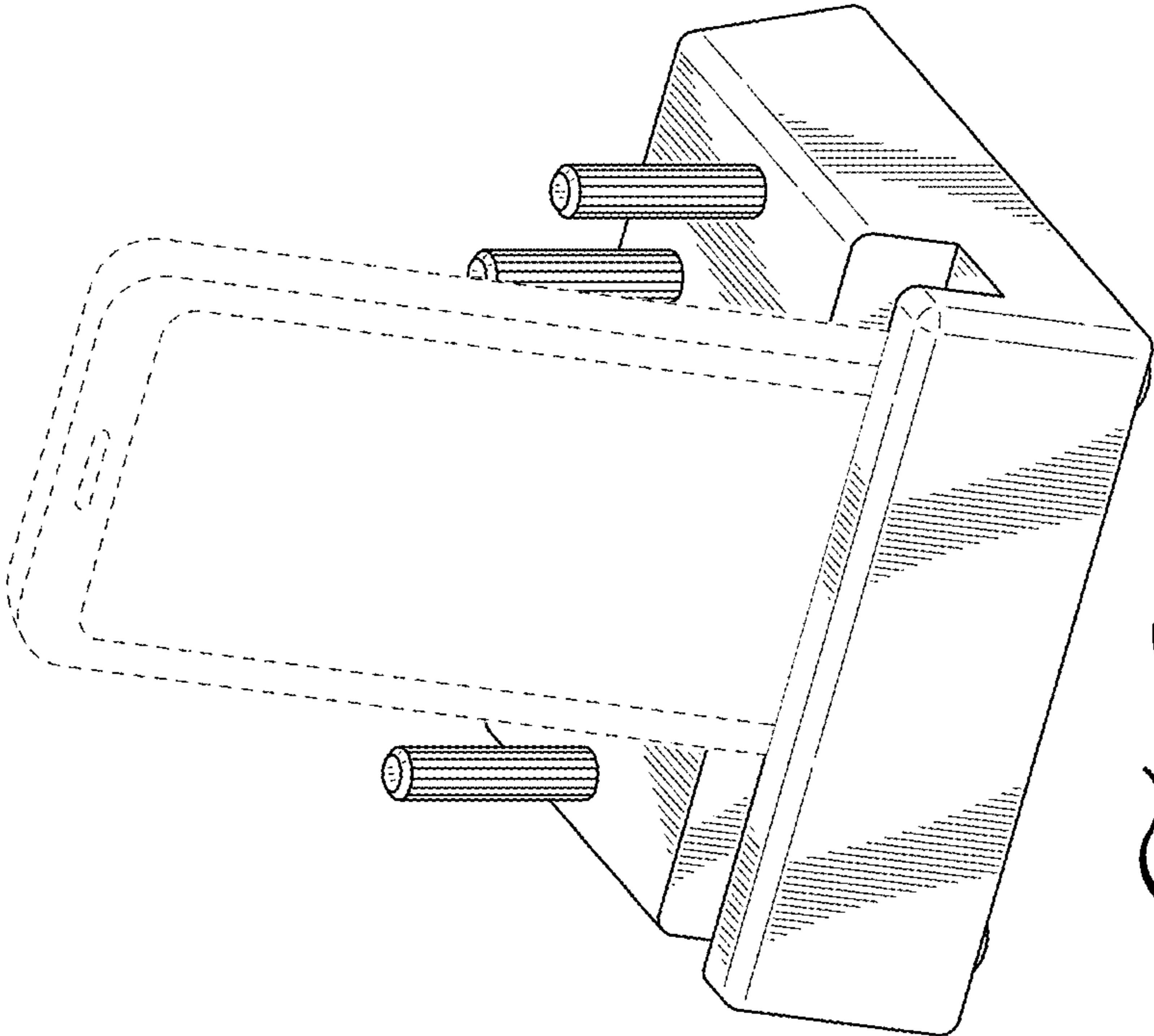


FIG. 7

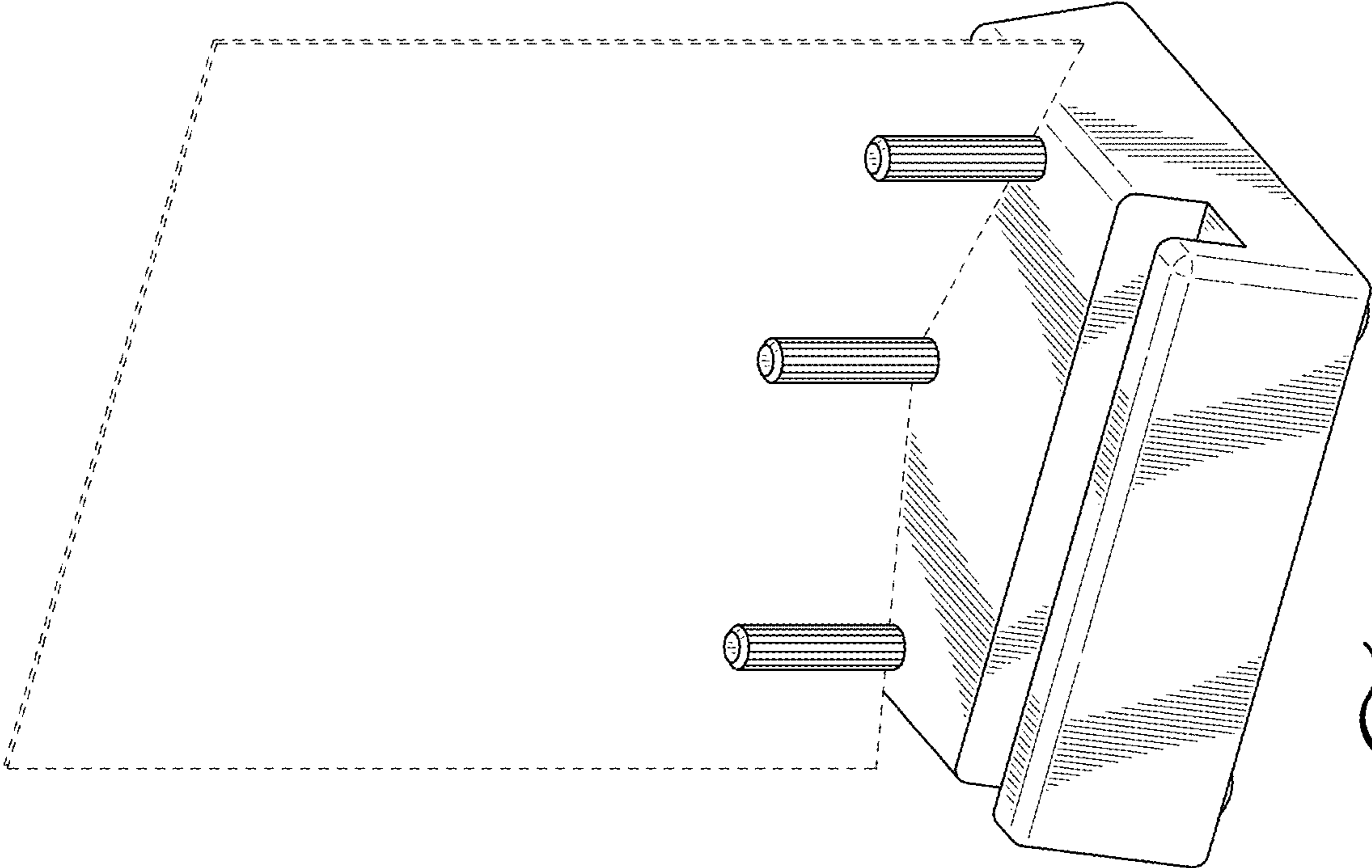


FIG. 8