



US00D946082S

(12) **United States Design Patent**
Le et al.

(10) **Patent No.:** **US D946,082 S**
(45) **Date of Patent:** **** Mar. 15, 2022**

- (54) **BINDER**
- (71) Applicant: **CCL Label, Inc.**, Framingham, MA (US)
- (72) Inventors: **Sean Le**, Yorba, CA (US); **Cathleen Caruso**, Brea, CA (US); **Alan Jameson**, West Covina, OH (US); **Eric Nelson**, Cypress, CA (US)
- (73) Assignee: **CCL LABEL, INC.**, Framingham, MA (US)
- (**) Term: **15 Years**
- (21) Appl. No.: **29/649,279**
- (22) Filed: **May 29, 2018**

- 4,435,464 A * 3/1984 Hulber B42C 7/00
428/130
- 4,451,067 A * 5/1984 Williams B42F 13/16
281/15.1
- D303,548 S * 9/1989 Rexroat D19/27
(Continued)

OTHER PUBLICATIONS

“Binder Covers and Spines Tutorial” The learning effect blog. Oct. 14, 2012. Accessed on Jul. 28, 2020. (Year: 2012).*
(Continued)

Primary Examiner — Michelle E. Wilson
Assistant Examiner — Clare Ann Gannon
(74) *Attorney, Agent, or Firm* — McDonald Hopkins LLC

(57) **CLAIM**
The ornamental design for a binder, as shown and described.

Related U.S. Application Data

- (63) Continuation of application No. 29/511,510, filed on Dec. 11, 2014.
- (51) **LOC (13) Cl.** **19-04**
- (52) **U.S. Cl.**
USPC **D19/26**
- (58) **Field of Classification Search**
USPC D19/6, 26–28, 31–34
CPC . B42D 3/00; B42D 3/12; B42D 13/00; B42D 15/02; B42F 15/04; B42F 7/00; B42F 7/02; B42F 7/025; B42F 7/06; B42F 3/002; B42F 13/16; B42F 13/40; B42F 13/406
See application file for complete search history.

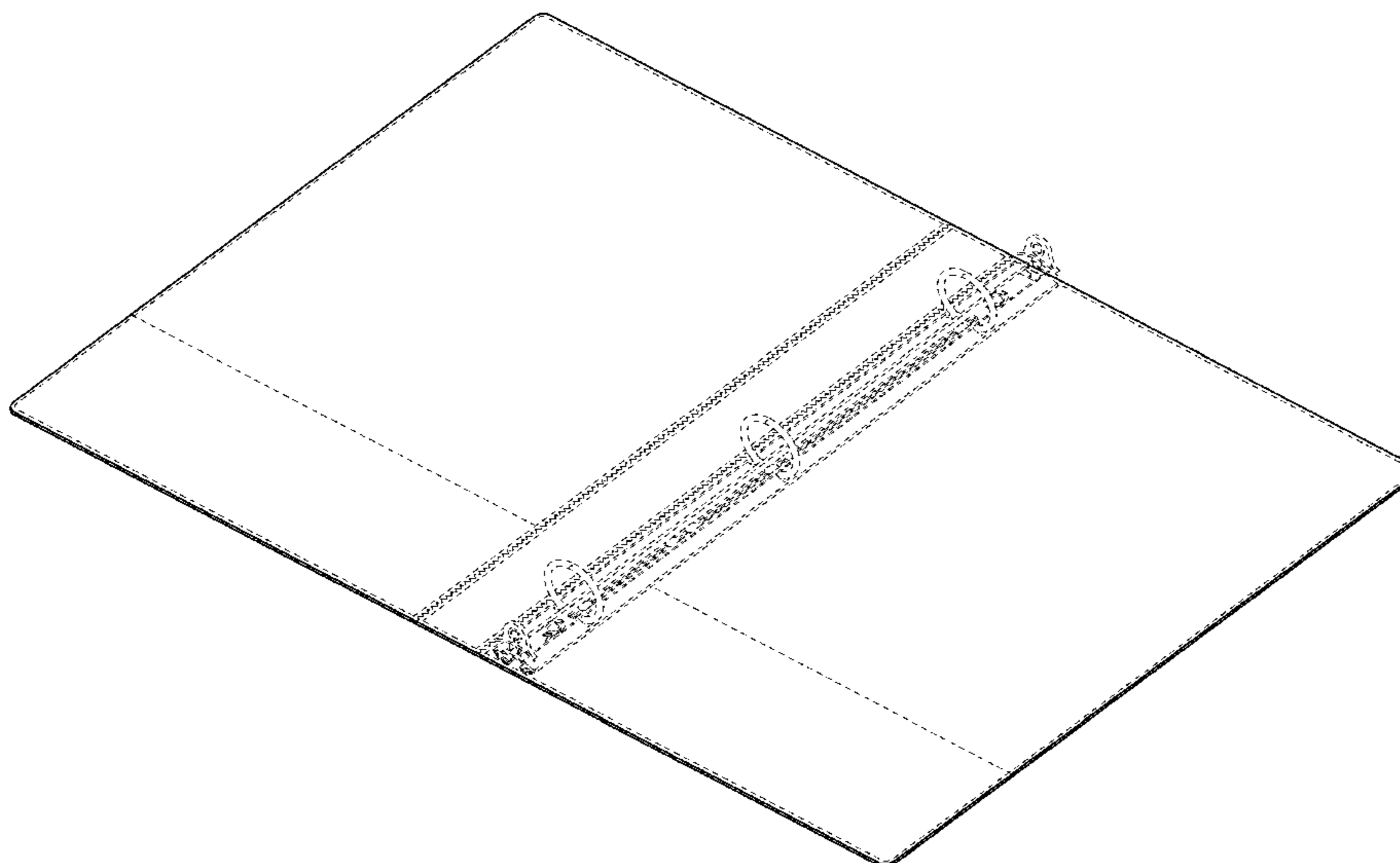
DESCRIPTION

FIG. 1 is a perspective view of a binder showing my new design;
FIG. 2 is a top view thereof;
FIG. 3 is a bottom view thereof;
FIG. 4 is a first side view thereof;
FIG. 5 is a second side view thereof;
FIG. 6 is a first end view thereof;
FIG. 7 is a second end view thereof;
FIG. 8 is a perspective view of a second embodiment of a binder showing my new design;
FIG. 9 is a top view thereof;
FIG. 10 is a bottom view thereof;
FIG. 11 is a first side view thereof;
FIG. 12 is a second side view thereof;
FIG. 13 is a first end view thereof; and,
FIG. 14 is a second end view thereof.
The broken lines in the figures are included for the purpose of illustrating portions of a binder and form no part of the claimed design.

(56) **References Cited**
U.S. PATENT DOCUMENTS

- 424,241 A * 3/1890 Wolf B42F 13/002
281/37
- 1,972,048 A * 8/1934 Rennie B42F 13/002
281/37

1 Claim, 10 Drawing Sheets



(56)

References Cited

U.S. PATENT DOCUMENTS

5,876,143 A * 3/1999 Ong B42F 13/0053
281/29
5,984,560 A * 11/1999 Bedol B42F 13/406
281/30
6,213,516 B1 * 4/2001 Ong B42F 13/0006
281/29
6,361,236 B1 * 3/2002 Podosek B42F 13/0006
281/15.1
6,902,340 B2 * 6/2005 Harris, Jr. B42F 13/0006
281/15.1
D564,021 S * 3/2008 Liu D19/32
D566,172 S * 4/2008 Gonzalez D19/26
D667,496 S * 9/2012 Menchine D19/32
D681,730 S * 5/2013 Bindra B42F 13/0006
D19/27
D719,215 S * 12/2014 Kim B42F 13/0006
D19/32
D730,983 S * 6/2015 Loree B42F 13/406
D19/27
D757,174 S * 5/2016 Rowe B42F 13/0053
D19/27
D772,569 S * 11/2016 Tappeiner D3/247

D811,476 S * 2/2018 Lusk B42F 13/16
281/15.1
D845,389 S * 4/2019 Chui B42C 7/00
428/130
10,328,741 B2 * 6/2019 Loree B42F 7/02
10,507,682 B2 * 12/2019 Sada B42F 13/22
2008/0226385 A1 * 9/2008 Ruble B42F 13/0073
402/75
2012/0080876 A1 * 4/2012 Bowers B42F 13/006
281/36
2013/0061447 A1 * 3/2013 Pigg, Jr. B42F 13/002
29/428
2014/0126950 A1 * 5/2014 Loree B42F 13/0013
402/70

OTHER PUBLICATIONS

“Technology Tutorial: Making Binder Covers & Spines.” The learning Effect blog screen captured by the Internet Archive on Oct. 18, 2012. Accessed on Jul. 28, 2020. (Year: 2012).*
“One-touch EZD Heavy-Duty Binder” by Avery. Sold on OfficeDepot.com Aug. 27, 2020 (Year: 2020).*
“One-touch EZD Heavy-Duty Binder” by Avery. Feb. 13, 2013. Sold on OfficeDepot.com Feb. 13, 2021 (Year: 2010).*

* cited by examiner

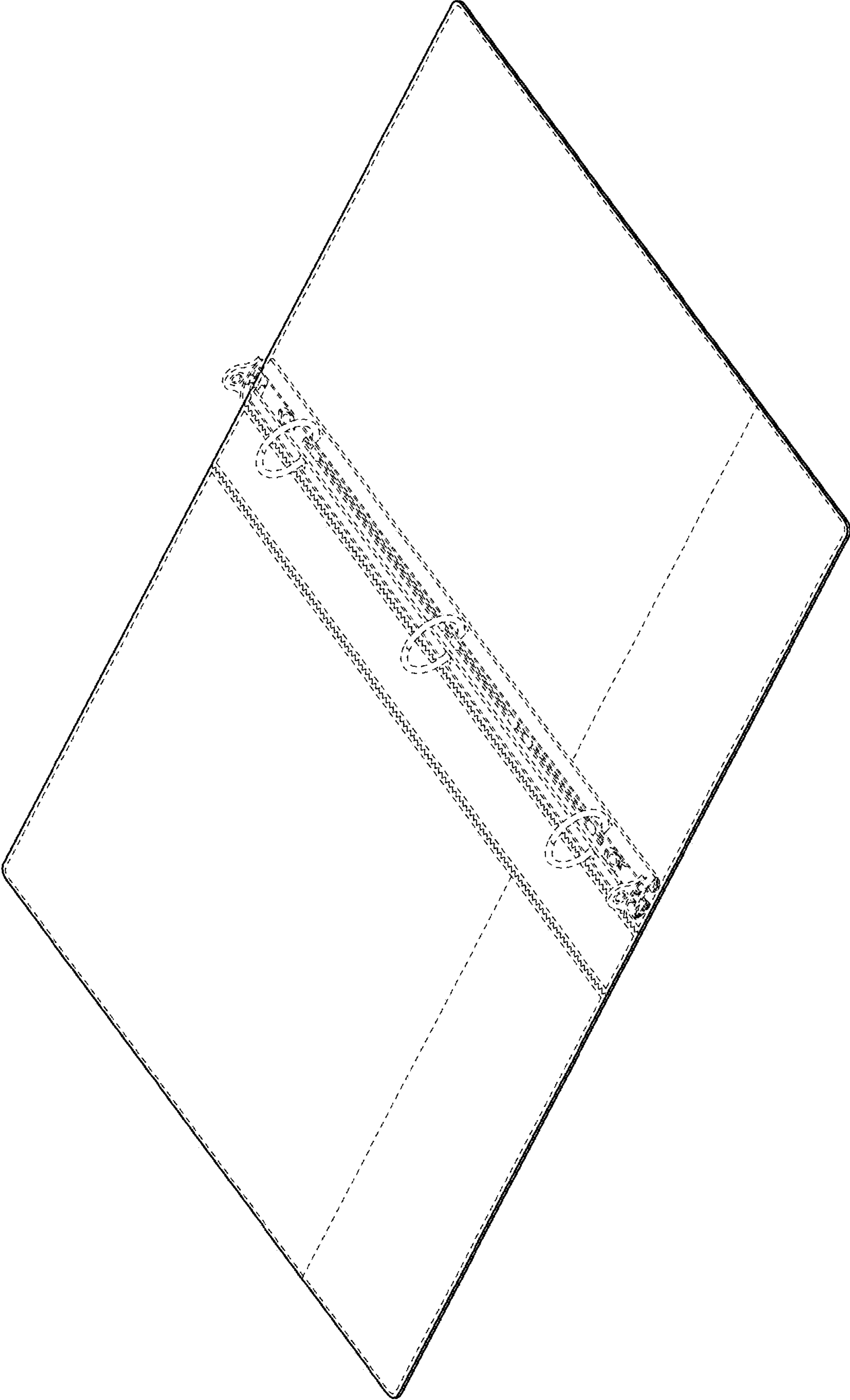


FIG. 1

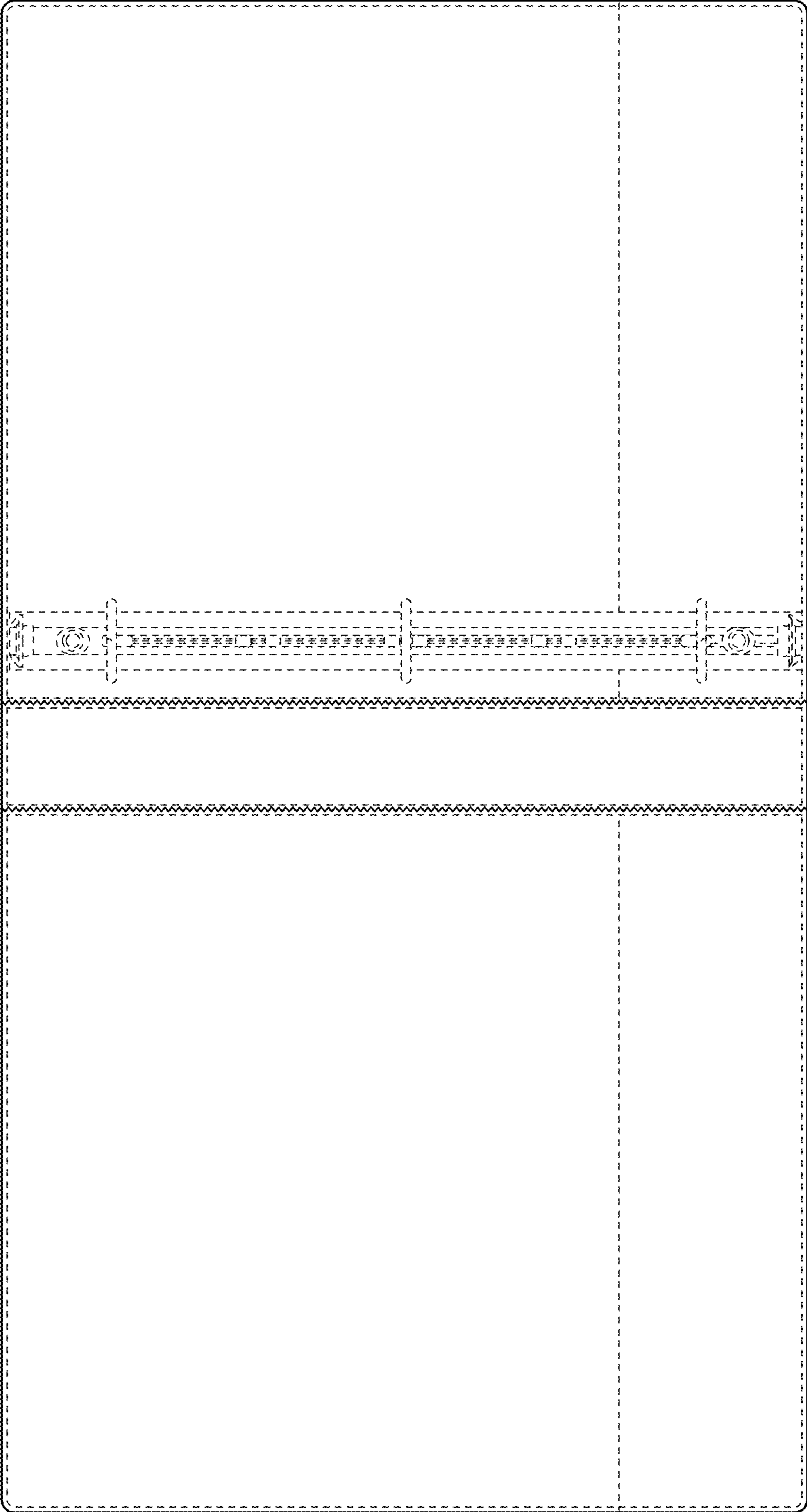


FIG. 2

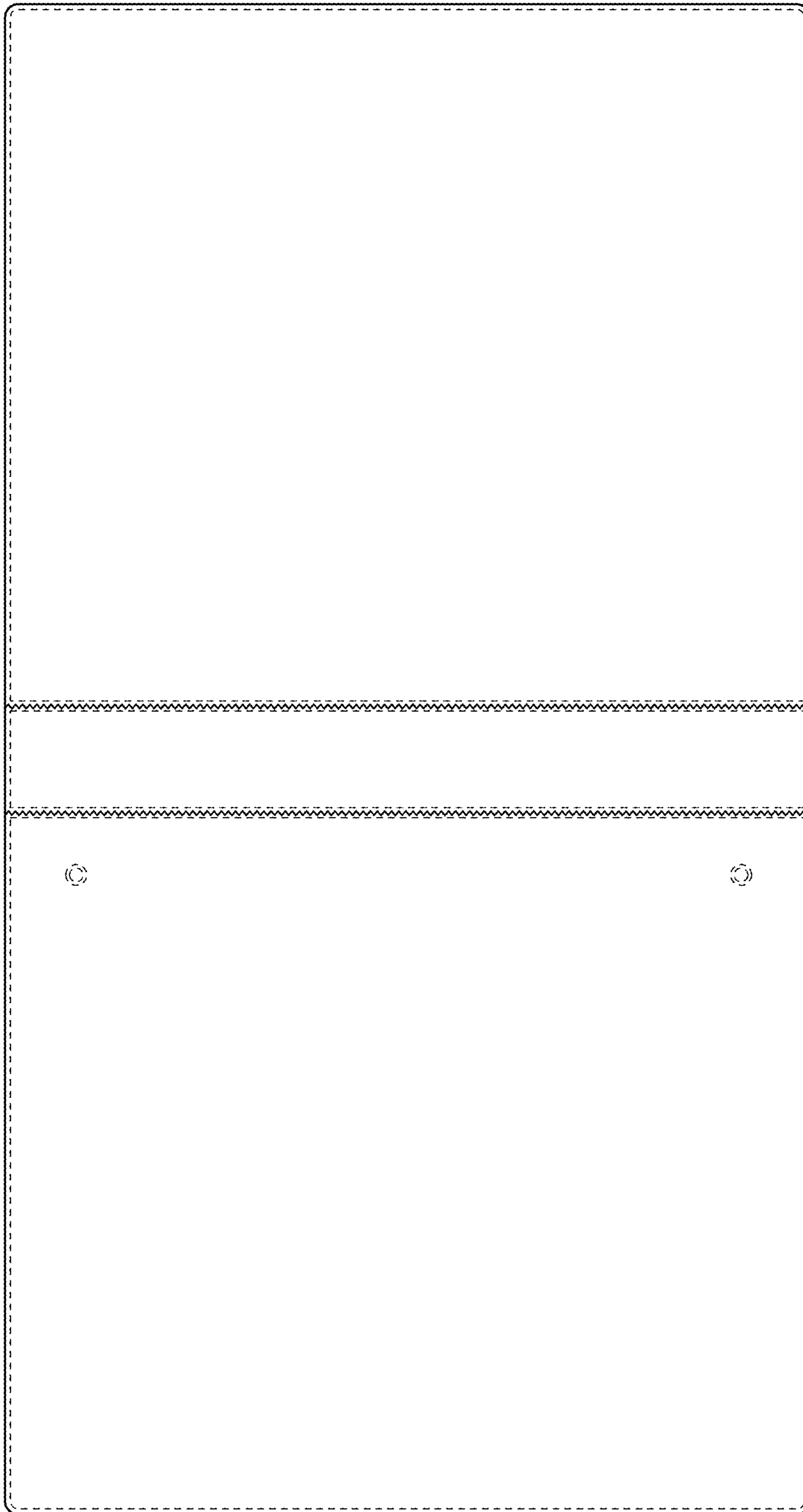


FIG. 3

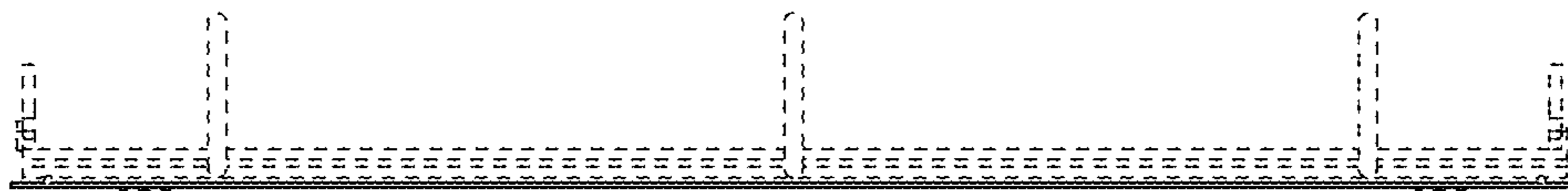


FIG. 4

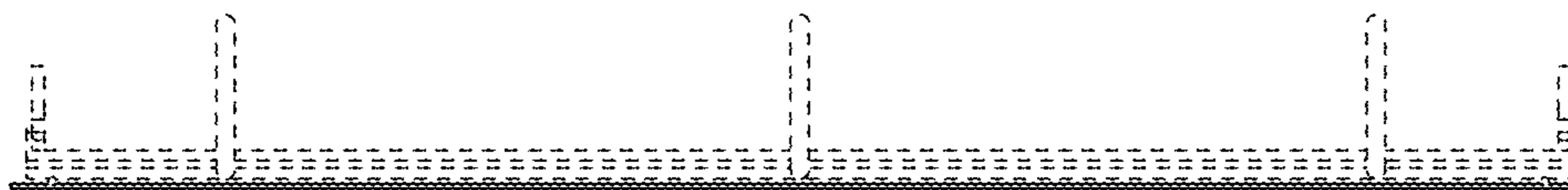


FIG. 5



FIG. 6



FIG. 7

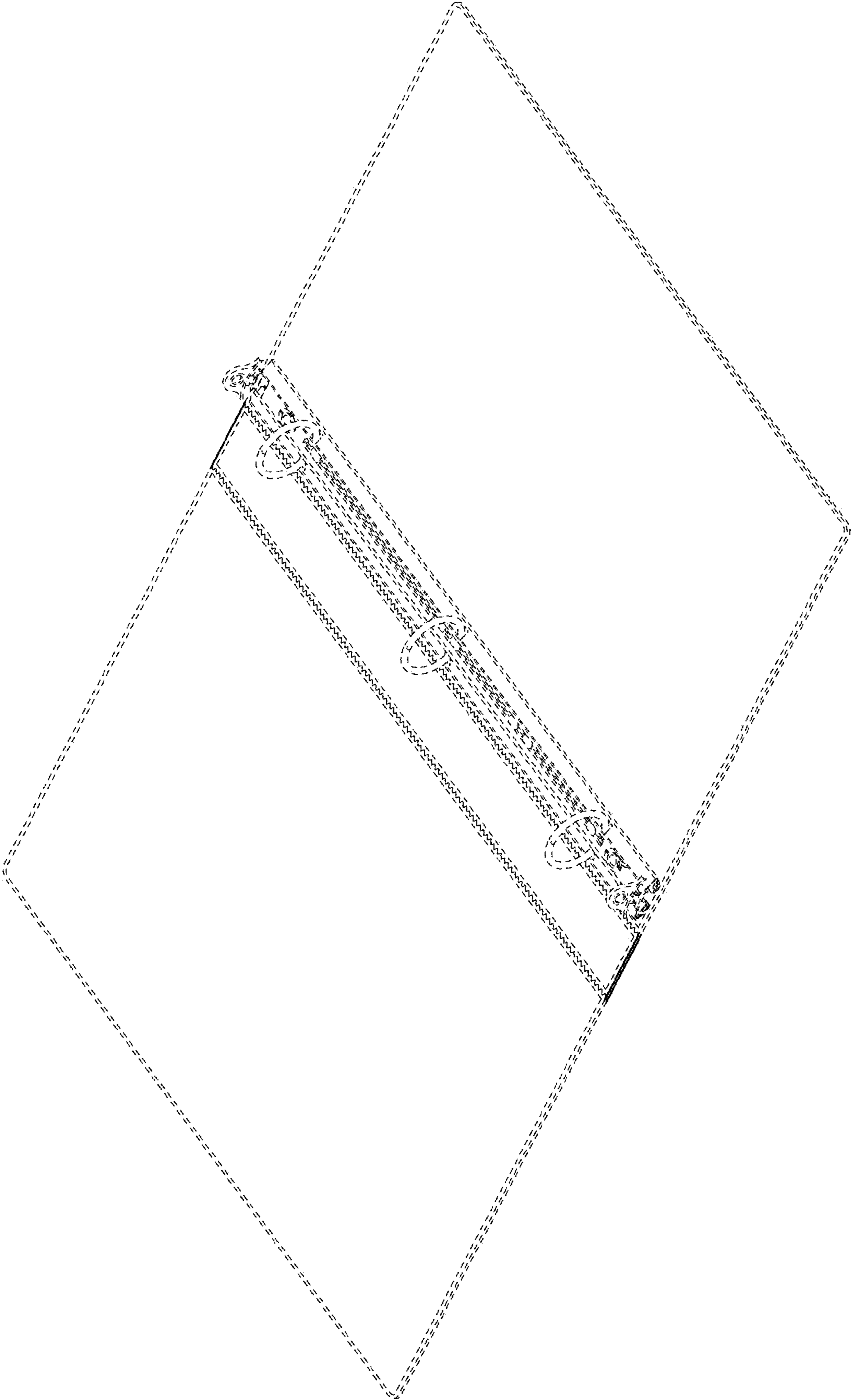


FIG. 8

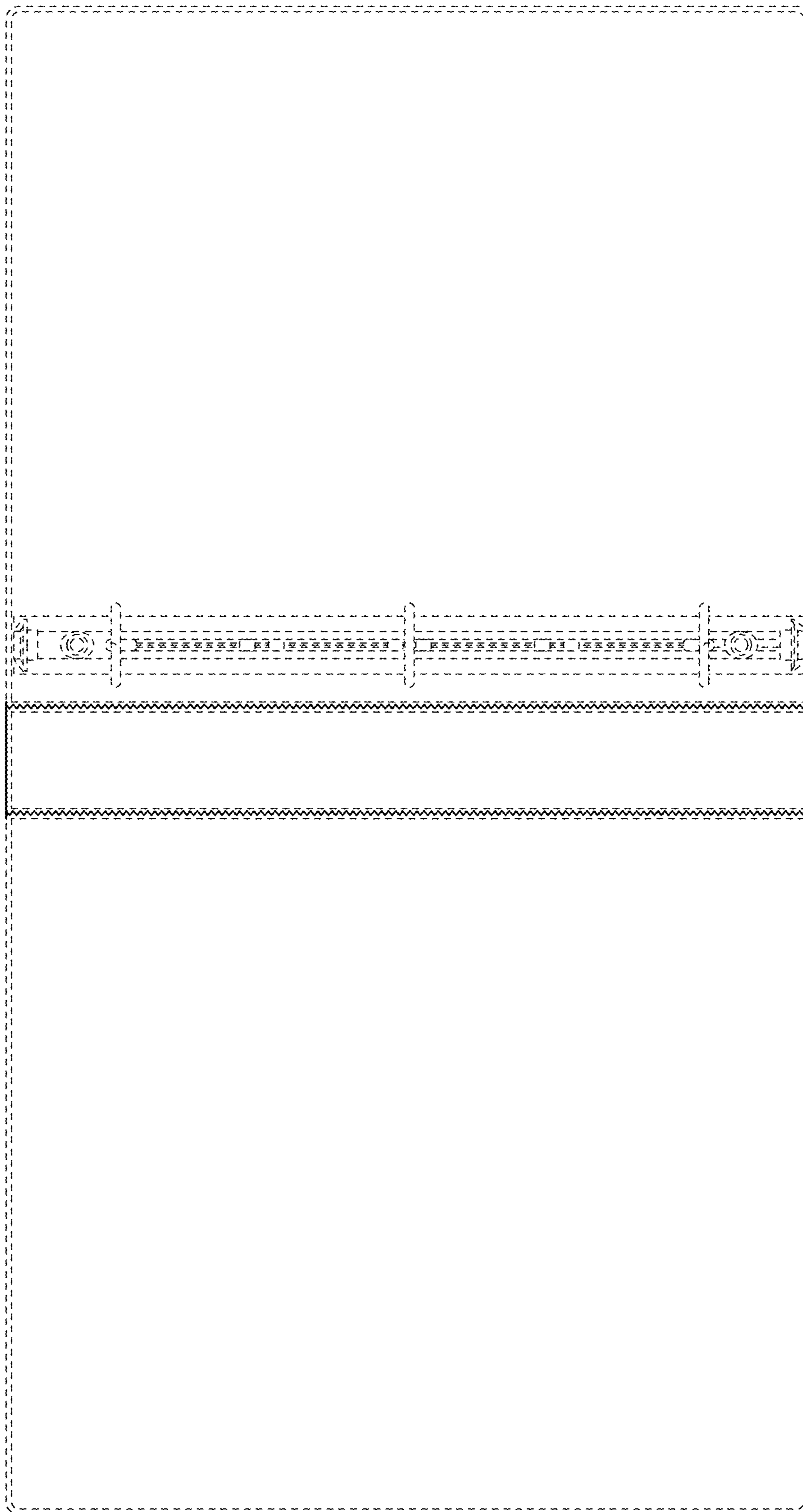


FIG. 9

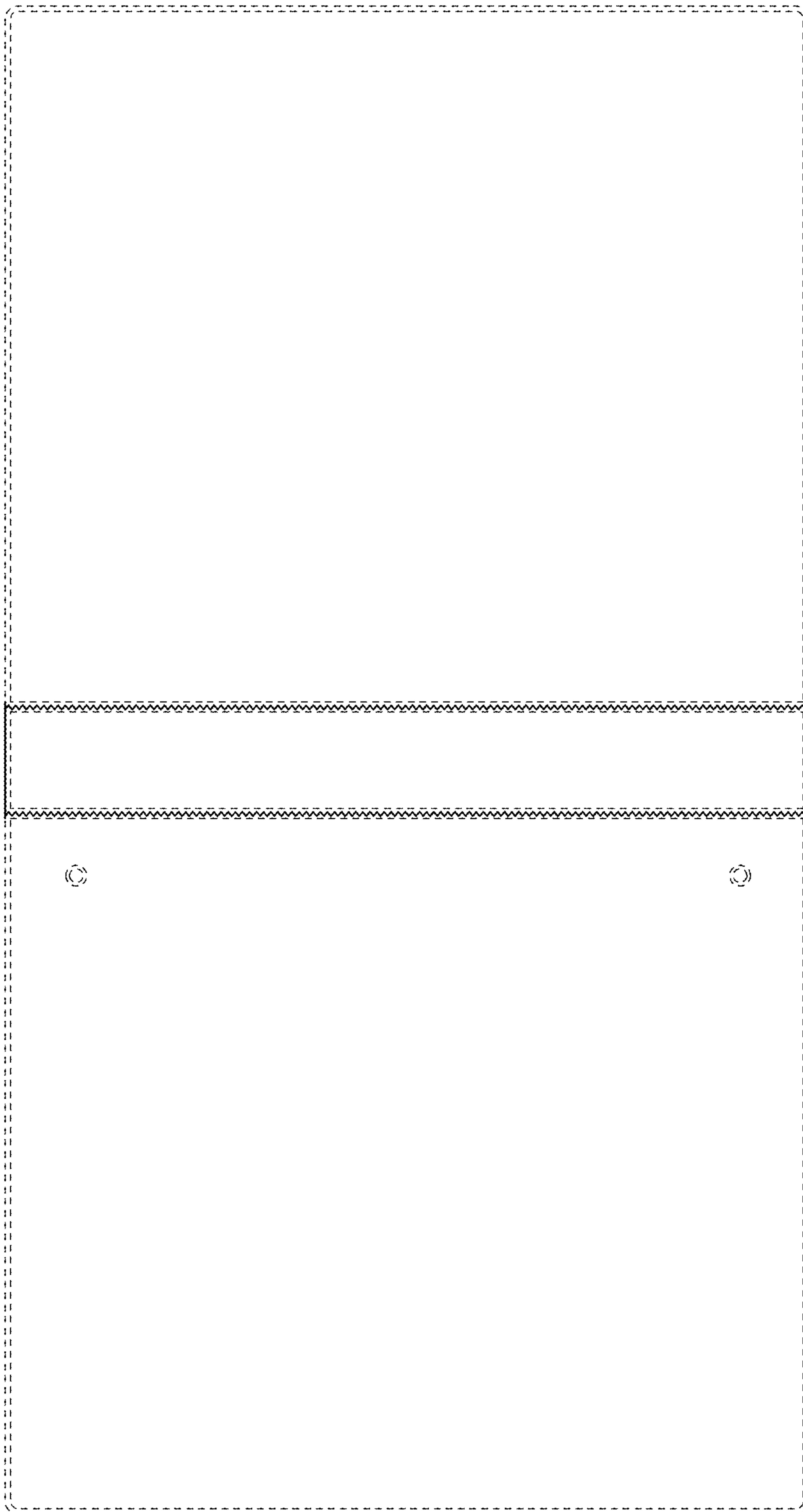


FIG. 10

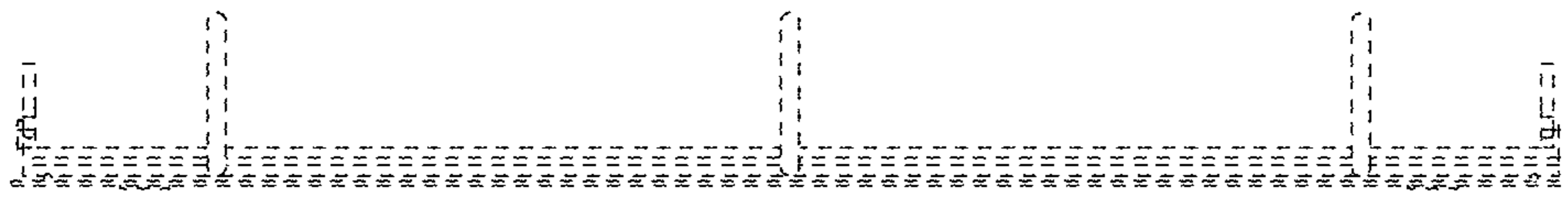


FIG. 11

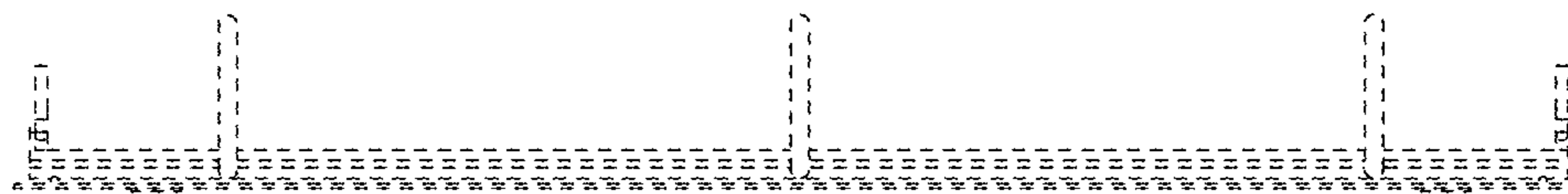


FIG. 12



FIG. 13

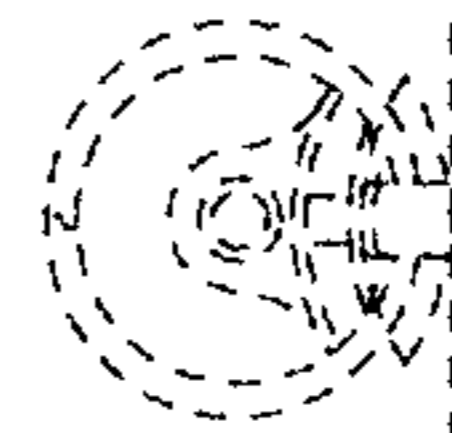


FIG. 14