



US00D946076S

(12) **United States Design Patent**
Zhou

(10) **Patent No.:** **US D946,076 S**

(45) **Date of Patent:** **** Mar. 15, 2022**

(54) **TRIPOD**

(71) Applicant: **Fengyu Zhou, Yueyang (CN)**

(72) Inventor: **Fengyu Zhou, Yueyang (CN)**

(**) Term: **15 Years**

(21) Appl. No.: **29/775,938**

(22) Filed: **Mar. 26, 2021**

(51) **LOC (13) Cl.** **16-05**

(52) **U.S. Cl.**
USPC **D16/244**

(58) **Field of Classification Search**
USPC D16/208–209, 219, 221, 225, 229,
D16/237–250; D8/354, 355, 363, 373;
D14/224, 229, 238, 251, 253, 447, 451,
D14/457

CPC A45F 5/00; A45F 5/10; A45F
2200/0508–0533; F16M 11/06–10; F16M
11/14; G02B 7/00–002; G02B 25/00;
G03B 17/56; G03B 17/561–566; G03B
21/10–116; H04N 5/2253–2254

See application file for complete search history.

(56) **References Cited**

U.S. PATENT DOCUMENTS

D607,036 S *	12/2009	Darrow	D16/242
D607,917 S *	1/2010	Darrow	D16/244
10,139,039 B1 *	11/2018	Reed	F16M 11/28
D840,464 S	2/2019	Balmer		
D843,435 S *	3/2019	Balmer	D16/244
D870,800 S *	12/2019	Xu	D16/244
D881,981 S	4/2020	Li		
10,718,464 B2 *	7/2020	Li	F16M 11/10
D902,987 S *	11/2020	Liu	D16/244
D915,494 S *	4/2021	Zeng	D16/244
D917,605 S *	4/2021	Shen	D16/244

2003/0234327 A1 *	12/2003	Nakatani	F16M 11/16 248/177.1
2015/0358044 A1 *	12/2015	Barstead	H04B 1/3888 455/575.1
2018/0266625 A1 *	9/2018	Balmer	G03B 17/561

OTHER PUBLICATIONS

Xenvo SquidGrip Flexible Cell Phone Tripod. [online] Published on Mar. 13, 2017. Retrieved Dec. 15, 2021 from URL: <https://www.amazon.com/dp/B06XKX4DPJ/> (Year: 2017).*

(Continued)

Primary Examiner — Vy N Koenig

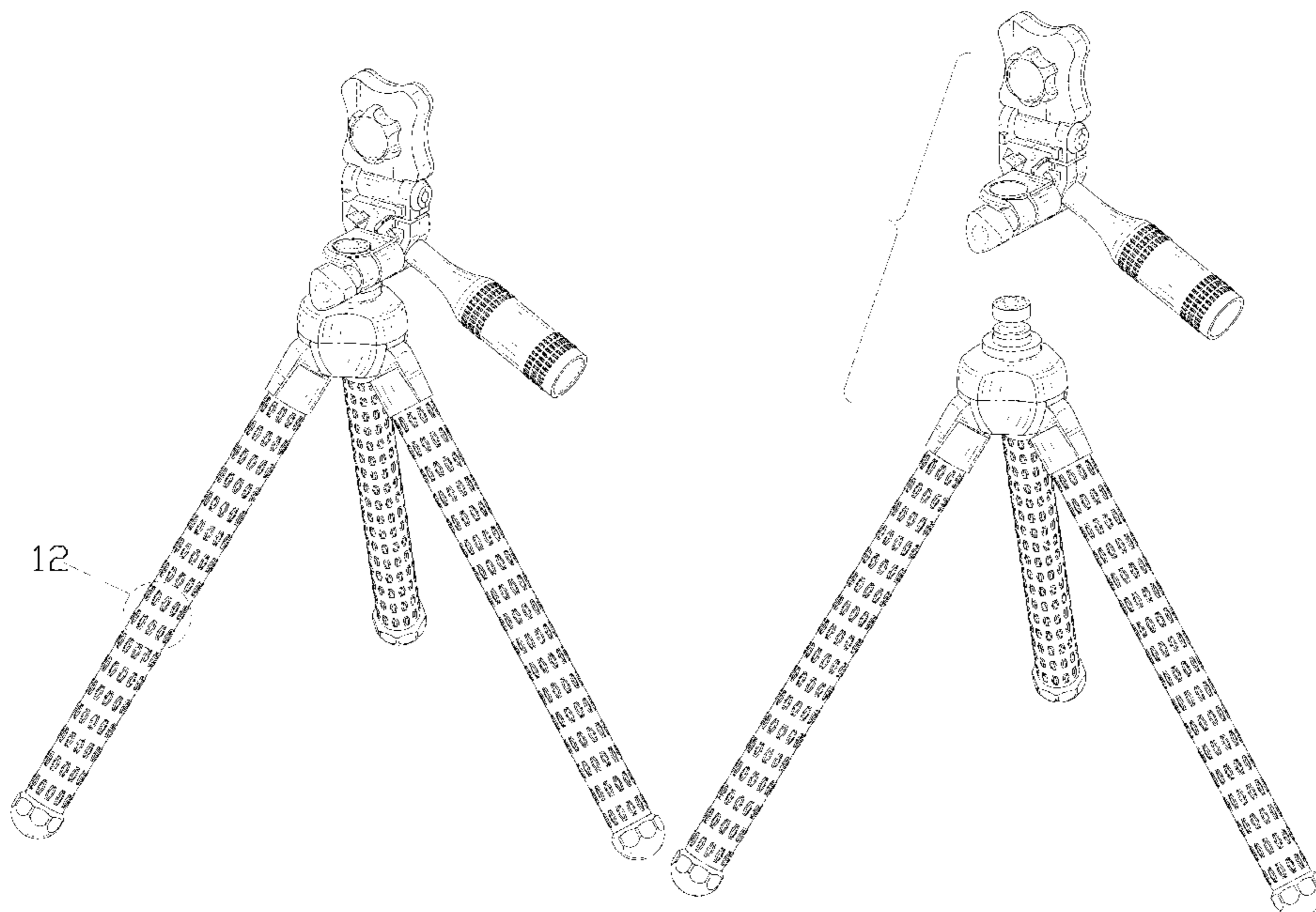
(57) **CLAIM**

The ornamental design for a tripod, as shown and described.

DESCRIPTION

FIG. 1 is a perspective view of a tripod showing my new design;
 FIG. 2 is another perspective view thereof;
 FIG. 3 is a front elevational view thereof;
 FIG. 4 is a rear elevational view thereof;
 FIG. 5 is a left side elevational view thereof;
 FIG. 6 is a right side elevational view thereof;
 FIG. 7 is a top plan view thereof;
 FIG. 8 is a bottom plan view thereof;
 FIG. 9 is a perspective view of the tripod where the tripod is in a first configuration of use;
 FIG. 10 is an exploded perspective view of the tripod;
 FIG. 11 is a perspective view of the tripod where the tripod is in a second configuration of use;
 FIG. 12 is an enlarged view of portion 12 shown in FIG. 1; and,
 FIG. 13 is an enlarged view of portion 13 shown in FIG. 2.
 The broken lines in the drawings depict portions of the tripod that form no part of the claimed design.

1 Claim, 13 Drawing Sheets



(56)

References Cited

OTHER PUBLICATIONS

Portable Cell Phone Camera Tripod Stand with Wireless Remote. [online] Published on Sep. 27, 2018. Retrieved Dec. 15, 2021 from URL: <https://www.amazon.com/Flexible-Adjustable-Wireless-Universal-Rotating/dp/B07HR5T8ZD/> (Year: 2018).*

Phone Tripod LINKCOOL 360 Degree Rotation Flexible. [online] Published on Aug. 1, 2019. Retrieved Dec. 15, 2021 from URL:<https://www.amazon.com/LINKCOOL-Rotation-Foldable-Smartphone-Bluetooth/dp/B07W1X8Y8N/> (Year: 2019).*

Tripod Flexible Grip With Ball Head. [online] Retrieved Dec. 21, 2021 from URL: <https://www.shapewlb.com/tripod-flexible-grip-with-ball-head/> (Year: 2021).*

* cited by examiner

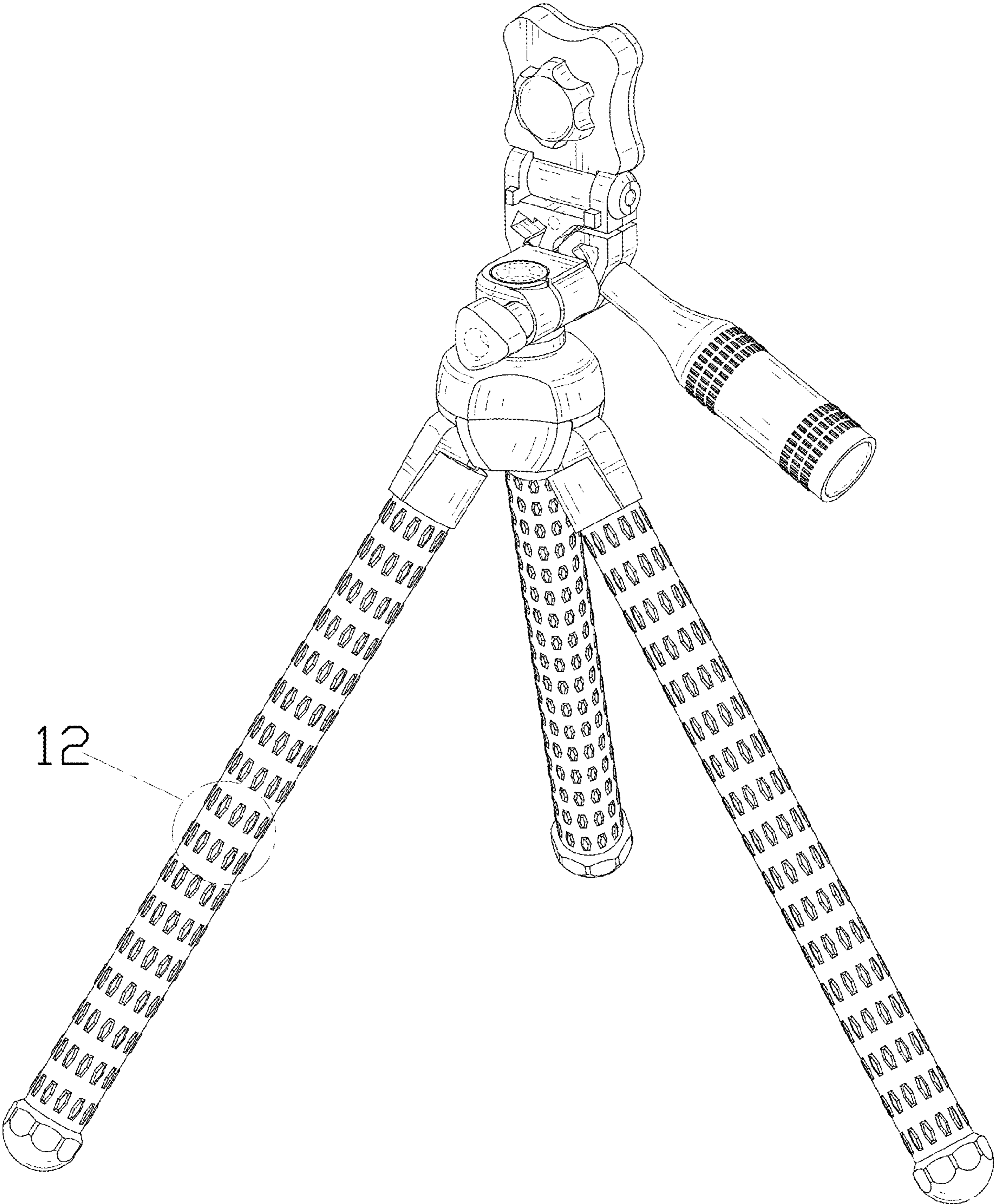


FIG. 1

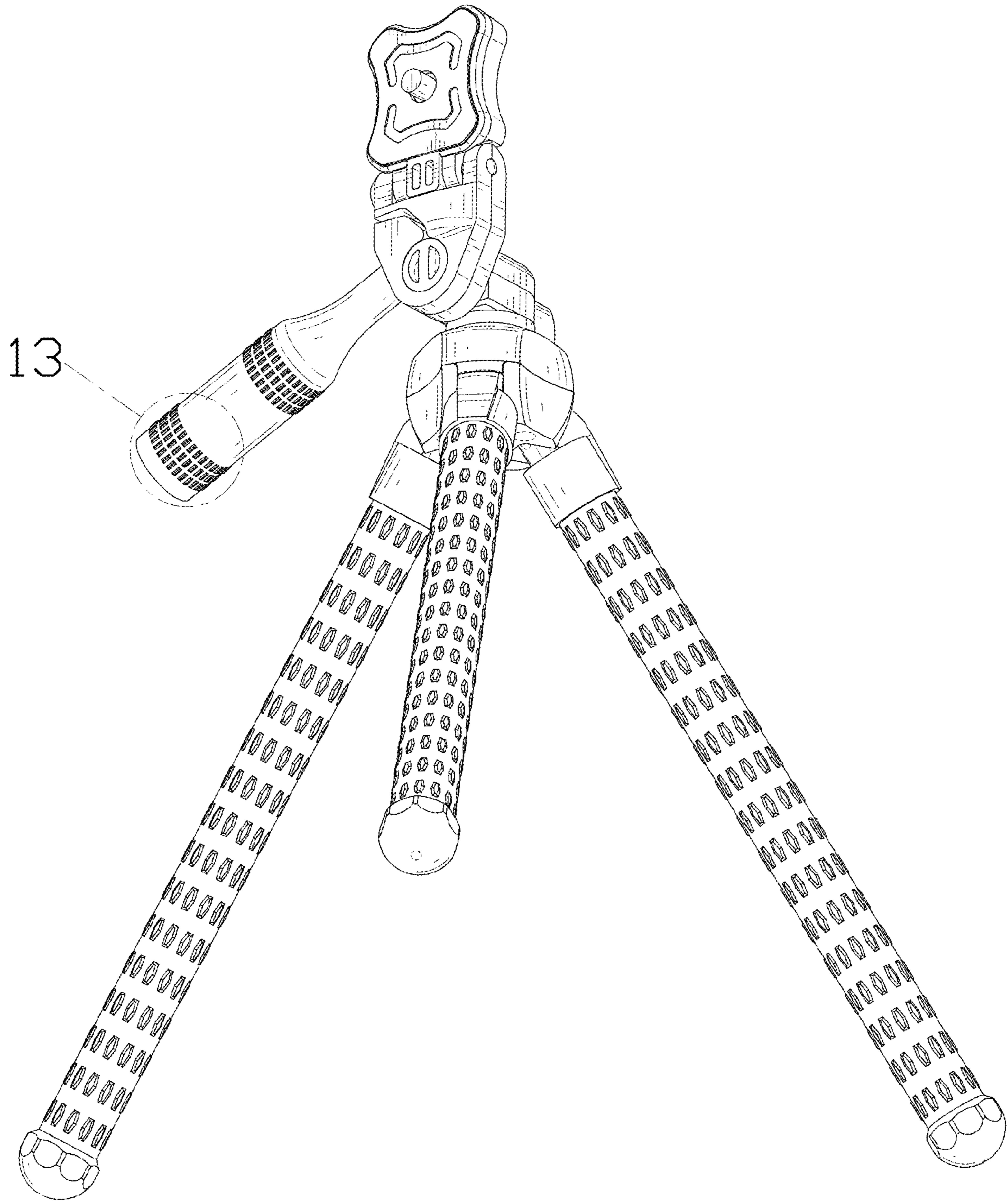


FIG. 2

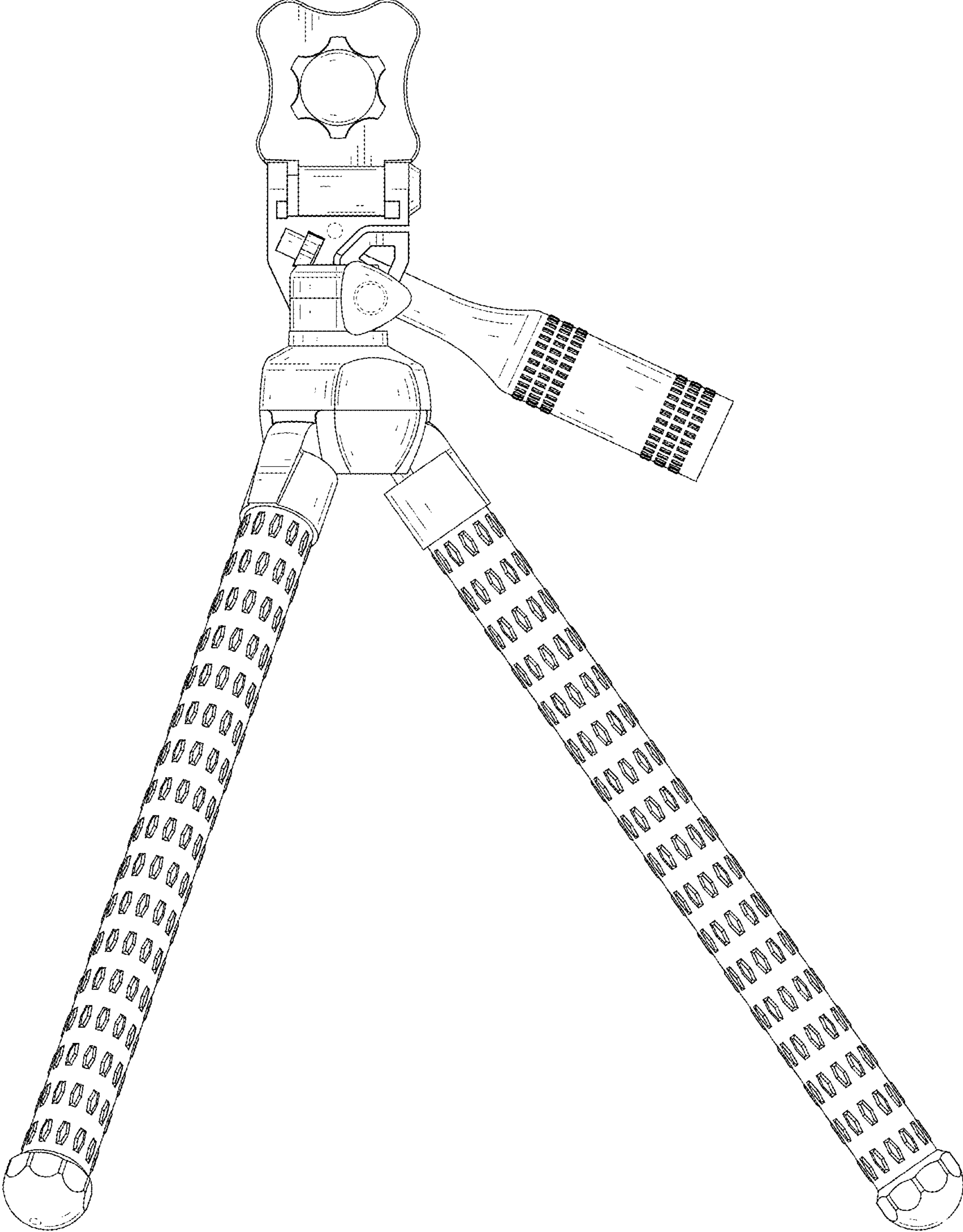


FIG. 3

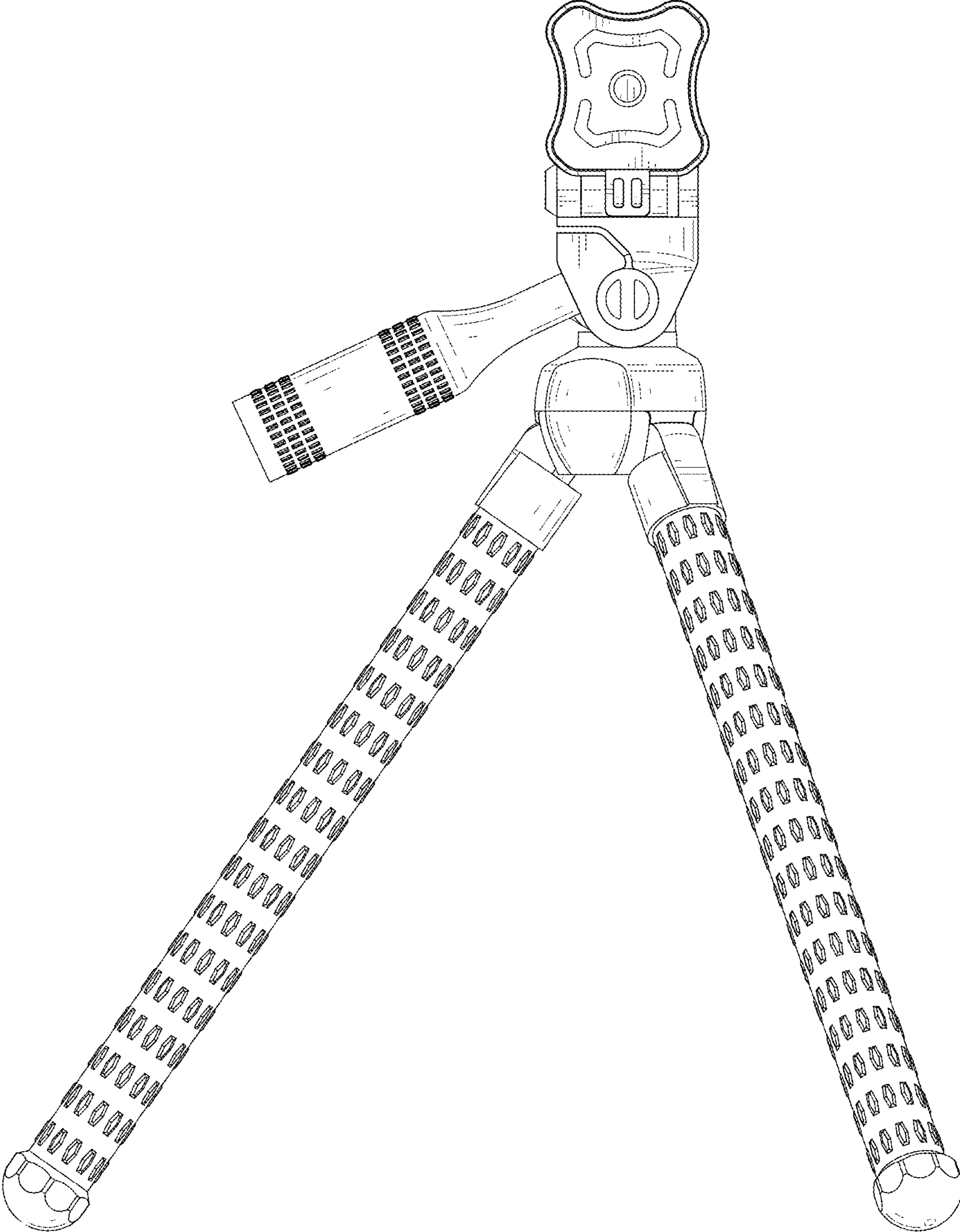


FIG. 4

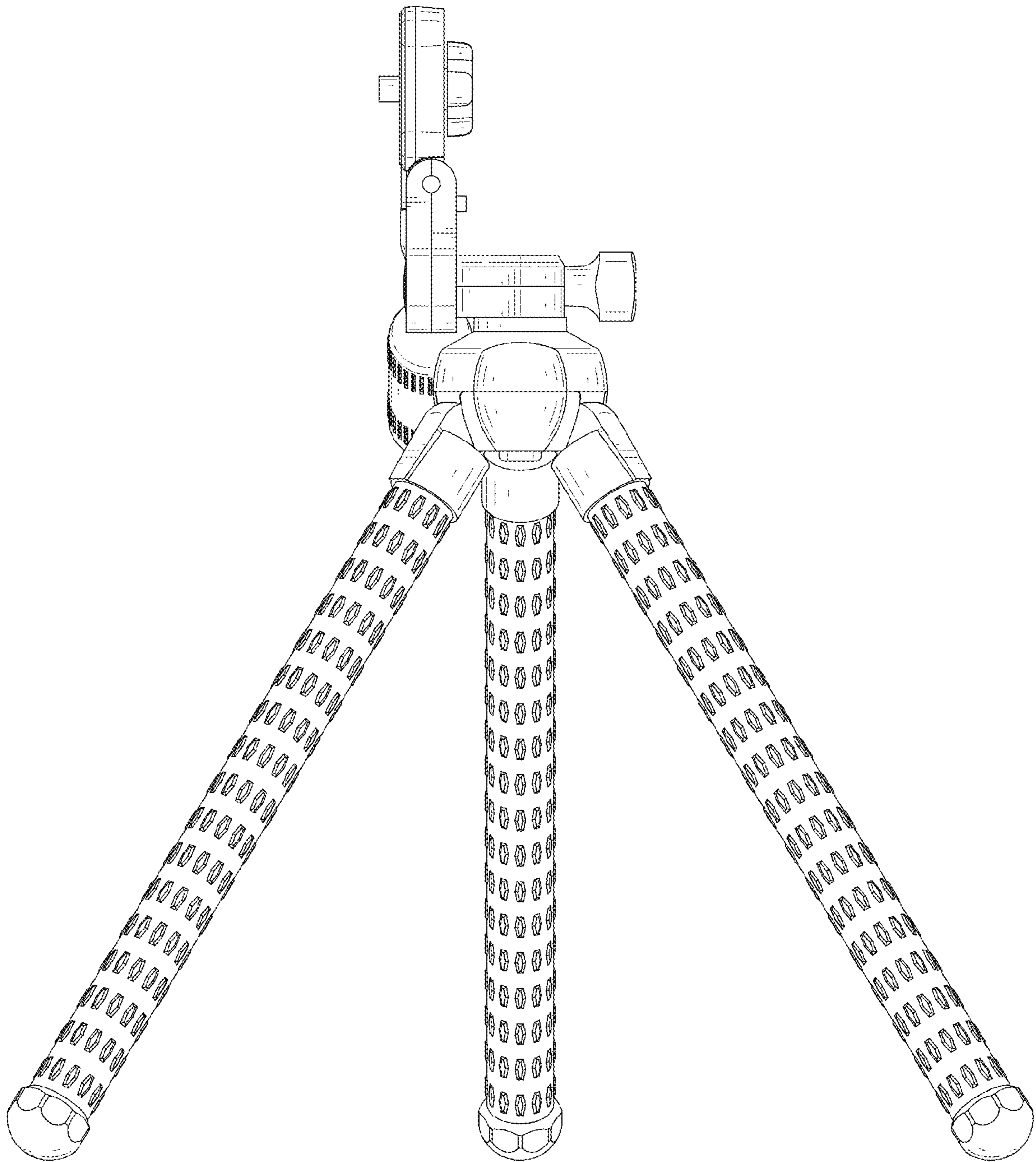


FIG. 5

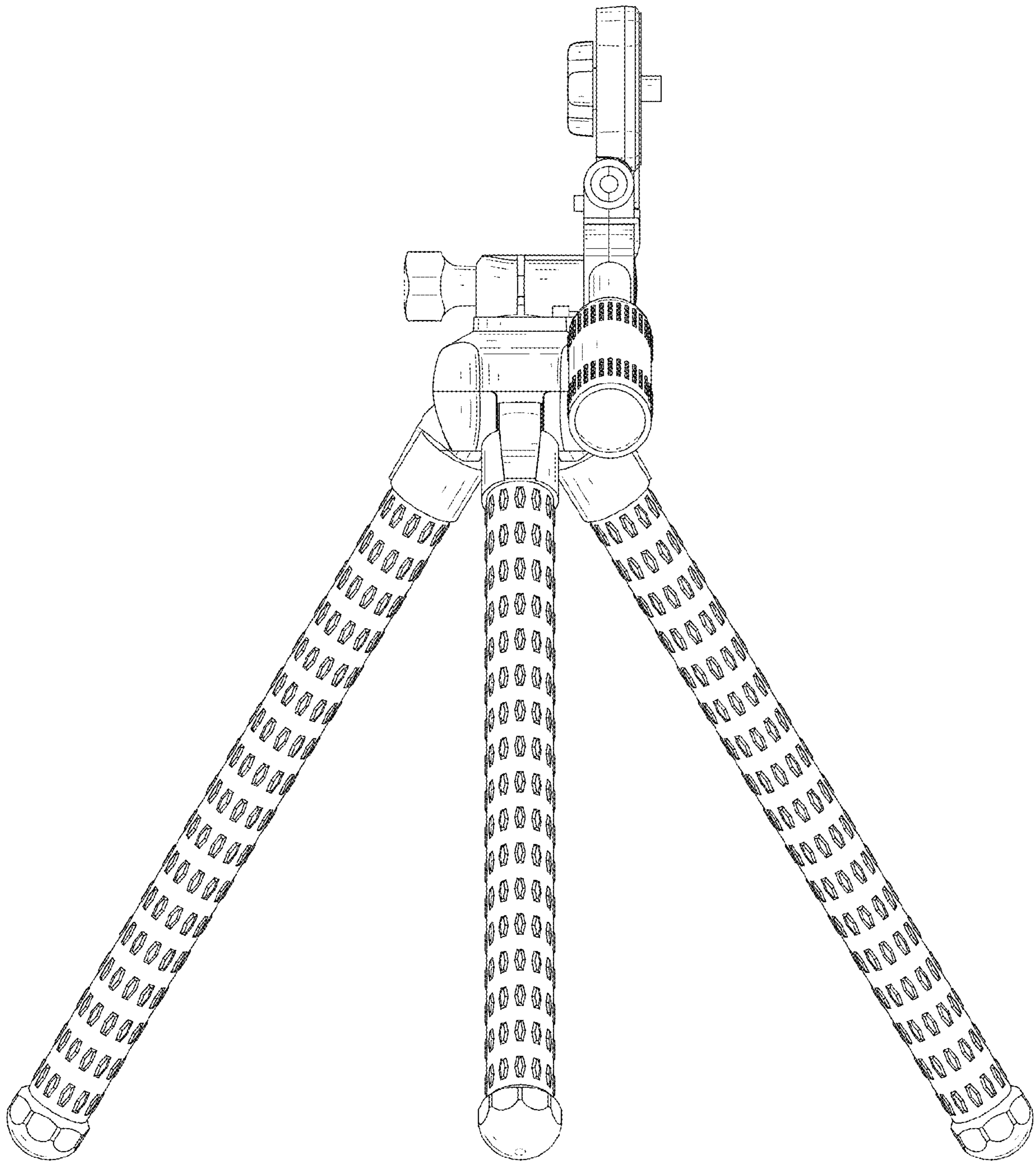


FIG. 6

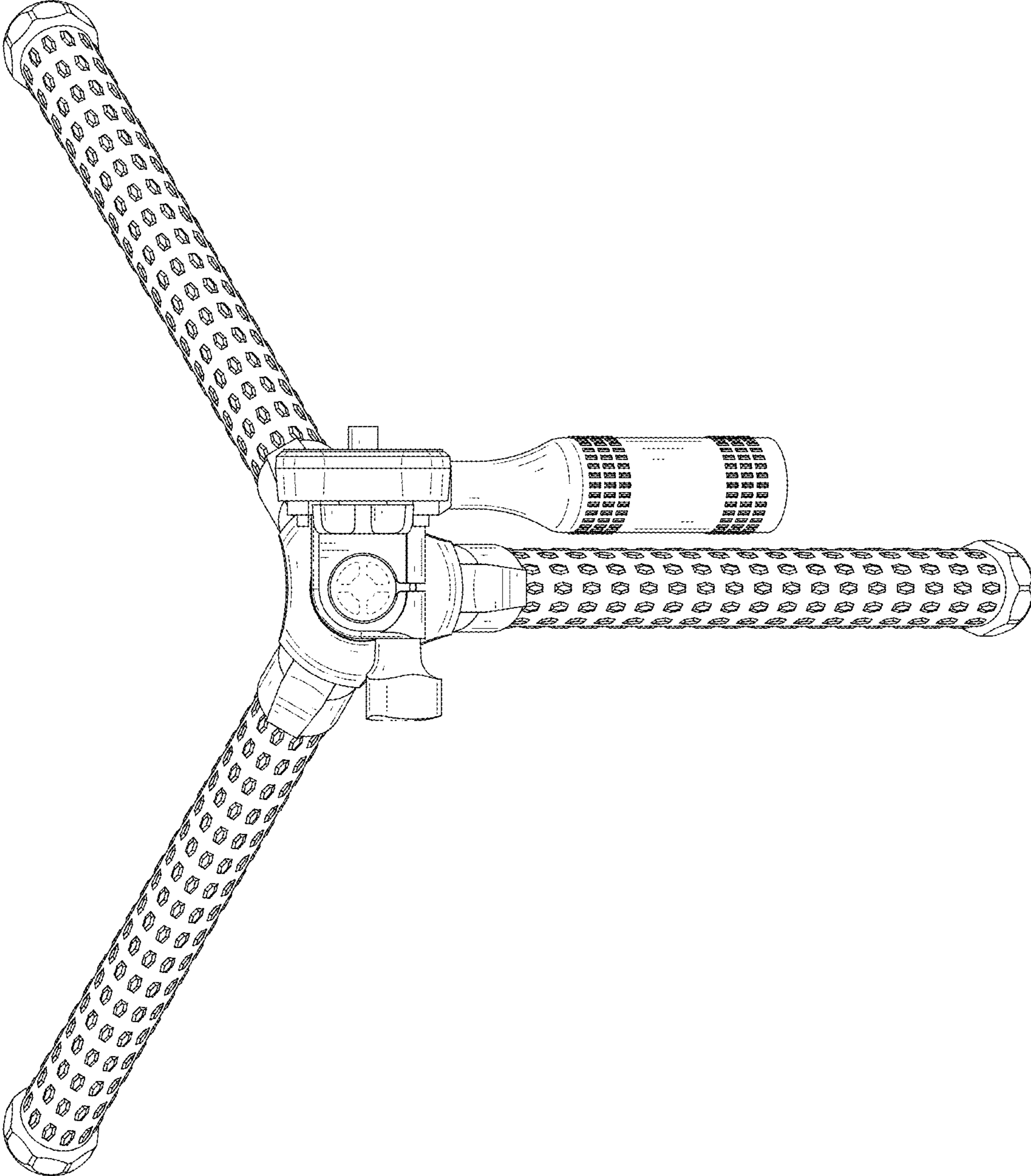


FIG. 7

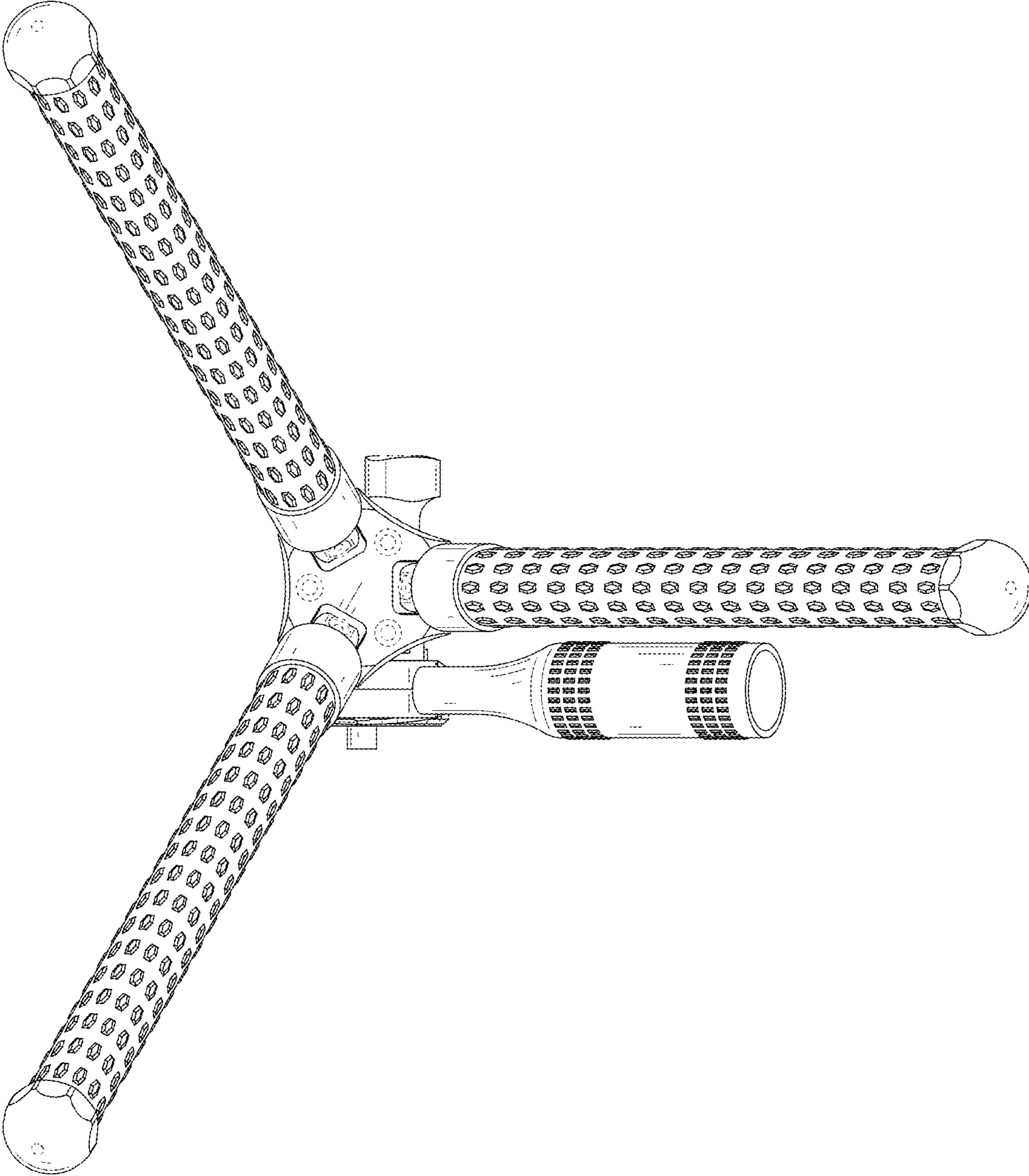


FIG. 8

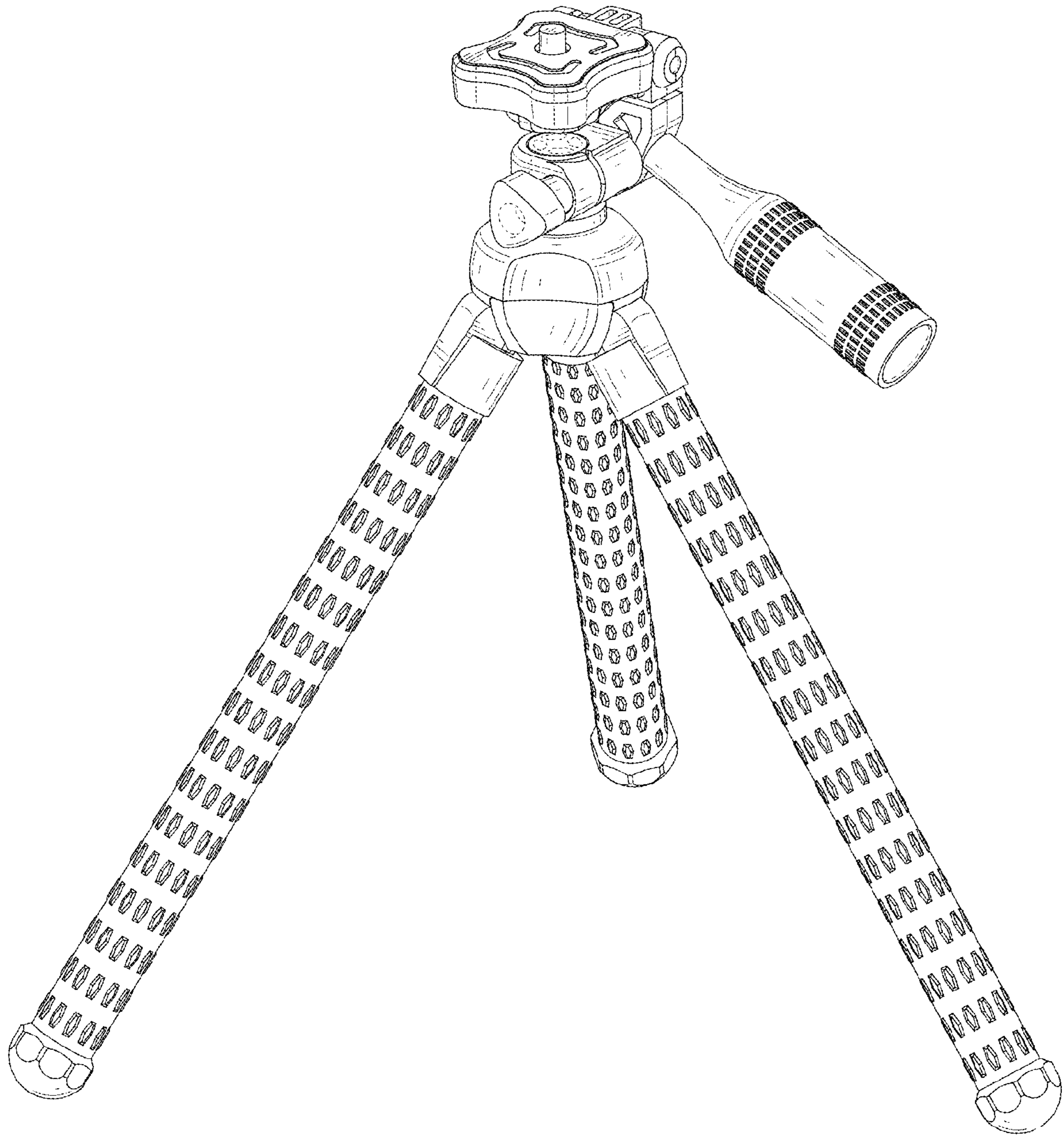


FIG. 9

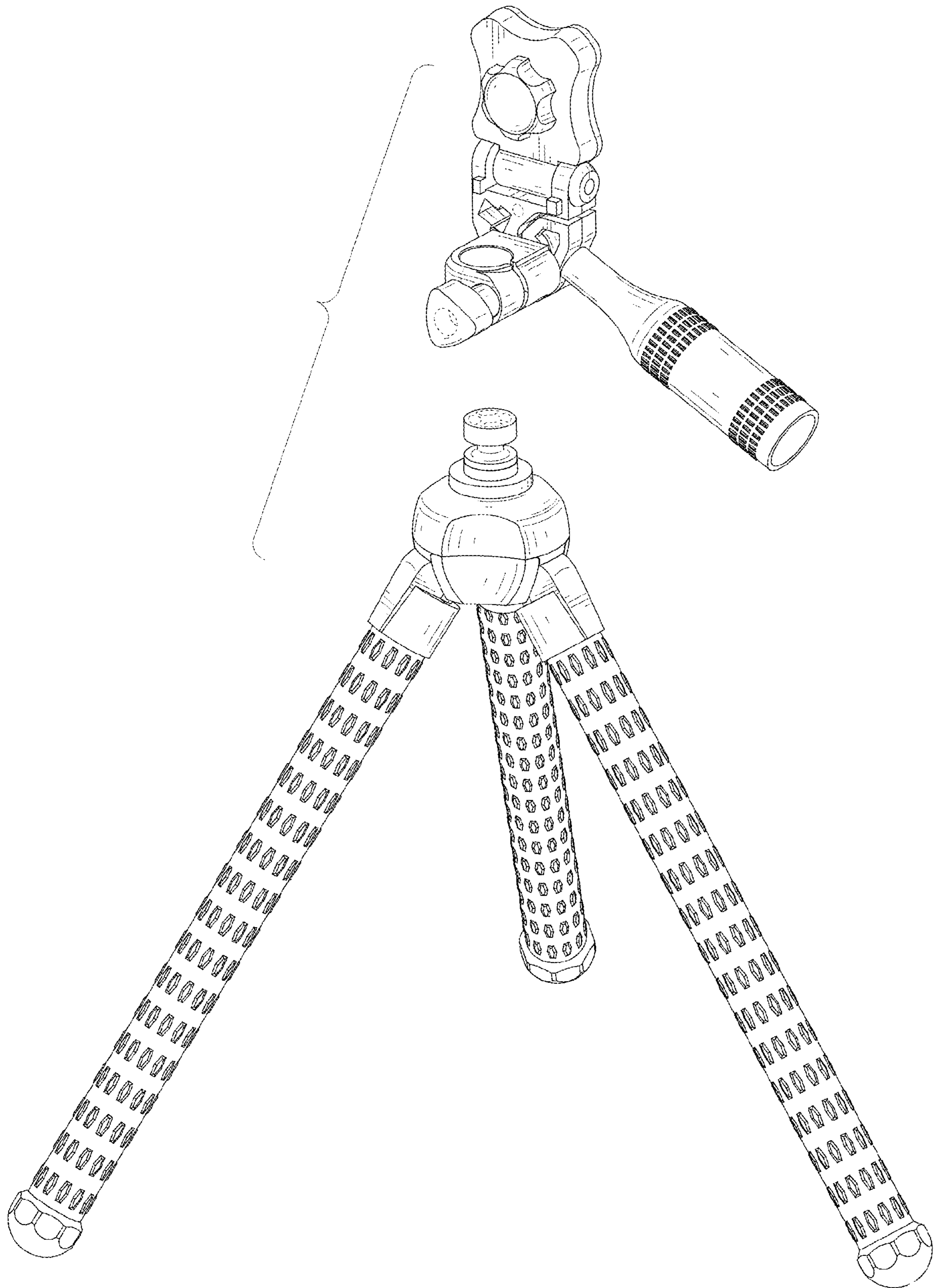


FIG. 10

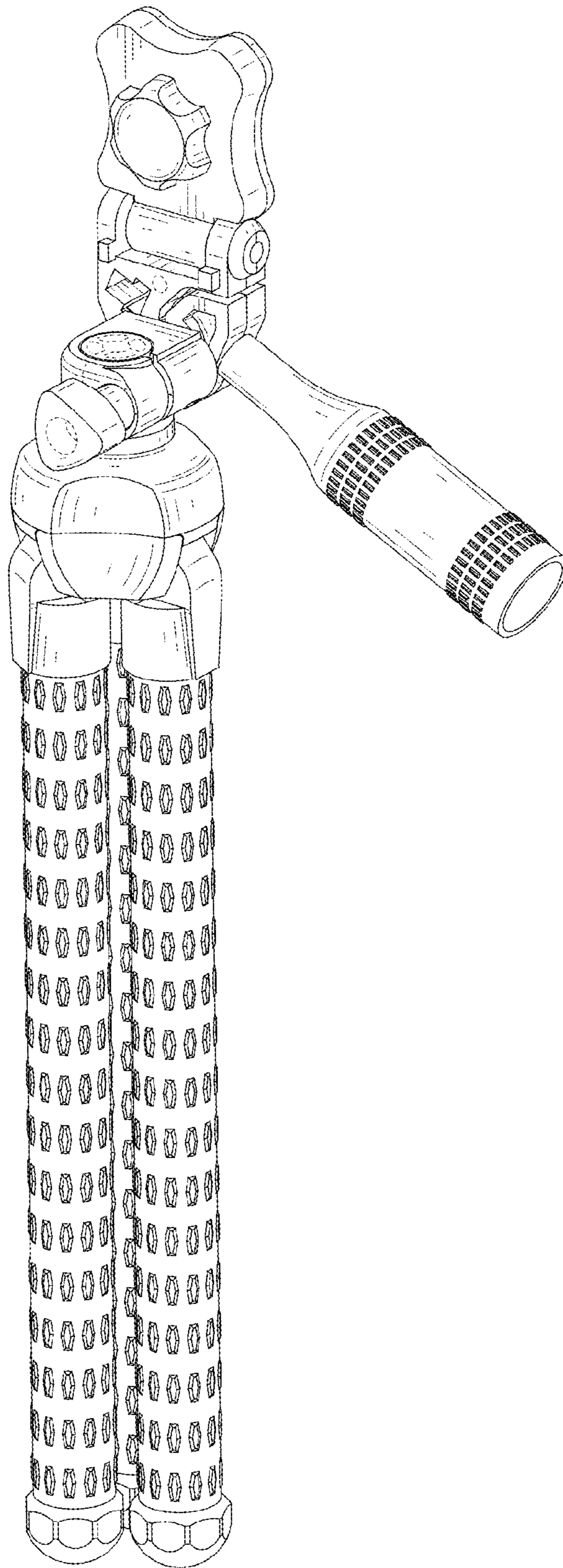


FIG. 11

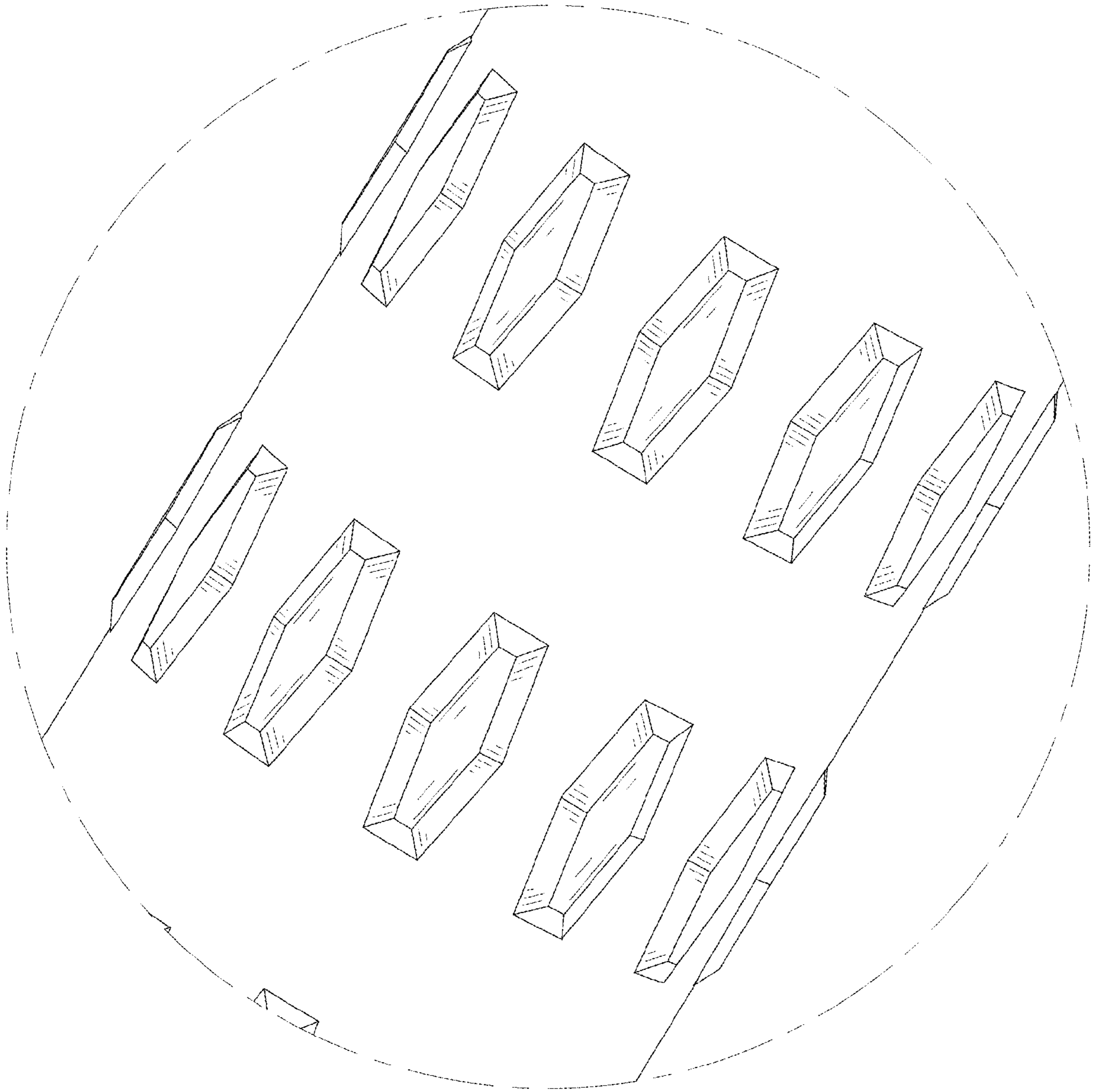


FIG. 12

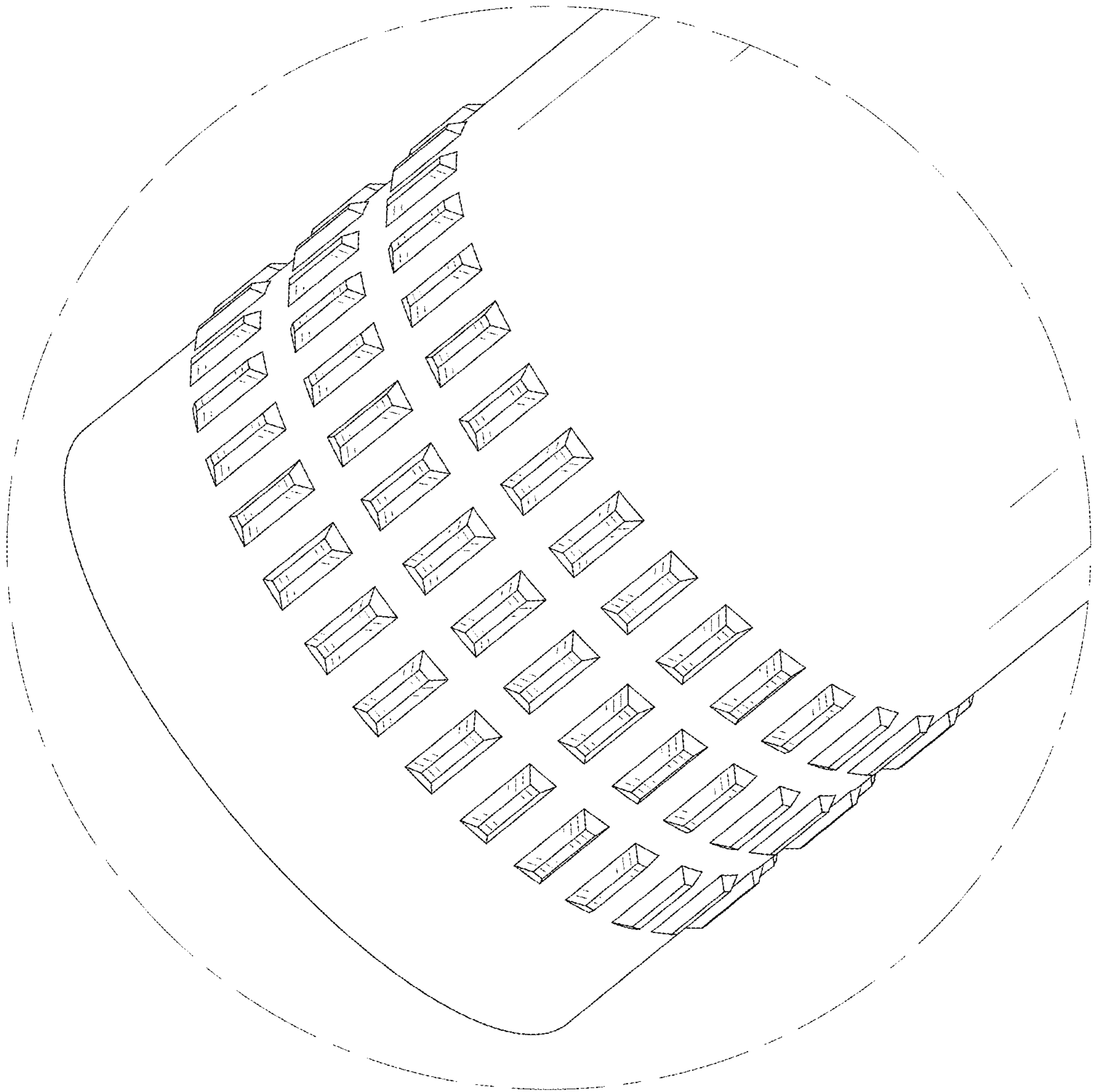


FIG. 13