



US00D946075S

(12) **United States Design Patent**  
**Muhlenkamp, IV et al.**

(10) **Patent No.:** **US D946,075 S**  
(45) **Date of Patent:** **\*\* Mar. 15, 2022**

- (54) **REMOTE CONTROL**
- (71) Applicant: **GoPro, Inc.**, San Mateo, CA (US)
- (72) Inventors: **John George Muhlenkamp, IV**,  
Brisbane, CA (US); **Scott Alberstein**,  
San Francisco, CA (US); **Daniel J. Coster**,  
San Francisco, CA (US); **Bessy Liang**,  
San Jose, CA (US)
- (73) Assignee: **GoPro, Inc.**, San Mateo, CA (US)
- (\*\*) Term: **15 Years**

D377,458 S	1/1997	Tsui	
D401,911 S *	12/1998	Hwang	D13/168
D405,424 S	2/1999	Winkler	
D468,274 S	1/2003	Novak	
D489,748 S *	5/2004	McKay	D16/237
D494,144 S	8/2004	Guzman	
D503,687 S	4/2005	Hoffman	
7,239,227 B1	7/2007	Gupta	
D556,701 S	12/2007	Nohara	
D558,790 S	1/2008	Yu	
D561,703 S	2/2008	Shimokawa	
D577,708 S	9/2008	von Meiss	
D577,721 S *	9/2008	O'Neil	D14/358

(Continued)

- (21) Appl. No.: **29/746,746**
- (22) Filed: **Aug. 17, 2020**
- (51) **LOC (13) Cl.** ..... **16-05**
- (52) **U.S. Cl.**  
USPC ..... **D16/237; D14/218**
- (58) **Field of Classification Search**  
USPC ..... D14/356, 357, 358, 388, 432, 433, 496,  
D14/217, 218, 240, 242, 299, 390, 454,  
D14/455; D13/158, 159, 123, 124, 162,  
D13/162.1, 168, 173, 184, 199, 110, 169,  
D13/170, 171; D16/237  
CPC ..... G03B 3/12; G03B 17/56; H01H 9/0235;  
H04N 5/232; H04N 21/42224; H04N  
21/42225  
See application file for complete search history.

**OTHER PUBLICATIONS**

Suptig Remote WiFi Remote, (online) 13 pgs. { Retrieved Aug. 25, 2021] Available Jun. 4, 2018 [https://www.amazon.com/Suptig-Remote-Session-Waterproof-Wireless/dp/B07DJDS77K/ref=psdc\\_14015071\\_t3\\_B092MY557Z.\\*](https://www.amazon.com/Suptig-Remote-Session-Waterproof-Wireless/dp/B07DJDS77K/ref=psdc_14015071_t3_B092MY557Z.*)

(Continued)

*Primary Examiner* — Marie D. Fast Horse  
(74) *Attorney, Agent, or Firm* — Young Basile Hanlon & MacFarlane, P.C.

(57) **CLAIM**

The ornamental design for a remote control, as shown and described.

**DESCRIPTION**

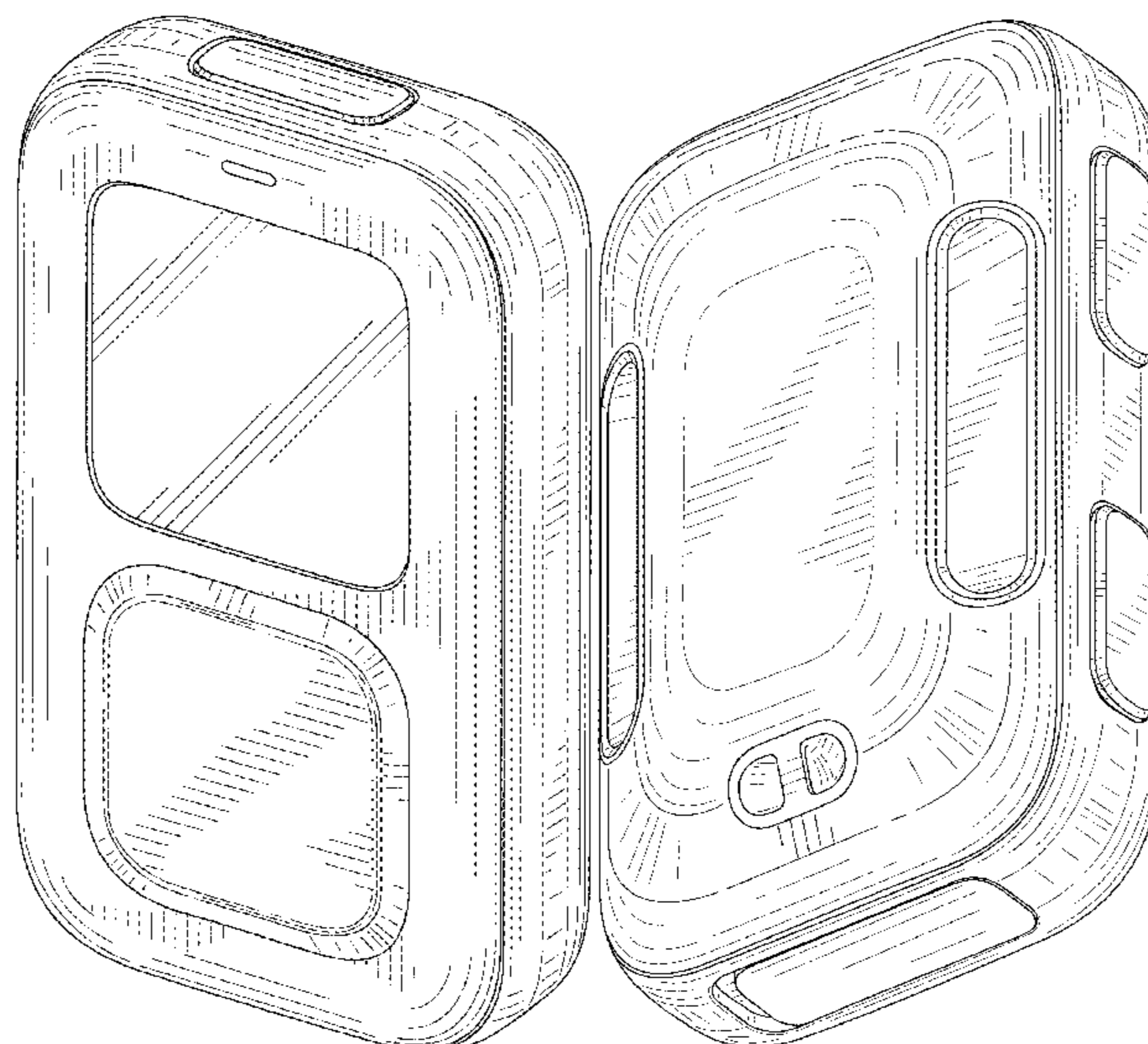
FIG. 1 is a front, upper, right perspective view of a remote control of our new design;  
FIG. 2 is a rear, lower, left perspective view thereof;  
FIG. 3 is a front view thereof;  
FIG. 4 is a rear view thereof;  
FIG. 5 is a right view thereof;  
FIG. 6 is a left view thereof;  
FIG. 7 is a bottom view thereof; and,  
FIG. 8 is a top view thereof.

**1 Claim, 7 Drawing Sheets**

(56) **References Cited**

**U.S. PATENT DOCUMENTS**

D293,088 S	12/1987	Brown	
D317,593 S *	6/1991	Rowen	D13/168
D333,635 S	3/1993	Issa	
D356,746 S	3/1995	Dziersk	
D357,639 S	4/1995	Flick	
D357,919 S *	5/1995	Tsui	D13/168
D366,262 S *	1/1996	Inaba	D10/104.1
D366,665 S *	1/1996	Morohoshi	D16/237
D374,693 S *	10/1996	Osborne	D13/168



(56)

References Cited

U.S. PATENT DOCUMENTS

D592,158 S 5/2009 Peterson  
 D596,623 S \* 7/2009 Laine ..... D14/218  
 D604,761 S \* 11/2009 Suzuki ..... D13/162.1  
 D609,701 S \* 2/2010 Hou ..... D14/240  
 D611,915 S \* 3/2010 Felegy, Jr. .... D13/168  
 D617,746 S \* 6/2010 Choi ..... D13/168  
 D628,153 S 11/2010 Fujii  
 D635,174 S \* 3/2011 Stewart ..... D16/208  
 D638,048 S 5/2011 Kim  
 D638,806 S 5/2011 Kim  
 D638,819 S 5/2011 Shum  
 7,978,119 B2 7/2011 Heigl  
 D643,398 S 8/2011 Zakarias  
 D660,809 S \* 5/2012 Kern Koskela ..... D13/168  
 D661,282 S \* 6/2012 Tatara ..... D14/218  
 D667,382 S 9/2012 Cosentino  
 D669,847 S \* 10/2012 Jadraque Aznarez ..... D13/102  
 D678,258 S \* 3/2013 Seto ..... D14/240  
 D680,063 S 4/2013 Sasada  
 D682,806 S \* 5/2013 Smith ..... D14/155  
 D692,939 S 11/2013 Huang  
 D693,798 S \* 11/2013 Chuang ..... D14/240  
 D701,496 S 3/2014 Namminga  
 D703,154 S \* 4/2014 Clymer ..... D13/164  
 D703,721 S \* 4/2014 Hayashi ..... D16/237  
 D705,748 S 5/2014 He  
 D708,977 S \* 7/2014 Corso ..... D10/106.9  
 D718,720 S \* 12/2014 Rader ..... D13/162  
 D719,534 S \* 12/2014 Woodman ..... D13/168  
 D721,660 S 1/2015 Wang  
 D726,107 S 4/2015 Mudge  
 D726,663 S \* 4/2015 Clymer ..... D13/162

D731,469 S \* 6/2015 Turksu ..... D14/218  
 D733,788 S 7/2015 Baker  
 D735,179 S \* 7/2015 Yang ..... D14/240  
 D740,285 S 10/2015 Templeton  
 D740,286 S 10/2015 Templeton  
 D749,666 S \* 2/2016 Ahdoot ..... D16/237  
 D754,081 S 4/2016 Woodman  
 D766,218 S 9/2016 Yang  
 D774,455 S 12/2016 Kim  
 D778,265 S 2/2017 Parfitt  
 D782,976 S 4/2017 Zhang  
 D784,259 S 4/2017 Huang  
 D786,674 S 5/2017 Miller  
 D800,820 S 10/2017 Bergman  
 D802,650 S \* 11/2017 Hoshi ..... D16/237  
 D811,351 S \* 2/2018 O'Connell ..... D13/168  
 D816,057 S \* 4/2018 Jue ..... D14/155  
 D846,530 S \* 4/2019 Pellattiero ..... D14/218  
 D862,398 S \* 10/2019 Schindler ..... D13/162  
 D901,447 S \* 11/2020 deBock ..... D14/218  
 D913,816 S \* 3/2021 Fu ..... D10/49  
 2009/0173613 A1 7/2009 Geldmacher  
 2010/0060467 A1 3/2010 Kofford  
 2010/0073191 A1 3/2010 Beverung  
 2012/0228443 A1 9/2012 Du

OTHER PUBLICATIONS

GoPro Remo (Waterproof Voice Activated Remote), [online] Published date Sep. 19, 2016. Retrieved on Jun. 2, 2017 from <URL: <https://www.amazon.com/GoPro-Waterproof-Activated-Official-Accessory/dp/B01LWW1ZK9>>.

\* cited by examiner

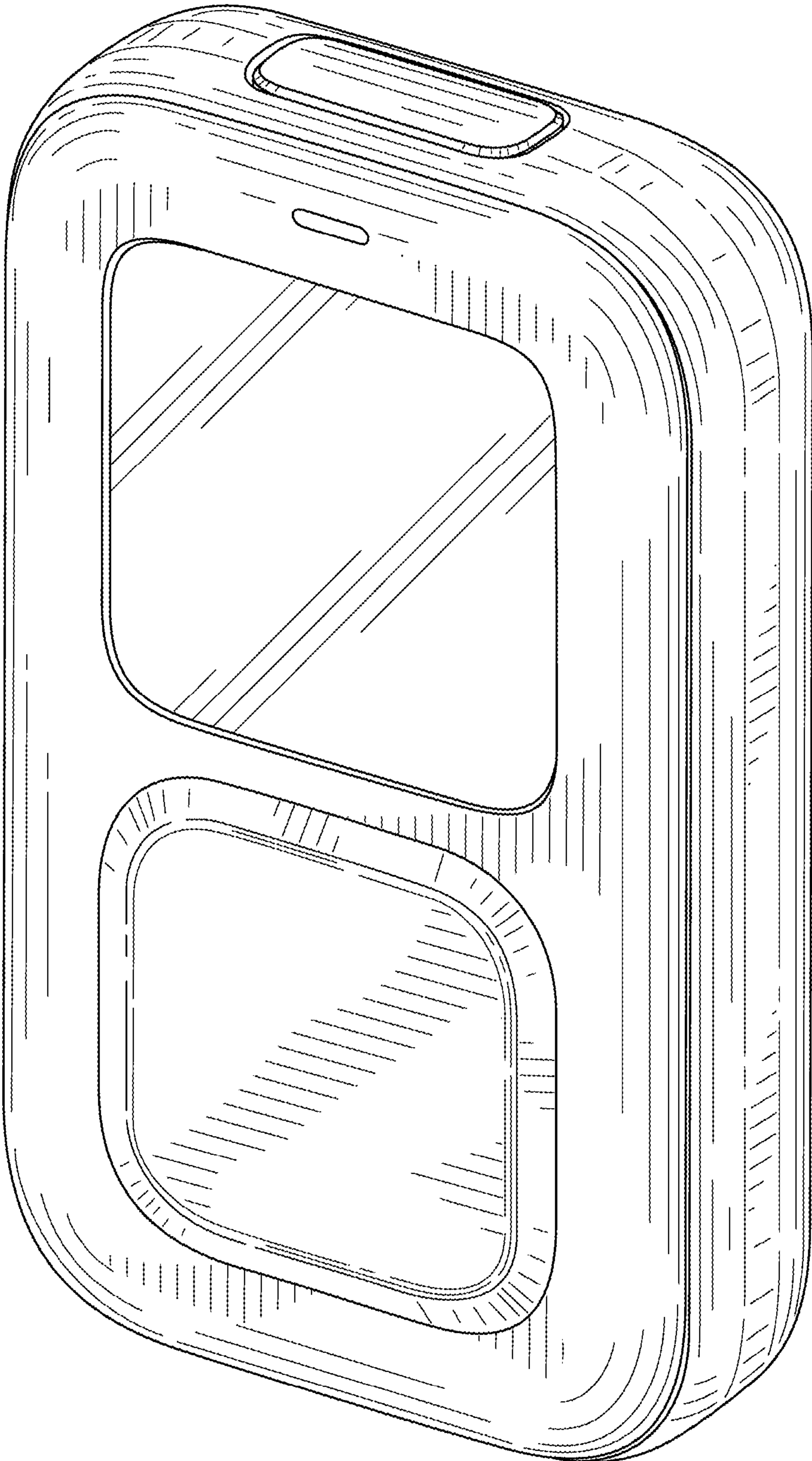


FIG. 1

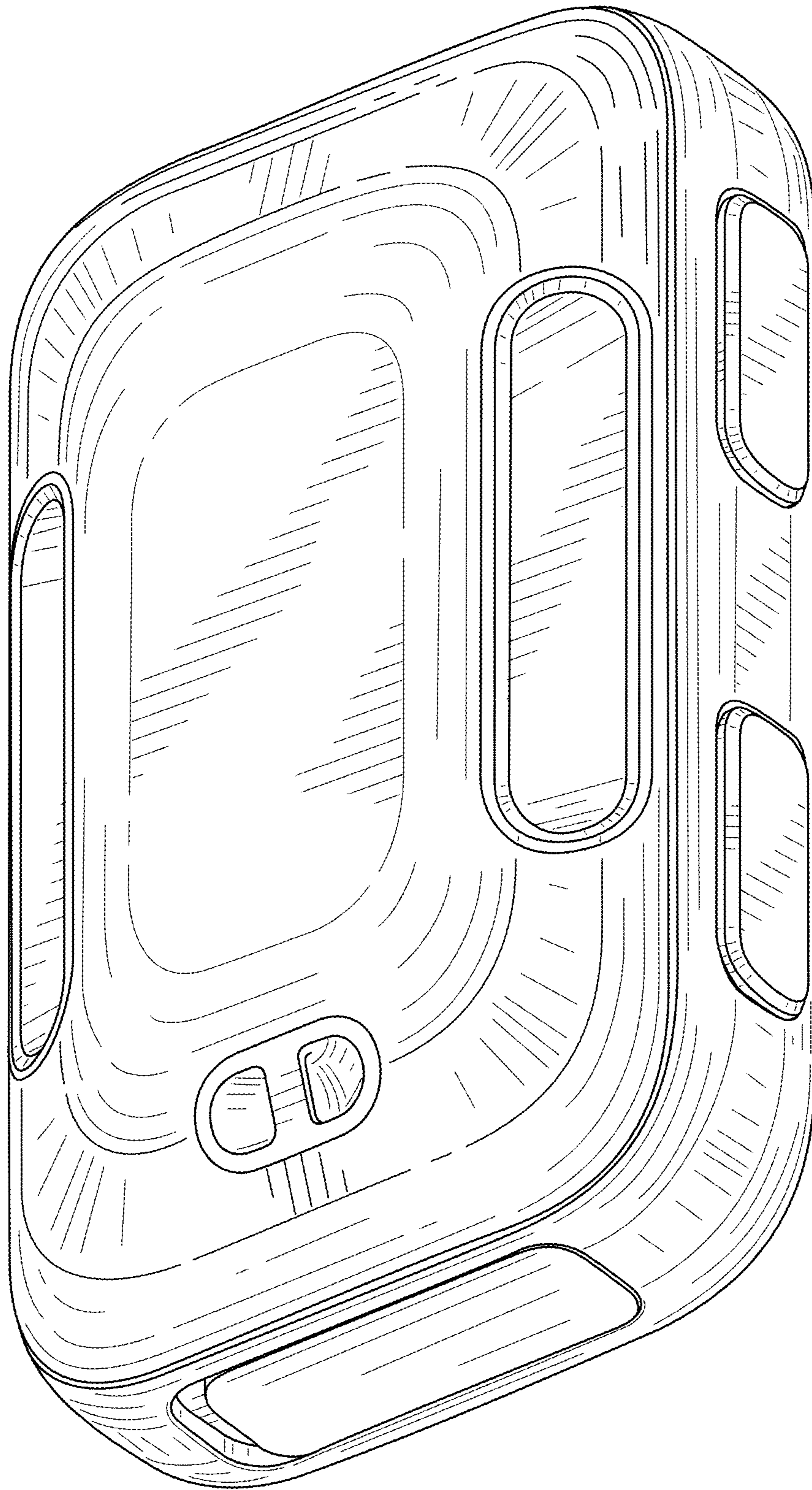


FIG. 2

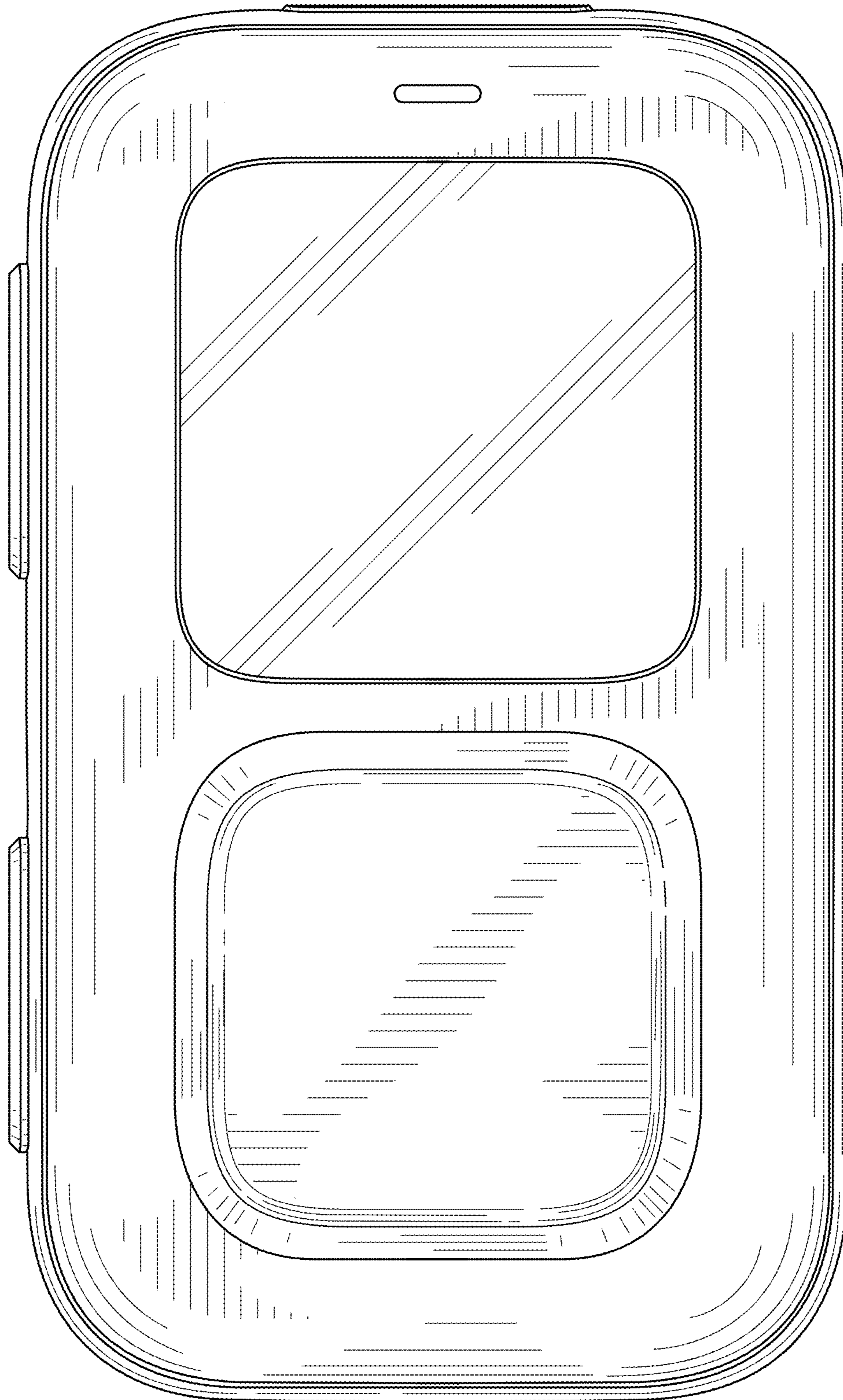


FIG. 3

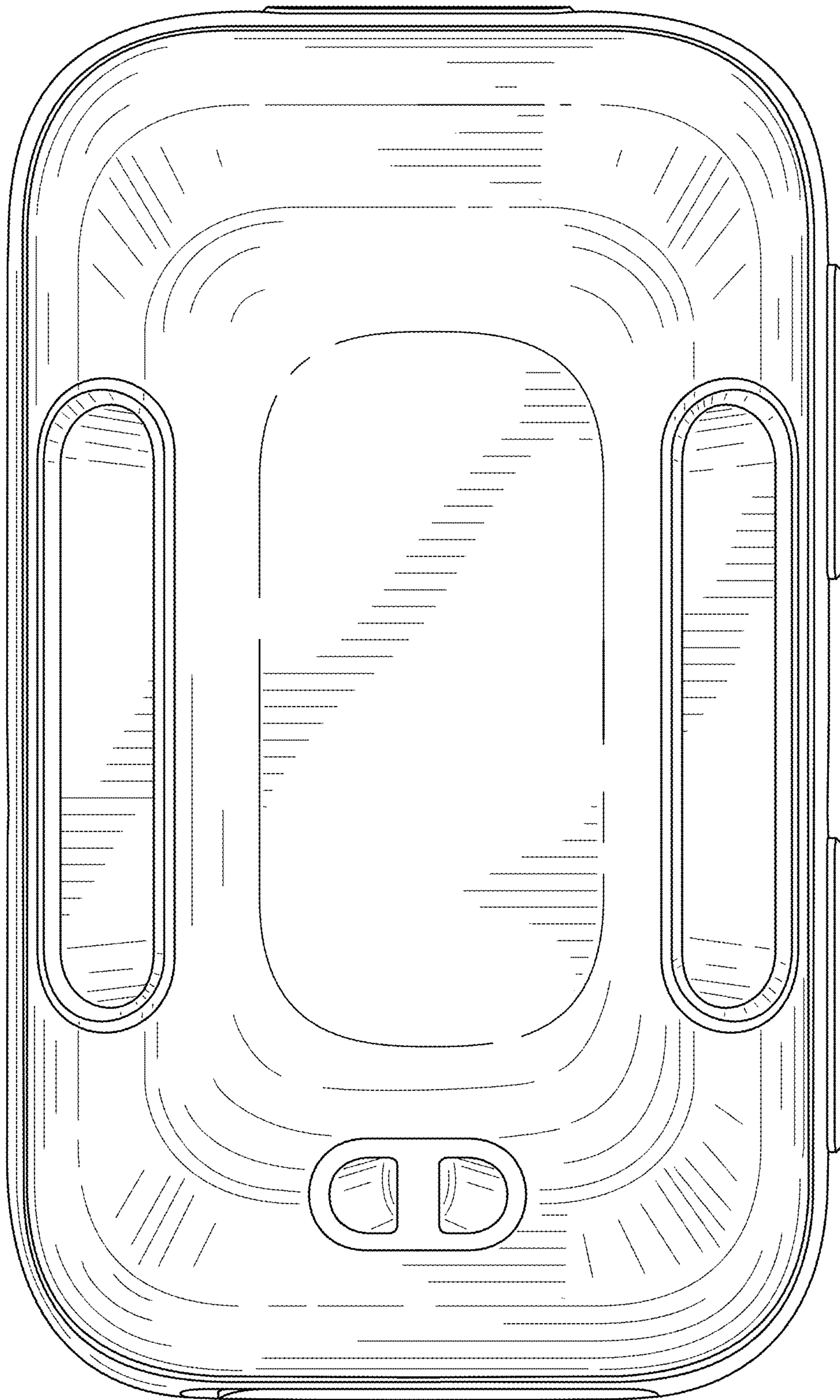


FIG. 4

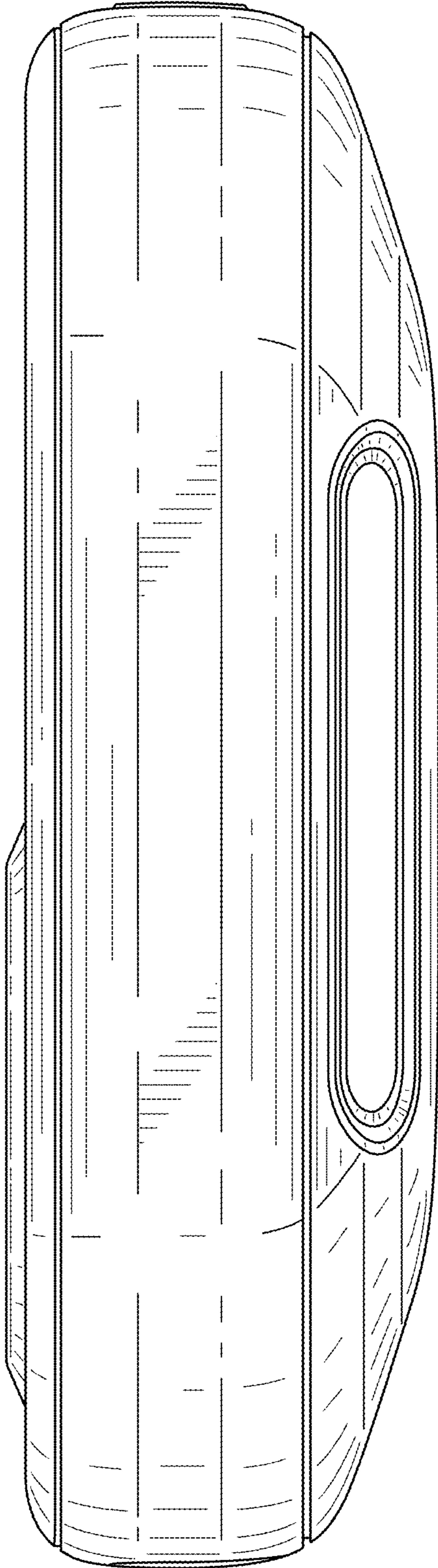


FIG. 5

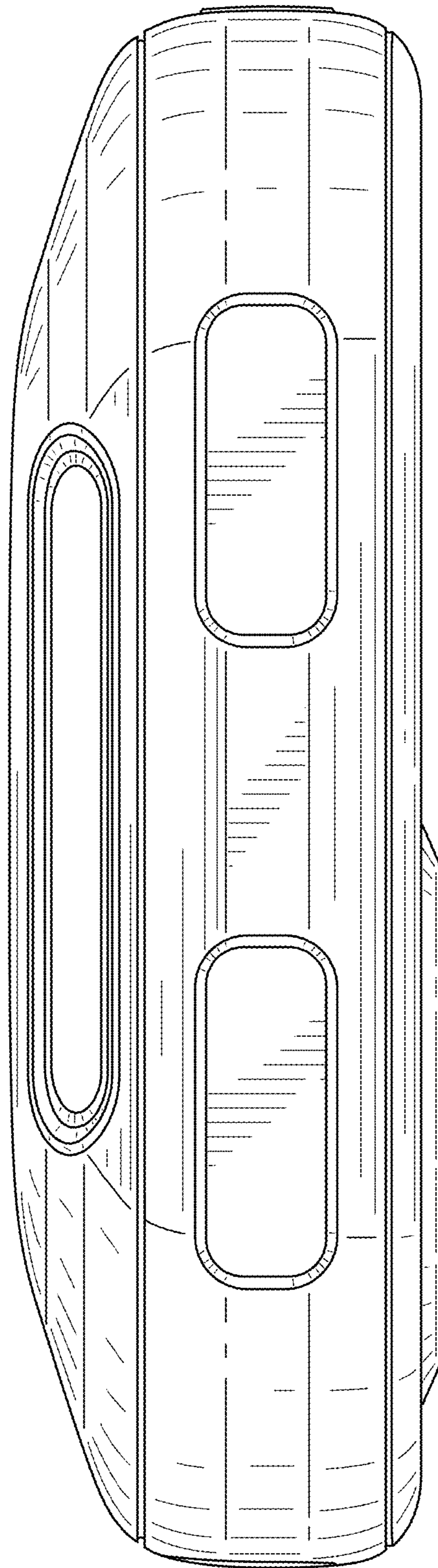


FIG. 6



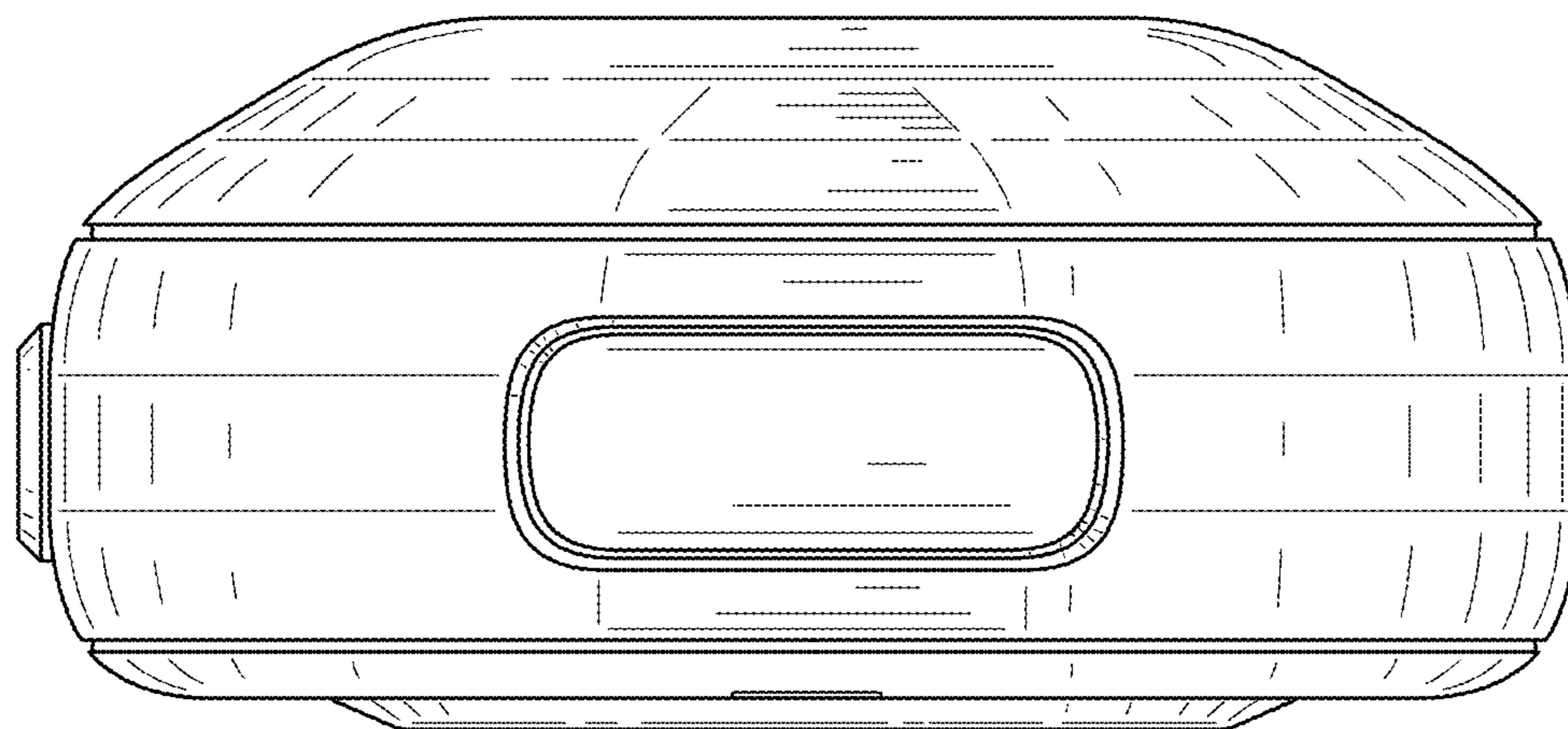


FIG. 7

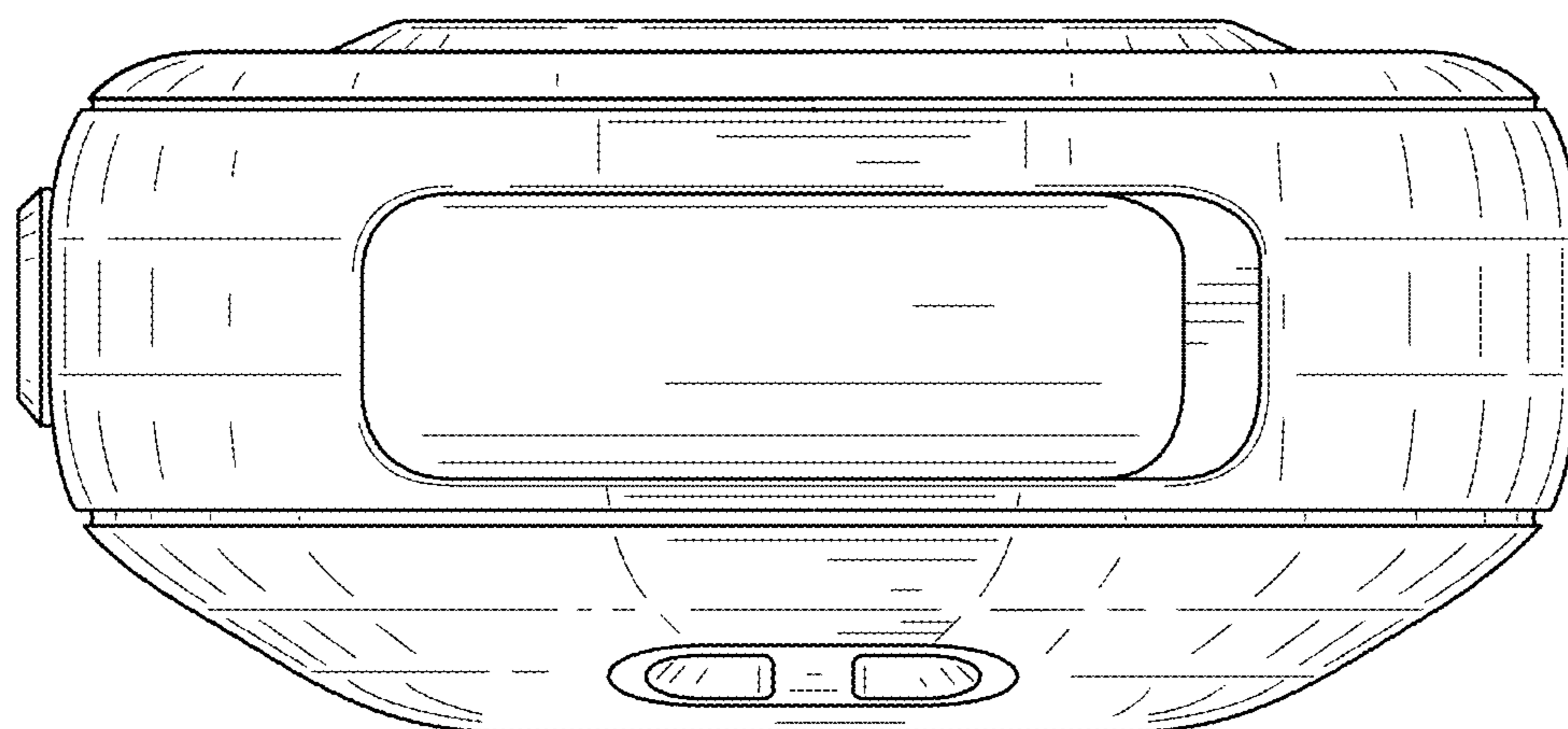


FIG. 8