



US00D946069S

(12) **United States Design Patent** (10) **Patent No.:** **US D946,069 S**
Mørk et al. (45) **Date of Patent:** **** Mar. 15, 2022**

(54) **INDUSTRIAL ROBOT**

(71) Applicant: **MOBILE INDUSTRIAL ROBOTS**
A/S, Odense SØ (DK)

(72) Inventors: **Lars Majlund Mørk, Odense M (DK);**
Niels Jul Jacobsen, Svendborg (DK);
Allan Rødtness, Odense M (DK)

(73) Assignee: **MOBILE INDUSTRIAL ROBOTS**
A/S

(**) Term: **15 Years**

(21) Appl. No.: **29/726,936**

(22) Filed: **Mar. 6, 2020**

(30) **Foreign Application Priority Data**

Jan. 2, 2020 (EM) 007469788-0001

(51) **LOC (13) Cl.** **15-99**

(52) **U.S. Cl.**
USPC **D15/199**

(58) **Field of Classification Search**
USPC D12/1; D15/199; D32/21; D34/12, 24,
D34/28, 34
CPC B25J 5/007; B25J 9/1694; G05D 1/027;
G05D 1/0011; G05D 1/0231; G05D
1/0242; G05D 2201/0216; Y10S 901/01;
Y10S 901/46; Y10S 901/49
See application file for complete search history.

(56) **References Cited**

U.S. PATENT DOCUMENTS

4,137,984 A * 2/1979 Jennings B62D 1/28
180/168
5,127,486 A * 7/1992 Yardley B62D 1/28
180/168
D722,631 S * 2/2015 Stone D15/199

D810,799 S * 2/2018 Sokuza D15/199
D864,270 S * 10/2019 Hu D15/199
D865,021 S * 10/2019 Hu D15/199
D873,174 S * 1/2020 Sokuza D12/1
D879,852 S * 3/2020 Chen D15/199
D880,550 S * 4/2020 Sokuza D15/199
D886,173 S * 6/2020 Sokuza D15/199
D886,174 S * 6/2020 Blomgren D15/199
D887,468 S * 6/2020 Hirvesaar D15/199
D888,790 S * 6/2020 Yao D15/199
D896,858 S * 9/2020 Kapuria D15/199
D898,790 S * 10/2020 Sokuza D15/199
D899,475 S * 10/2020 Xiao D15/199
D902,272 S * 11/2020 Cascajar D15/199
D902,277 S * 11/2020 Sakaguchi D15/199
D906,390 S * 12/2020 Kapuria D15/199
D907,084 S * 1/2021 Kapuria D15/199

(Continued)

Primary Examiner — Patricia A Palasik

(74) *Attorney, Agent, or Firm* — Barclay Damon LLP

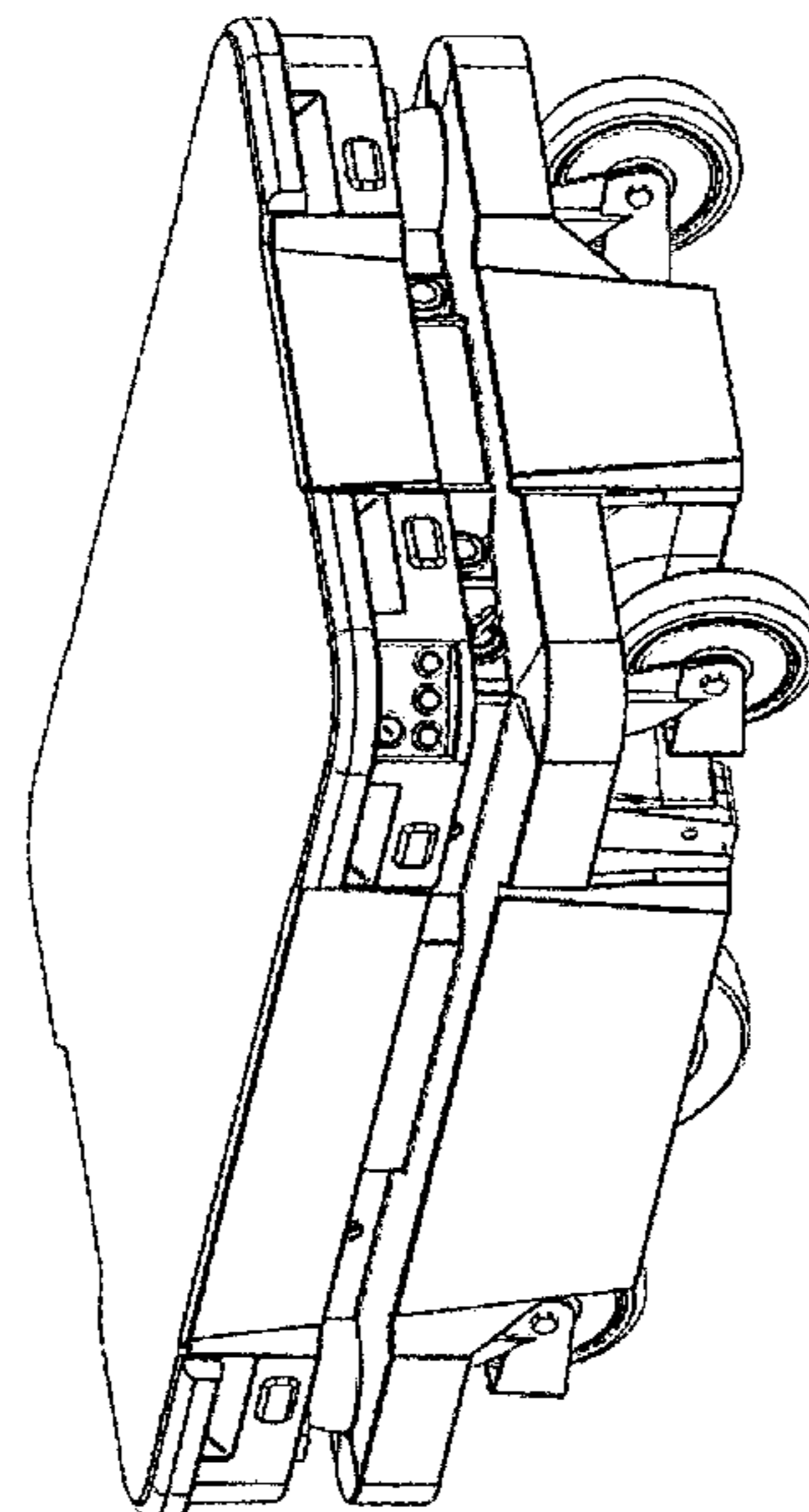
(57) **CLAIM**

The ornamental design for an industrial robot, as shown and described.

DESCRIPTION

FIG. 1 is a front perspective view of an industrial robot, in accordance with the new design, taken from the right side; FIG. 2 is a front side facing view thereof; FIG. 3 is a rear side facing view thereof; FIG. 4 is a right side facing view thereof; FIG. 5 is a left side facing view thereof; FIG. 6 is a front perspective view thereof, taken from the left side; FIG. 7 is a rear perspective view thereof, taken from the right side; FIG. 8 is a top plan view thereof; and, FIG. 9 is a bottom plan view thereof. The broken lines in the drawings depict portions of the industrial robot which form no part of the claimed design.

1 Claim, 9 Drawing Sheets



(56)

References Cited

U.S. PATENT DOCUMENTS

D907,677 S * 1/2021 Mork D15/199
D907,678 S * 1/2021 Cai D15/199
2018/0099810 A1* 4/2018 Wu B65G 1/0492
2019/0270472 A1* 9/2019 Akamatsu B62B 5/0093

* cited by examiner

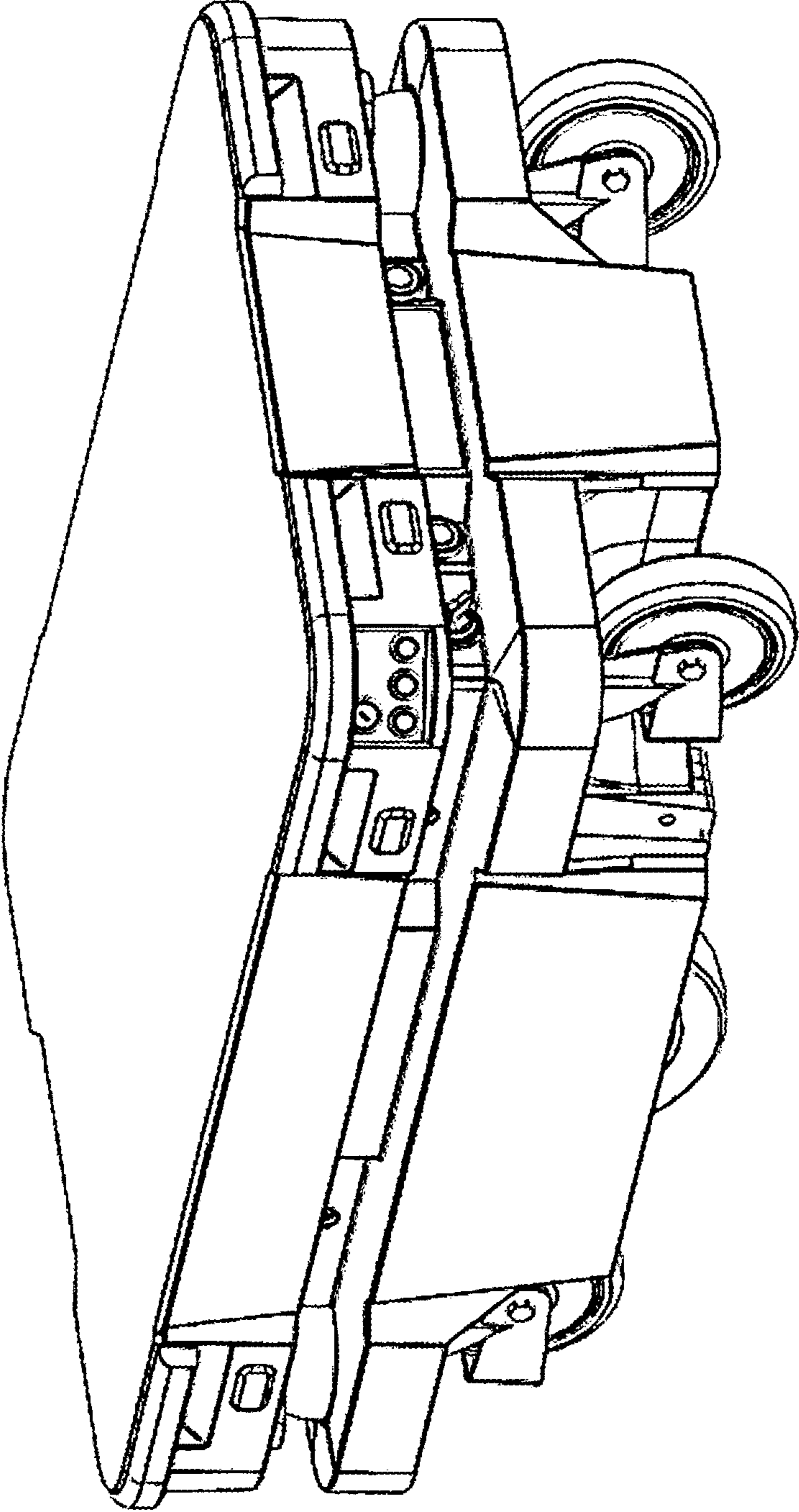


FIG. 1

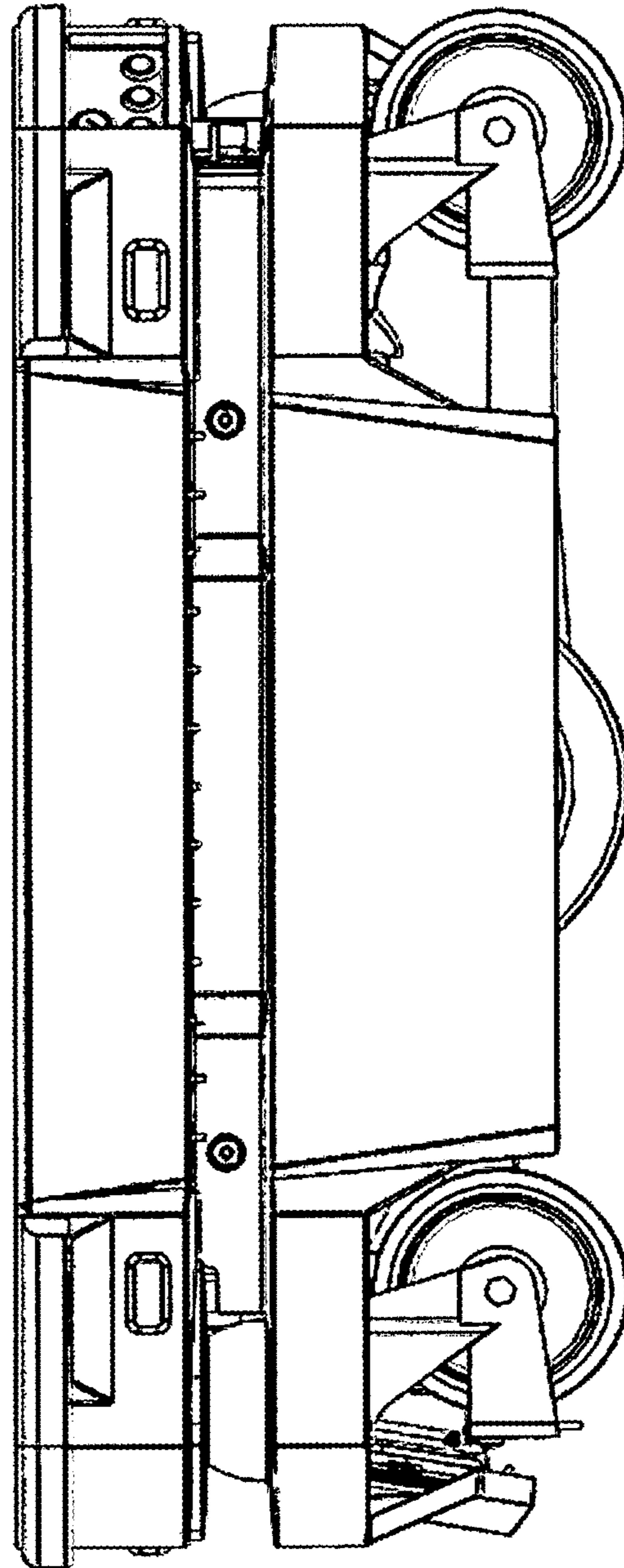


FIG. 2

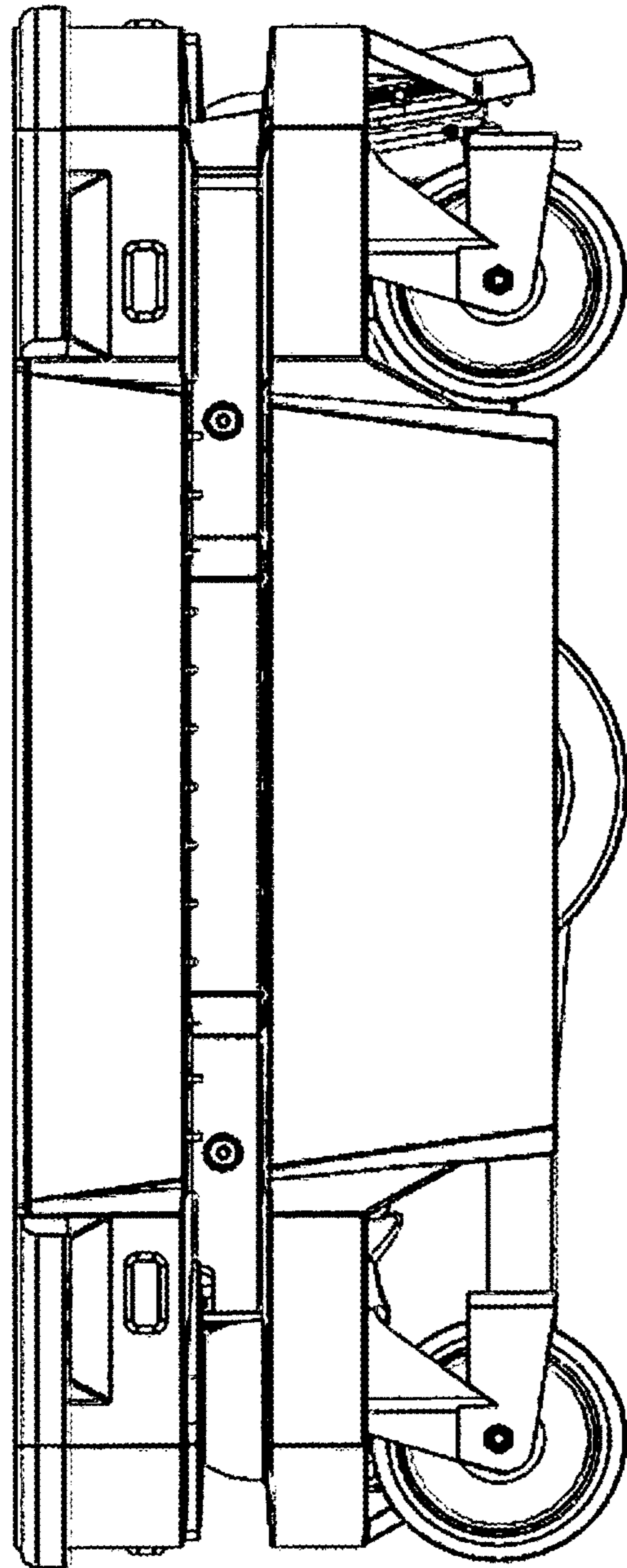


FIG. 3

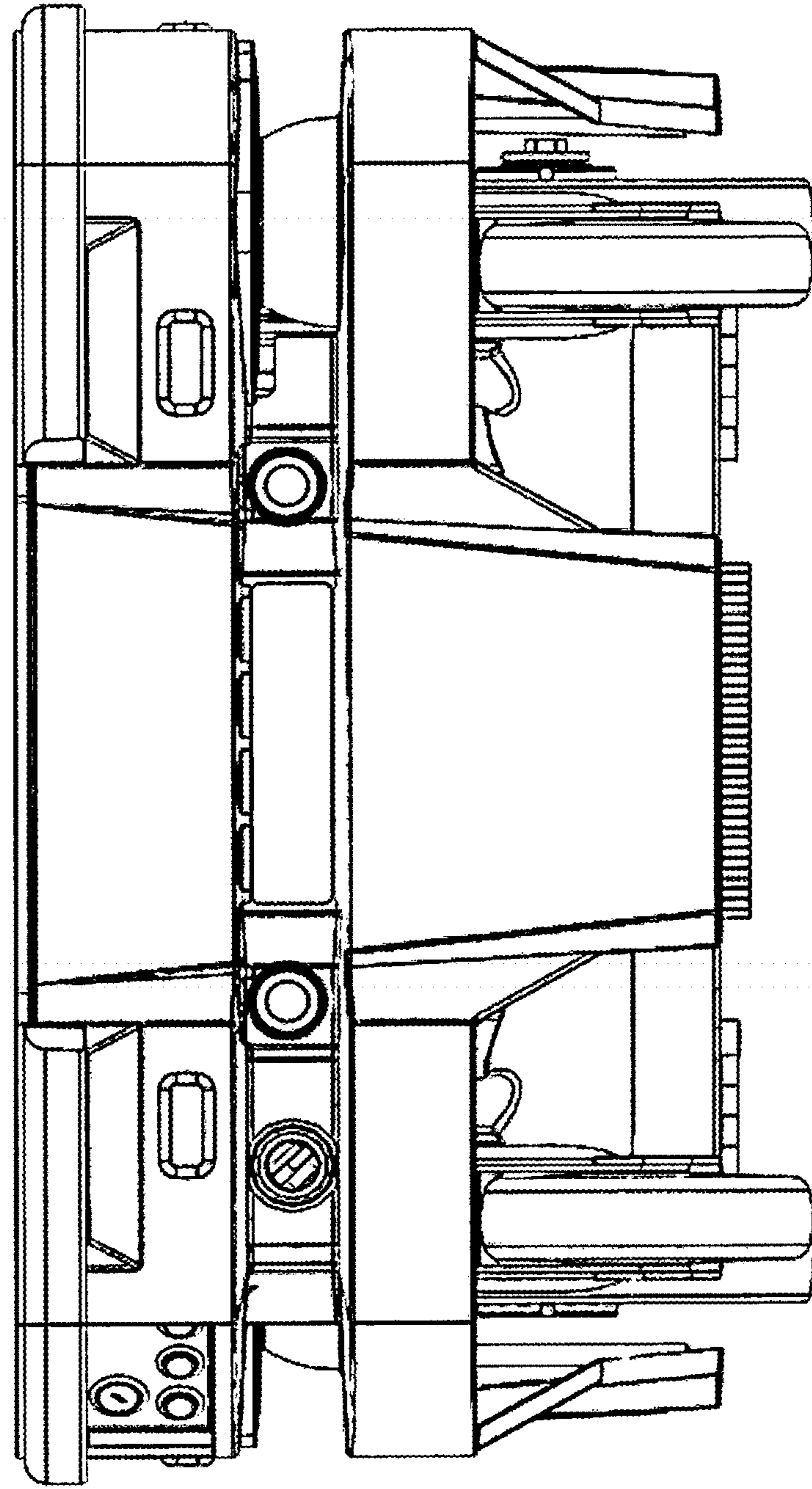


FIG. 4

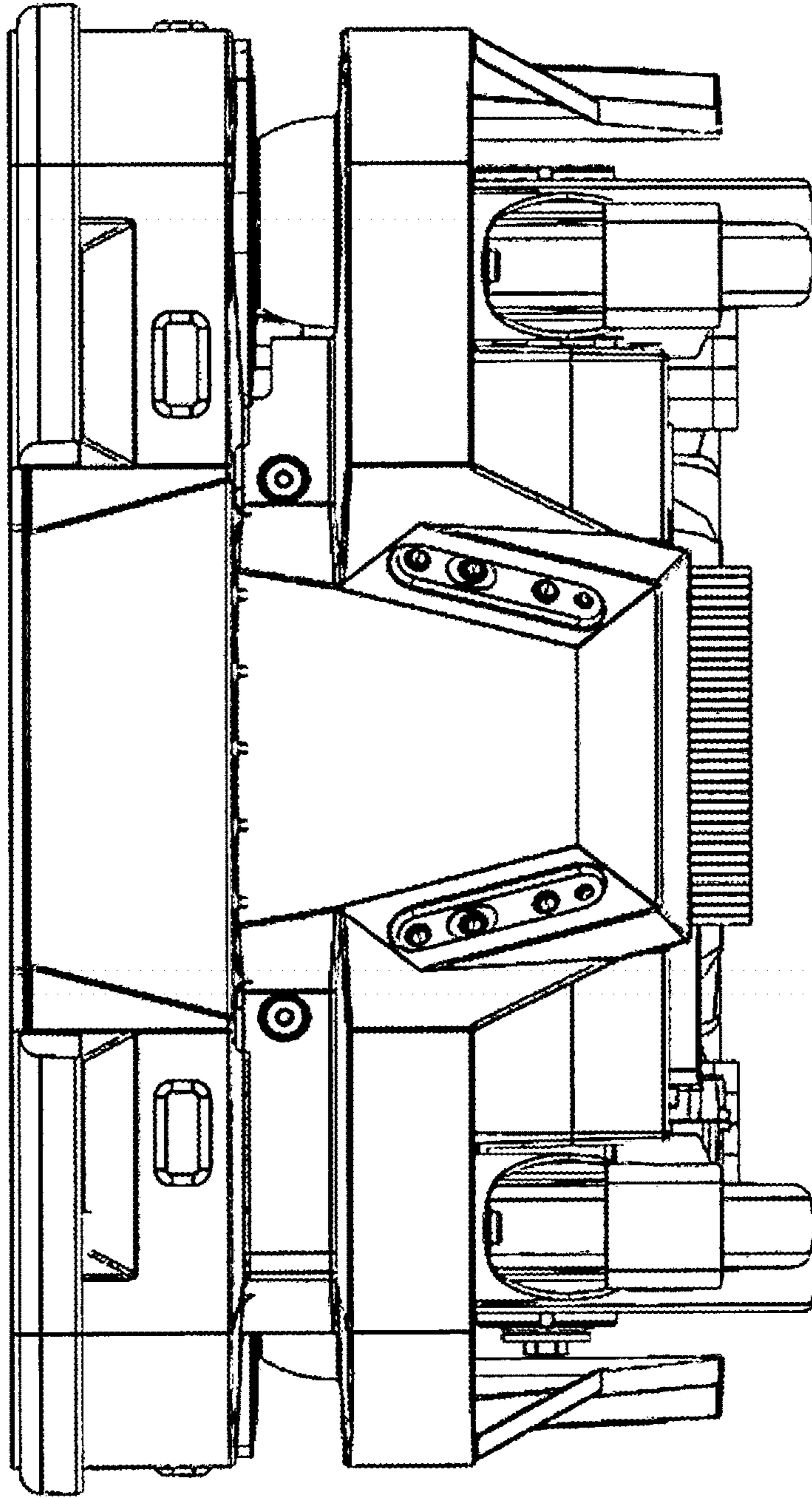


FIG. 5

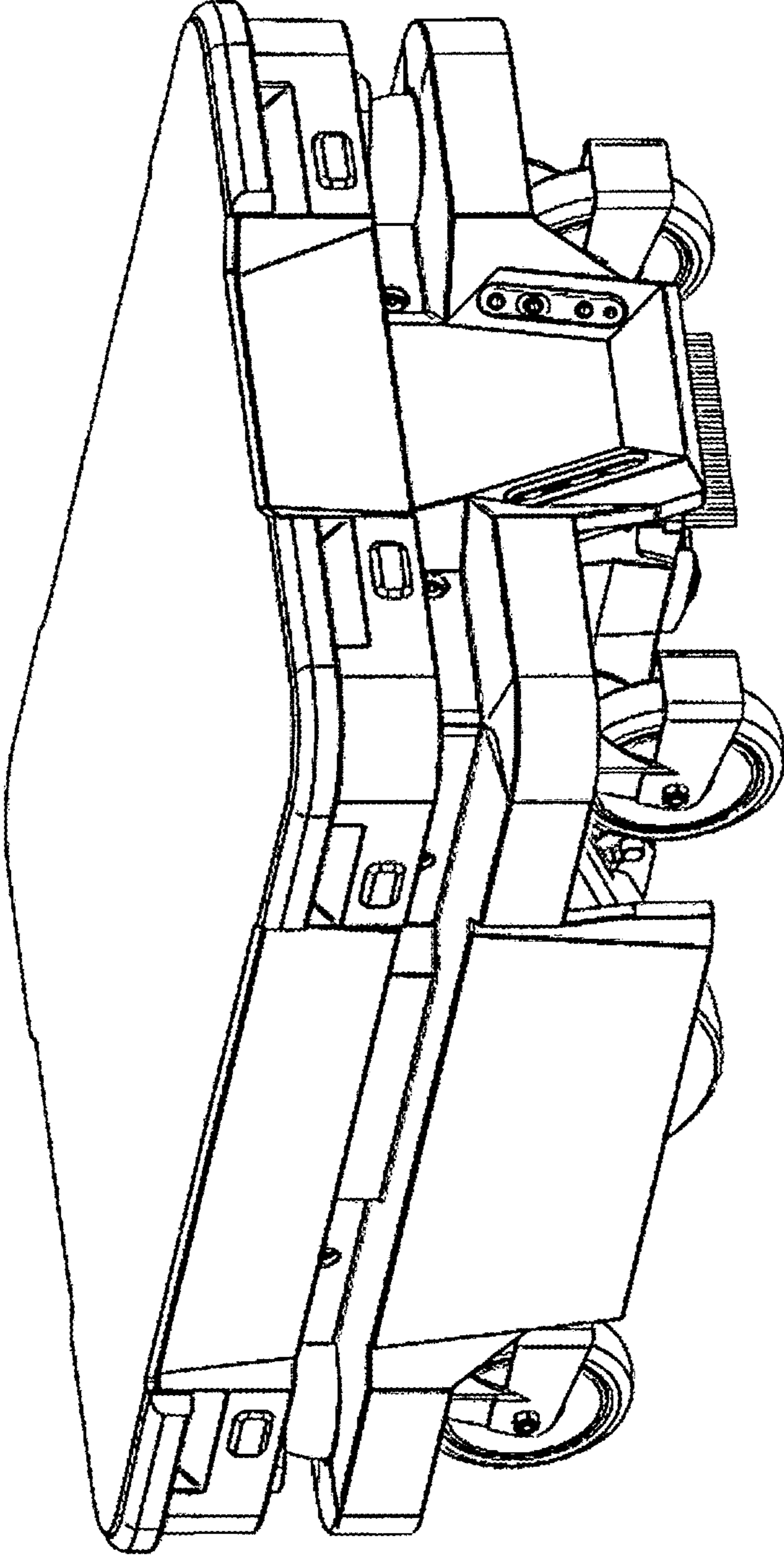


FIG. 6

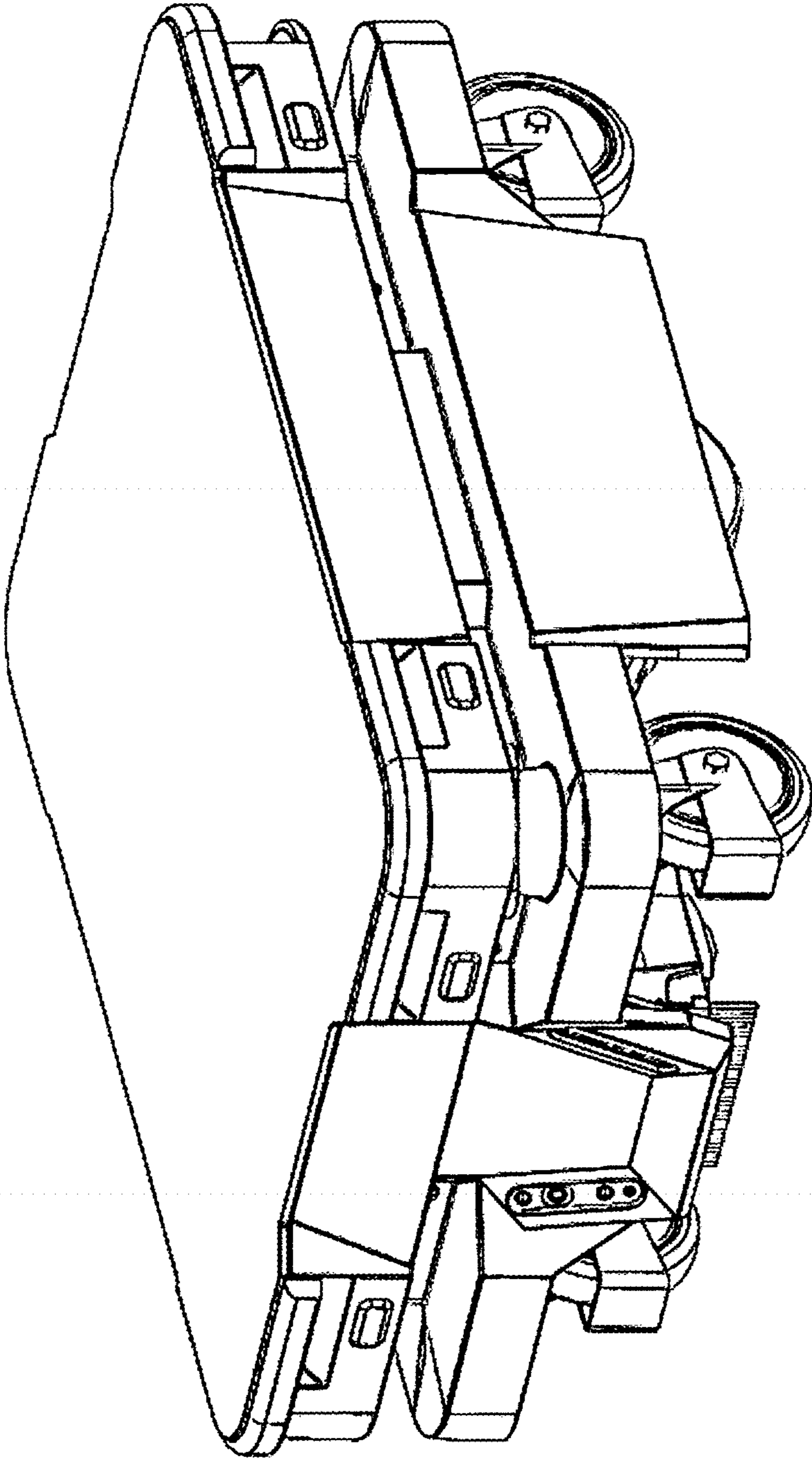


FIG. 7

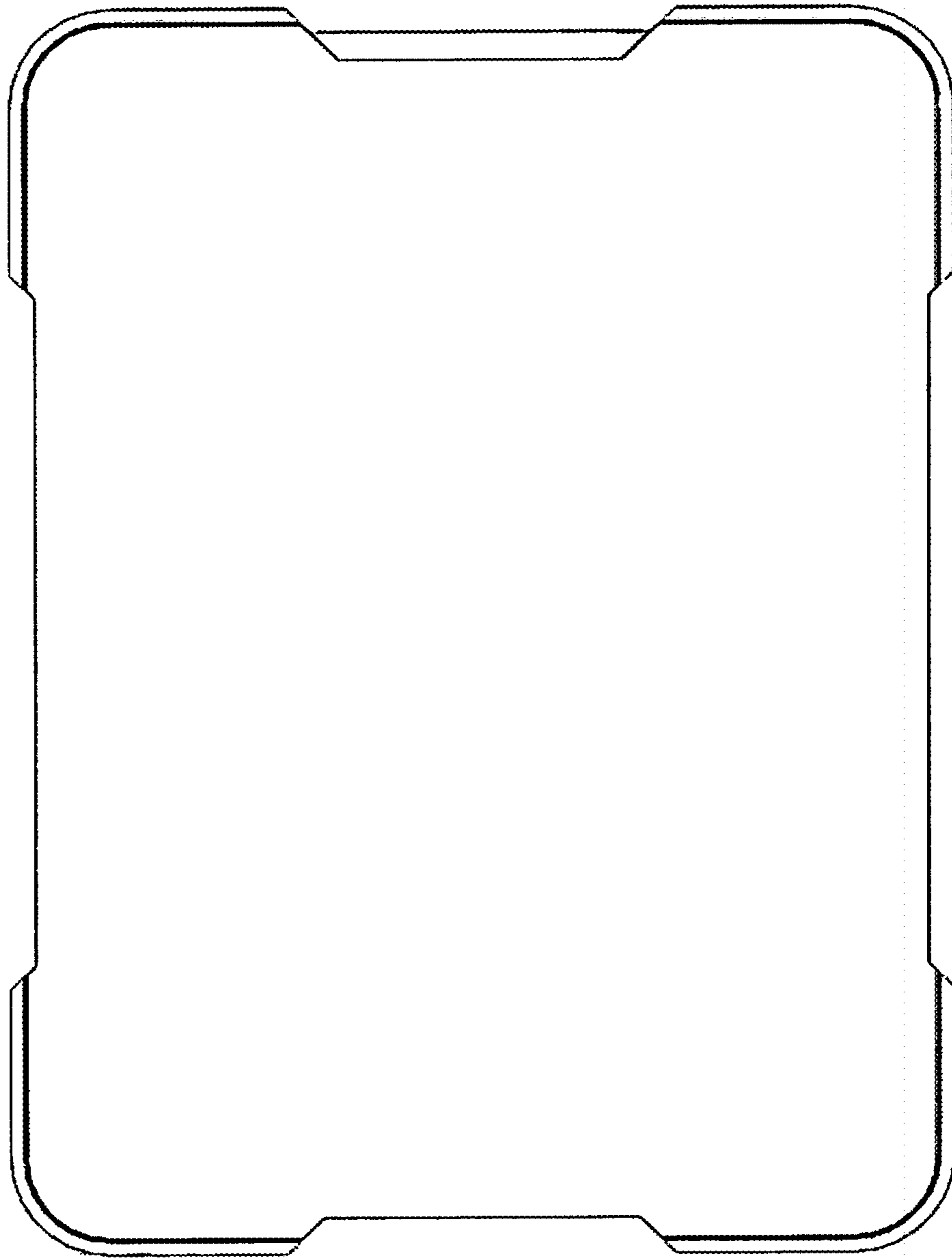


FIG. 8

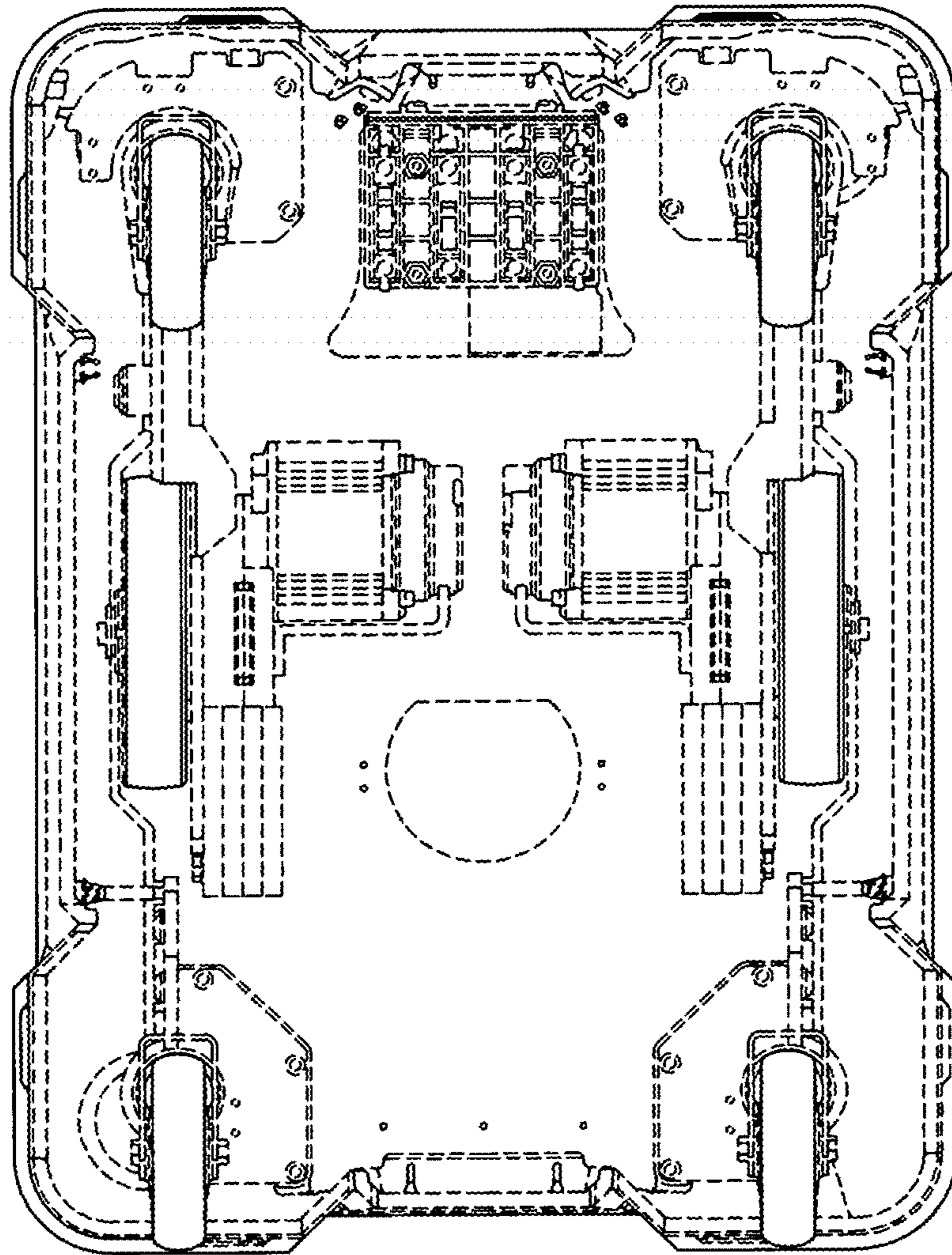


FIG. 9