



US00D946067S

(12) **United States Design Patent**
Ooki et al.

(10) **Patent No.:** **US D946,067 S**
(45) **Date of Patent:** **** Mar. 15, 2022**

(54) **LATHE**

(71) Applicant: **FANUC CORPORATION**, Yamanashi (JP)

(72) Inventors: **Takeshi Ooki**, Yamanashi (JP); **Yonpyo Hon**, Yamanashi (JP); **Hiroshi Minami**, Yamanashi (JP); **Harutora Inaba**, Yamanashi (JP)

(73) Assignee: **FANUC CORPORATION**, Yamanashi (JP)

(**) Term: **15 Years**

(21) Appl. No.: **29/707,051**

(22) Filed: **Sep. 25, 2019**

(30) **Foreign Application Priority Data**

Mar. 27, 2019 (JP) 2019-006539

(51) **LOC (13) Cl.** **15-09**

(52) **U.S. Cl.**

USPC **D15/130**; D15/127

(58) **Field of Classification Search**

USPC D18/57, 53; D15/150, 130, 127, 126, D15/124, 122, 199, 123, 131, 145

CPC Y10T 409/30392; Y10T 29/5128; Y10T 74/2193; Y10T 82/10; A21B 1/48; A21B 3/02; B23B 3/06; B23B 5/08; B23B 2215/08; B23B 2231/30; B23B 2231/50; B23B 2250/04; B23B 2260/088; B23B 2270/205; B23B 29/03435; B23B 31/1173; B23B 31/1175; B23B 31/1177; B23B 31/16287; B23B 31/266; B23B 31/40; B23B 31/4073; B23B 31/42; B23B 39/02; B23B 41/00; B23B 5/162; B23B 5/163; B23B 5/168; B23C 5/06; B23C 5/20; B23C 5/08; B23C 5/26; B23C 2215/085; B23C 2215/52; B23C 2220/12; B23C 2220/366; B23C 2255/08; B23C 2270/06; B23C 9/00; B23C 9/005; B23Q 1/01; B23Q 1/012; B23Q 1/015; B23Q

1/25; B23Q 1/44; B23Q 1/46; B23Q 1/4852; B23Q 1/5412; B23Q 1/621; B23Q 1/74; B23Q 39/024; B23Q 3/15706; B23Q 3/06; B23Q 3/12; B23Q 3/15503; B23Q 3/1552; B23Q 3/15536; B23Q 3/15553; B23Q 3/15713; B23Q 3/15722; B23Q 3/15724; B23Q 7/047; B23Q 7/00; B23Q 7/043; B23Q 7/10; B23Q 2039/002; B23Q 2039/004; B23Q 2039/006; B23Q 3/062; B23Q 3/154; B23Q 3/1543; B23Q 3/15733; B23Q 11/001; B23Q 11/0035; B23Q 11/08; B23Q 11/0883; B23Q 11/0891; B23Q 11/0825; B23Q 11/085; B23Q 17/007; B23Q

(Continued)

(56) **References Cited**

U.S. PATENT DOCUMENTS

D542,311 S * 5/2007 Inaba D15/127
D544,003 S * 6/2007 Inaba D15/127

(Continued)

Primary Examiner — Nathaniel D. Buckner

(74) *Attorney, Agent, or Firm* — Banner & Witcoff, Ltd.

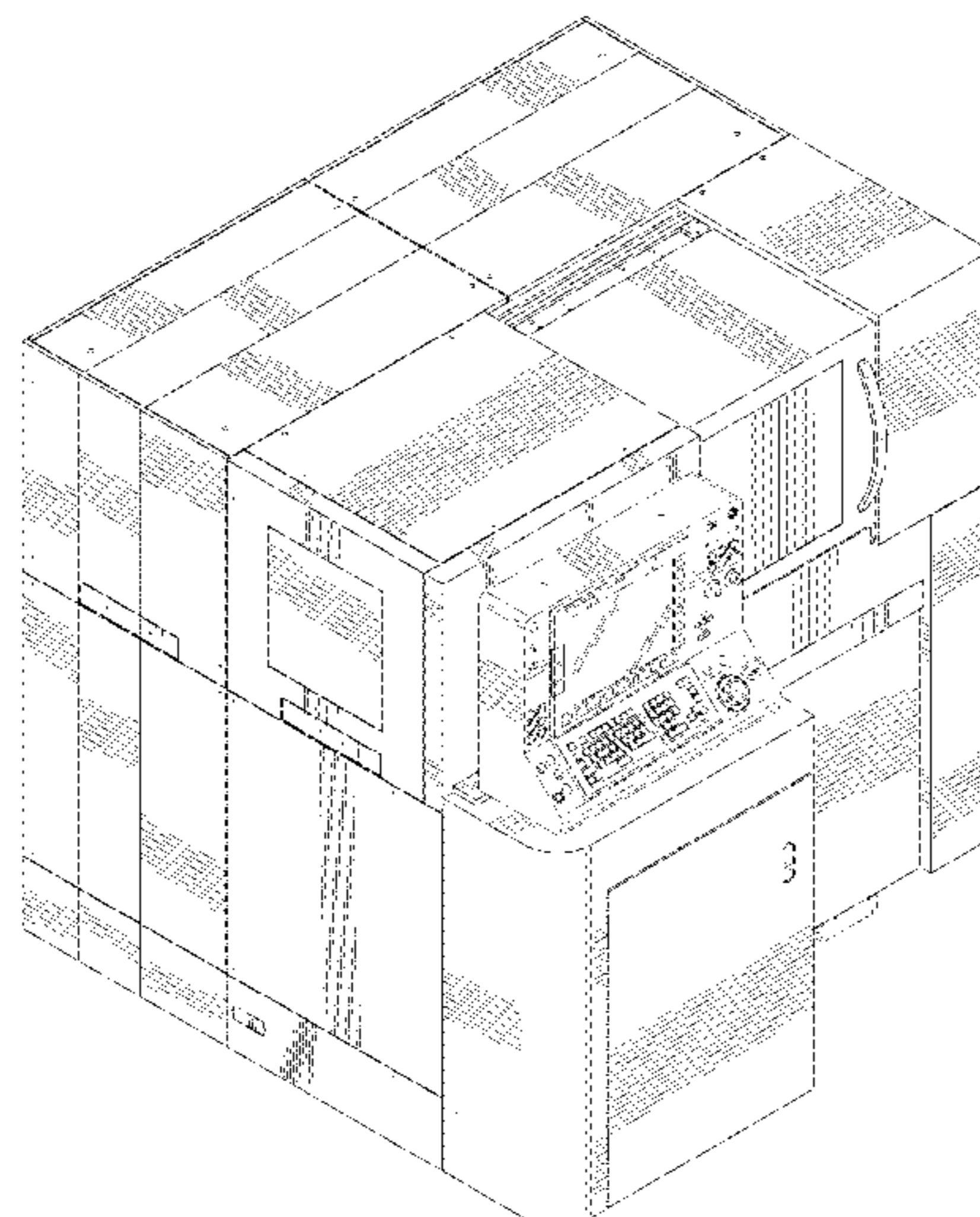
(57) **CLAIM**

The ornamental design for a lathe, as shown and described.

DESCRIPTION

FIG. 1 is a first perspective view of a lathe showing our new design;
FIG. 2 is a second perspective view thereof,
FIG. 3 is a front view thereof;
FIG. 4 is a top plan thereof;
FIG. 5 is a right side view thereof; and,
FIG. 6 is a left side view thereof.
The broken lines in the drawings depict portions of the lathe which form no part of the claimed design.

1 Claim, 6 Drawing Sheets



(58) **Field of Classification Search**

CPC . 2005/005; B23Q 2220/002; B23Q 2220/006;
B23Q 2703/10; B23Q 37/00; B23Q
39/00; B23Q 39/042; B23Q 5/10; B23Q
5/40; B23Q 9/0021; B23Q 9/02; B25B
11/002; B24B 23/08; B24B 9/007; B65D
19/38

See application file for complete search history.

(56) **References Cited**

U.S. PATENT DOCUMENTS

D559,871	S	*	1/2008	Kittaka	D15/122
D676,881	S	*	2/2013	Mueller	D15/122
D731,566	S	*	6/2015	Shimano	D15/127
D736,839	S	*	8/2015	Shimano	D15/122
D748,696	S	*	2/2016	Lee	D15/127
9,770,857	B2	*	9/2017	Seki	B29C 45/42
9,776,351	B2	*	10/2017	Yoshioka	B29C 45/42
9,778,646	B2	*	10/2017	Ikeda	G05B 19/41825
D858,590	S	*	9/2019	Kazaoka	D15/122
D868,854	S	*	12/2019	Willey	D15/122
D892,181	S	*	8/2020	Blutbacher	D15/122

* cited by examiner

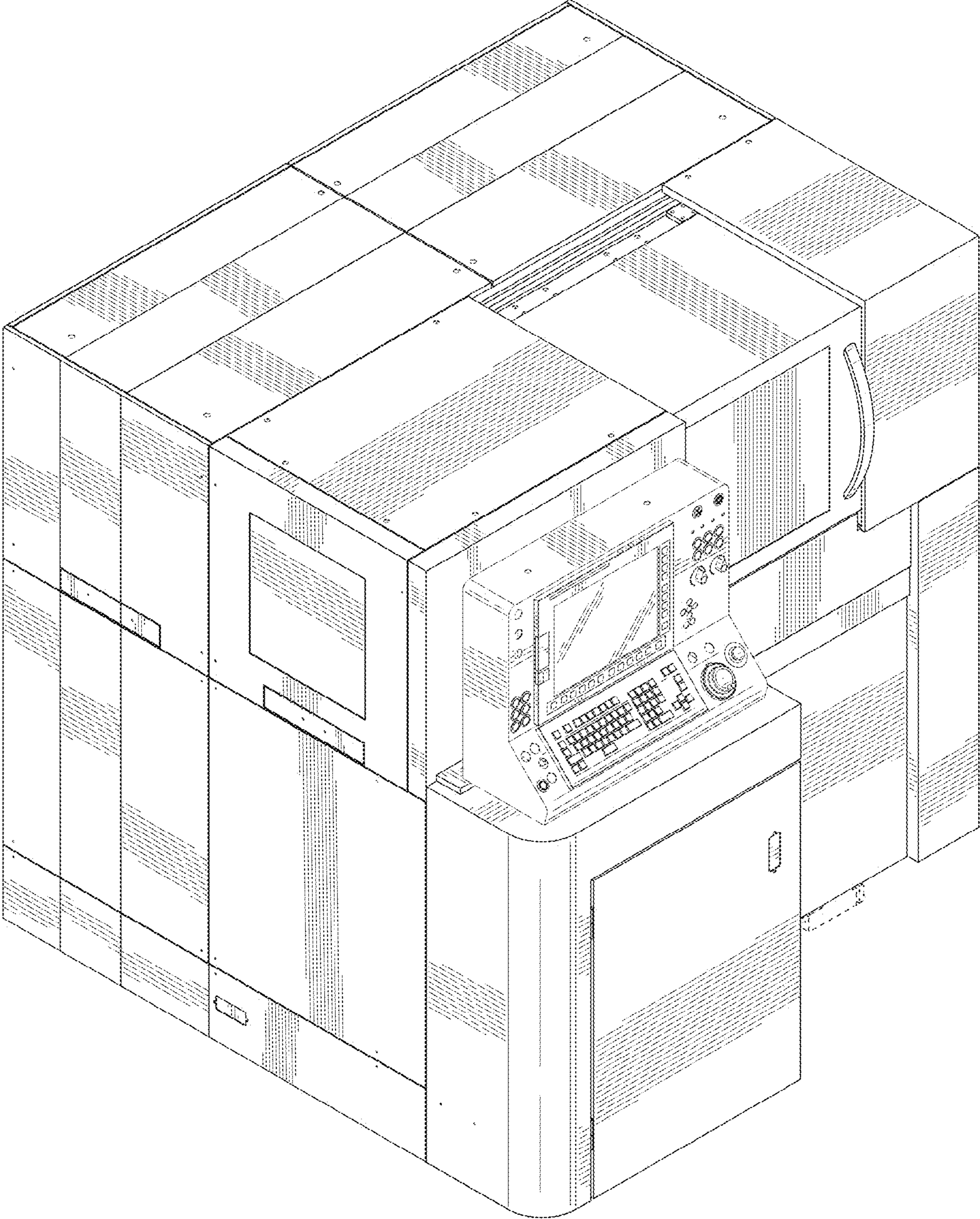


FIG. 1

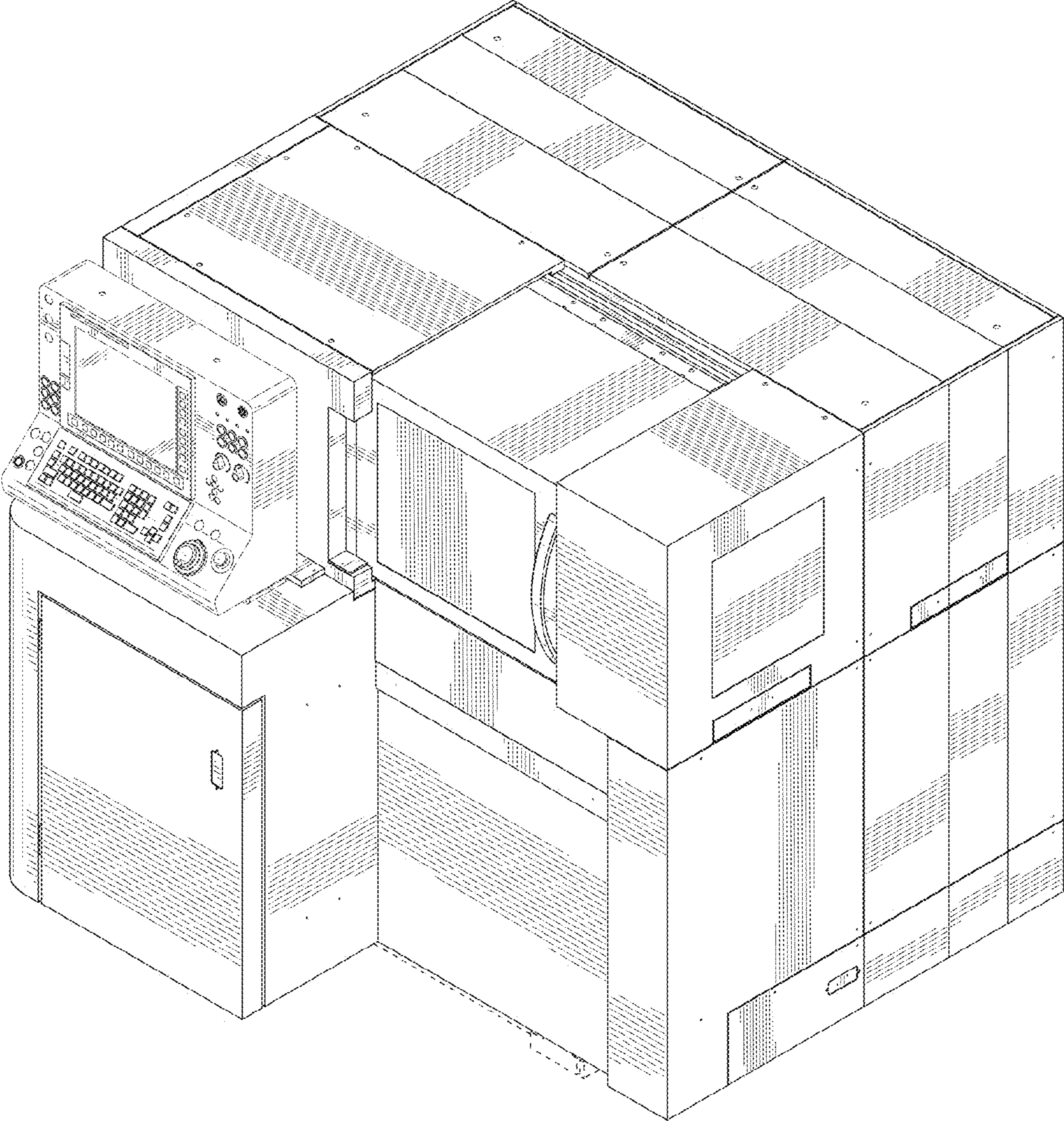


FIG. 2

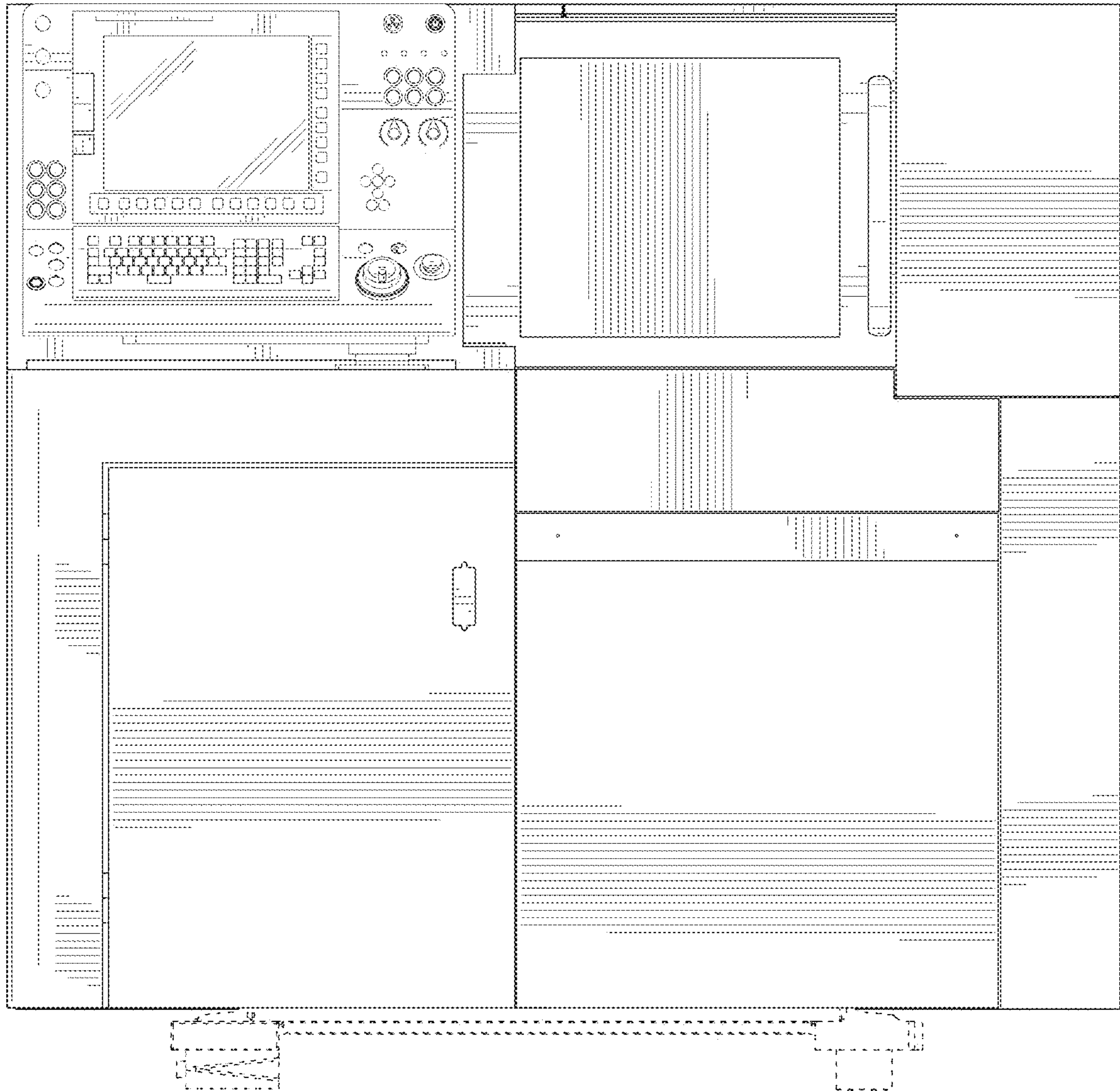


FIG. 3

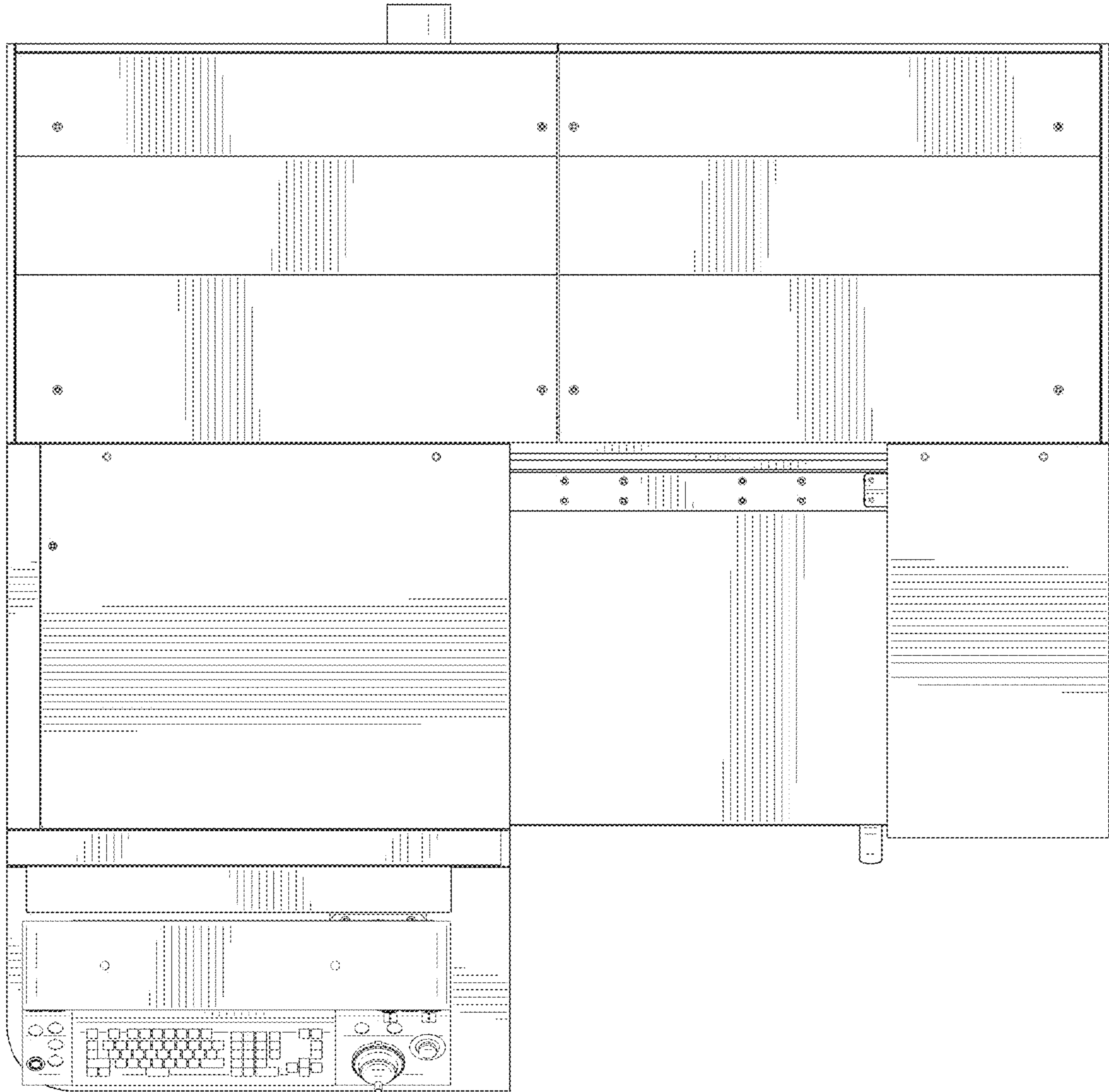


FIG. 4

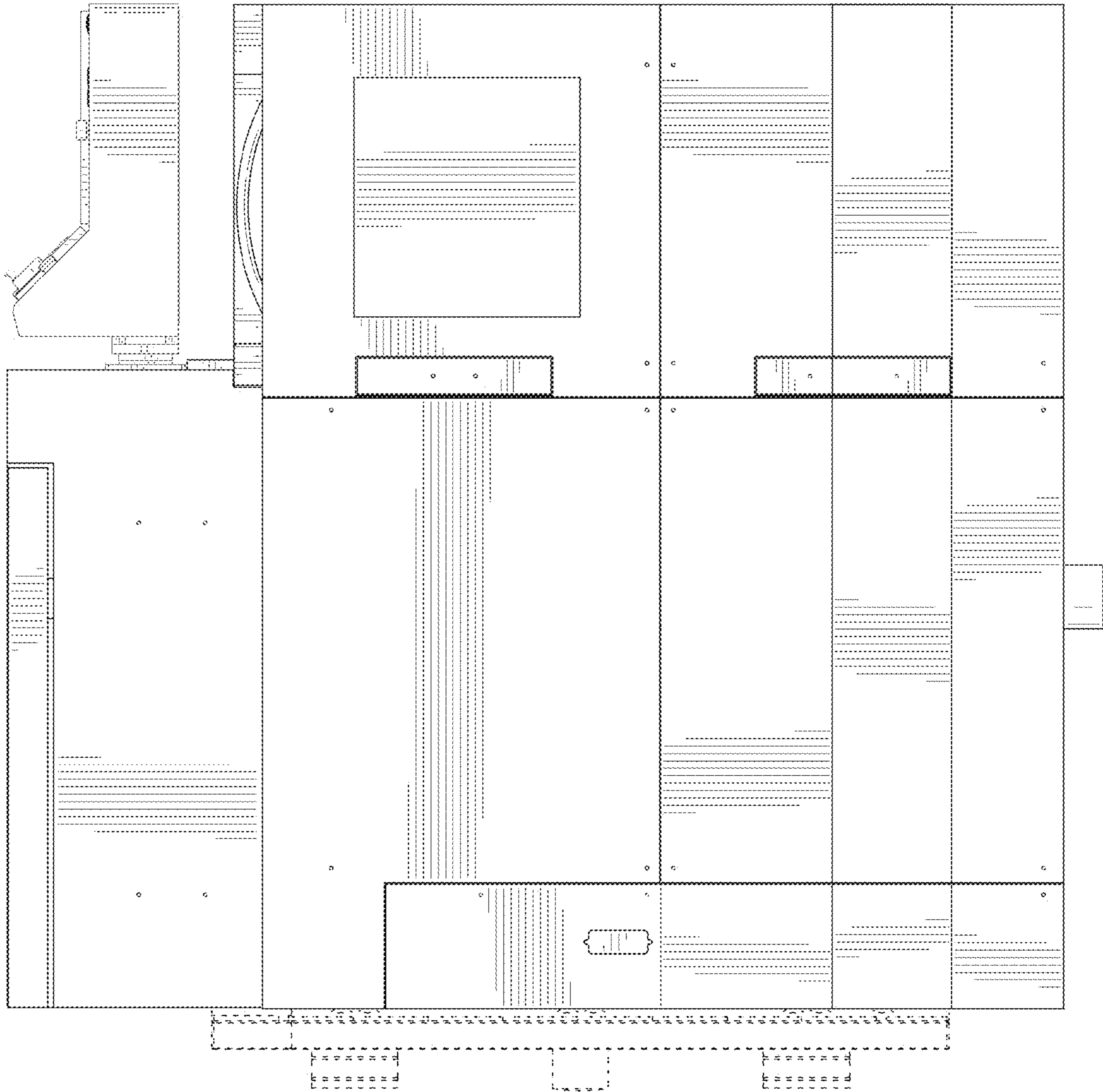


FIG. 5

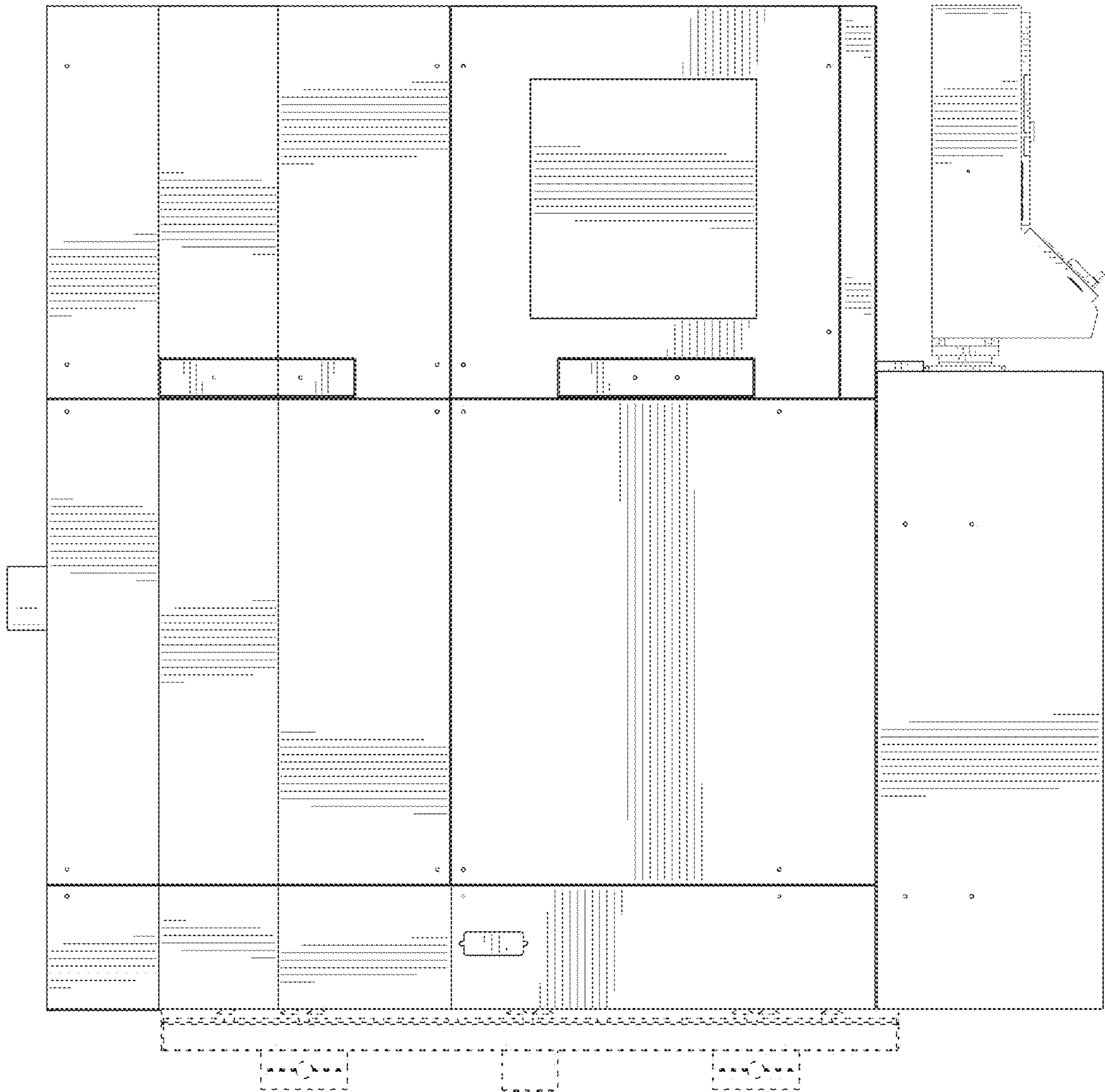


FIG. 6