



US00D946065S

(12) **United States Design Patent**
d'Epenoux et al.

(10) **Patent No.:** **US D946,065 S**
(45) **Date of Patent:** **** Mar. 15, 2022**

(54) **COLOR DISPENSING MACHINE**

(74) *Attorney, Agent, or Firm* — Calderone Bullock LLC

(71) Applicants: **COROB S.p.A.**, San Felice sul Panaro (IT); **PPG Industries Ohio, Inc.**, Cleveland, OH (US)

(57) **CLAIM**

The ornamental design for a color dispensing machine, as shown and described.

(72) Inventors: **Alban R. d'Epenoux**, Chiqny (CH); **Joanne Sarah Thompson**, Acton (GB); **Giuseppe Casalini**, Canegrate (IT); **Andrea Bergamini**, Nonantola (IT)

DESCRIPTION

(73) Assignees: **Corob S.p.A.**, San Felice sul Panaro (IT); **PPG Industries Ohio, Inc.**, Cleveland, OH (US)

FIG. 1 is a perspective view of an embodiment of a color dispensing machine in a closed position;
FIG. 2 is a perspective view of the color dispensing machine of FIG. 1 in a closed position showing an exploded view;
FIG. 3 is a perspective view of the color dispensing machine of FIG. 1 in an open position;
FIG. 4 is a perspective view of the color dispensing machine of FIG. 1 in a partial open position;
FIG. 5 is a rear elevational view of the color dispensing machine of FIG. 1;
FIG. 6 is a right side view of the color dispensing machine of FIG. 1;
FIG. 7 is a perspective view of the main section of the color dispensing machine of FIG. 1 shown removed for clarity;
FIG. 8 is a perspective view of a second embodiment of a color dispensing machine;
FIG. 9 is a perspective view of the color dispensing machine of FIG. 8 in a closed position showing an exploded view;
FIG. 10 is a perspective view of the color dispensing machine of FIG. 8 in an open position;
FIG. 11 is a perspective view of the color dispensing machine of FIG. 8 in a partial open position;
FIG. 12 is a rear perspective view of the color dispensing machine of FIG. 8;
FIG. 13 is a right side view of the color dispensing machine of FIG. 8; and,
FIG. 14 is a perspective view of the main section of the color dispensing machine of FIG. 8 shown removed for clarity.
The elements shown in the drawings in broken lines form no part of the design to be patented.

(**) Term: **15 Years**

(21) Appl. No.: **29/682,401**

(22) Filed: **Mar. 5, 2019**

(51) **LOC (13) Cl.** **15-09**

(52) **U.S. Cl.**
USPC **D15/122**

(58) **Field of Classification Search**
USPC D15/7, 122, 145, 147, 199; D23/255
(Continued)

(56) **References Cited**

U.S. PATENT DOCUMENTS

D184,967 S * 4/1959 Stuman D15/122
2,979,233 A * 4/1961 Smith B01F 13/1055
222/135

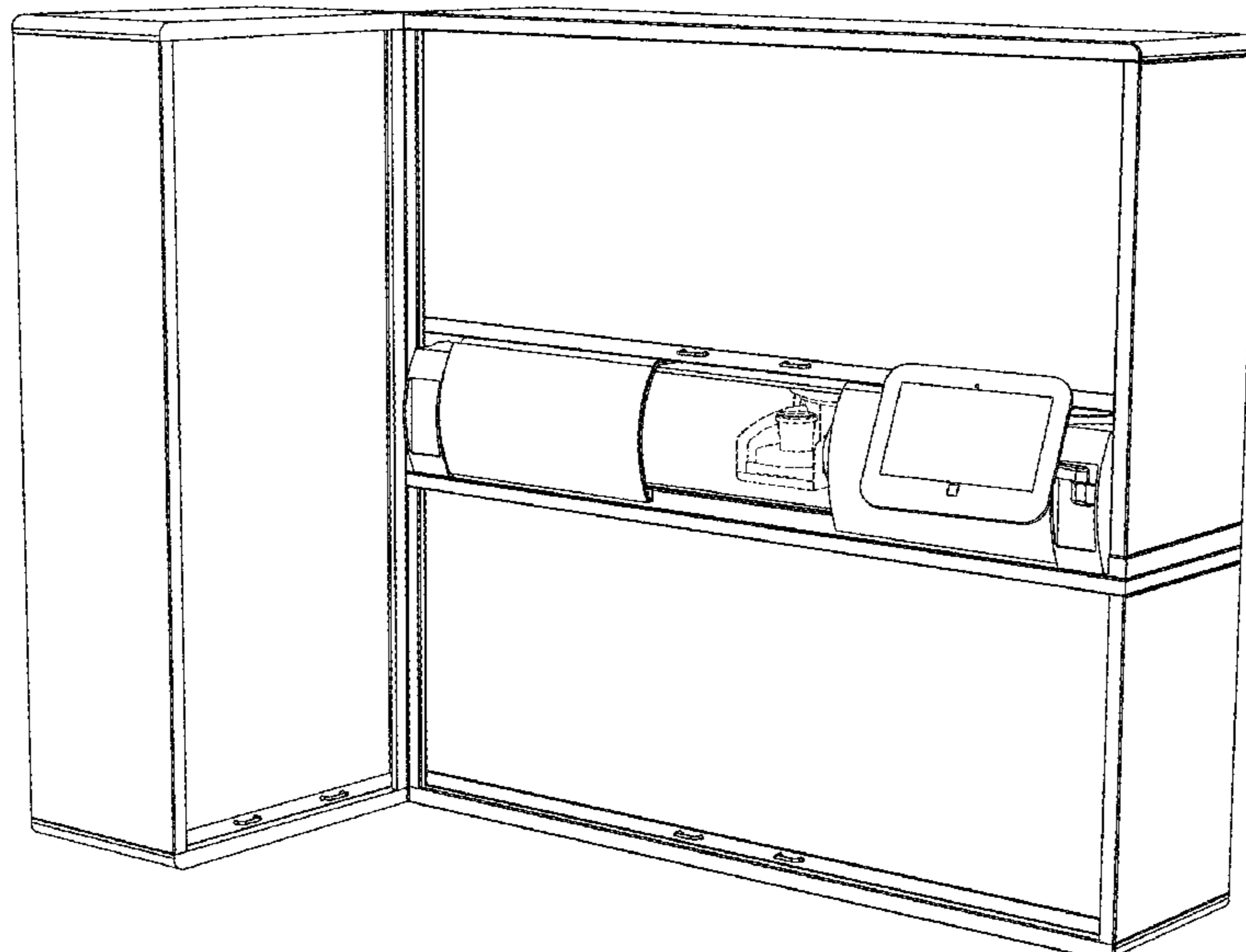
(Continued)

OTHER PUBLICATIONS

<https://www.tradeindia.com/fp253043/Automatic-Color-Dispenser-Machine.html>-Apr. 28, 2009 (Year: 2009).*

Primary Examiner — Patricia A Palasik

1 Claim, 14 Drawing Sheets



- (58) **Field of Classification Search**
 CPC B01F 13/1055; B01F 15/0201; B01F
 15/0237; B01F 2215/005; B05C 11/1002;
 B44D 3/003
 See application file for complete search history.

(56) **References Cited**

U.S. PATENT DOCUMENTS

D222,982	S	*	2/1972	Szczepanski	D15/199
D241,160	S	*	8/1976	Gurian et al.	D15/122
4,027,785	A	*	6/1977	Edstrom B01F 13/1055	
					222/135	
D254,973	S	*	5/1980	Ahrenskou-Sorensen	
					D15/199	
D262,628	S	*	1/1982	Meyer	D15/199
D262,629	S	*	1/1982	Meyer	D15/122
D279,784	S	*	7/1985	Roudebush	D15/7
D347,646	S	*	6/1994	Mayberry	D15/199
5,328,057	A	*	7/1994	Hellenberg B01F 13/1055	
					222/135	
D349,506	S	*	8/1994	Caruso	D15/147
D472,253	S	*	3/2003	Reedy	D15/199
D545,854	S	*	7/2007	Sato	D15/145

D621,426	S	*	8/2010	Fusejima	D15/122
D623,207	S	*	9/2010	Gentry, Jr.	D15/145
D623,208	S	*	9/2010	Parrish	D15/145
D659,728	S	*	5/2012	Mueller	D15/122
D664,171	S	*	7/2012	Gentry, Jr.	D15/145
D664,570	S	*	7/2012	Mueller	D15/122
D666,646	S	*	9/2012	Gentry, Jr.	D15/145
D667,031	S	*	9/2012	Mueller	D15/122
D671,972	S	*	12/2012	Okamoto	D15/145
D674,420	S	*	1/2013	Ueberschlag	D15/122
D684,614	S	*	6/2013	Bergamini	D15/199
D684,615	S	*	6/2013	Bergamini	D15/199
D684,616	S	*	6/2013	Bergamini	D15/199
D685,825	S	*	7/2013	Hoelbl	D15/122
D732,590	S	*	6/2015	Bedeschi	D15/199
D759,738	S	*	6/2016	Schonherr	D15/122
D766,998	S	*	9/2016	Kao	D15/122
D795,319	S	*	8/2017	Bedeschi	D15/199
D797,822	S	*	9/2017	Grobe	D15/122
D816,129	S	*	4/2018	Albrecht	D15/122
D865,010	S	*	10/2019	Wakao	D15/122
D873,873	S	*	1/2020	Sollberger	D15/122
D884,754	S	*	5/2020	Andre	D15/122
D901,566	S	*	11/2020	Bonpain	D15/145

* cited by examiner

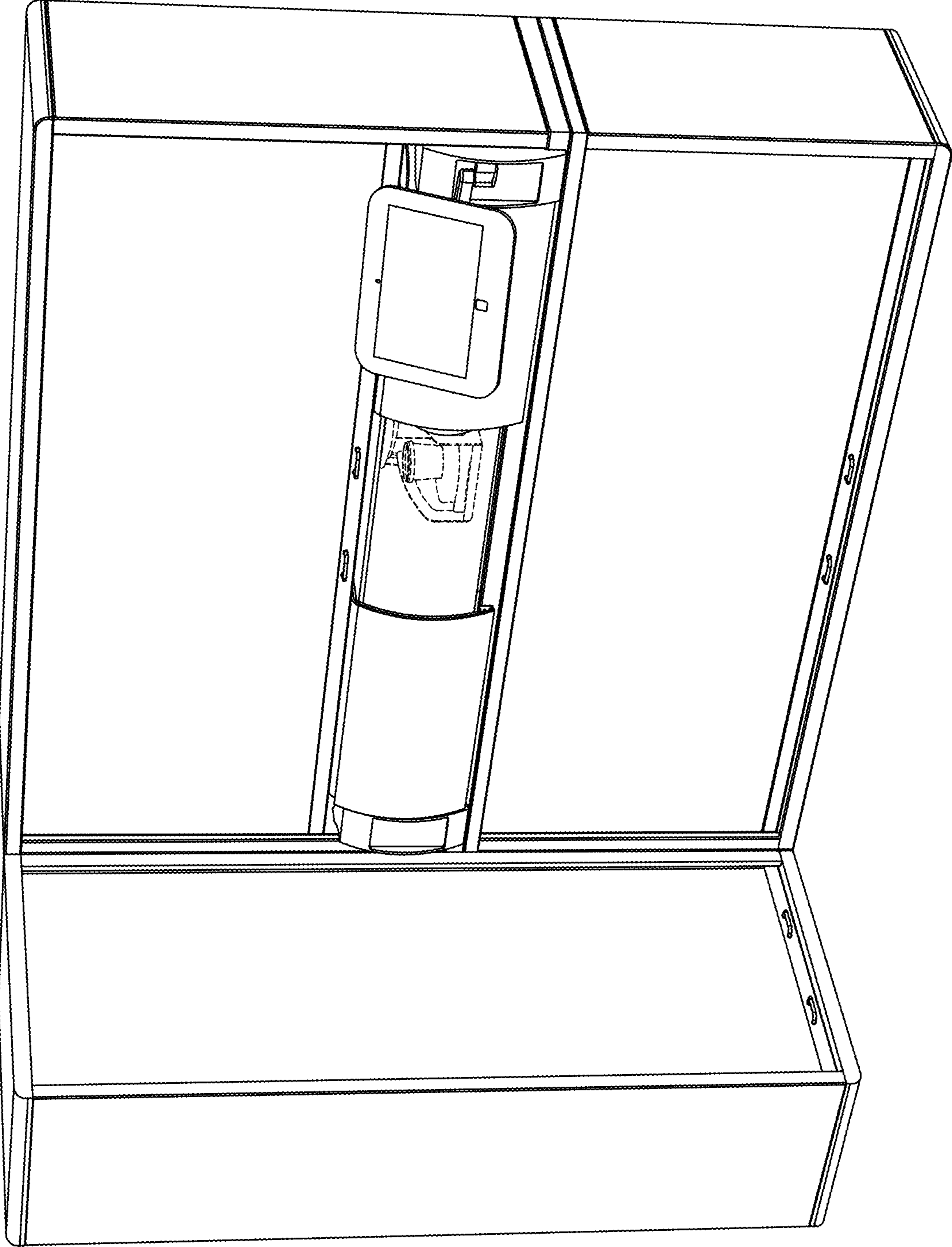


FIG. 1

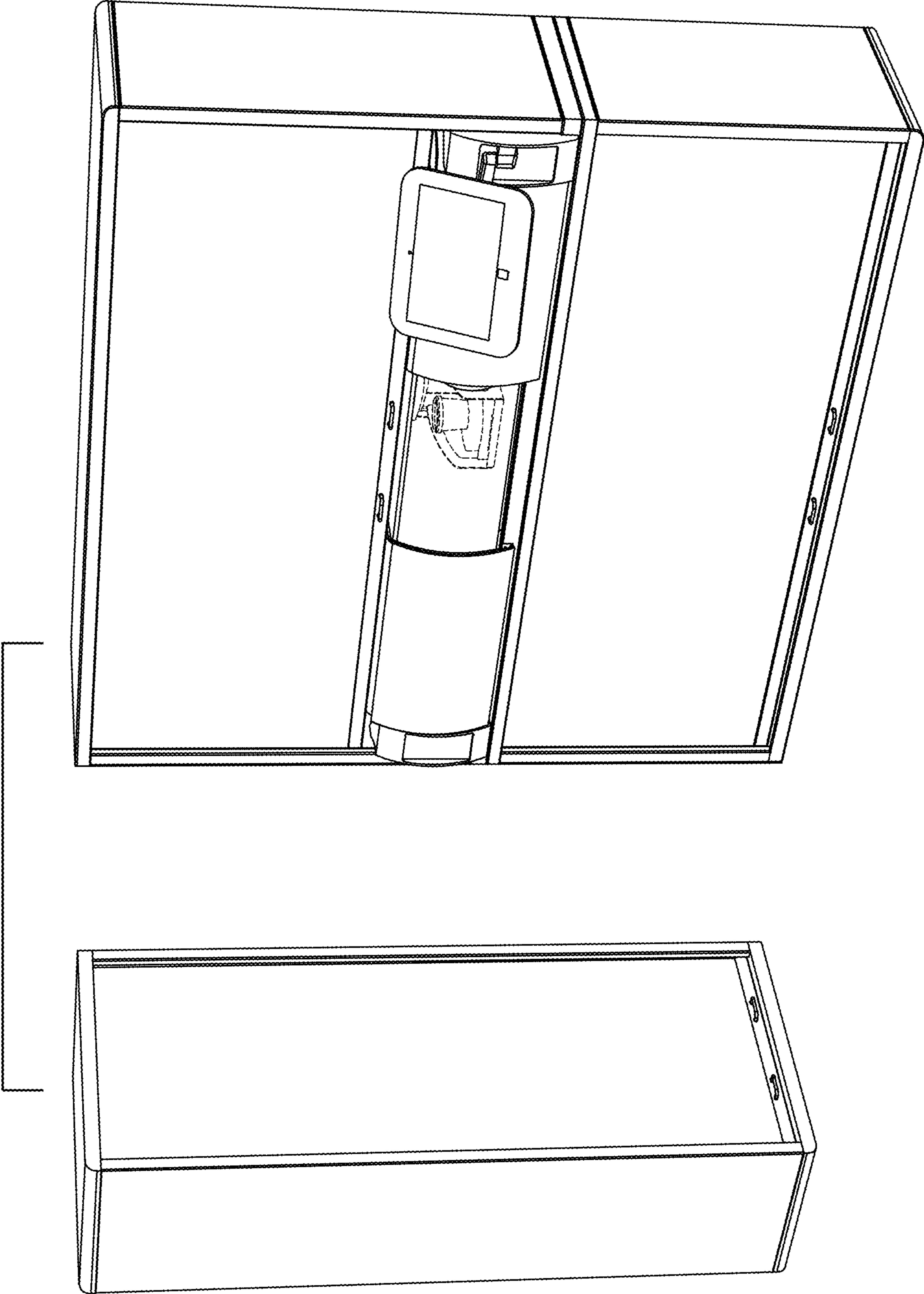


FIG. 2

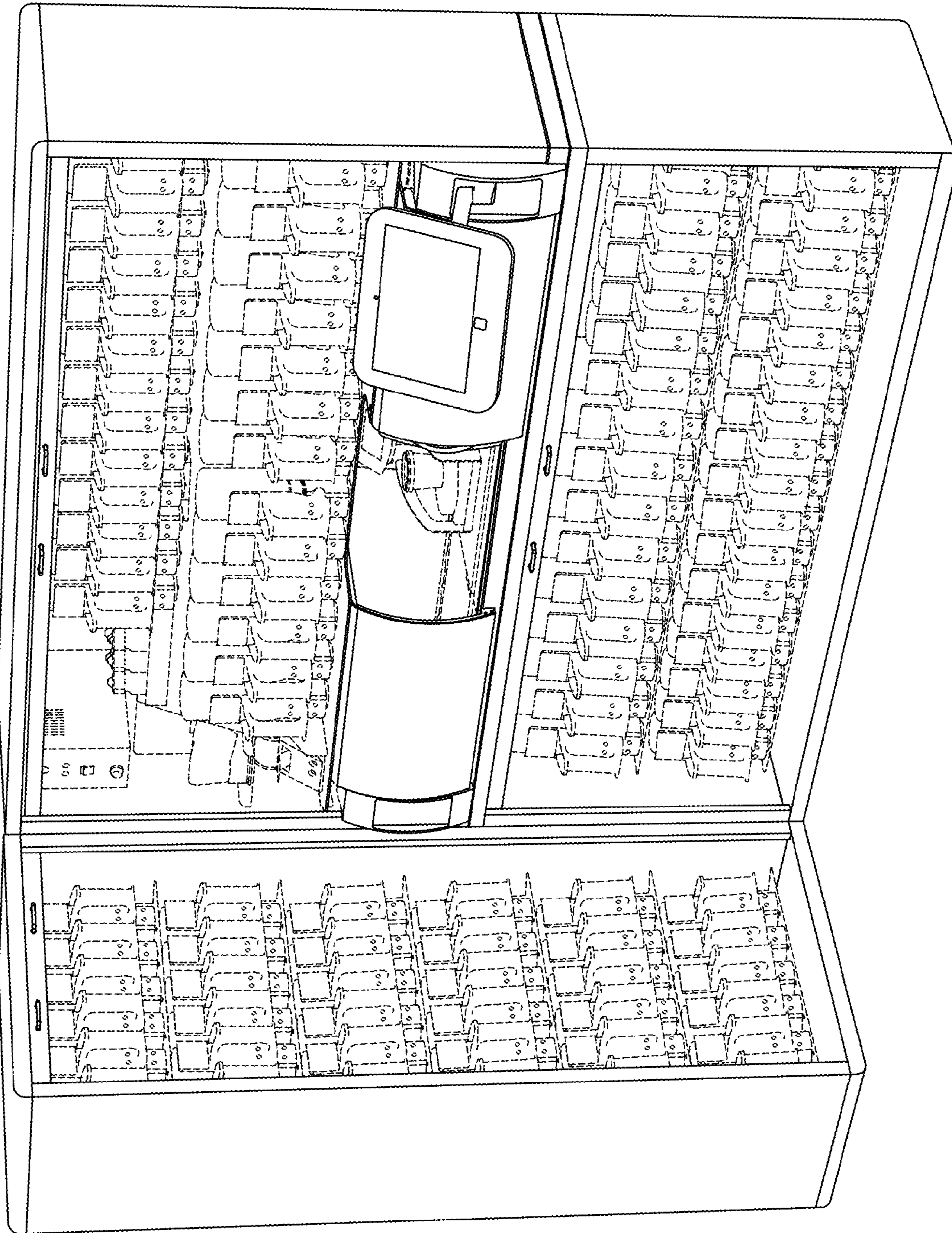


FIG. 3

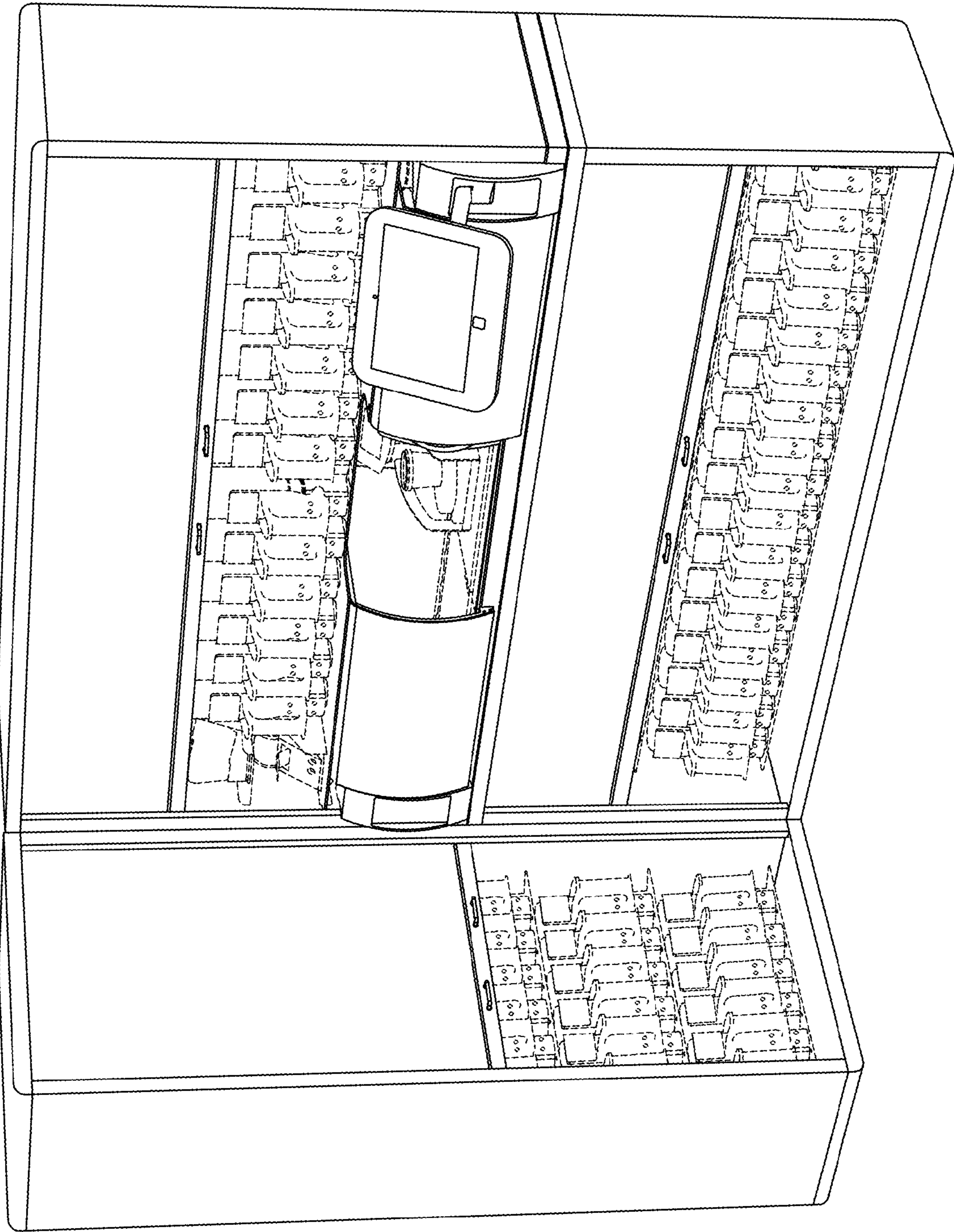


FIG. 4

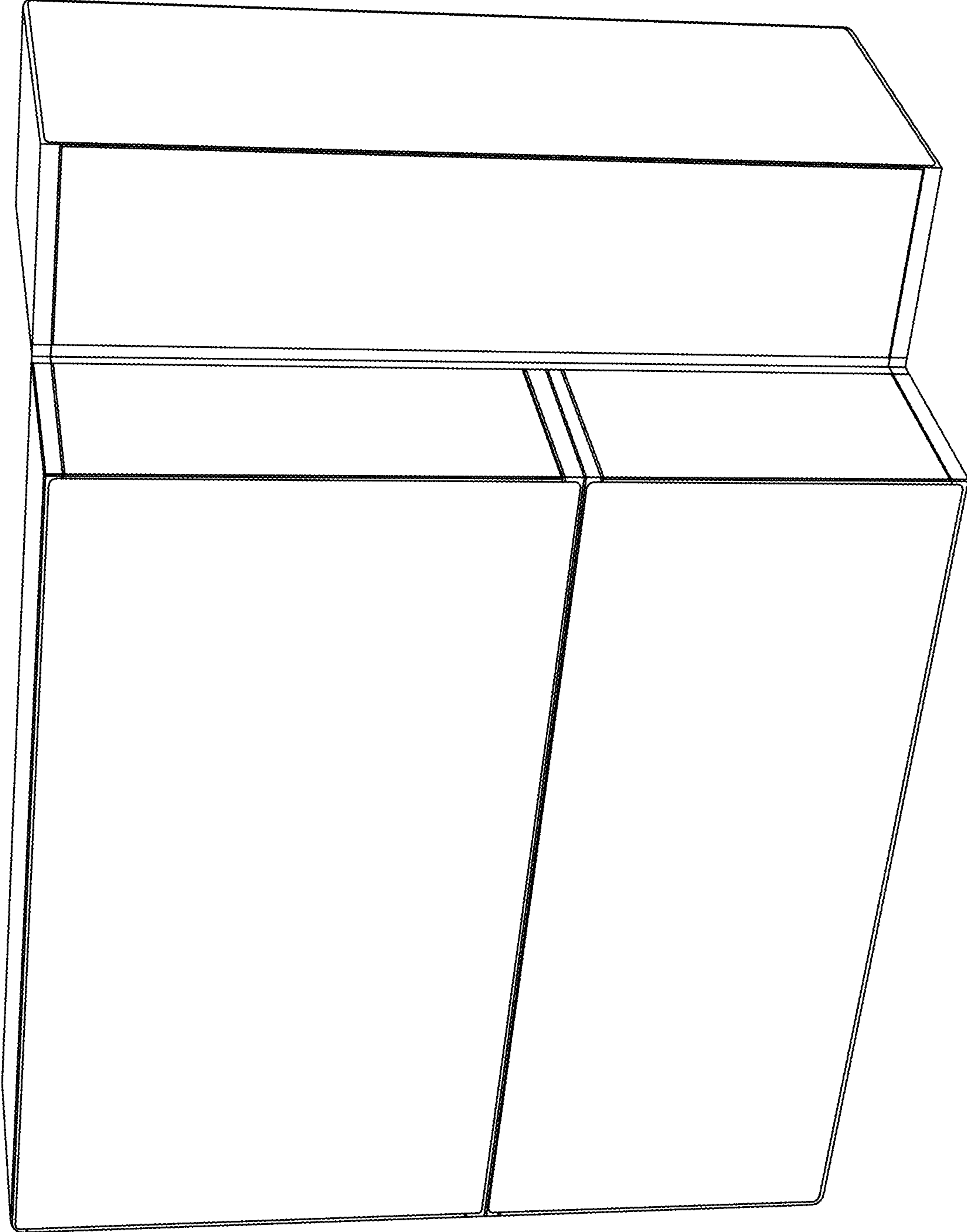


FIG. 5

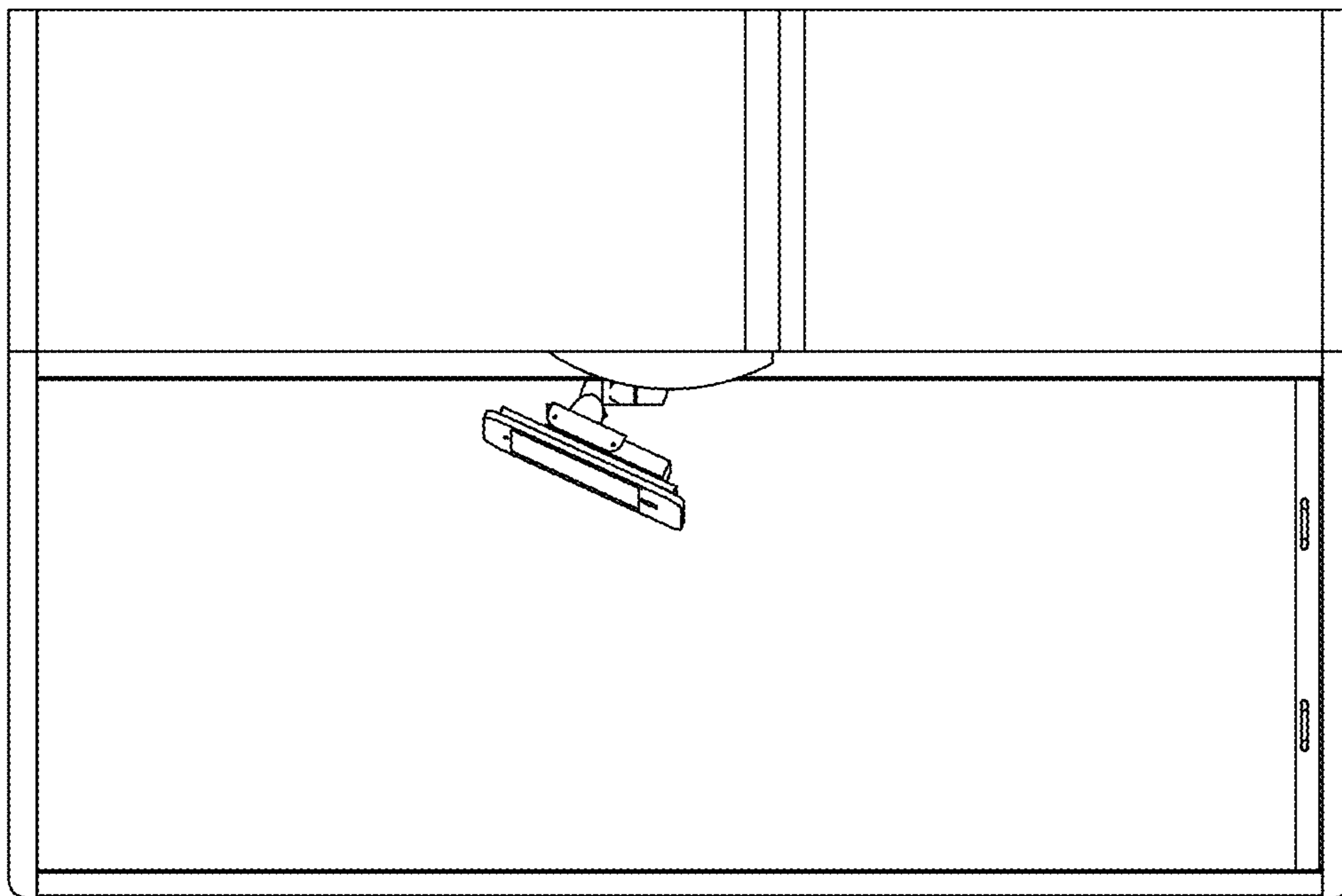


FIG. 6

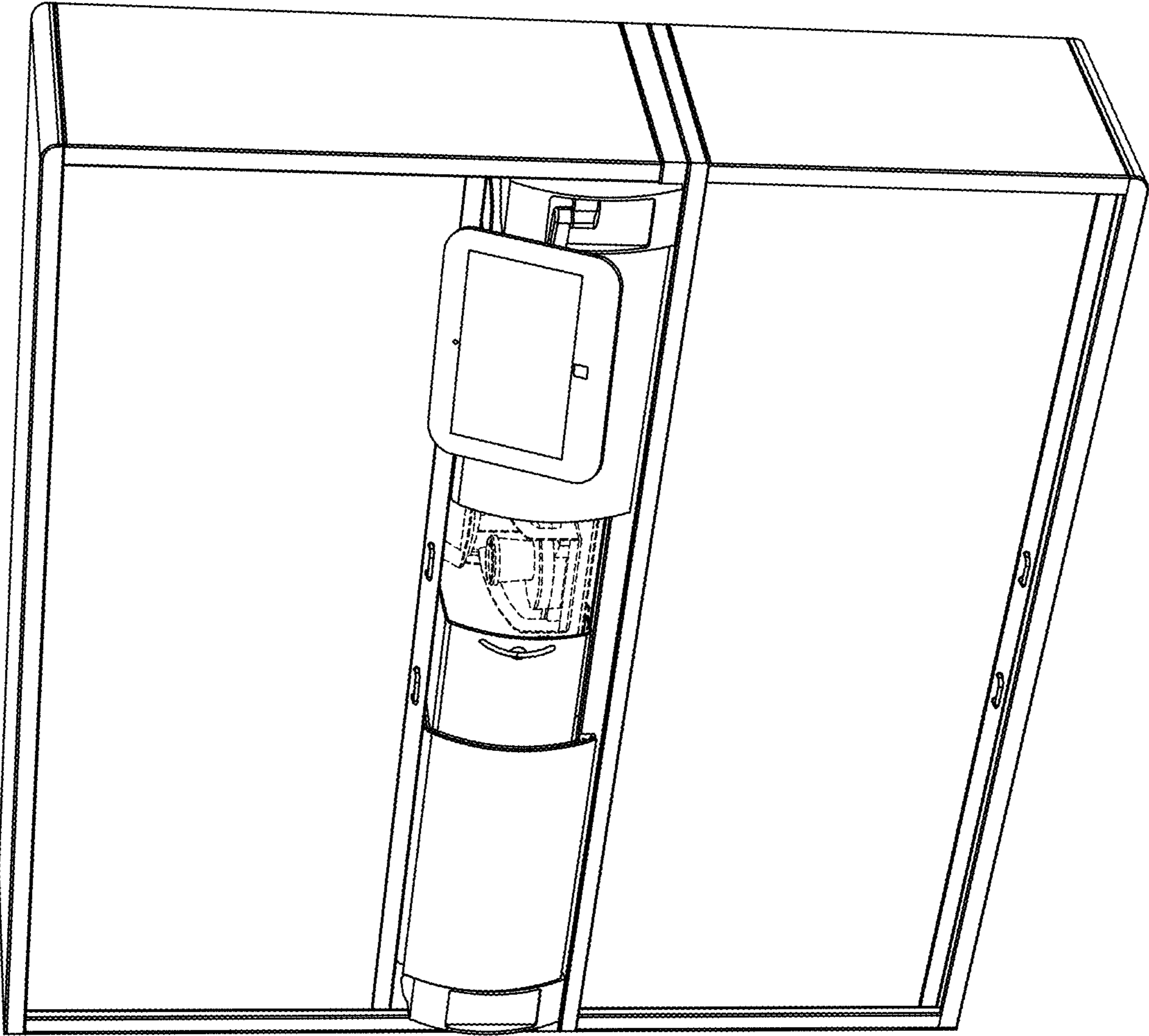


FIG. 7

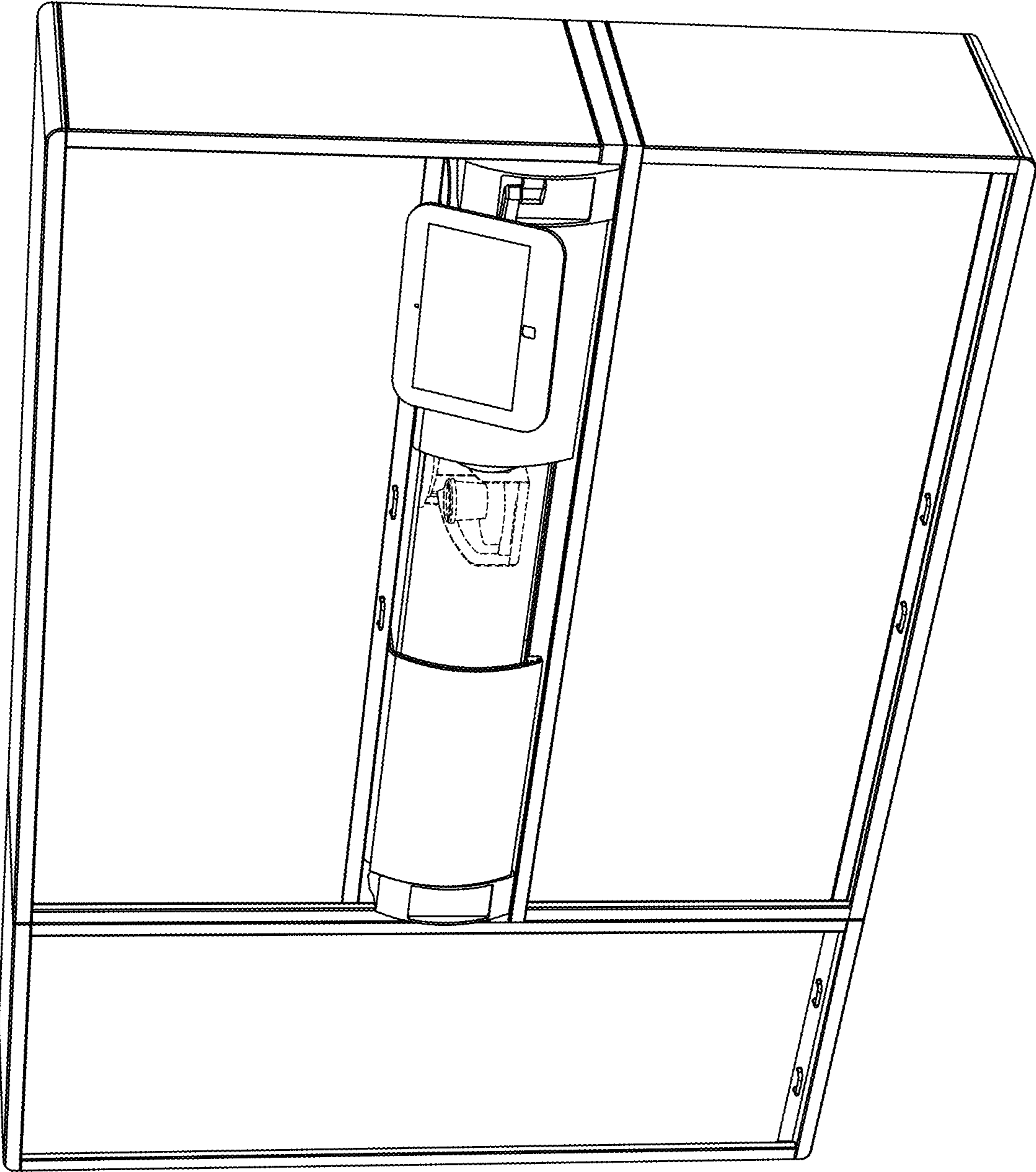


FIG. 8

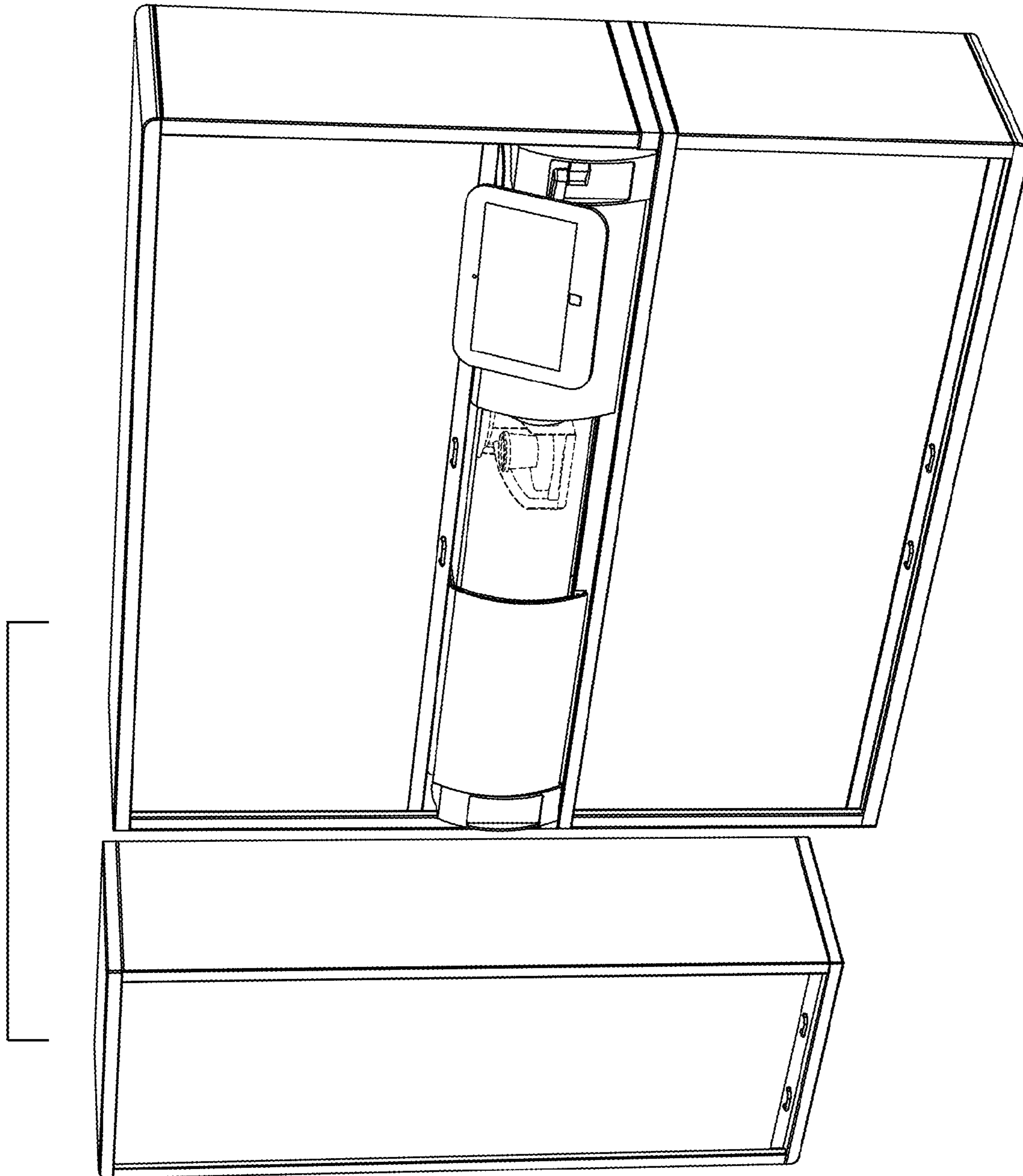


FIG. 9

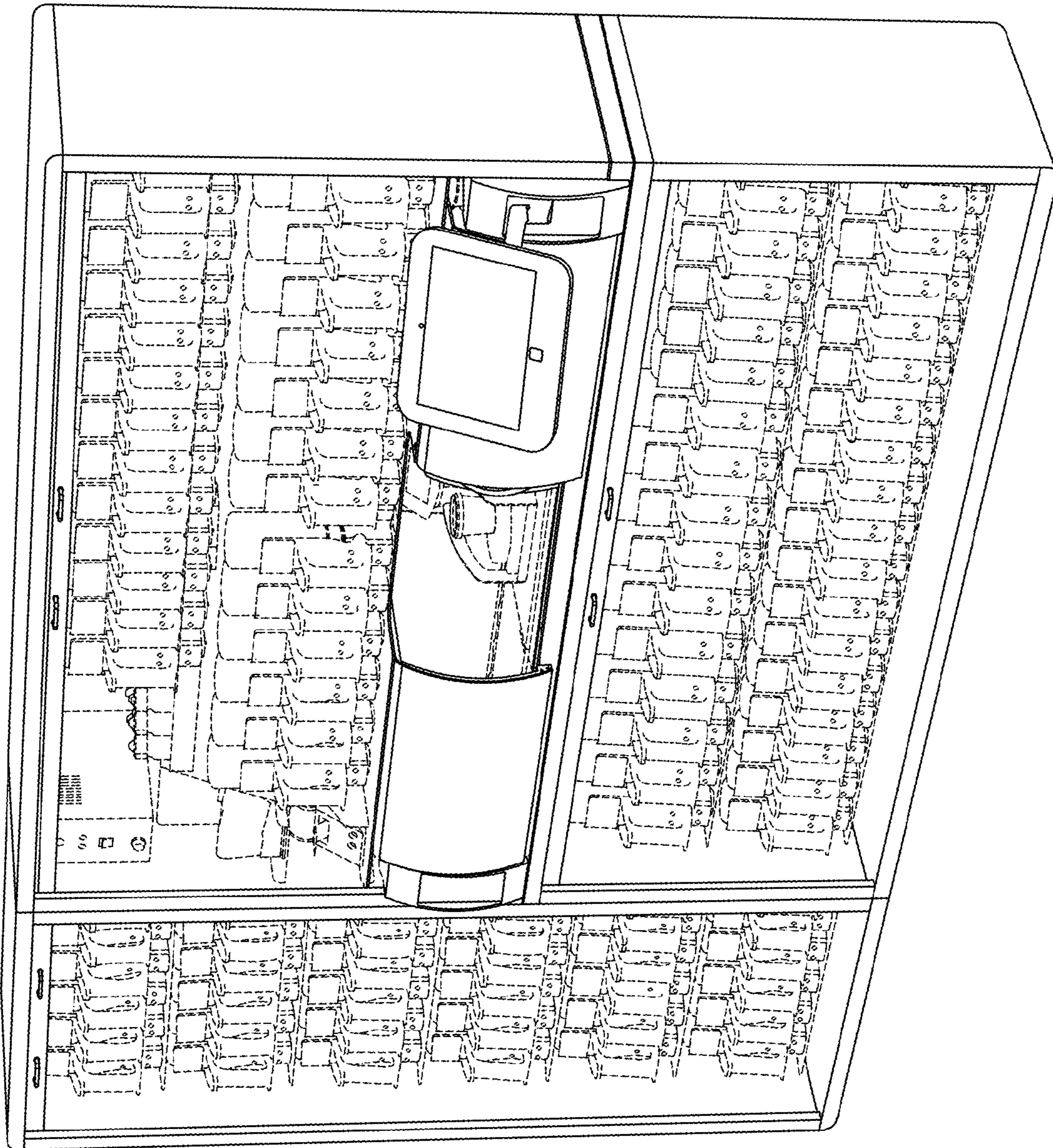


FIG. 10

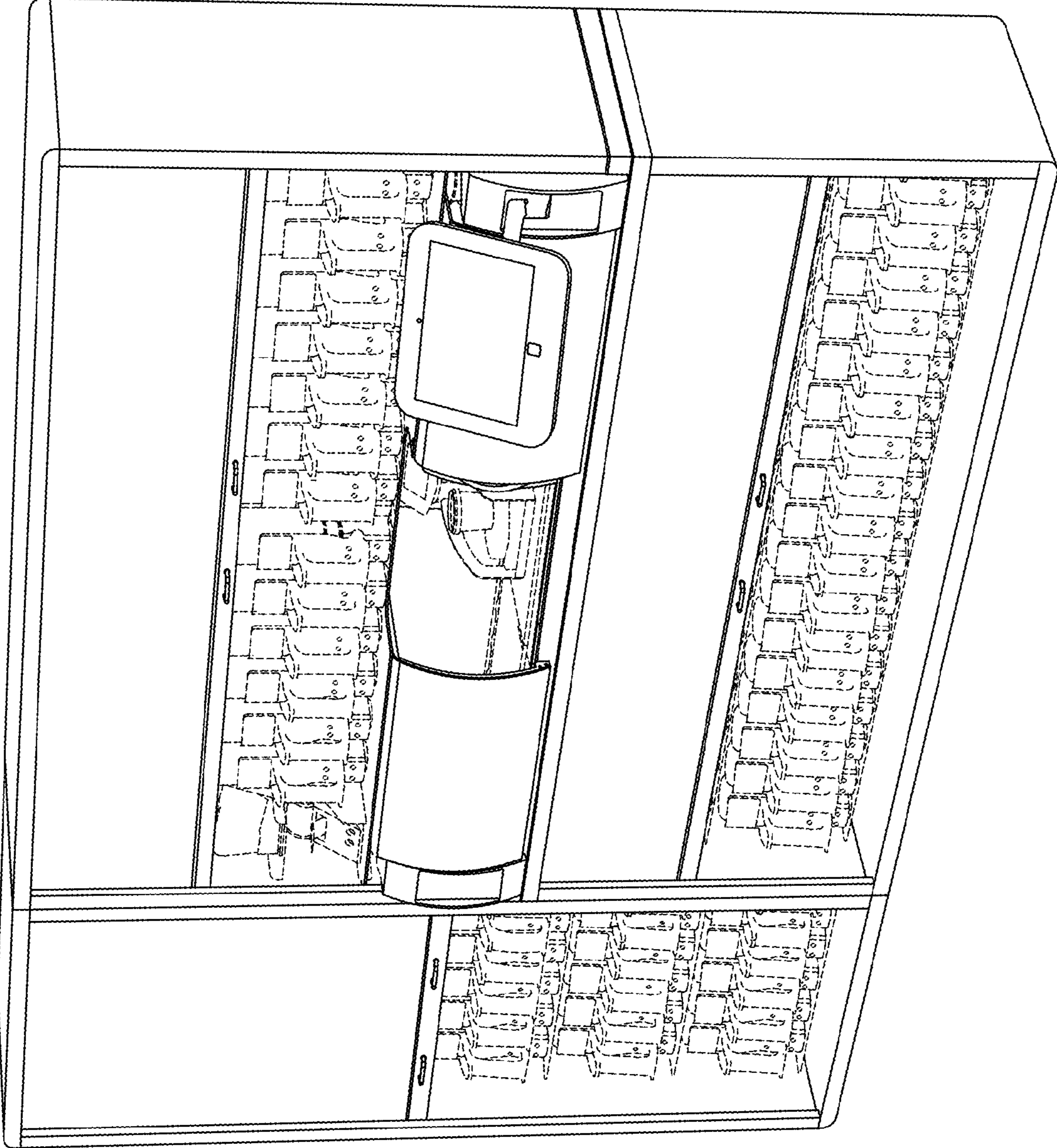


FIG. 11

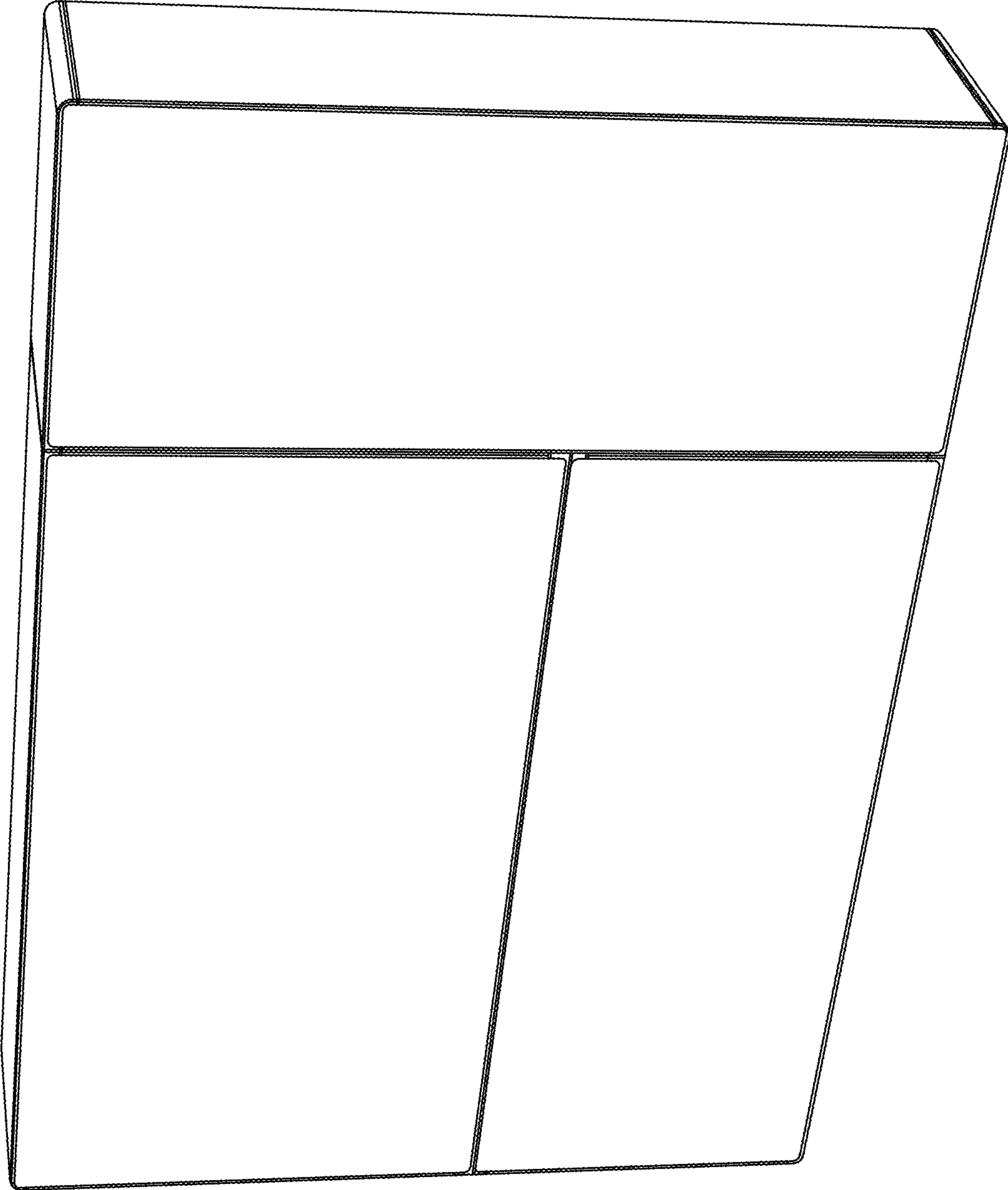


FIG. 12

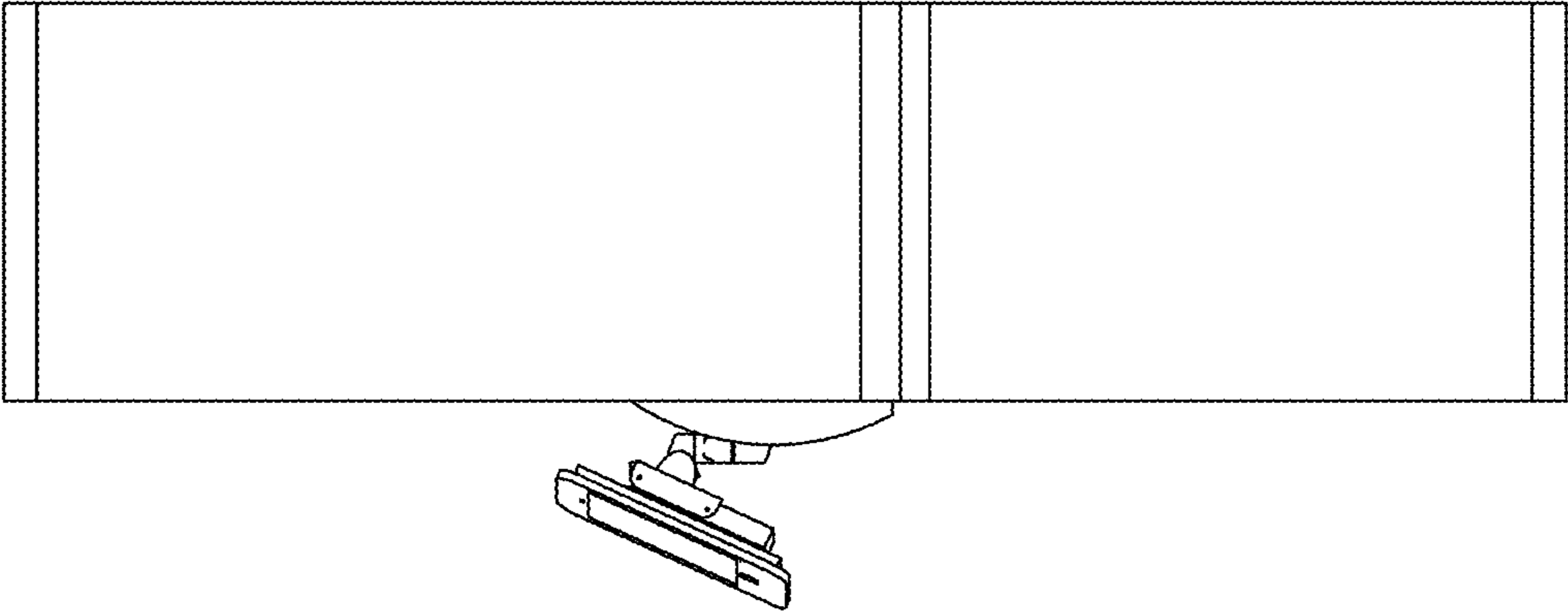


FIG. 13

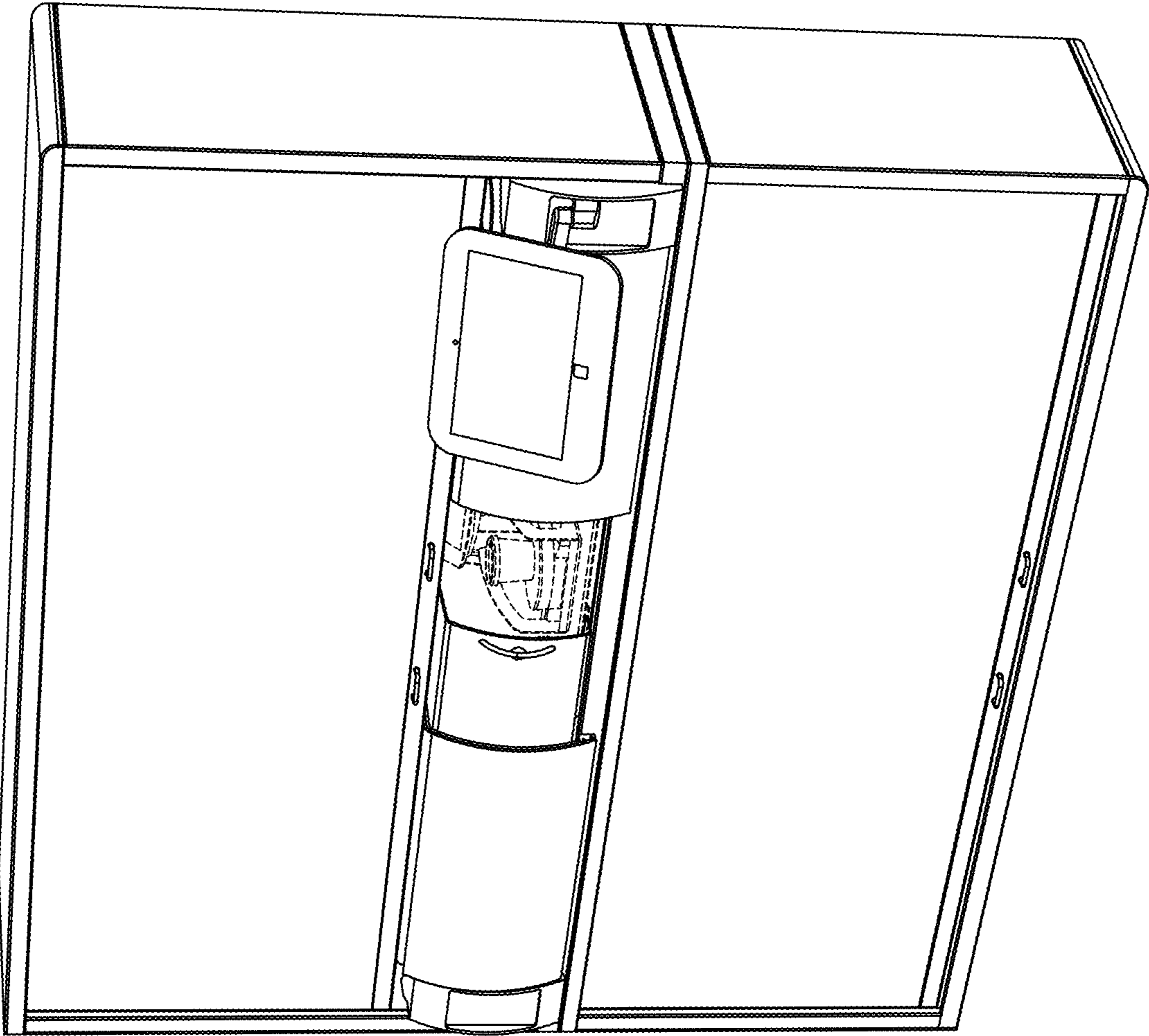


FIG. 14