



US00D946064S

(12) **United States Design Patent**
Zheng

(10) **Patent No.:** **US D946,064 S**
(45) **Date of Patent:** **** Mar. 15, 2022**

(54) **ICE CUBE MOLD**

(71) Applicant: **Fuhong Zheng**, Lufeng (CN)

(72) Inventor: **Fuhong Zheng**, Lufeng (CN)

(**) Term: **15 Years**

(21) Appl. No.: **29/776,999**

(22) Filed: **Apr. 1, 2021**

(51) **LOC (13) Cl.** **15-07**

(52) **U.S. Cl.**
USPC **D15/90**

(58) **Field of Classification Search**
USPC D7/300, 357, 360, 368, 387, 603, 605,
D7/608, 619, 669, 672; D15/79-91;
D1/100

CPC F25C 2400/10; F25C 5/005; F25C 1/04;
F25C 1/10; F25C 1/24; F25C 2305/022;
F25C 2600/04; F25C 2700/14; F25C
5/06; F25C 5/182; F25C 1/08; F25C
2400/14; F25C 2500/02; A47J 43/00;
A47J 43/20; A47J 9/00; A47J 9/007;
F25D 17/06

See application file for complete search history.

(56) **References Cited**

U.S. PATENT DOCUMENTS

D245,008 S	*	7/1977	LaLonde	D15/90
D466,758 S	*	12/2002	Bradley	220/23.8
D616,250 S	*	5/2010	Peyton	D7/553.3
D636,412 S	*	4/2011	Misse	D15/90
D706,316 S	*	6/2014	Hoyord	D15/90
D759,735 S	*	6/2016	Tsai	D15/90
D819,094 S		5/2018	Hume		
D859,060 S	*	9/2019	Mirchandani	D7/360
D871,234 S	*	12/2019	Grove	D9/761
D887,460 S	*	6/2020	Sendowski	D15/90
D899,470 S		10/2020	Liu		
D905,133 S	*	12/2020	Sendowski	D15/90
D906,379 S	*	12/2020	Sendowski	D15/90

D910,090 S	*	2/2021	Chen	D15/90
D912,108 S	*	3/2021	Morris	D15/90
D922,129 S	*	6/2021	Li	D7/357

OTHER PUBLICATIONS

Aichoof, 1-Cup Extra Large Freezing Tray for soup, broth, sauce or butter, (first available Jan. 14, 2021), Amazon.com, URL:<https://www.amazon.com/dp/B08R78LTCX> (Year: 2021).*

Souper Cube, 1-Cup Extra-Large Silicone Freezing Tray with Lid, (First available on Aug. 23, 2018), Amazon.com, URL:<https://www.amazon.com/Souper-Cubes-Extra-Large-Silicone-Freezing/dp/B07GSSR5V2> (Year: 2018).*

Kinggrand Kitchen, Large Ice Cube Trays Silicone Freezing Tray with Lid 2 Pack, (first available on Jun. 22, 2021), Amazon.com, URL:<https://www.amazon.com/Kinggrand-Kitchen-Silicone-Freezing-Portions/dp/B097P1W751> (Year: 2021).*

* cited by examiner

Primary Examiner — Calvin E Vansant

Assistant Examiner — Mark T. Philipps

(57) **CLAIM**

The ornamental design for an ice cube mold, as shown and described.

DESCRIPTION

FIG. 1 is a front elevational view of an ice cube mold showing my new design;

FIG. 2 is a rear elevational view thereof;

FIG. 3 is a left side elevational view thereof;

FIG. 4 is a right side elevational view thereof;

FIG. 5 is a top plan view thereof;

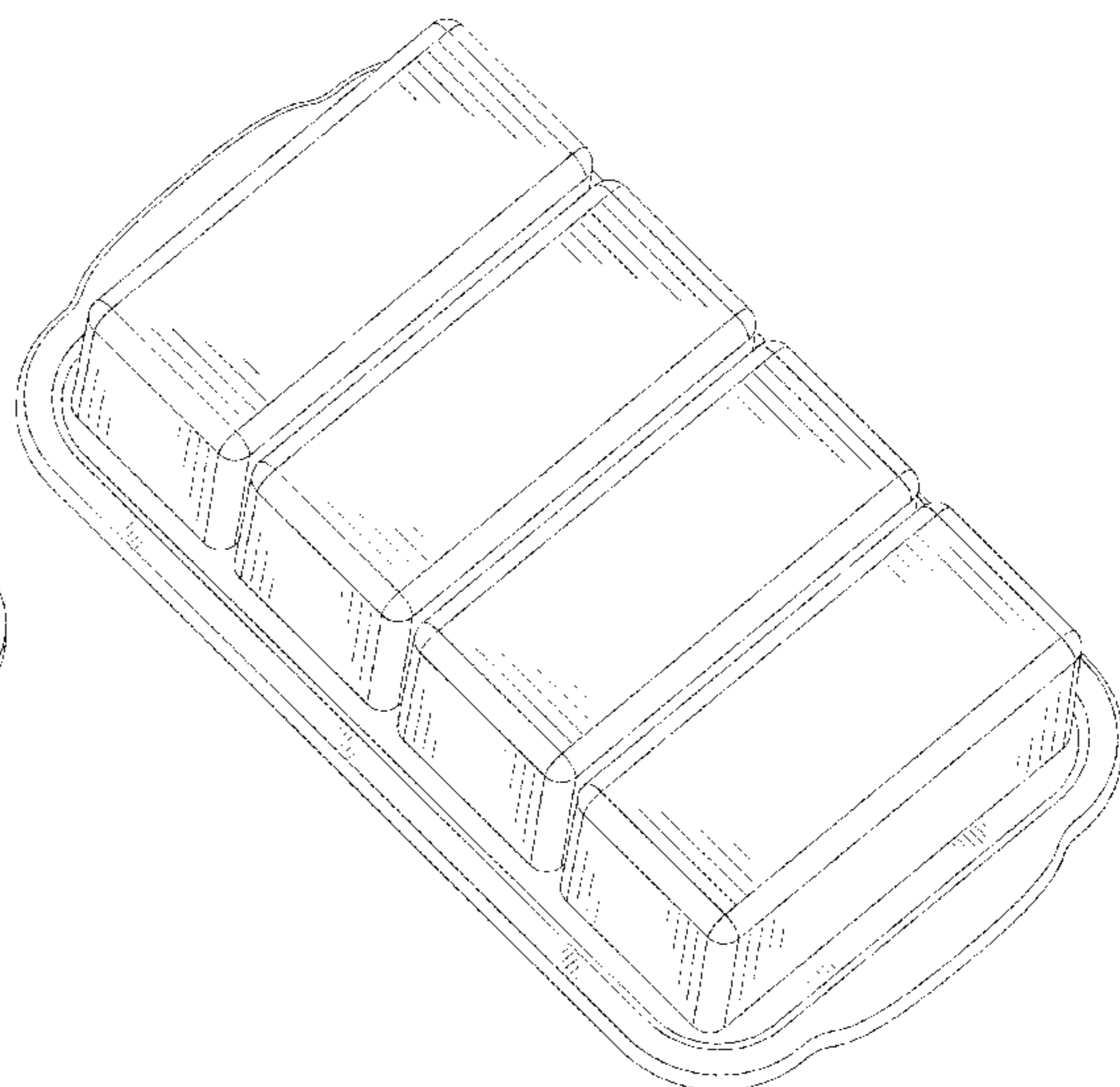
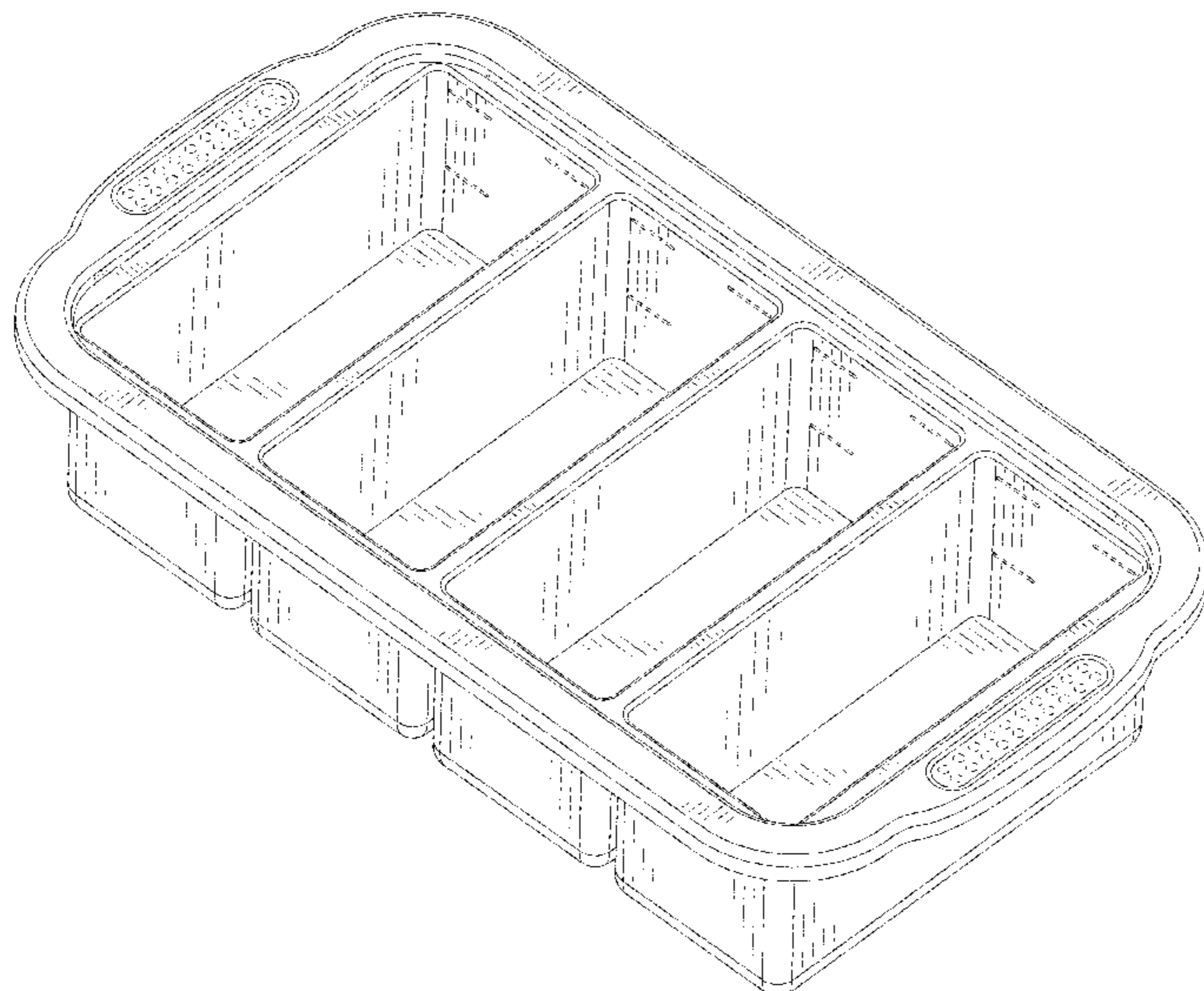
FIG. 6 is a bottom plan view thereof;

FIG. 7 is a perspective view thereof; and,

FIG. 8 is another perspective view thereof.

The broken lines in the drawings depict portions of the ice cube mold that form no part of the claimed design.

1 Claim, 8 Drawing Sheets



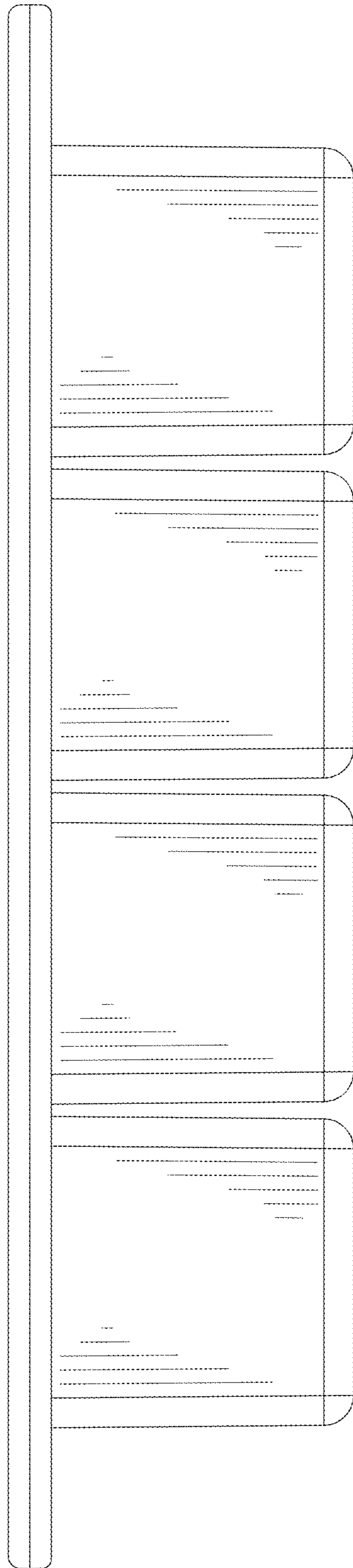


FIG. 1

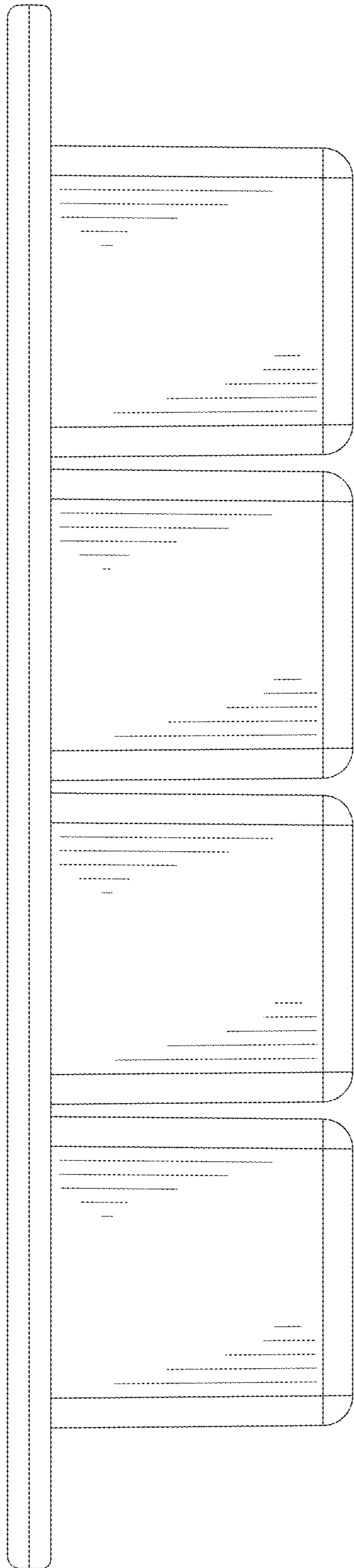


FIG. 2

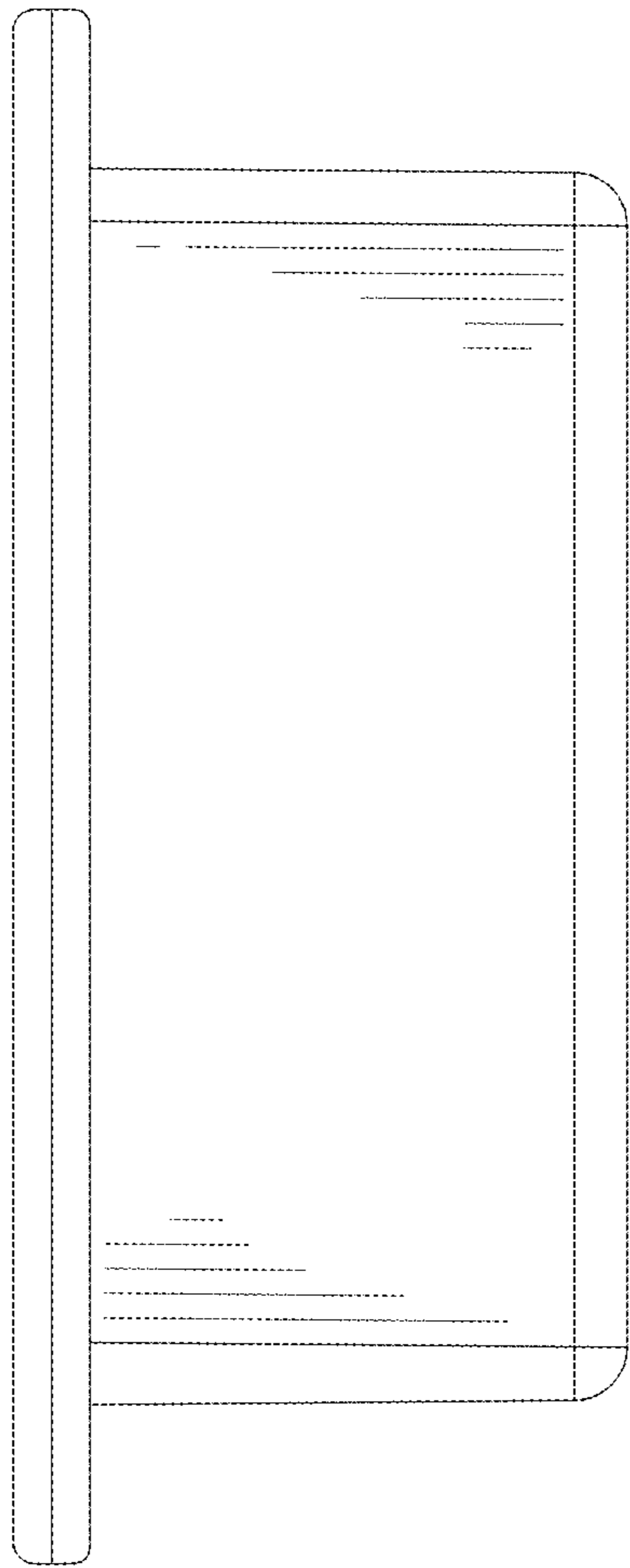


FIG. 3

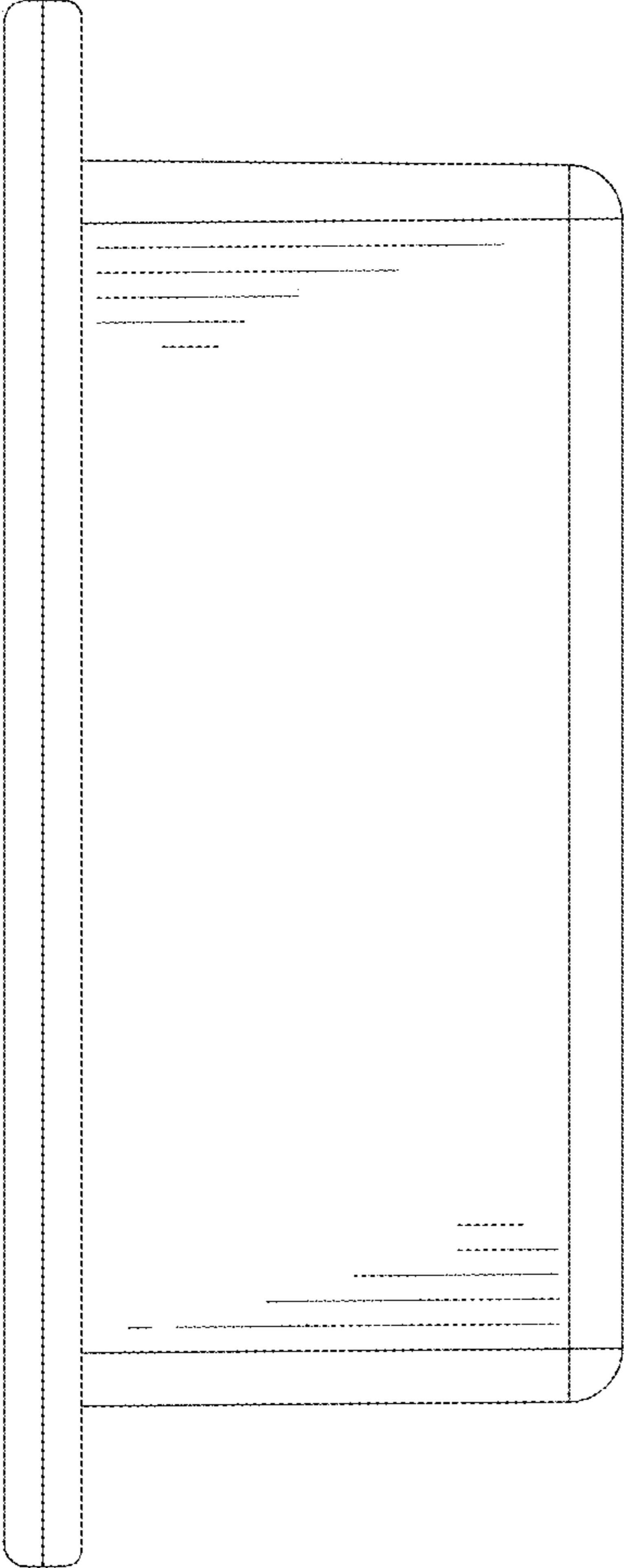


FIG. 4

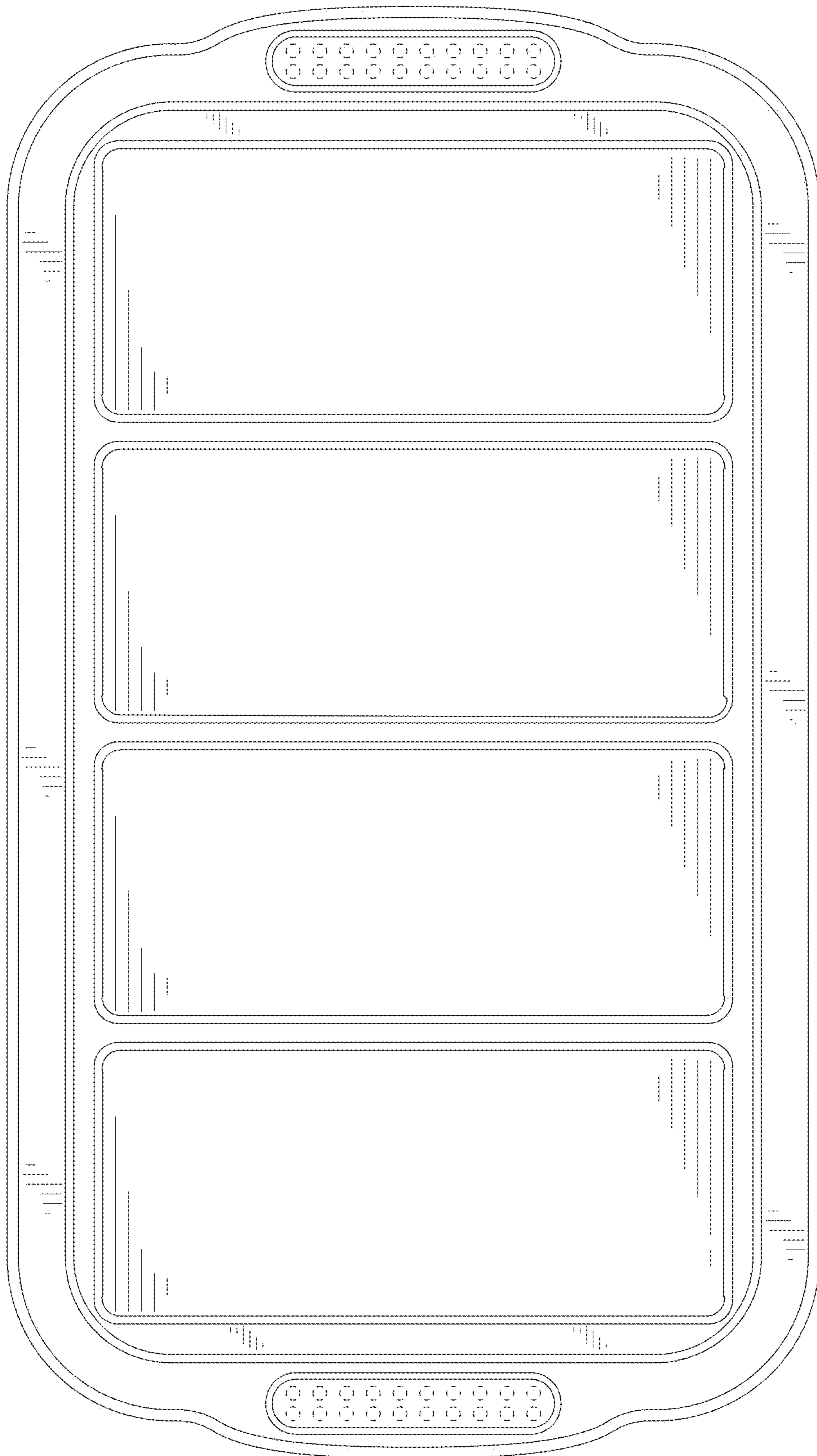


FIG. 5

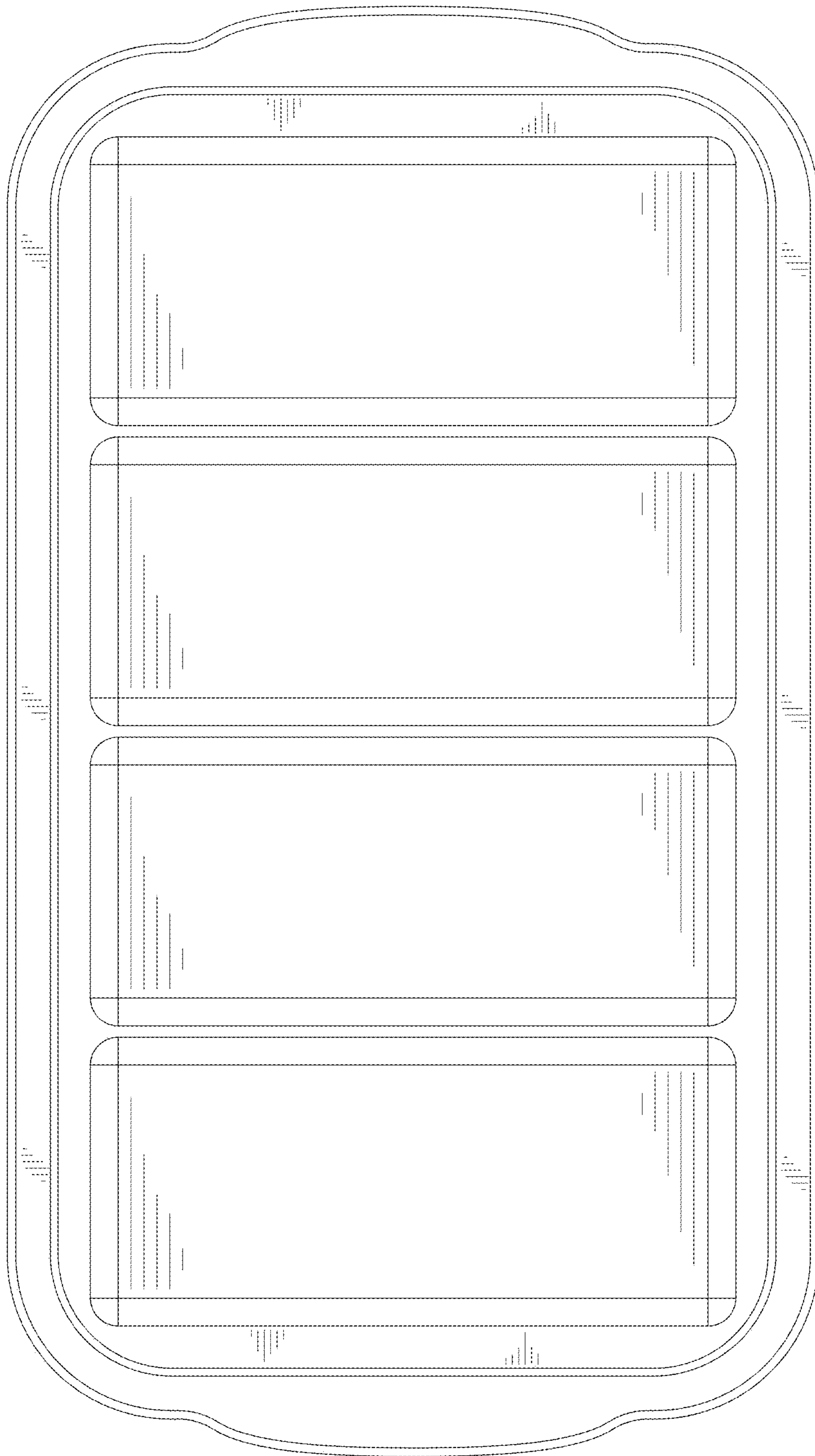


FIG. 6

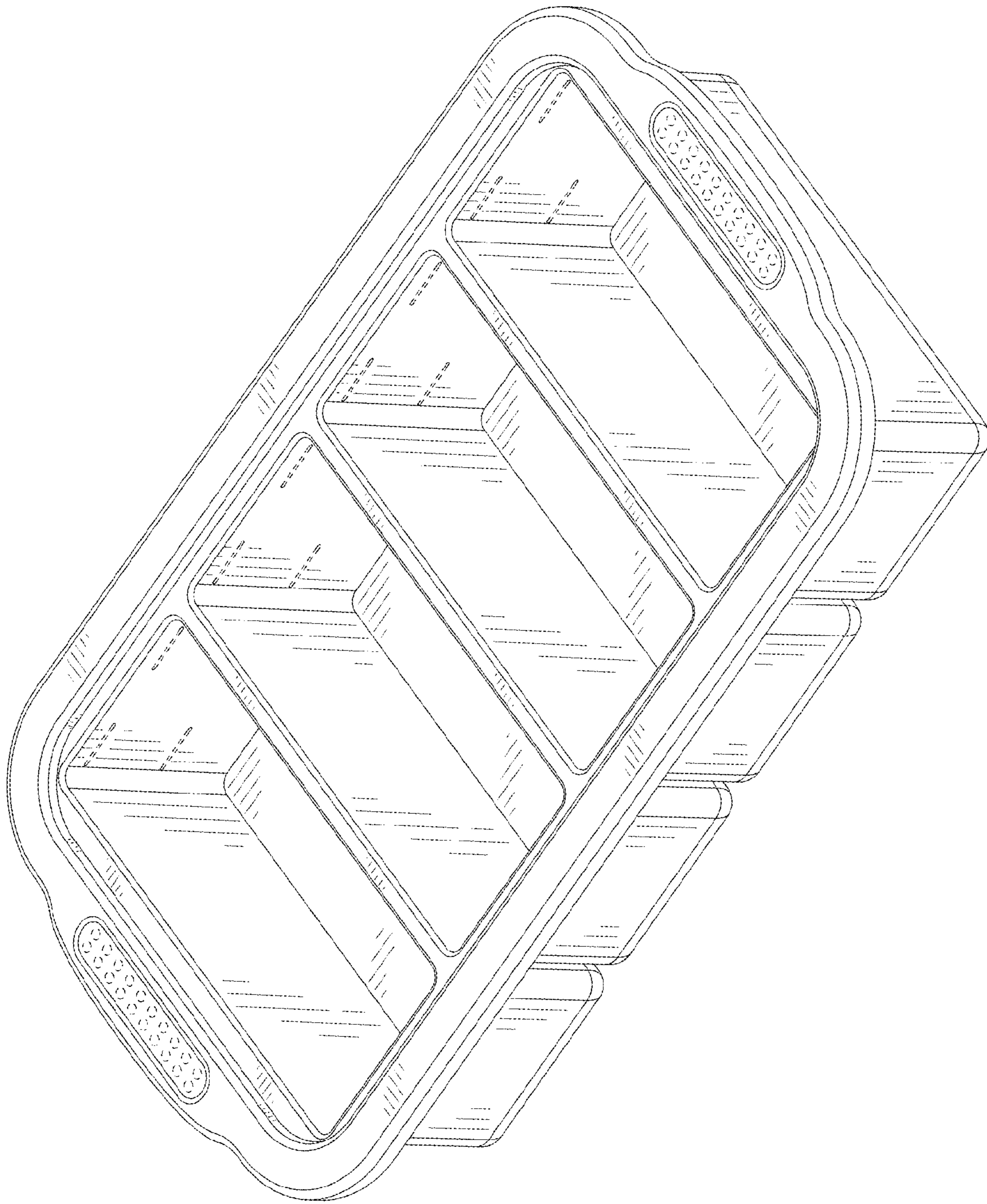


FIG. 7

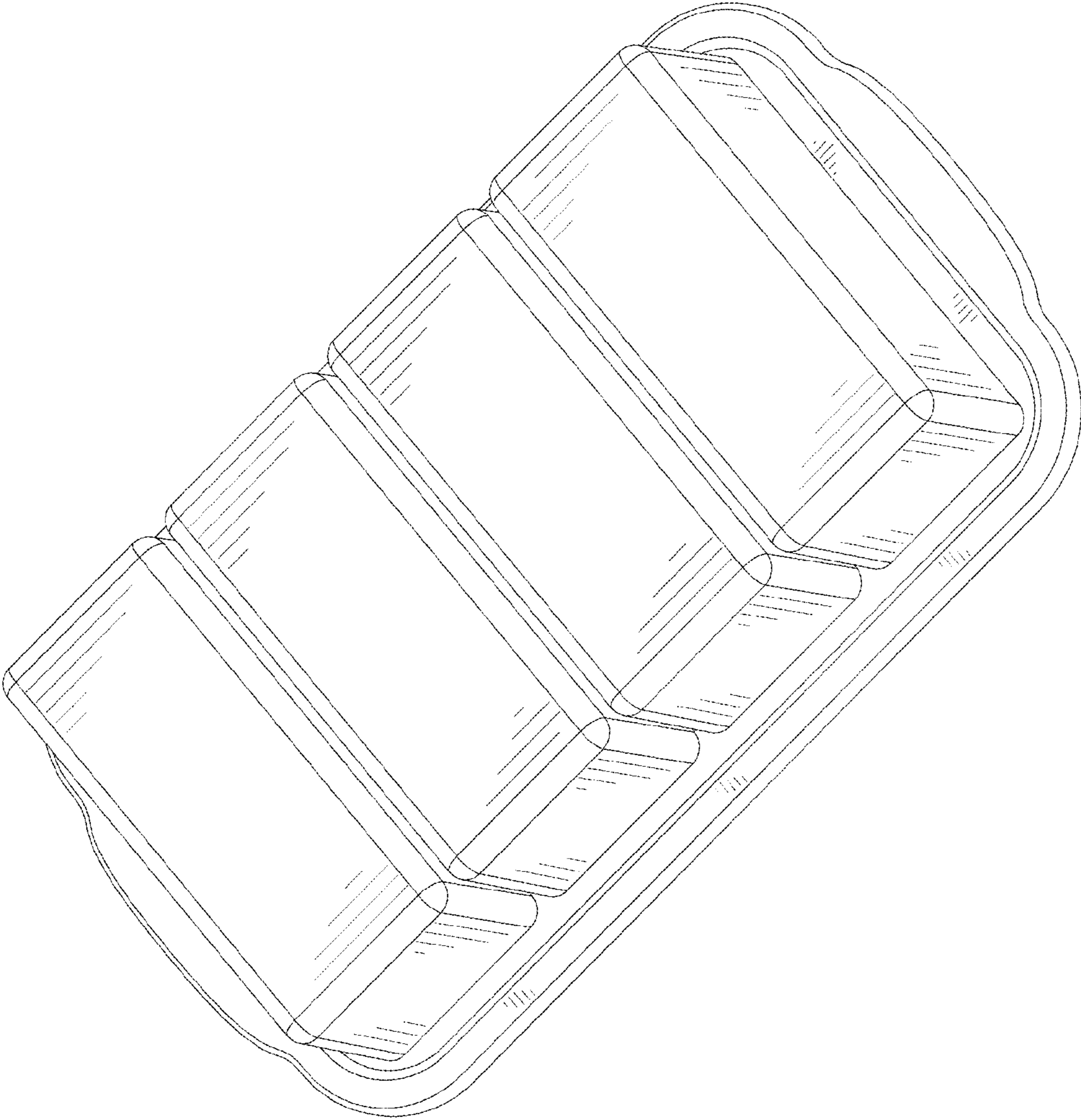


FIG. 8