



US00D946062S

(12) **United States Design Patent** (10) **Patent No.:** **US D946,062 S**  
**Murphy** (45) **Date of Patent:** **\*\* Mar. 15, 2022**

(54) **CLEAR ICE MAKER**

OTHER PUBLICATIONS

- (71) Applicant: **Thomas B. Murphy**, Arlington, TX (US)
- (72) Inventor: **Thomas B. Murphy**, Arlington, TX (US)
- (73) Assignee: **DEXAS INTERNATIONAL, LTD.**, Coppel, TX (US)
- (\*\*) Term: **15 Years**
- (21) Appl. No.: **29/724,763**
- (22) Filed: **Feb. 19, 2020**
- (51) **LOC (13) Cl.** ..... **15-07**
- (52) **U.S. Cl.**  
USPC ..... **D15/90**
- (58) **Field of Classification Search**  
USPC ..... D7/368, 387, 619.1, 669, 672, 675, 676;  
D15/79, 80, 90; D9/757, 759; D1/100  
CPC ..... F25C 1/08; F25C 1/24; F25C 1/25; F25C  
1/243; F25C 1/246  
See application file for complete search history.

OnTheRocks, Crystal-Clear Ice Cube & Ball Maker, (date first available Sep. 6, 2017), Amazon.com, URL:<https://www.amazon.com/OnTheRocks-Crystal-Clear-Maker-Clear-Spheres/dp/B075Q694WC> (Year: 2017).\*

Dexas, Iceology Silicone Clear Ice Maker for Craft Cocktail Ice, (date first available May 28, 2019), Amazon.com, URL:<https://www.amazon.com/Dexas-GCI8C-2728-Silicone-Maker-Cocktail/dp/B07SS66B5G> (Year: 2019).\*

Okigo, Clear Ice Cube Tray Mold—Sphere Ice Ball Maker and Large Square Molds for Cocktails, (date first available Jun. 22, 2021), Amazon.com, URL:<https://www.amazon.com/Clear-Ice-Cube-Tray-Mold/dp/B097P4TYJT> (Year: 2021).\*

\* cited by examiner

*Primary Examiner* — Calvin E Vansant  
*Assistant Examiner* — Mark T. Philipps  
 (74) *Attorney, Agent, or Firm* — Daniel V. Thompson

(56) **References Cited**

U.S. PATENT DOCUMENTS

5,397,097	A *	3/1995	Dale	.....	F25C 1/243
					249/120
D532,428	S *	11/2006	Chaudhary	.....	D15/79
D553,165	S *	10/2007	Lee	.....	D15/79
D636,412	S *	4/2011	Misse	.....	D15/90
D692,933	S *	11/2013	Sorensen	.....	D15/90
D759,735	S *	6/2016	Tsai	.....	D15/90
D855,087	S *	7/2019	Lopez	.....	D15/89
D916,146	S *	4/2021	Wu	.....	D15/90
2009/0152438	A1 *	6/2009	Chu	.....	F25C 1/18
					249/83
2016/0356536	A1 *	12/2016	Baumbach	.....	F25C 1/24
2018/0306479	A1 *	10/2018	Vazquez	.....	F25C 1/24

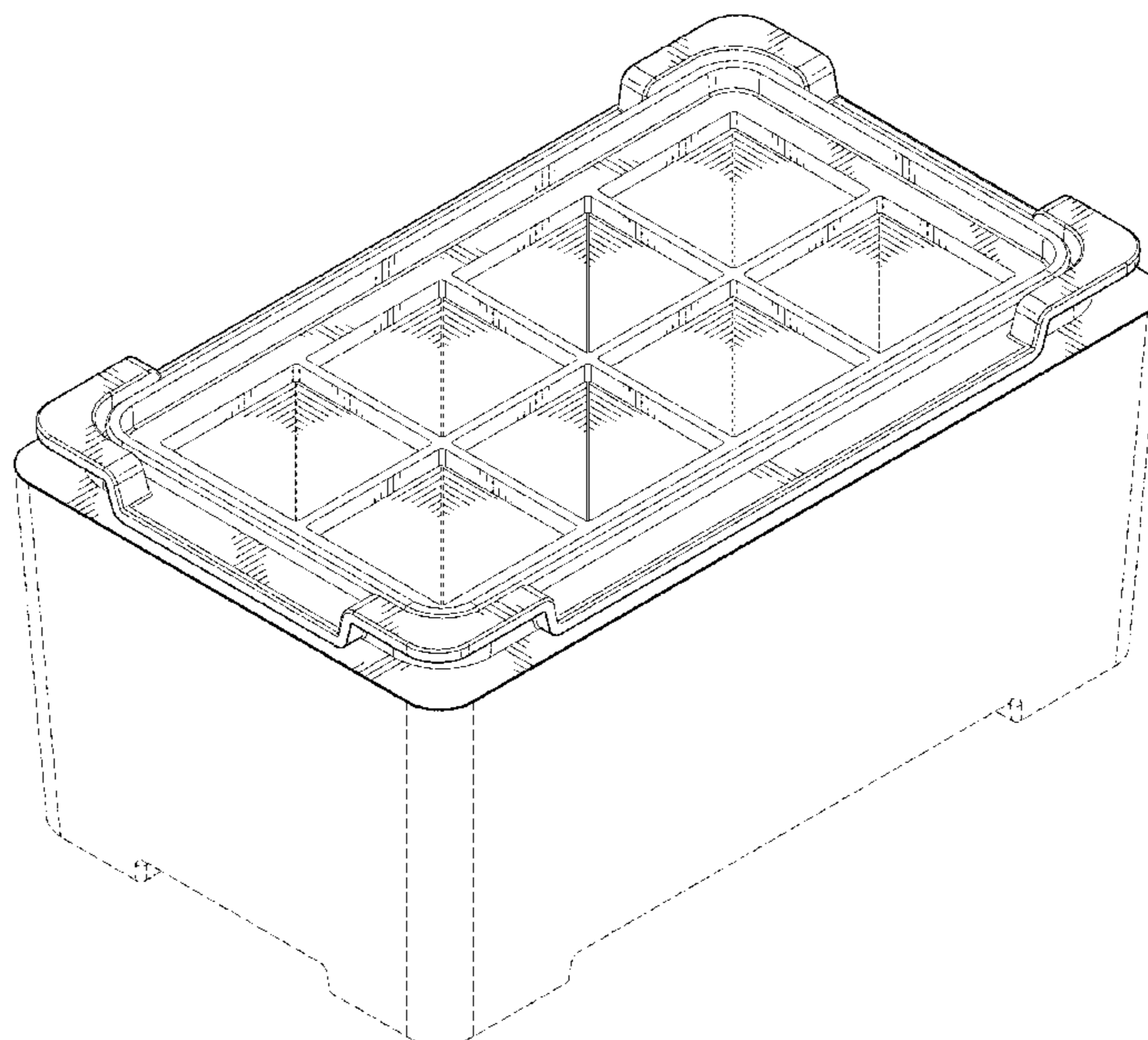
(57) **CLAIM**

The ornamental design for a clear ice maker, as shown and described.

**DESCRIPTION**

FIG. 1 is a top-facing perspective view of the clear ice maker showing my new design;  
 FIG. 2 is a top plan view thereof;  
 FIG. 3 is a bottom plan view thereof;  
 FIG. 4 is a right-side elevational view thereof, the left-side elevational view being identical thereto; and,  
 FIG. 5 is a front elevational view thereof; the rear elevational view being identical thereto.  
 The broken lines in the drawings depict portions of the clear ice maker that form no part of the claimed design.

**1 Claim, 5 Drawing Sheets**



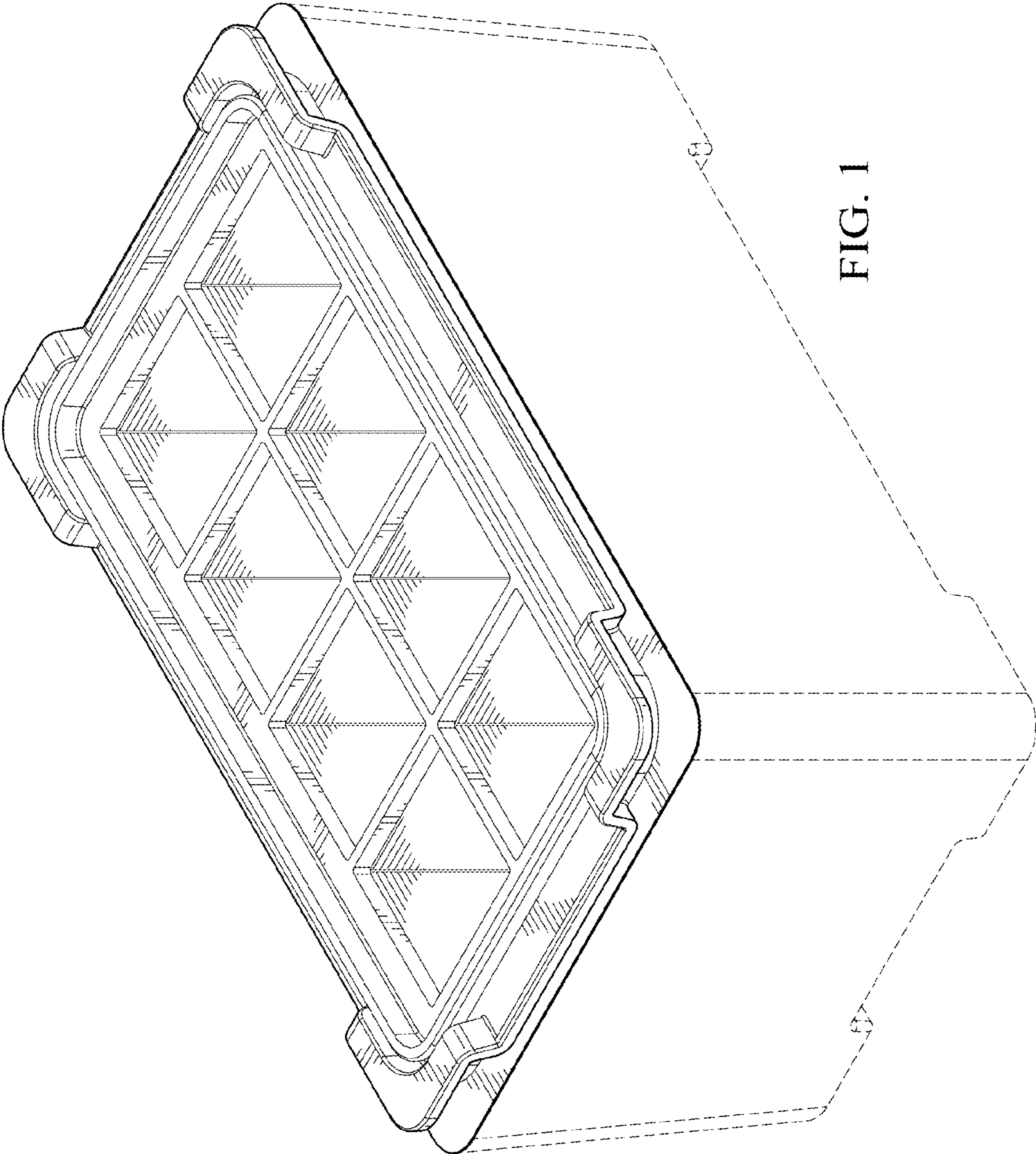


FIG. 1



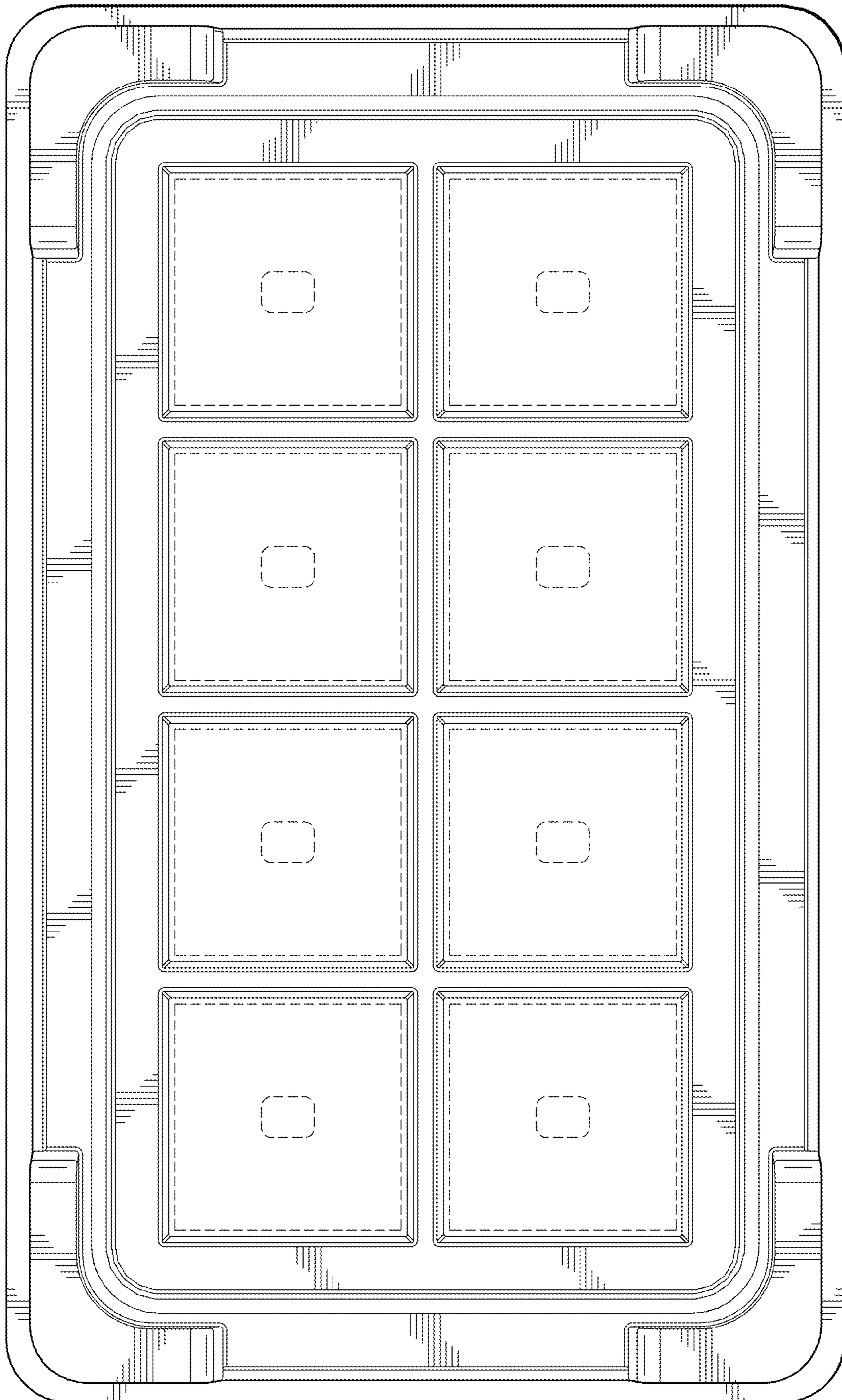


FIG. 2

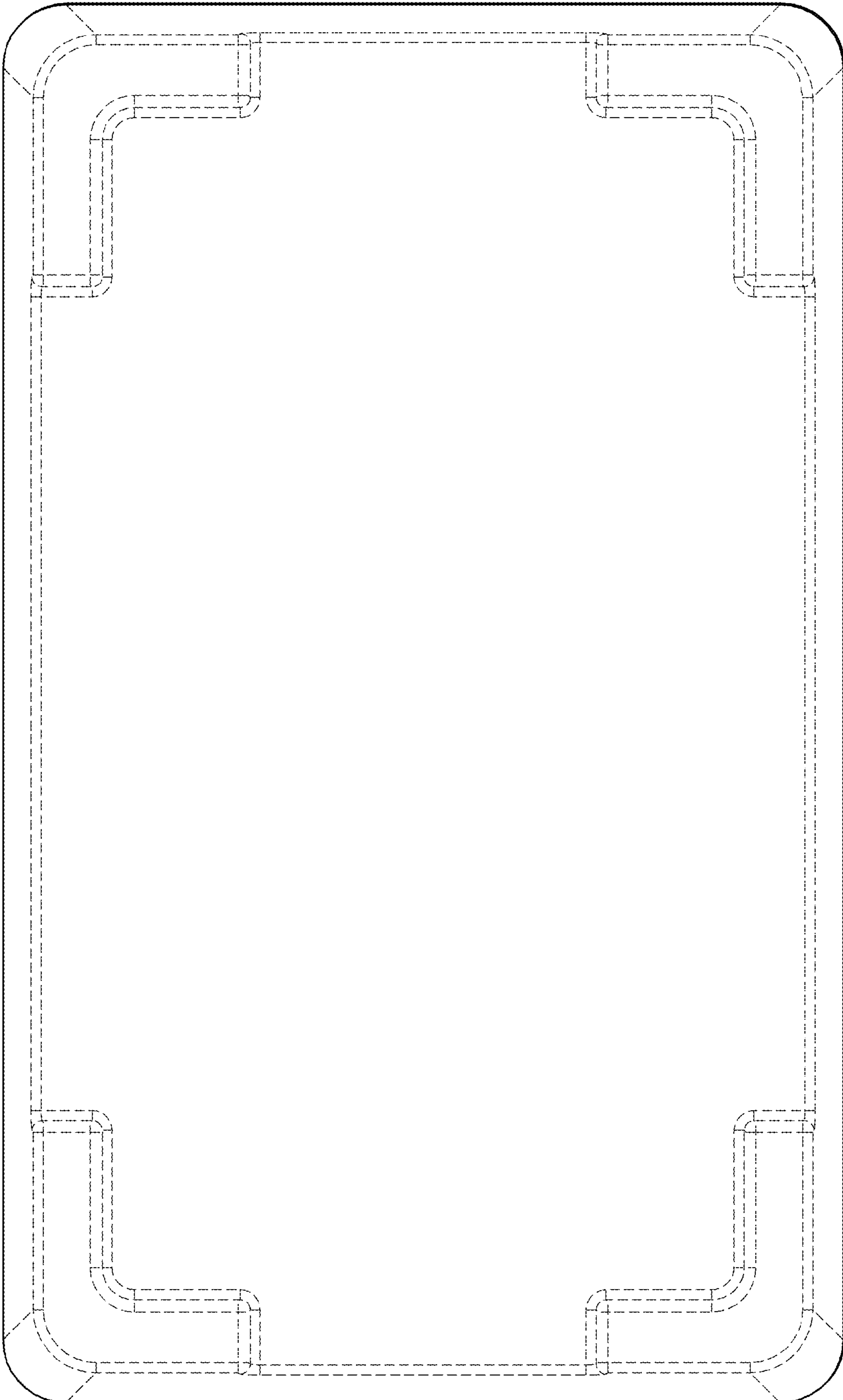


FIG. 3

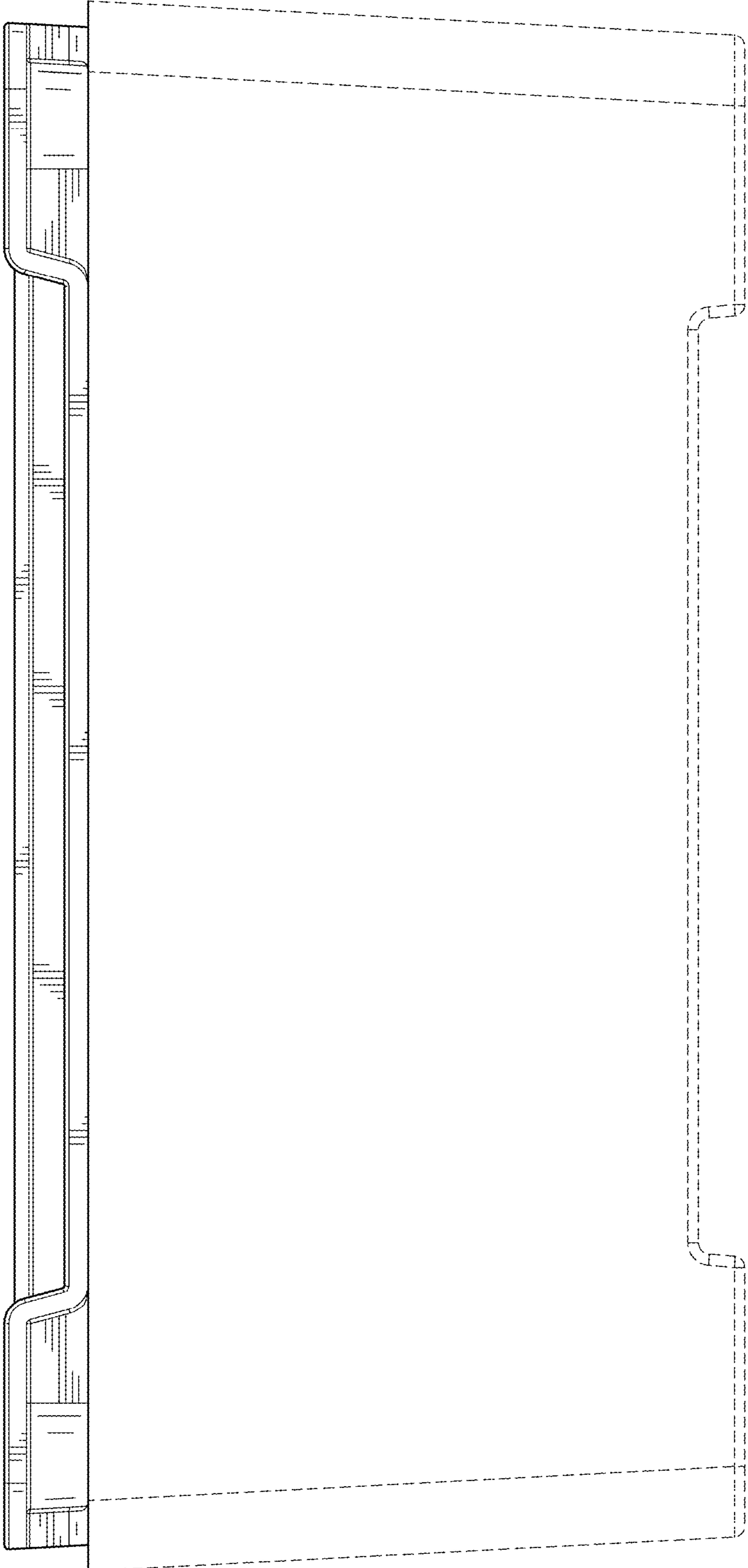


FIG. 4

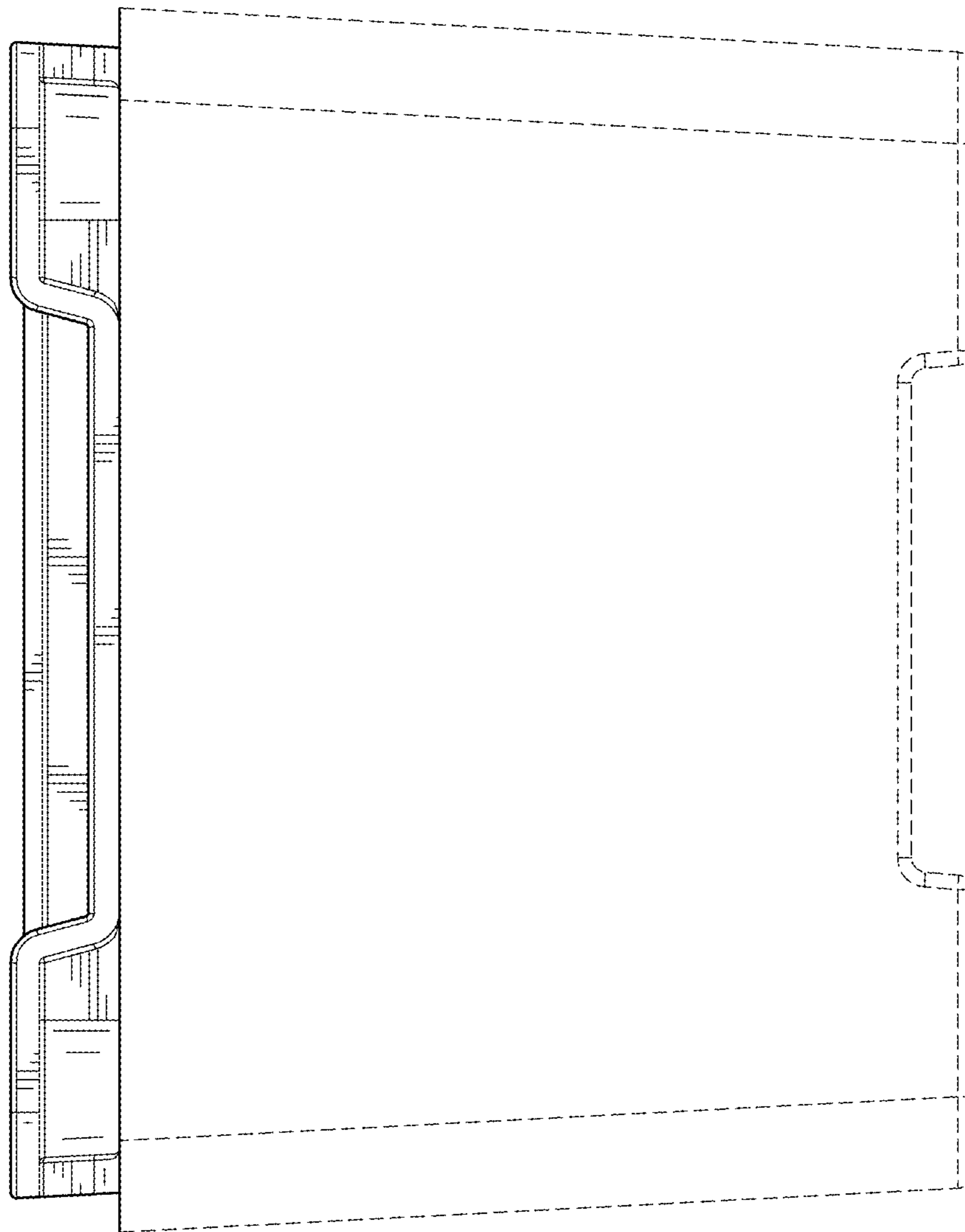


FIG. 5