



US00D946057S

(12) **United States Design Patent**
Gleeson

(10) **Patent No.:** **US D946,057 S**
(45) **Date of Patent:** **** Mar. 15, 2022**

(54) **TWISTED SHOVEL**
(71) Applicant: **MILSON FOUNDRY NZ LIMITED,**
Palmerston North (NZ)
(72) Inventor: **Eugene Gleeson,** Feilding (NZ)
(73) Assignee: **MILSON FOUNDRY NZ LIMITED,**
Palmerston North (NZ)
(**) Term: **15 Years**
(21) Appl. No.: **29/724,461**
(22) Filed: **Feb. 14, 2020**

1,168,469 A * 1/1916 Benson A01B 23/02
172/703
1,185,498 A * 5/1916 Gooding A01B 23/02
172/707
1,289,629 A * 12/1918 Brennan A01B 23/02
172/703
1,599,799 A * 9/1926 Stutz A01B 35/26
172/703
1,805,481 A * 5/1931 Dyr A01B 23/02
172/703
2,390,447 A * 12/1945 Miller A01B 35/26
172/724
2,528,270 A * 10/1950 Fundingsland A01B 39/19
172/44

(Continued)

(30) **Foreign Application Priority Data**
Aug. 23, 2019 (NZ) 426406
(51) **LOC (13) Cl.** **15-03**
(52) **U.S. Cl.**
USPC **D15/29**
(58) **Field of Classification Search**
USPC D15/11, 16, 17, 28, 29, 32; D8/10
CPC A01B 35/22; A01B 35/00; A01B 23/02;
A01B 15/025; A01B 15/02
See application file for complete search history.

FOREIGN PATENT DOCUMENTS

EP 3014965 B1 * 6/2017 A01B 23/02
EP 2959758 B1 * 3/2019 A01B 35/225
GB 1217924 A * 1/1971 A01B 15/025

Primary Examiner — Sandra Snapp
Assistant Examiner — Ieisha N Price
(74) *Attorney, Agent, or Firm* — Phillips Winchester

(57) **CLAIM**

The ornamental design for a twisted shovel, as shown and described.

(56) **References Cited**

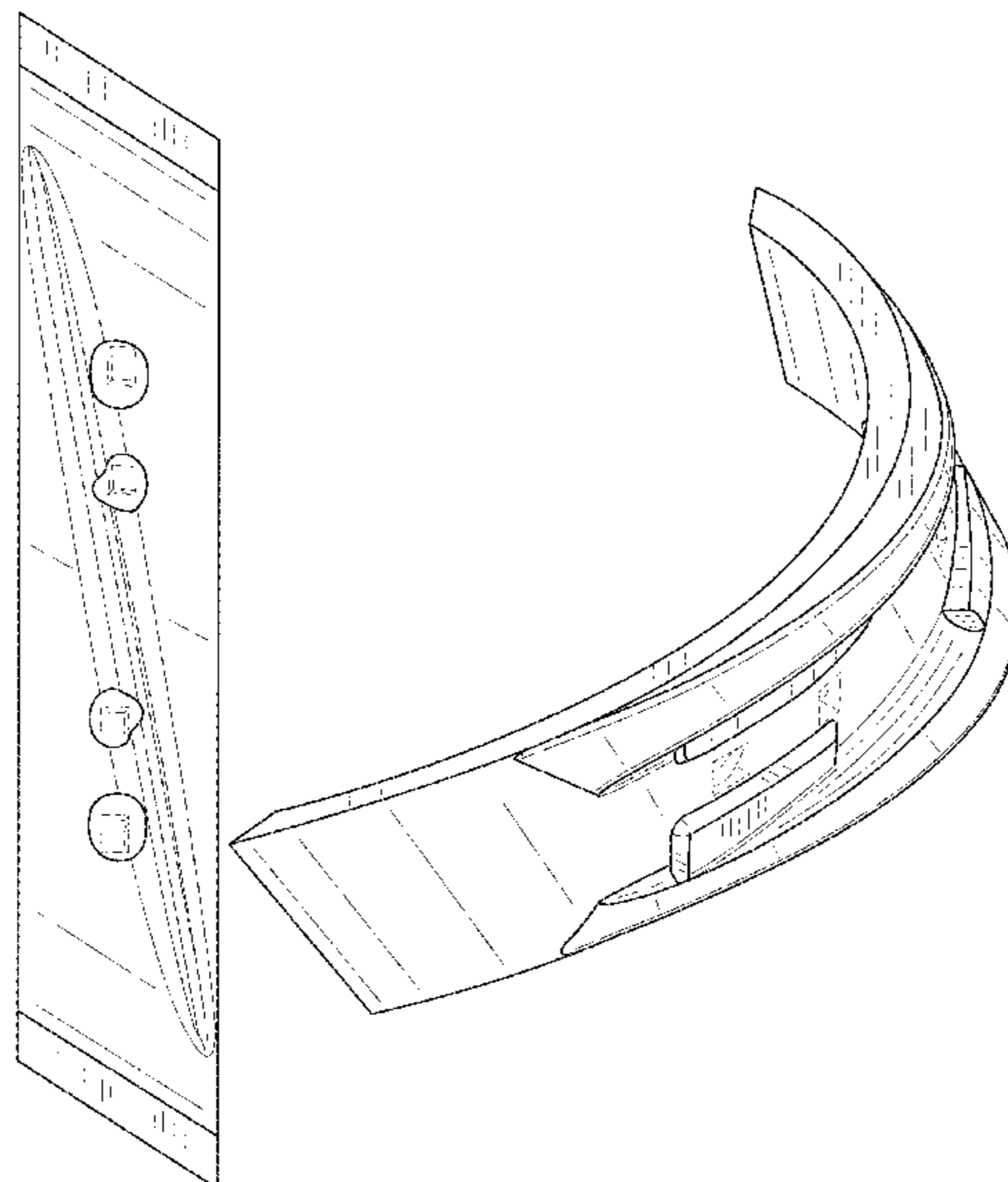
U.S. PATENT DOCUMENTS

234,321 A * 11/1880 Nellis A01B 35/24
172/708
396,051 A * 1/1889 Rhodes A01B 15/02
172/704
525,310 A * 8/1894 Bartlett A01B 15/02
172/747
673,221 A * 4/1901 Perry A01B 35/26
172/771
681,547 A * 8/1901 Hartig A01B 35/26
172/771
1,034,546 A * 8/1912 Wells A01B 15/02
172/737

DESCRIPTION

FIG. 1 is a front view of the twisted shovel;
FIG. 2 is a rear view thereof;
FIG. 3 is a left side view thereof, the right side view being a mirror image of;
FIG. 4 is a top view thereof, the bottom view being a mirror image of;
FIG. 5 is a front isometric view thereof; and,
FIG. 6 is a rear isometric view of thereof.
The broken lines in the drawings depict portions of the twisted shovel that form no part of the claimed design.

1 Claim, 6 Drawing Sheets



(56)

References Cited

U.S. PATENT DOCUMENTS

2,796,012 A * 6/1957 Botha A01B 13/08
 172/699
 2,855,836 A * 10/1958 Sutherland A01B 23/02
 172/705
 3,227,225 A * 1/1966 Hunter A01B 35/06
 172/456
 D207,590 S * 5/1967 Orendorff D15/29
 3,762,483 A * 10/1973 Meiners A01B 35/14
 172/700
 4,275,792 A * 6/1981 Jensen A01B 35/22
 172/703
 D277,860 S * 3/1985 Hellden 172/754
 4,607,707 A * 8/1986 Shellhouse A01B 15/025
 172/764
 4,754,816 A * 7/1988 Edmission A01B 23/02
 172/747
 D299,348 S * 1/1989 Nja D15/11
 D300,141 S * 3/1989 Kawashima D15/11
 4,869,328 A * 9/1989 Carroll A01B 15/06
 172/719
 D509,228 S * 9/2005 Chapman D15/27
 9,192,095 B1 * 11/2015 Bergmeier A01C 21/00
 D810,150 S * 2/2018 Ruffier D15/29
 2010/0170687 A1 * 7/2010 Arnabat Castellvi .. A01B 15/04
 172/681
 2017/0223887 A1 * 8/2017 Scherf A01B 15/04
 2017/0367248 A1 * 12/2017 Essig A01B 15/02
 2018/0317370 A1 * 11/2018 Kovach A01B 15/20
 2019/0045698 A1 * 2/2019 Weast A01B 15/02

* cited by examiner

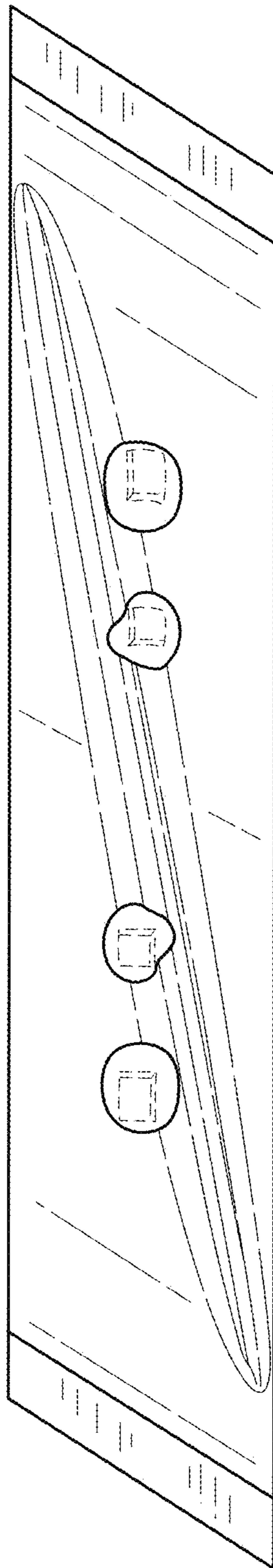


FIG.1

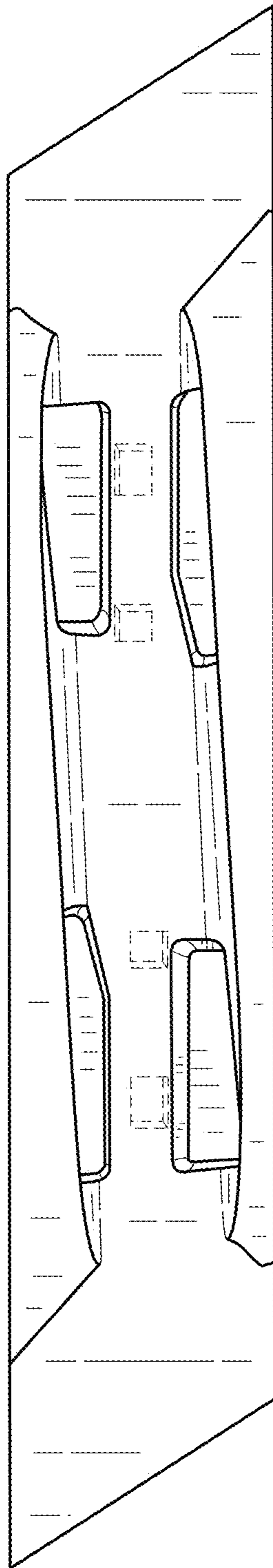


FIG.2



FIG.3

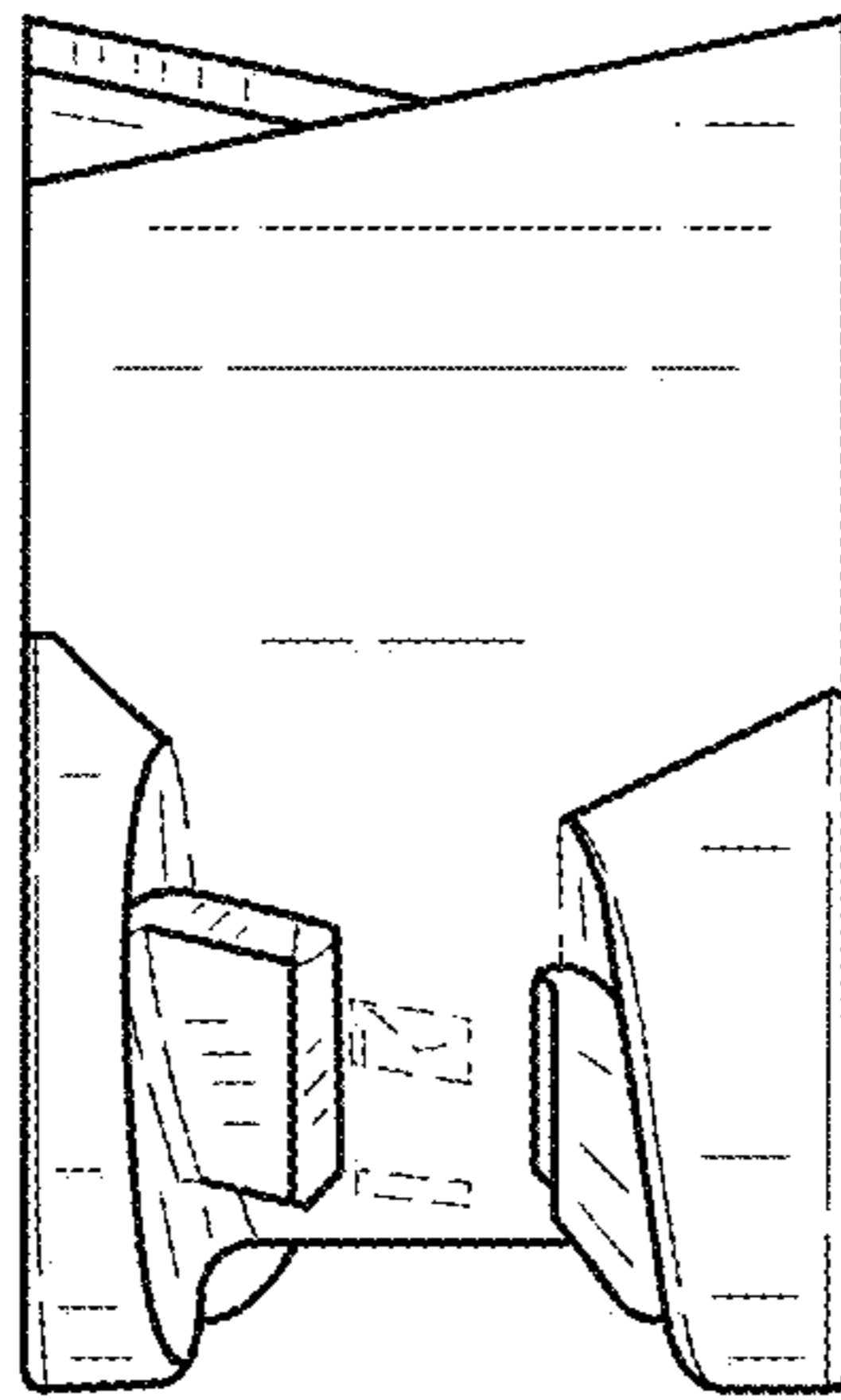


FIG.4

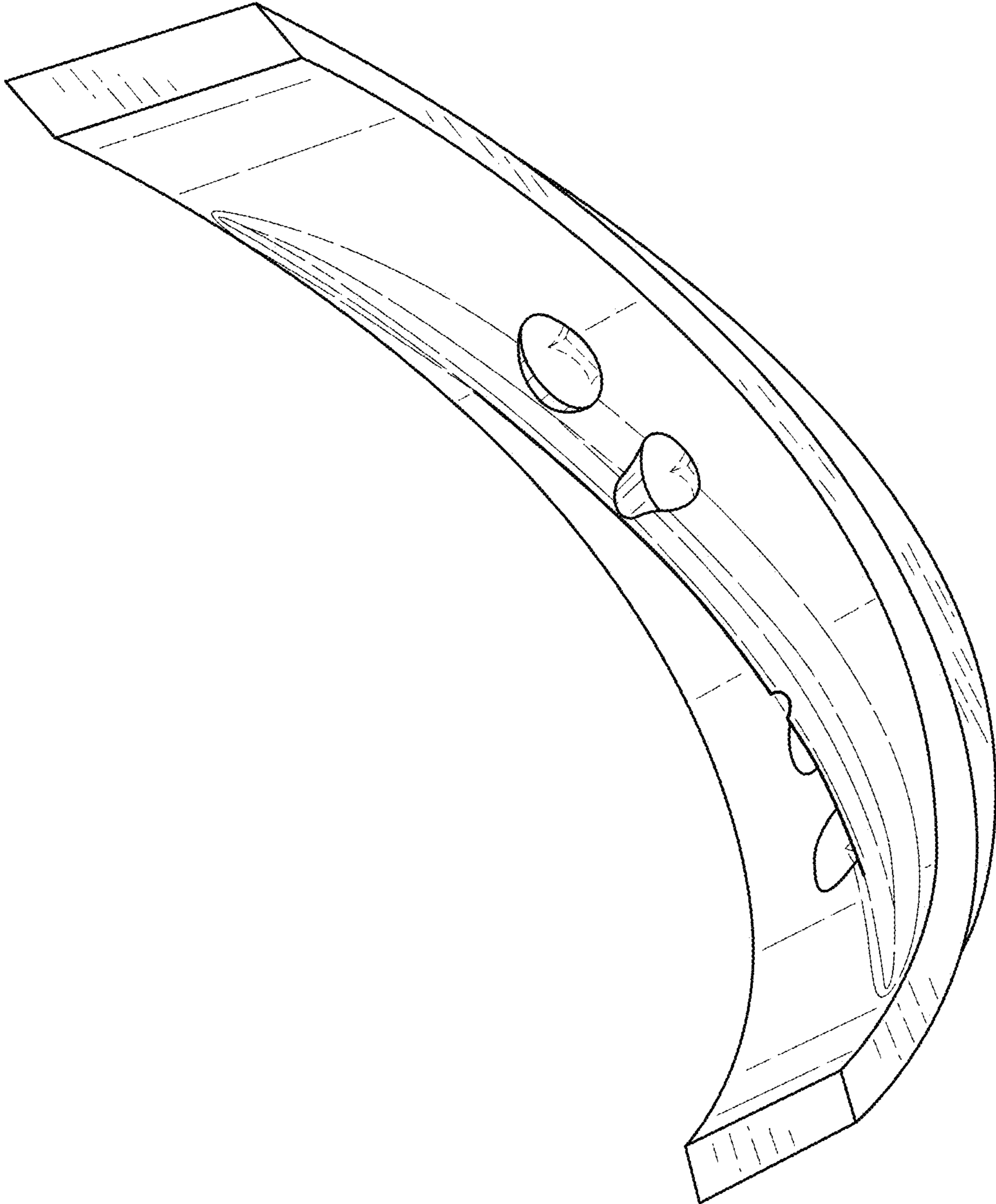


FIG.5

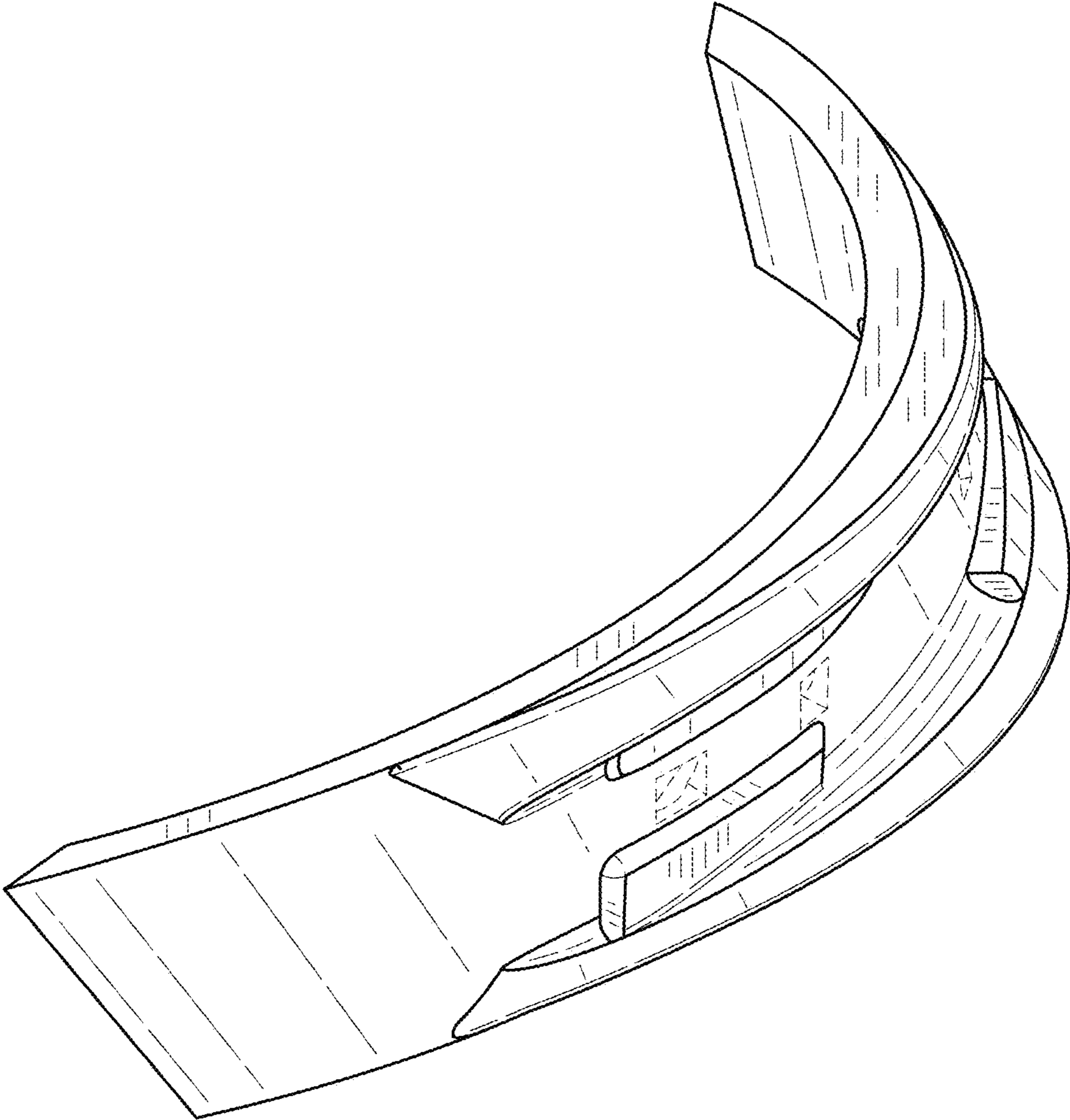


FIG.6