



US00D946056S

(12) **United States Design Patent**  
**Cestonaro et al.**

(10) **Patent No.:** **US D946,056 S**  
(45) **Date of Patent:** **\*\* Mar. 15, 2022**

- (54) **ROBOTIC LAWN MOWER**
- (71) Applicant: **Positec Power Tools (Suzhou) Co., Ltd.**, Jiangsu (CN)
- (72) Inventors: **Andrea Cestonaro**, Vicenza (IT); **Cheng Wang**, Suzhou (CN)
- (73) Assignee: **Positec Power Tools (Suzhou) Co., Ltd.**, Suzhou (CN)

D679,295 S *	4/2013	Tajik .....	D15/17
D681,065 S *	4/2013	Maeda .....	D15/17
D688,276 S *	8/2013	Naslund .....	D15/14
D718,340 S *	11/2014	Damshak .....	D15/14
D718,341 S *	11/2014	Gur .....	D15/14
D718,793 S *	12/2014	Gur .....	D15/14
D745,897 S *	12/2015	Mehra .....	D15/17
D758,455 S *	6/2016	Maibach .....	D15/14
D760,806 S *	7/2016	Cmich .....	D15/14
D776,169 S *	1/2017	Cmich .....	D15/14
D781,349 S *	3/2017	Cmich .....	D15/14
D781,926 S *	3/2017	Al-Hashimi .....	D15/14

(Continued)

(\*\*) Term: **15 Years**

(21) Appl. No.: **29/691,965**

(22) Filed: **May 21, 2019**

(30) **Foreign Application Priority Data**

Nov. 26, 2018 (CN) ..... 201830673097.1

(51) **LOC (13) Cl.** ..... **15-03**

(52) **U.S. Cl.**  
USPC ..... **D15/14; D15/17**

(58) **Field of Classification Search**  
USPC ..... D15/14, 17, 18; 56/11.9, 17.5, 13.4, 56/12.8, 16.7, 202, 255, 294, 295, 320.1, 56/320.2; 180/900, 89.1, 89.12  
CPC .... A01D 34/008; A01D 34/81; A01D 34/416; A01D 34/4166; A01D 34/4167; A01D 34/87; A01D 34/90; B60L 1/003; B60L 3/0061; B60L 11/1803; B60L 11/1805; B60L 11/1877; B60L 15/20; B60L 2260/28; B60L 2200/40; B60L 2220/16; B60L 2220/46; B60L 2240/36; B60L 2240/421; A01G 3/04; A01G 3/0435  
See application file for complete search history.

(56) **References Cited**

**U.S. PATENT DOCUMENTS**

D678,352 S *	3/2013	Maeda .....	D15/17
D679,294 S *	4/2013	Tajik .....	D15/17

*Primary Examiner* — Mark A Goodwin

(74) *Attorney, Agent, or Firm* — Middleton Reutlinger

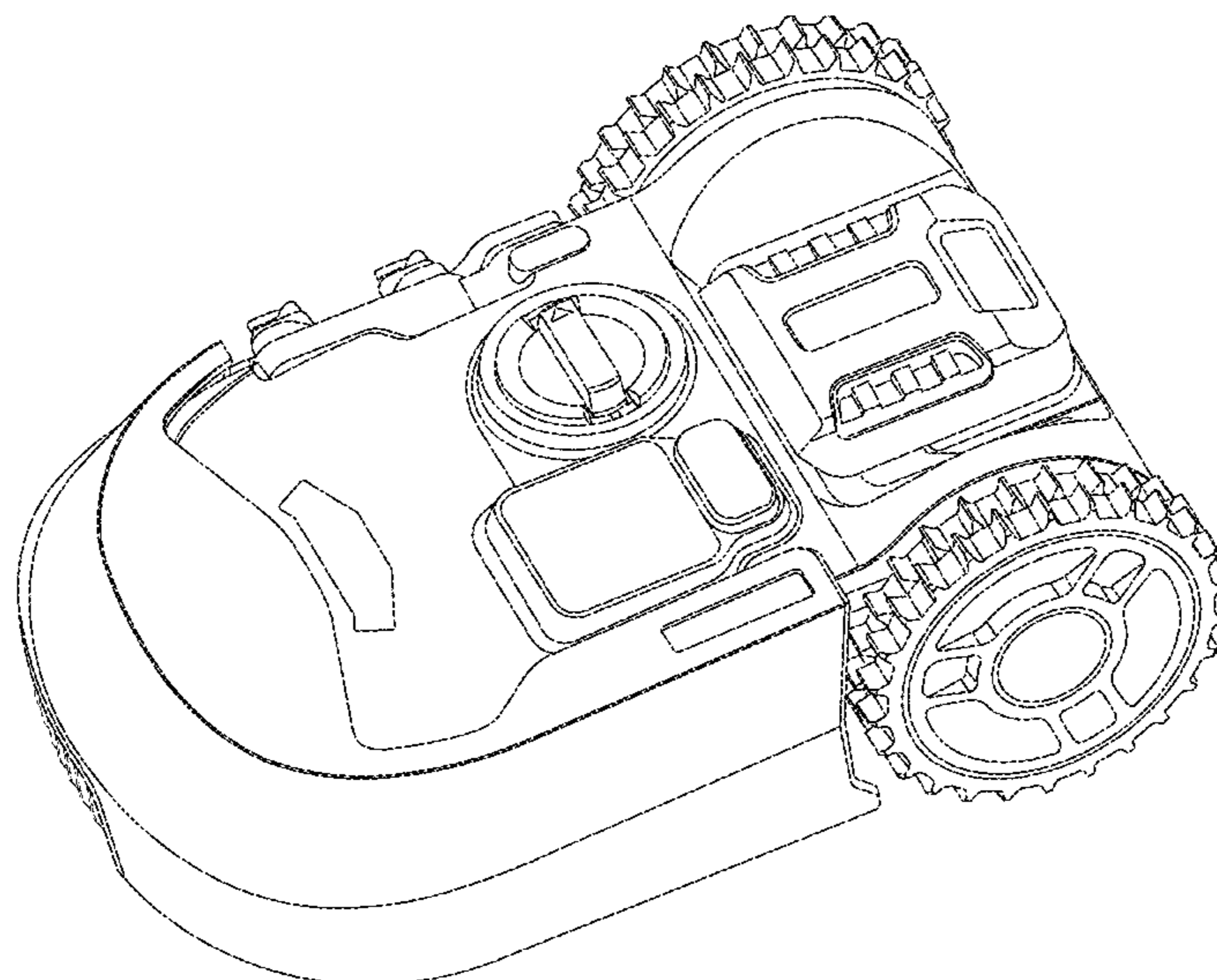
(57) **CLAIM**

The ornamental design for a robotic lawn mower, as shown and described.

**DESCRIPTION**

FIG. 1 is a perspective view of a robotic lawn mower in accordance with an embodiment of the first present invention;  
 FIG. 2 is a left view of the robotic lawn mower of FIG. 1;  
 FIG. 3 is a right view of the robotic lawn mower of FIG. 1;  
 FIG. 4 is a front view of the robotic lawn mower of FIG. 1;  
 FIG. 5 is a rear view of the robotic lawn mower of FIG. 1;  
 FIG. 6 is a top view of the robotic lawn mower of FIG. 1; and,  
 FIG. 7 is a bottom view of the robotic lawn mower of FIG. 1.  
 The broken lines shown in the drawings are included for the purpose of illustrating the unclaimed portions of a robotic lawn mower. The broken lines form no part of the claimed design.

**1 Claim, 7 Drawing Sheets**



(56)

**References Cited**

U.S. PATENT DOCUMENTS

D796,555 S *	9/2017	Landberg .....	D15/14
D799,555 S *	10/2017	Cmich .....	D15/14
D848,488 S *	5/2019	Cmich .....	D15/14
D852,232 S *	6/2019	Eidson .....	D15/14
D880,532 S *	4/2020	Gunnarsson .....	D15/14
D881,252 S *	4/2020	Vestberg .....	D15/199
D889,517 S *	7/2020	Prybor .....	D15/14
D890,219 S *	7/2020	Tat .....	D15/14

\* cited by examiner

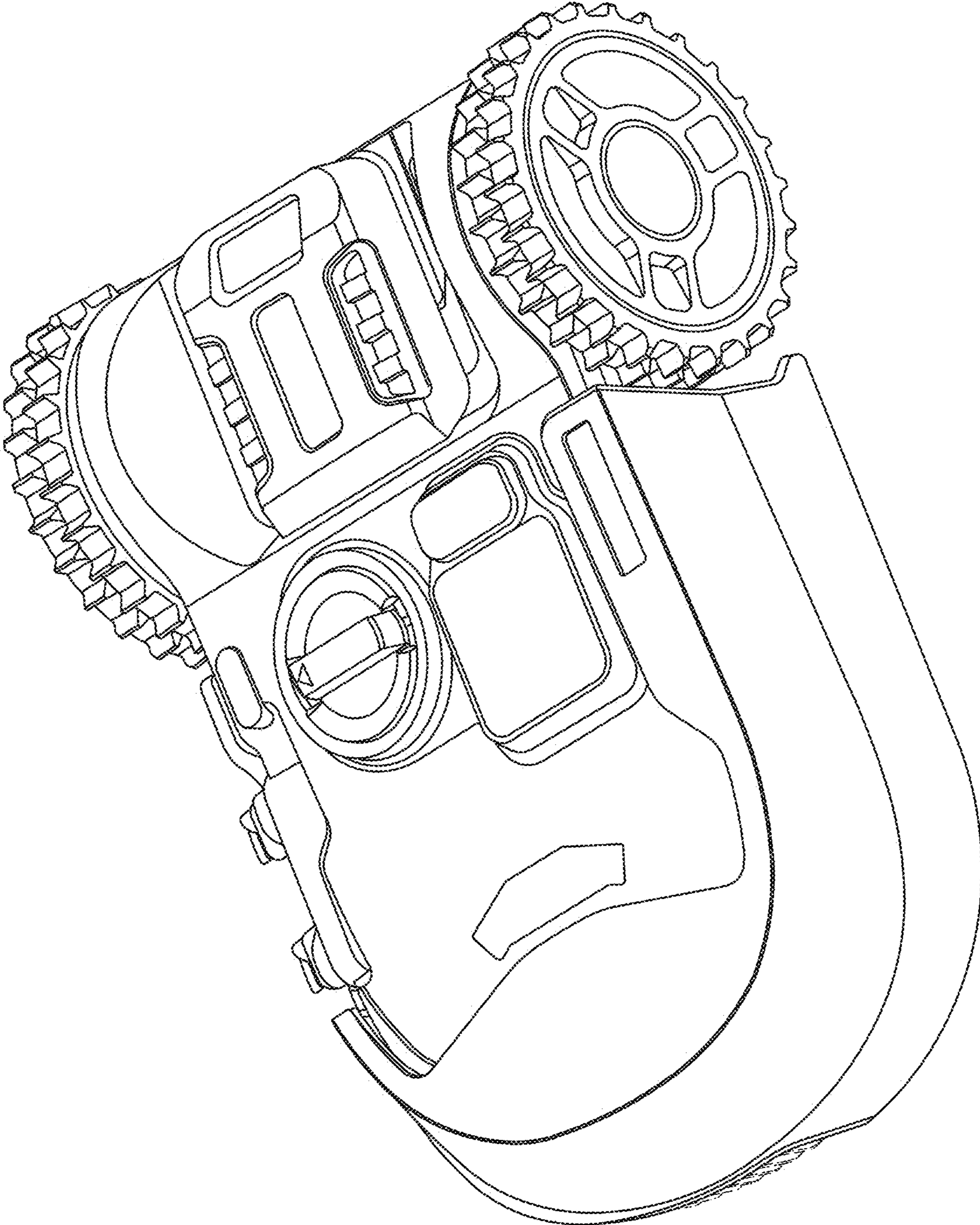


FIG. 1



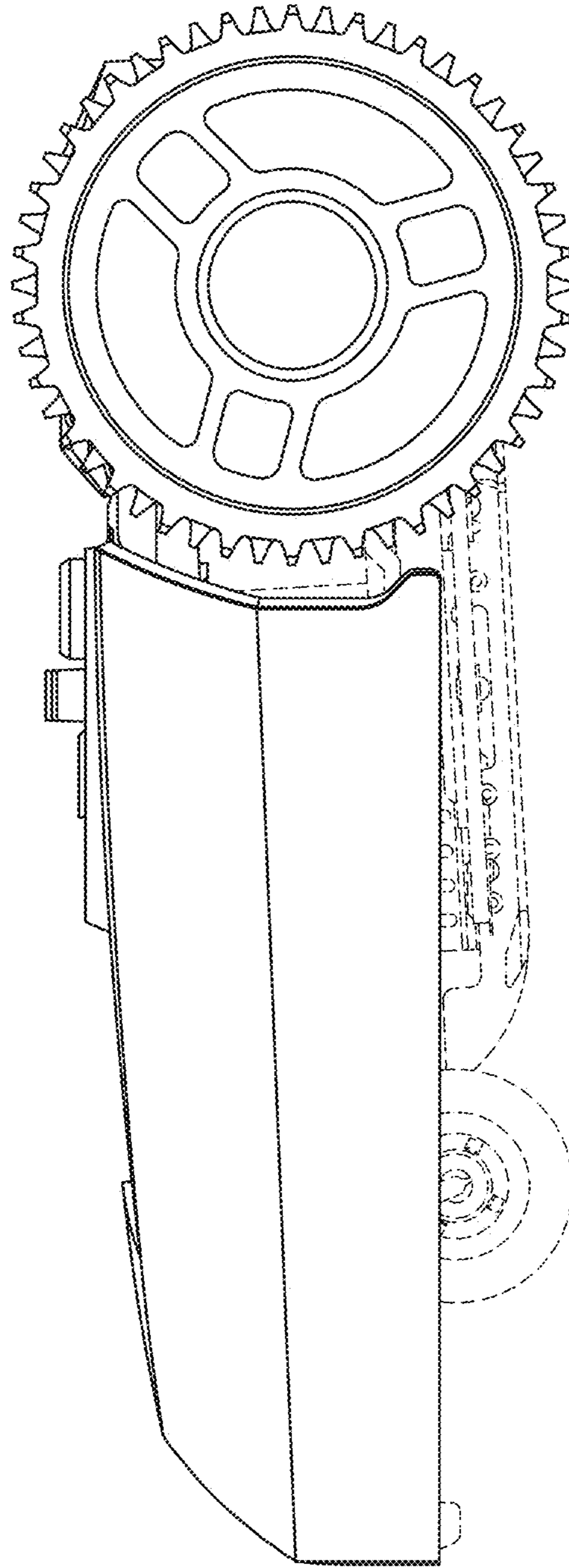


FIG. 2

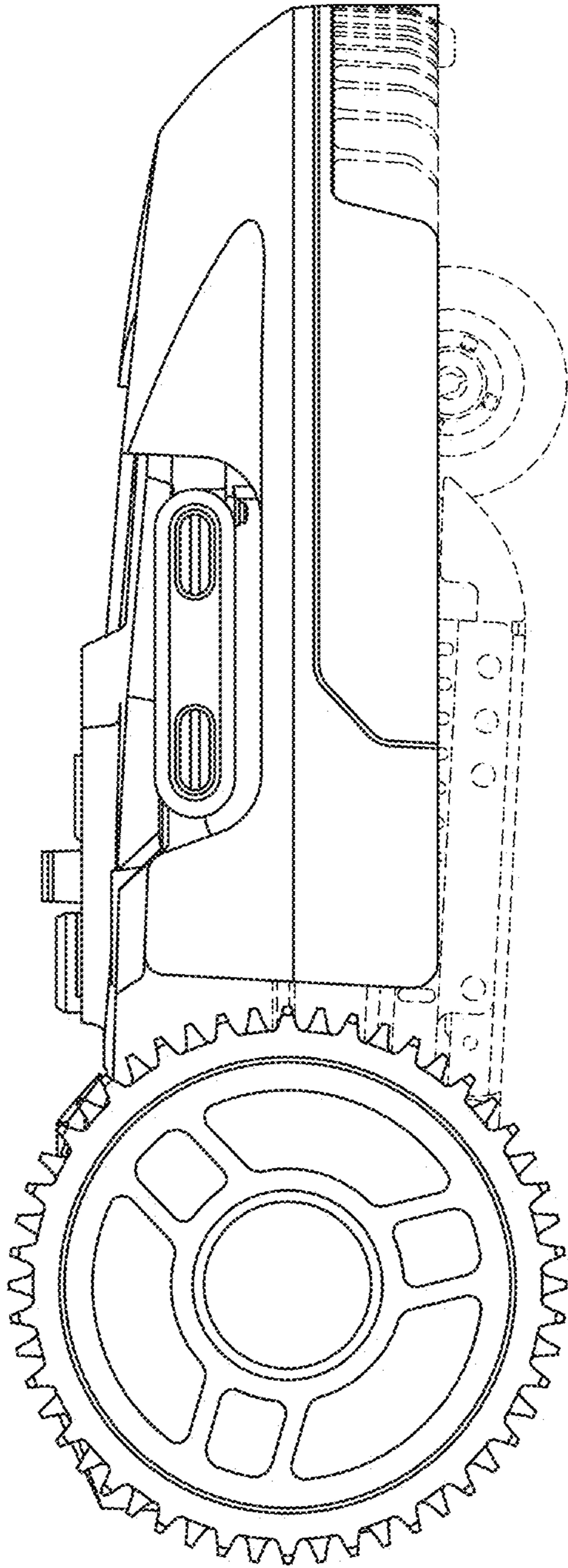


FIG. 3

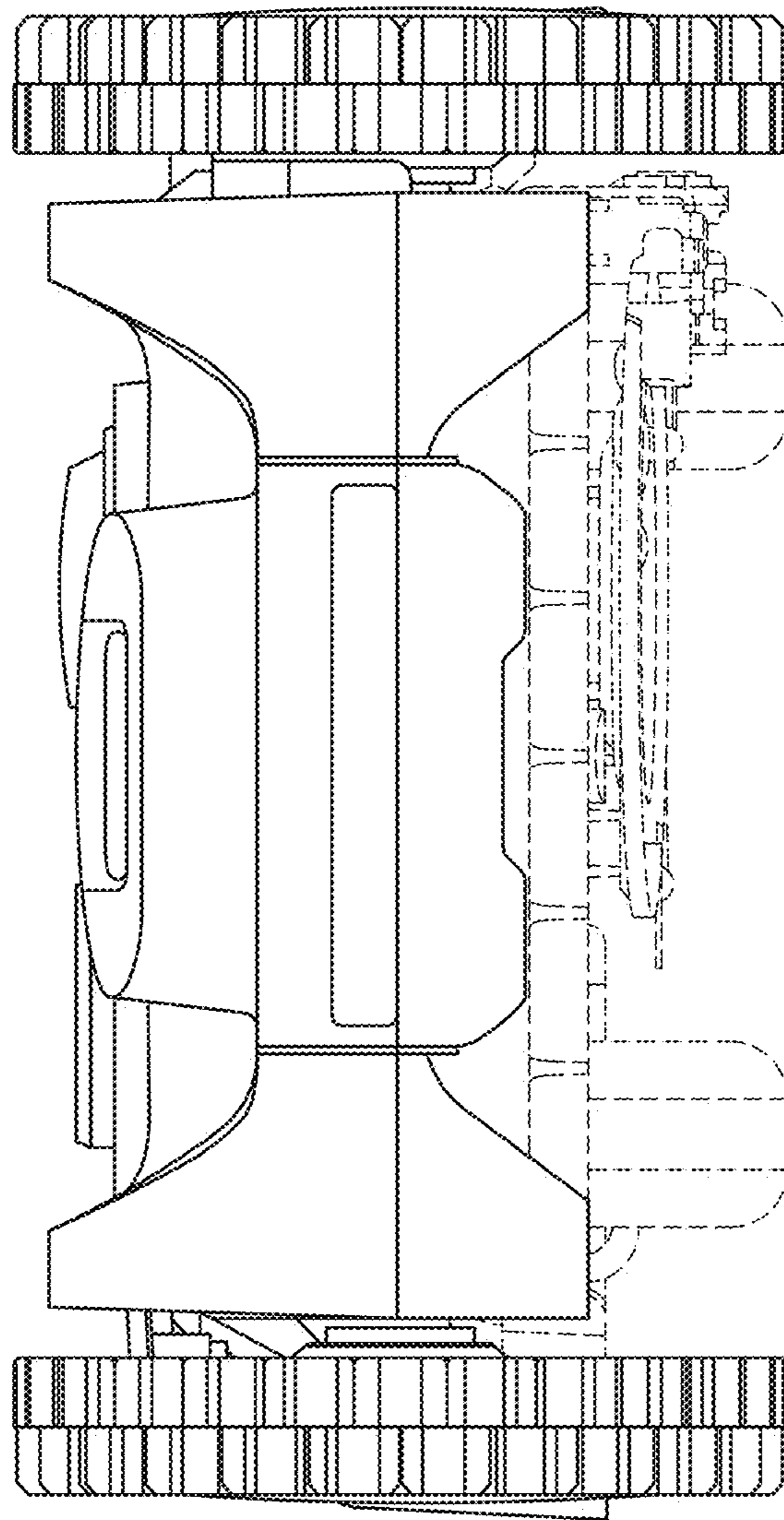


FIG. 4

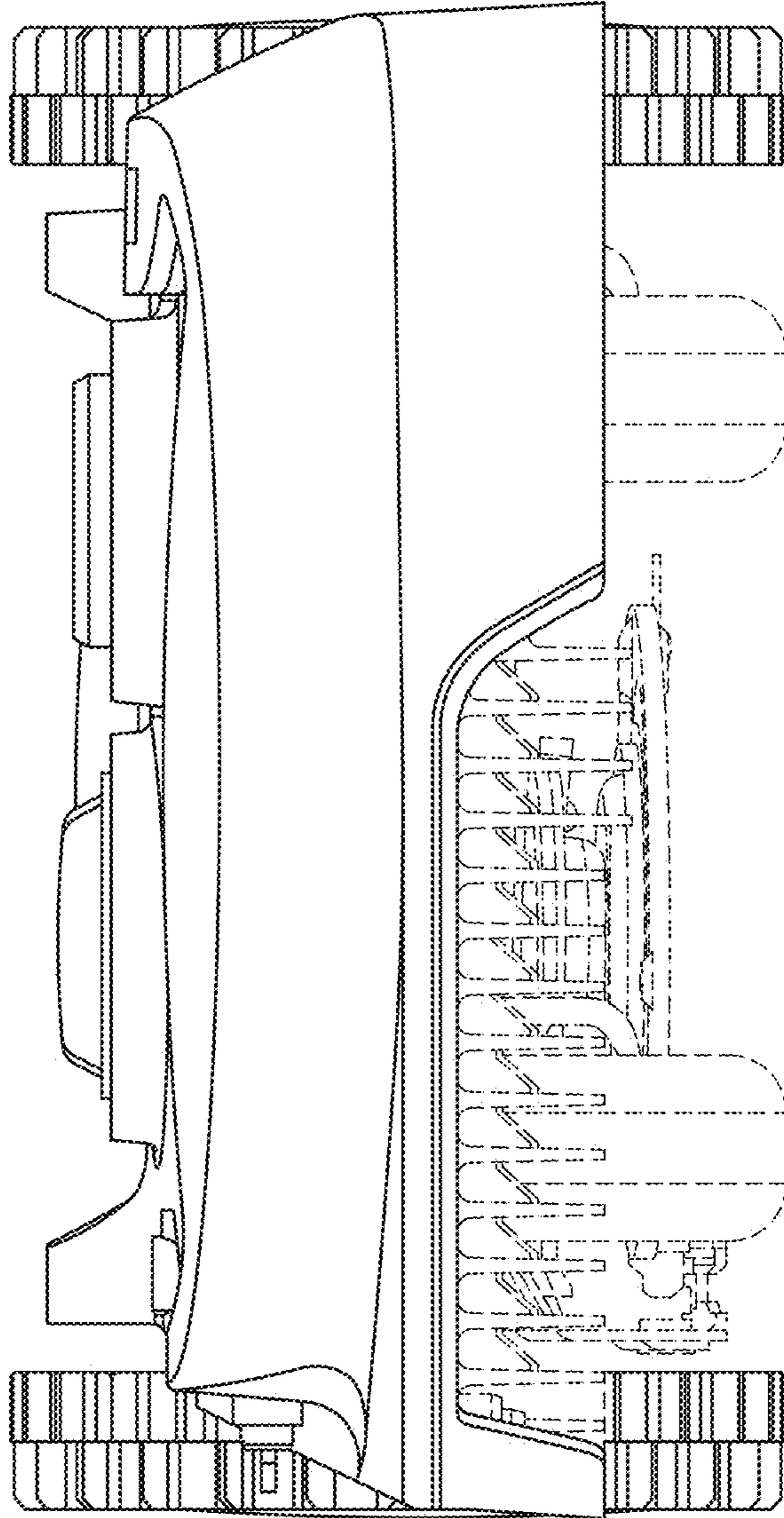


FIG. 5

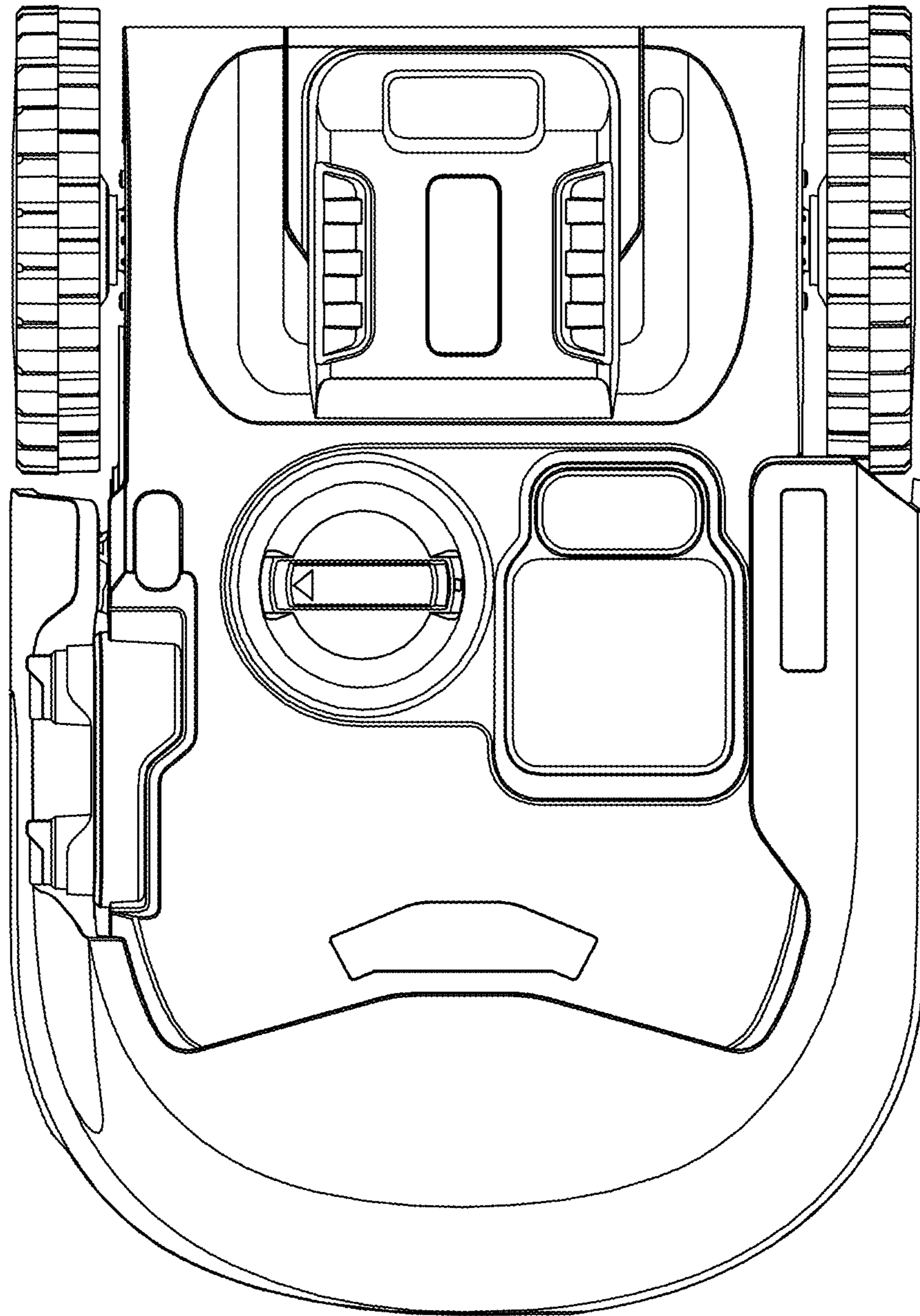


FIG. 6



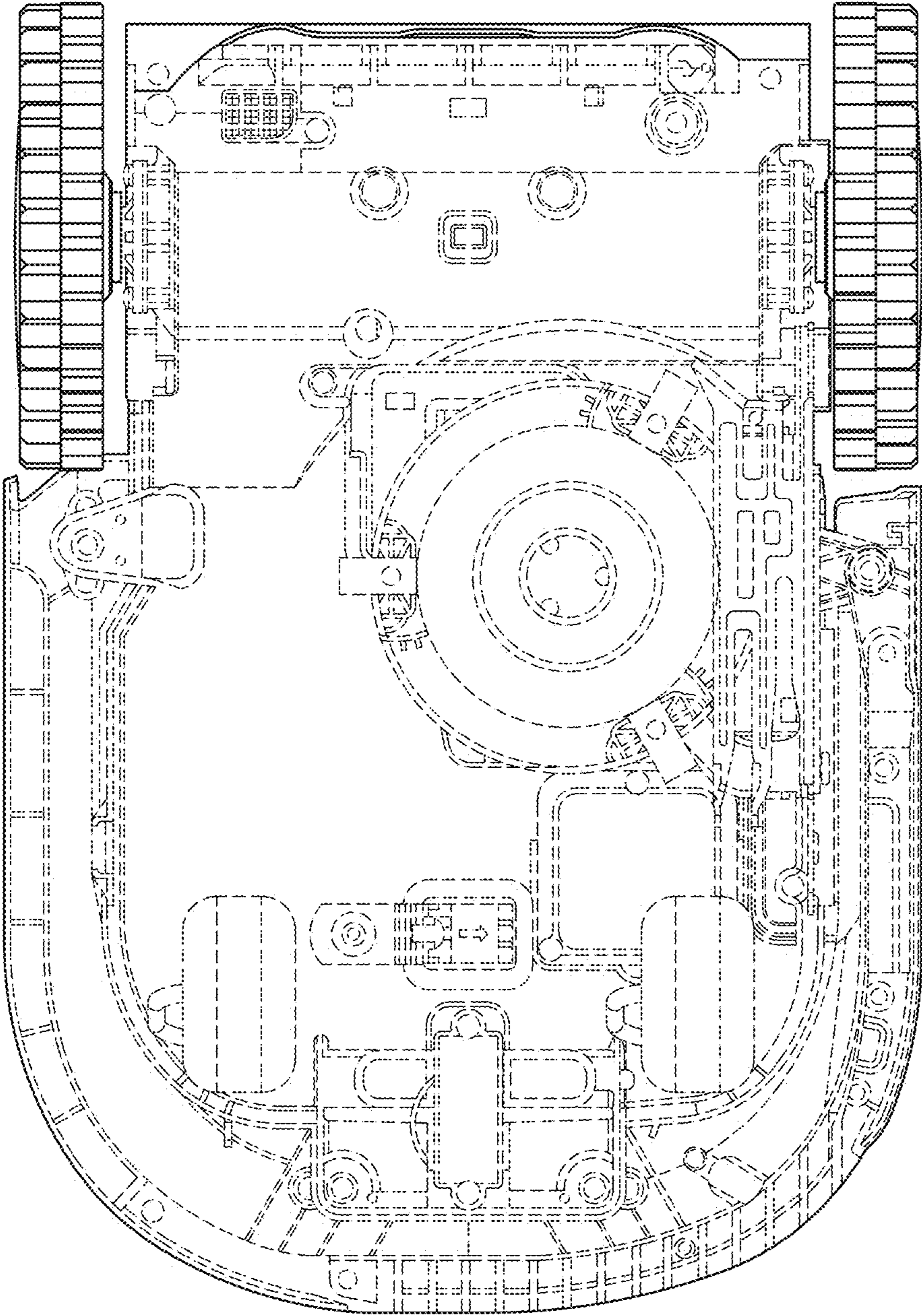


FIG. 7