



US00D946055S

(12) **United States Design Patent**
Zhang

(10) **Patent No.:** **US D946,055 S**
(45) **Date of Patent:** **** Mar. 15, 2022**

(54) **DOUBLE AIR PUMP**

FOREIGN PATENT DOCUMENTS

(71) Applicant: **Qian-Fan Zhang**, Wenling (CN)

CN 306033550 * 6/2020
CN 306359550 * 10/2020

(72) Inventor: **Qian-Fan Zhang**, Wenling (CN)

(**) Term: **15 Years**

(21) Appl. No.: **29/741,184**

(22) Filed: **Jul. 10, 2020**

(51) **LOC (13) Cl.** **15-02**

(52) **U.S. Cl.**

USPC **D15/7**; D15/9

(58) **Field of Classification Search**

USPC D14/169, 188, 243; D15/7-9; D23/366,
D23/356; D12/400; D13/107, 110, 124
CPC F04B 53/14; F04B 53/92; F04B 33/00;
F04B 33/005; F04B 1/005; F04B 39/102;
F04D 13/06; F04D 29/22; F04D 29/046;
F04D 29/2266; F16K 11/048; F16K
15/20; F16K 31/602

See application file for complete search history.

(56) **References Cited**

U.S. PATENT DOCUMENTS

D300,433 S * 3/1989 Byar D15/9
D376,549 S * 12/1996 Stimpfig D10/81
D388,798 S * 1/1998 Kan D15/9
D470,510 S * 2/2003 Chen D15/9
D537,842 S * 3/2007 Moser D15/9
D540,822 S * 4/2007 Mandsfelt D15/9
D624,936 S * 10/2010 Houghton D15/9
D635,589 S * 4/2011 Bongard D15/9
D664,158 S * 7/2012 Balma D15/9

OTHER PUBLICATIONS

ARB, CKMTA24 24V Twin Compressor, (First available date Oct. 22, 2016), Amazon.ca, URL:<<https://www.amazon.ca/ARB-CKMTA24-24V-Twin-Compressor/dp/B00CP5GRLY>> (Year: 2016).*

* cited by examiner

Primary Examiner — Calvin E Vansant
Assistant Examiner — Mark T. Philipps

(57) **CLAIM**

The ornamental design for a double air pump, as shown and described.

DESCRIPTION

FIG. 1 is a perspective view of a double air pump showing my design;

FIG. 2 is a front elevational view of FIG. 1;

FIG. 3 is a rear elevational view of FIG. 1;

FIG. 4 is a left side elevational view of FIG. 1;

FIG. 5 is a right side elevational view of FIG. 1;

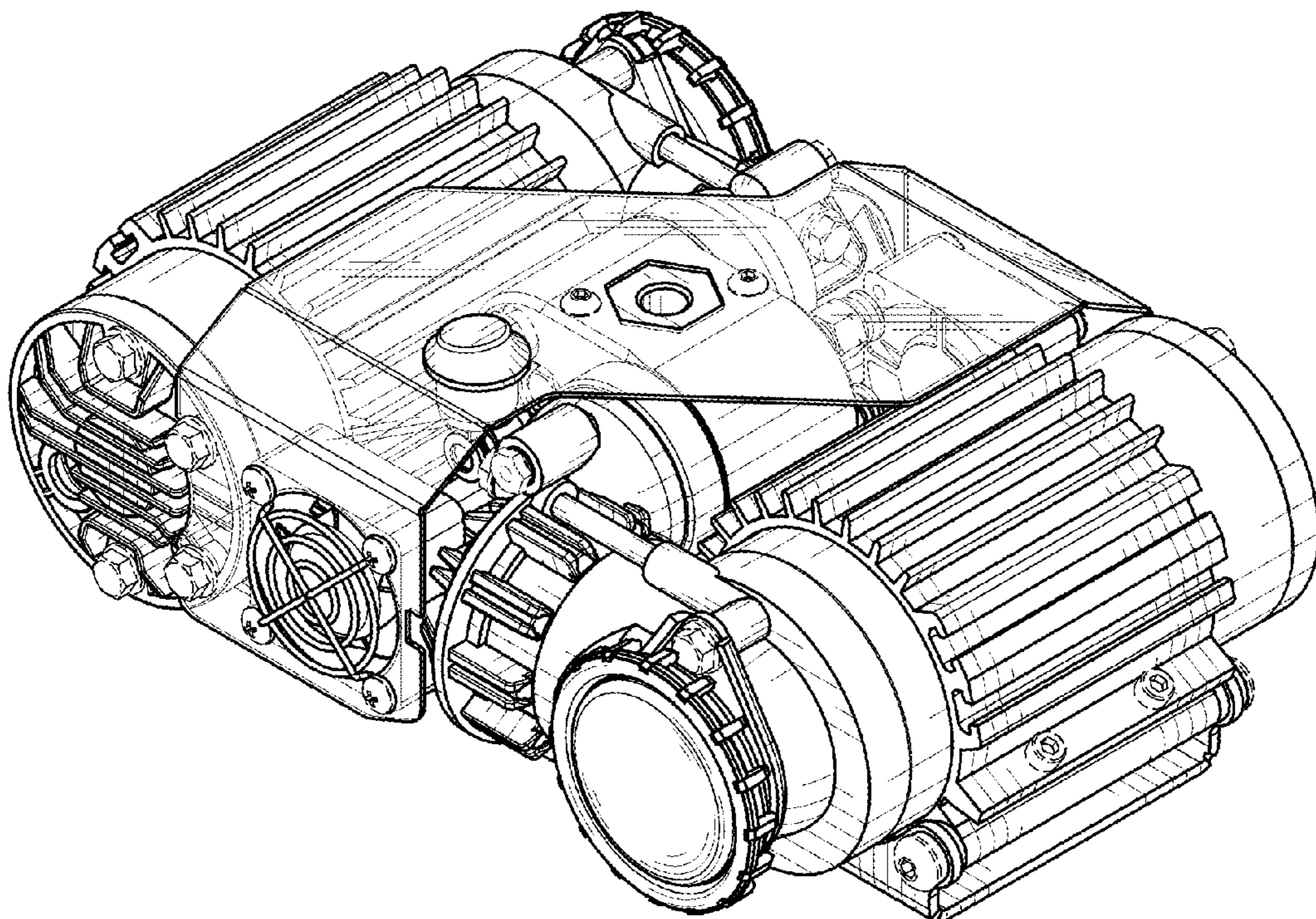
FIG. 6 is a top plan view of FIG. 1; and,

FIG. 7 is a bottom plan view of FIG. 1.

All the Drawings are presented in the normal black and white colors.

The broken lines shown in the figures depict portions of the double air pump that form no part of the claimed design.

1 Claim, 7 Drawing Sheets



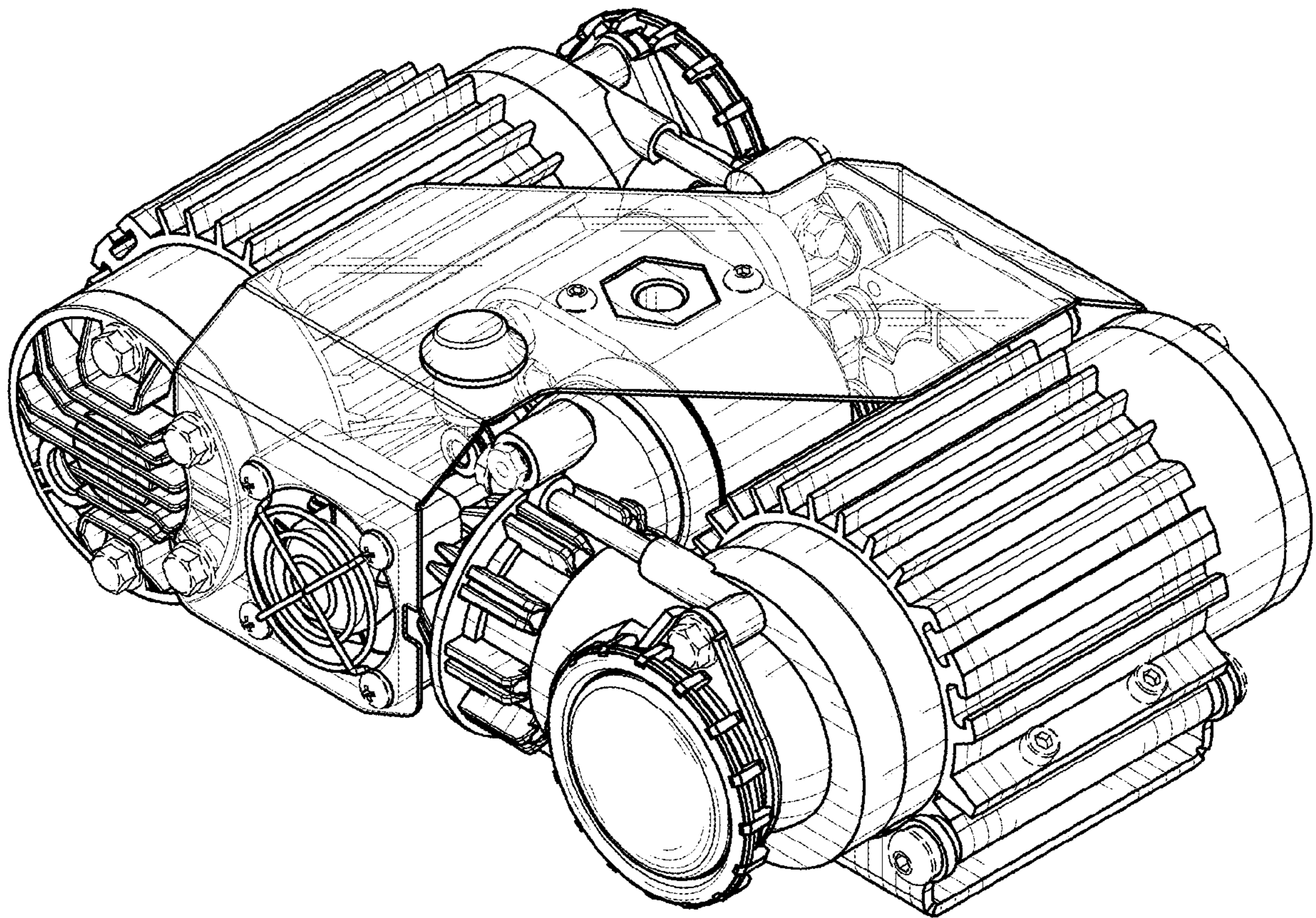


FIG. 1

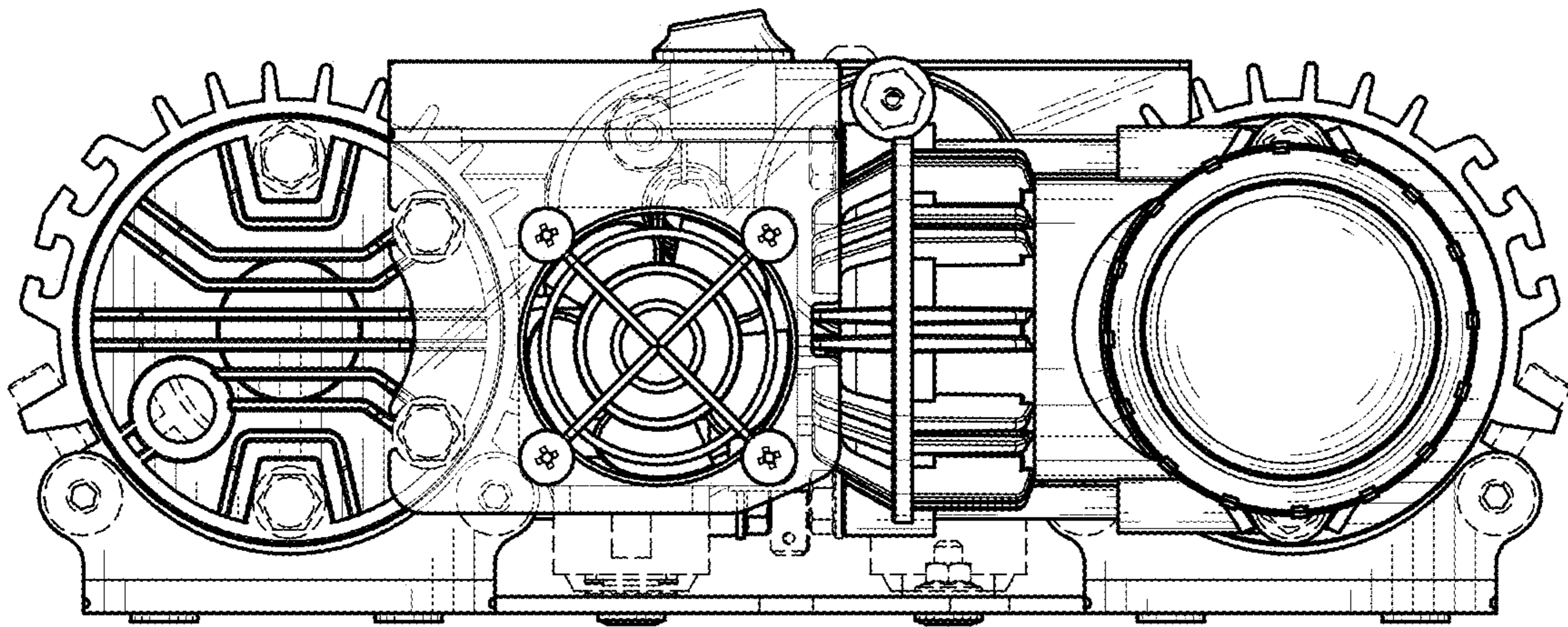


FIG. 2

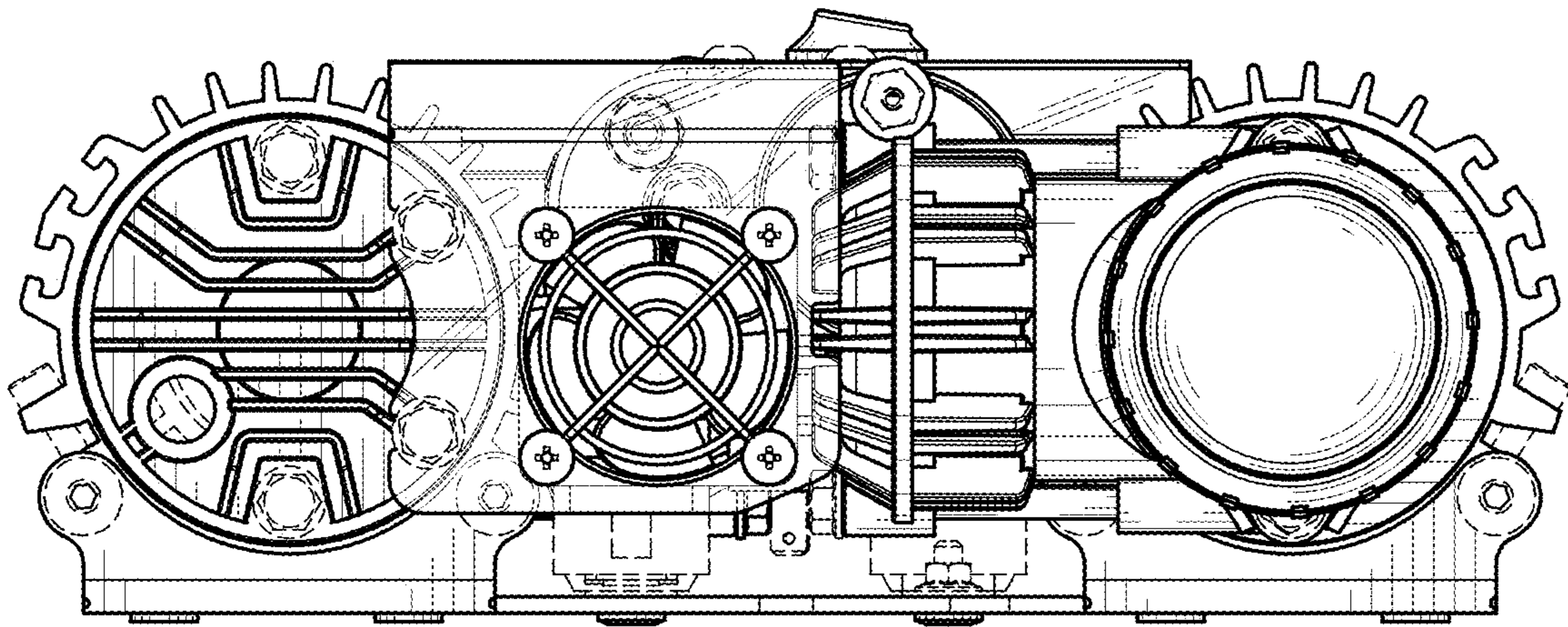


FIG. 3

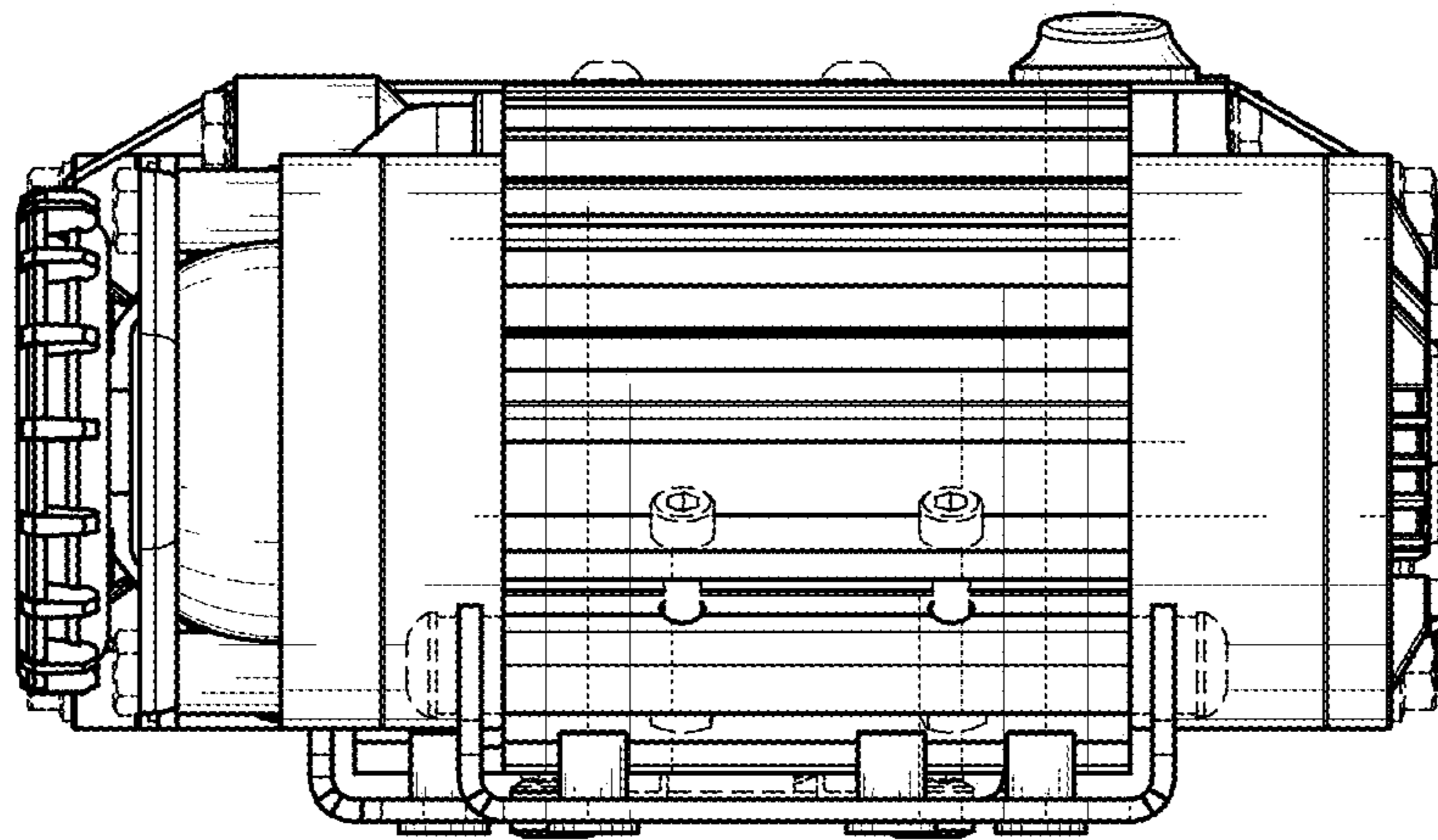


FIG. 4

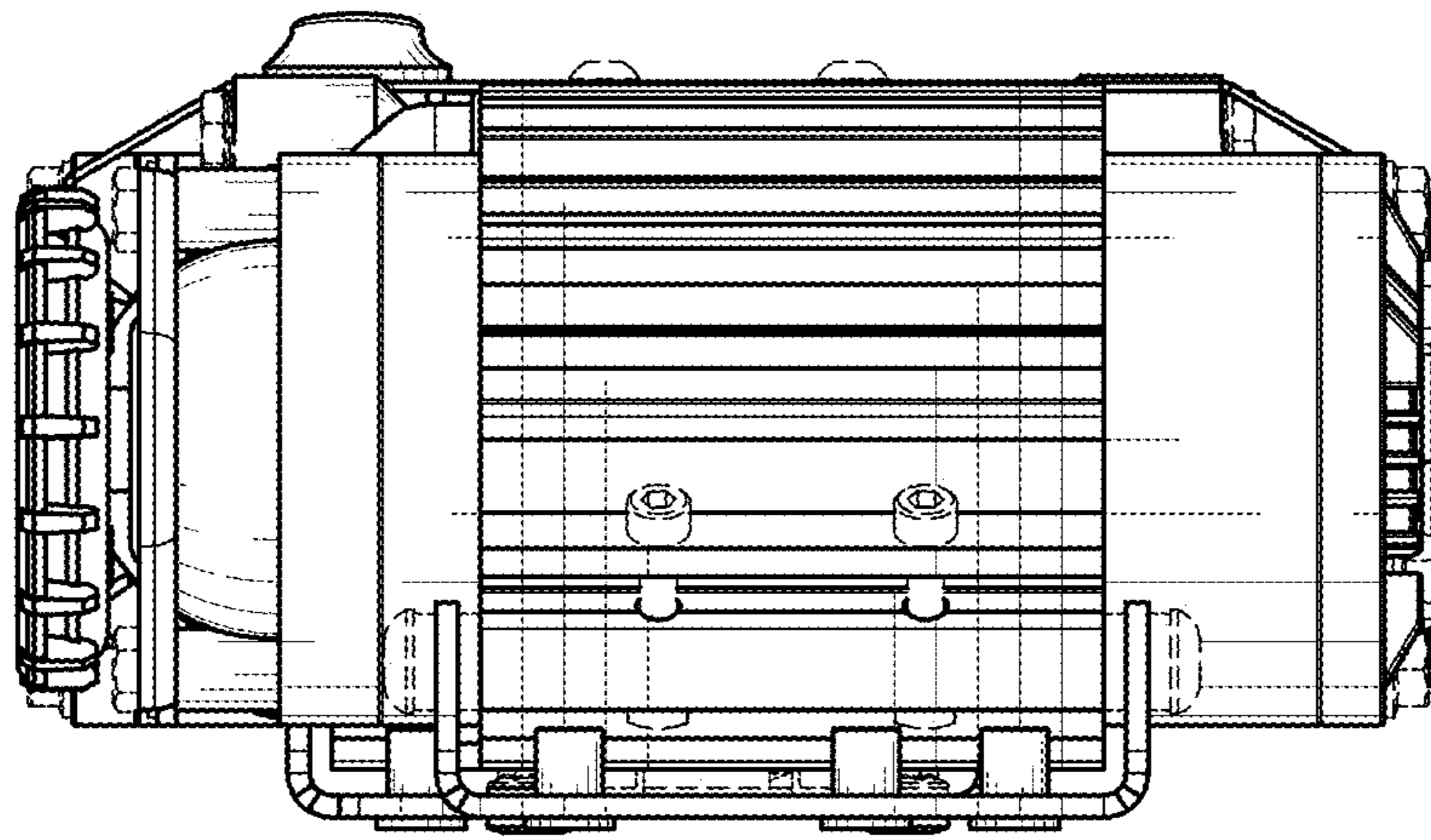


FIG. 5

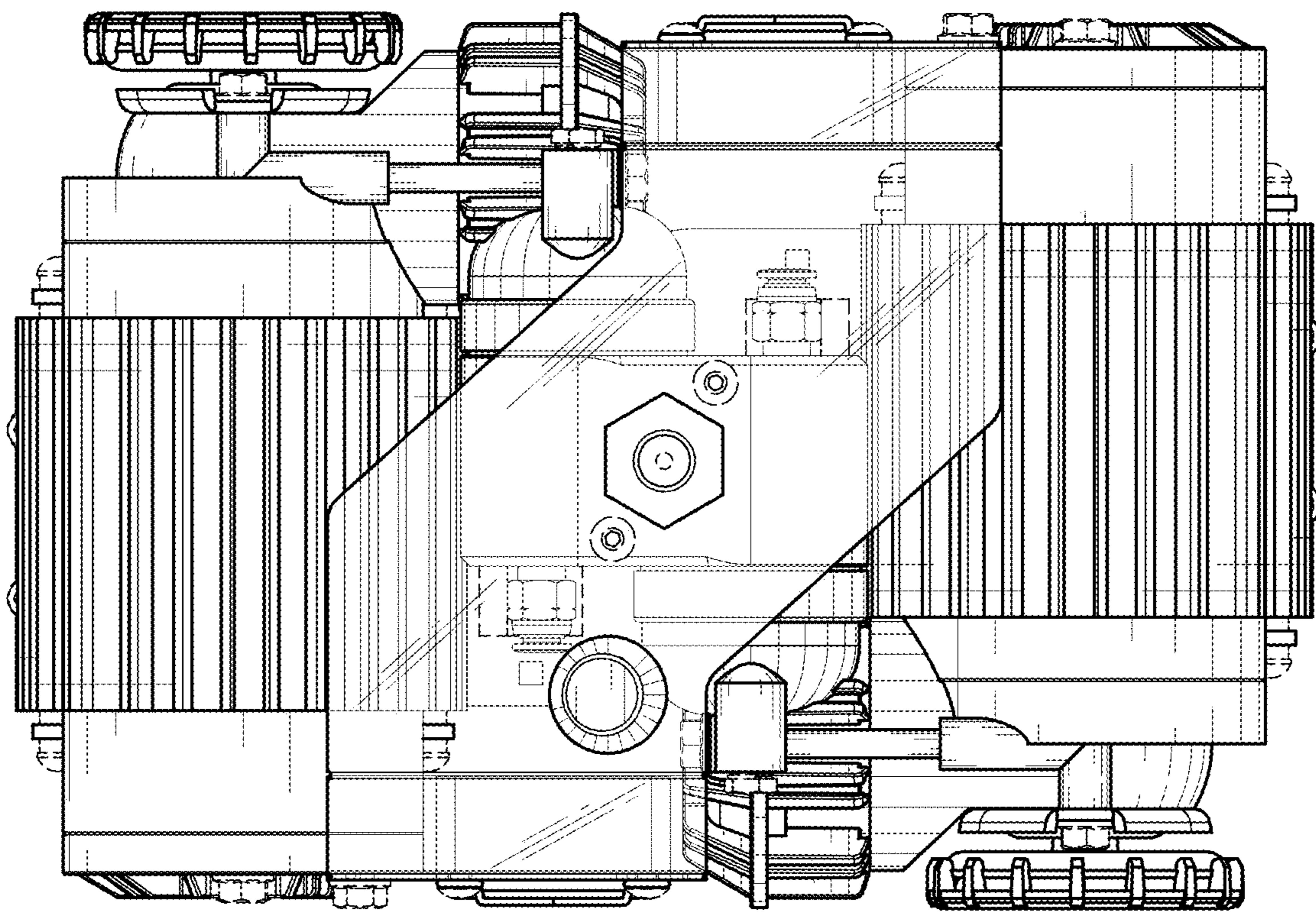


FIG. 6

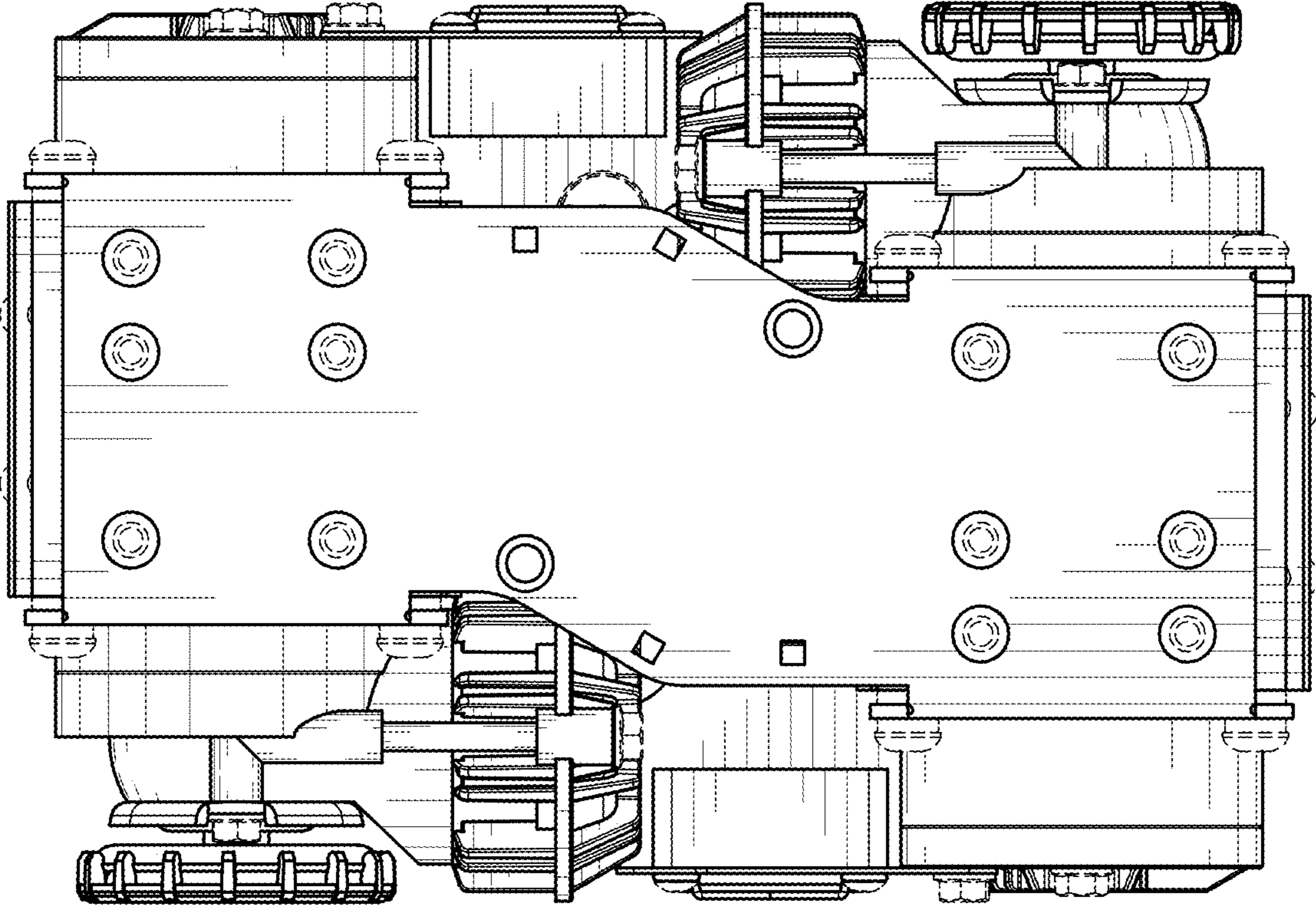


FIG. 7