



US00D946013S

(12) **United States Design Patent**
Maiman et al.

(10) **Patent No.:** **US D946,013 S**
(45) **Date of Patent:** **** Mar. 15, 2022**

(54) **DISPLAY SCREEN OR PORTION THEREOF WITH ANIMATED GRAPHICAL USER INTERFACE**

(71) Applicant: **Capital One Services, LLC**, McLean, VA (US)

(72) Inventors: **Tyler Maiman**, Melville, NY (US); **Sophie Bermudez**, Dartmouth, MA (US); **Jose Vazquez**, Vienna, VA (US); **Gaurang J. Bhatt**, Herndon, VA (US); **Andrea Montealegre**, Arlington, VA (US)

(73) Assignee: **Capital One Services, LLC**, McLean, VA (US)

(**) Term: **15 Years**

(21) Appl. No.: **29/735,682**

(22) Filed: **May 22, 2020**

(51) **LOC (13) Cl.** **14-04**

(52) **U.S. Cl.**
USPC **D14/485**

(58) **Field of Classification Search**

USPC D14/485-495
CPC G06F 3/048; G06F 3/0481; G06F 3/04812; G06F 3/04817; G06F 3/0482; G06F 3/0483; G06F 3/0484; G06F 3/04847; G06F 3/0485; G06F 3/04855; G06F 3/04886; G06Q 30/00; H03J 1/00; H03J 1/0008; H03J 1/0016; H03J 1/0025; H04N 5/00; H04N 5/08; H04N 5/14; H04N 5/222; H04N 5/225; H04N 5/232; H04N 5/445; H04N 5/44543; H04N 5/45; H04N 21/00; H04N 21/234; H04N 21/431; H04N 21/4312; H04N 21/4314; H04N 21/4316; H04N 21/4532; H04N 21/4622; H04N 21/47; H04N 21/478; H04N 21/482; H04N

(Continued)

(56) **References Cited**

U.S. PATENT DOCUMENTS

D568,418 S * 5/2008 Webster D21/499
D588,607 S * 3/2009 O'Donnell D14/489

(Continued)

OTHER PUBLICATIONS

"Cube animated GIF." deviantart.com. Published Sep. 18, 2012. Retrieved Sep. 24, 2021 online at URL: <https://www.deviantart.com/retsamys/art/Cube-animated-GIF-327924282> (Year: 2012).*

(Continued)

Primary Examiner — Christian P. McLean

(74) *Attorney, Agent, or Firm* — Sterne, Kessler, Goldstein & Fox P.L.L.C.

(57) **CLAIM**

The ornamental design for a display screen or portion thereof with animated graphical user interface, as shown and described.

DESCRIPTION

FIG. 1 is a front view of a display screen or portion thereof with animated graphical user interface showing a first image of the claimed design;

FIG. 2 is a second image thereof;

FIG. 3 is a third image thereof;

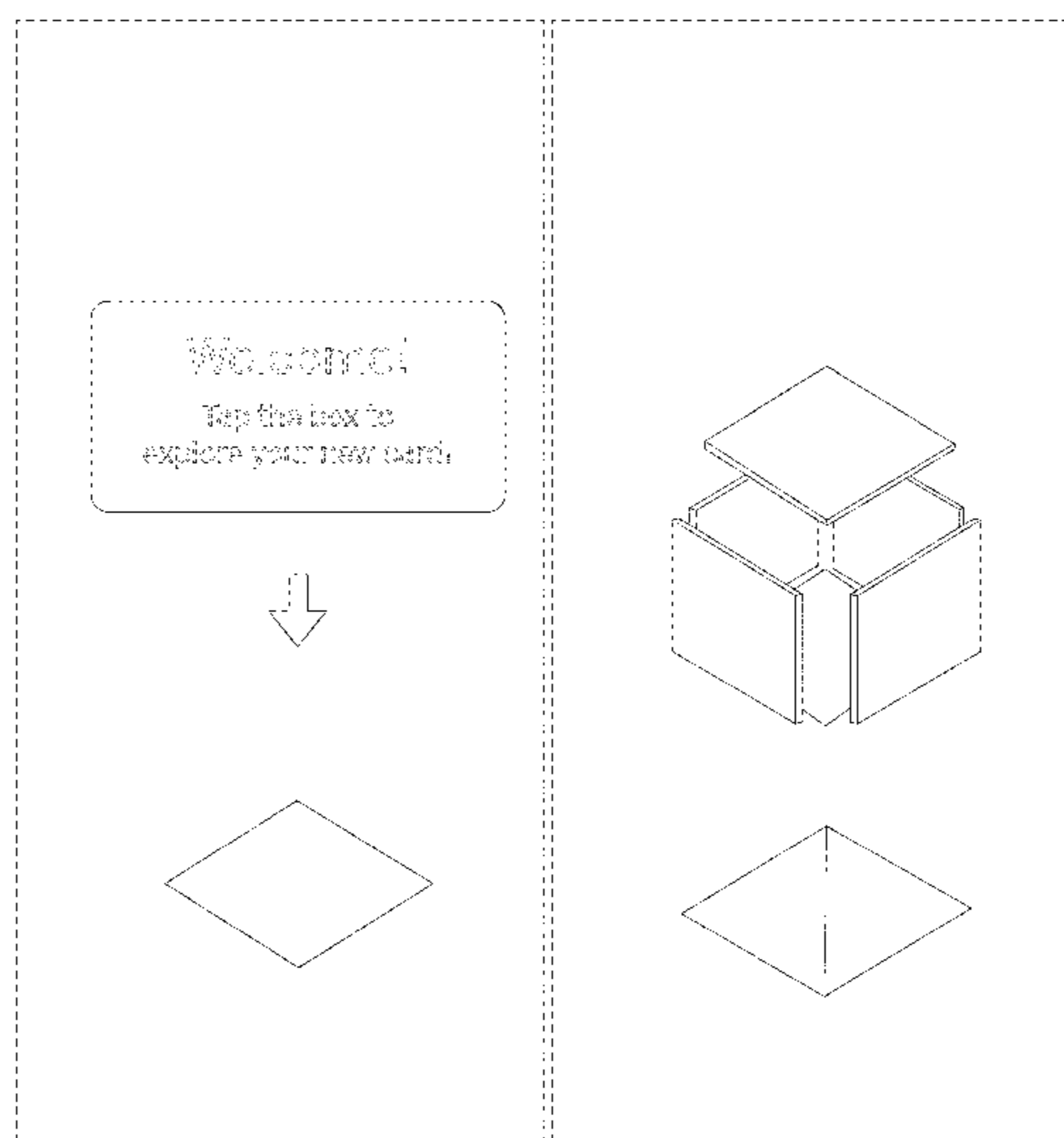
FIG. 4 is a fourth image thereof; and,

FIG. 5 is a fifth image thereof.

The appearance of the animated image sequentially transitions between the images shown in FIGS. 1-5. The process or period in which one image transitions to another forms no part of the claimed design.

The outermost dashed broken lines the figures show a display screen or portion thereof, and form no part of the claimed design. The other dashed broken lines in the figures show portions of the animated graphical user interface that form no part of the claimed design.

1 Claim, 5 Drawing Sheets



(58) **Field of Classification Search**
 CPC 21/4884; H04N 21/4888; H04N 21/4856;
 H04N 21/485; H04N 21/6547
 See application file for complete search history.

(56) **References Cited**

U.S. PATENT DOCUMENTS

D623,657 S *	9/2010	Fitzmaurice	D14/488
D628,586 S *	12/2010	Umezawa	D14/492
D710,882 S *	8/2014	Francisco	D14/489
D712,910 S *	9/2014	Liao	D14/486
D732,072 S *	6/2015	Ying	D14/489
D745,040 S *	12/2015	Leighton	D14/488
D760,239 S *	6/2016	Hirai	D14/485
D765,703 S *	9/2016	Song	D14/486
D769,901 S *	10/2016	Kim	D14/485
D777,185 S *	1/2017	Kwak	D14/486
D831,685 S *	10/2018	Peeten	D14/486
D835,156 S *	12/2018	Griffin	D14/492
D845,975 S *	4/2019	Peeten	D14/486
D864,309 S *	10/2019	Barwald	D21/499

D868,835 S *	12/2019	Pudipeddi	D14/492
D884,018 S *	5/2020	Agarawala	D14/488
D885,431 S *	5/2020	Griffin	D14/492
D888,761 S *	6/2020	Pazmino	D14/489
D896,272 S *	9/2020	Griffin	D14/492
D910,067 S *	2/2021	Kim	D14/489
D916,902 S *	4/2021	Pazmino	D14/489
D921,002 S *	6/2021	Shah	D14/485
D926,226 S *	7/2021	Griffin	D14/492
D931,325 S *	9/2021	Pazmino	D14/488
D931,894 S *	9/2021	Pazmino	D14/488
D933,079 S *	10/2021	Baber	D14/485
D933,703 S *	10/2021	Pazmino	D14/488
D933,706 S *	10/2021	Pazmino	D14/489

OTHER PUBLICATIONS

Young, Parker. "Box Opening Sequence." dribbble.com. Posted Nov. 14, 2015. Retrieved Sep. 24, 2021 online at URL: <https://dribbble.com/shots/2353058-Box-Opening-Sequence> (Year: 2015).*

* cited by examiner

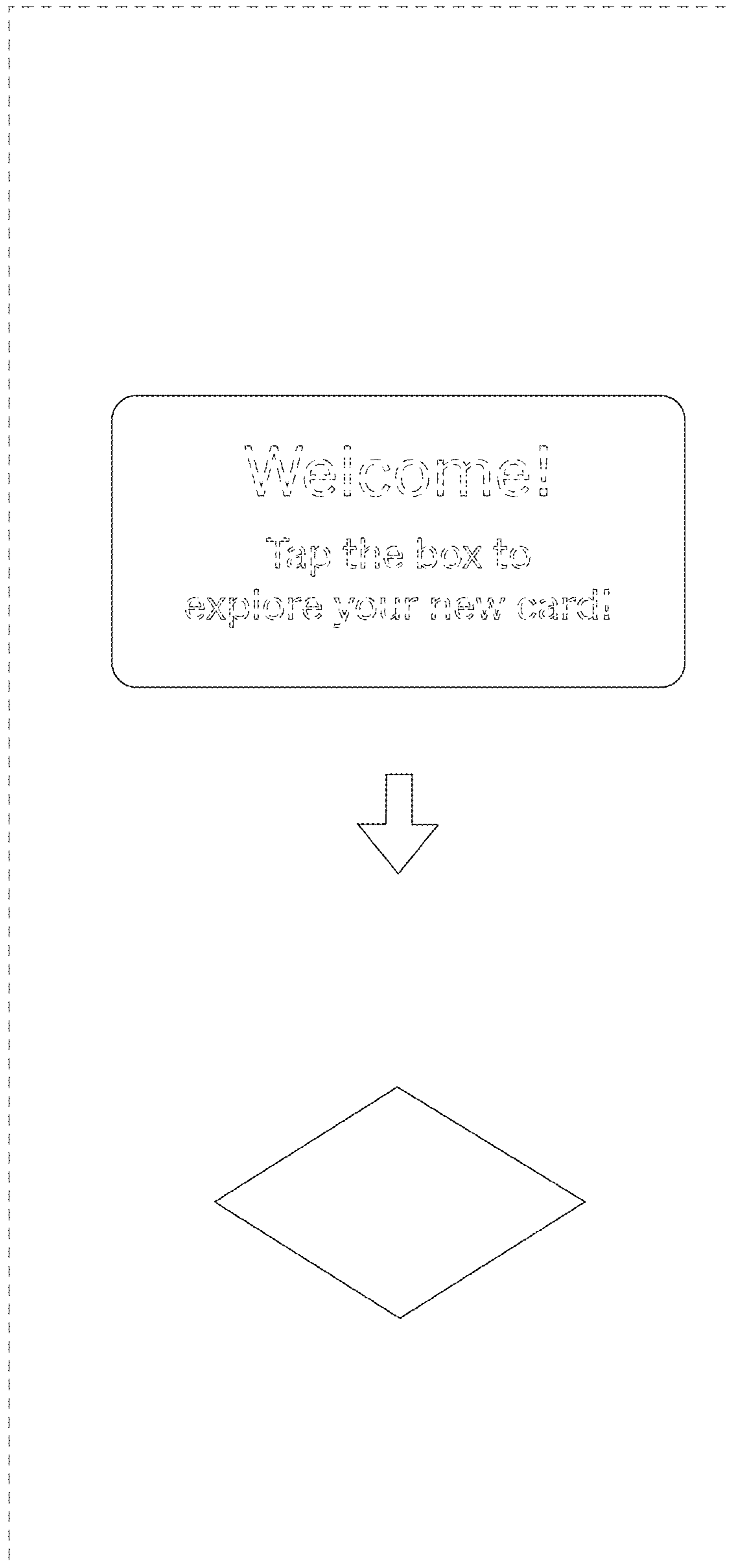


FIG. 1

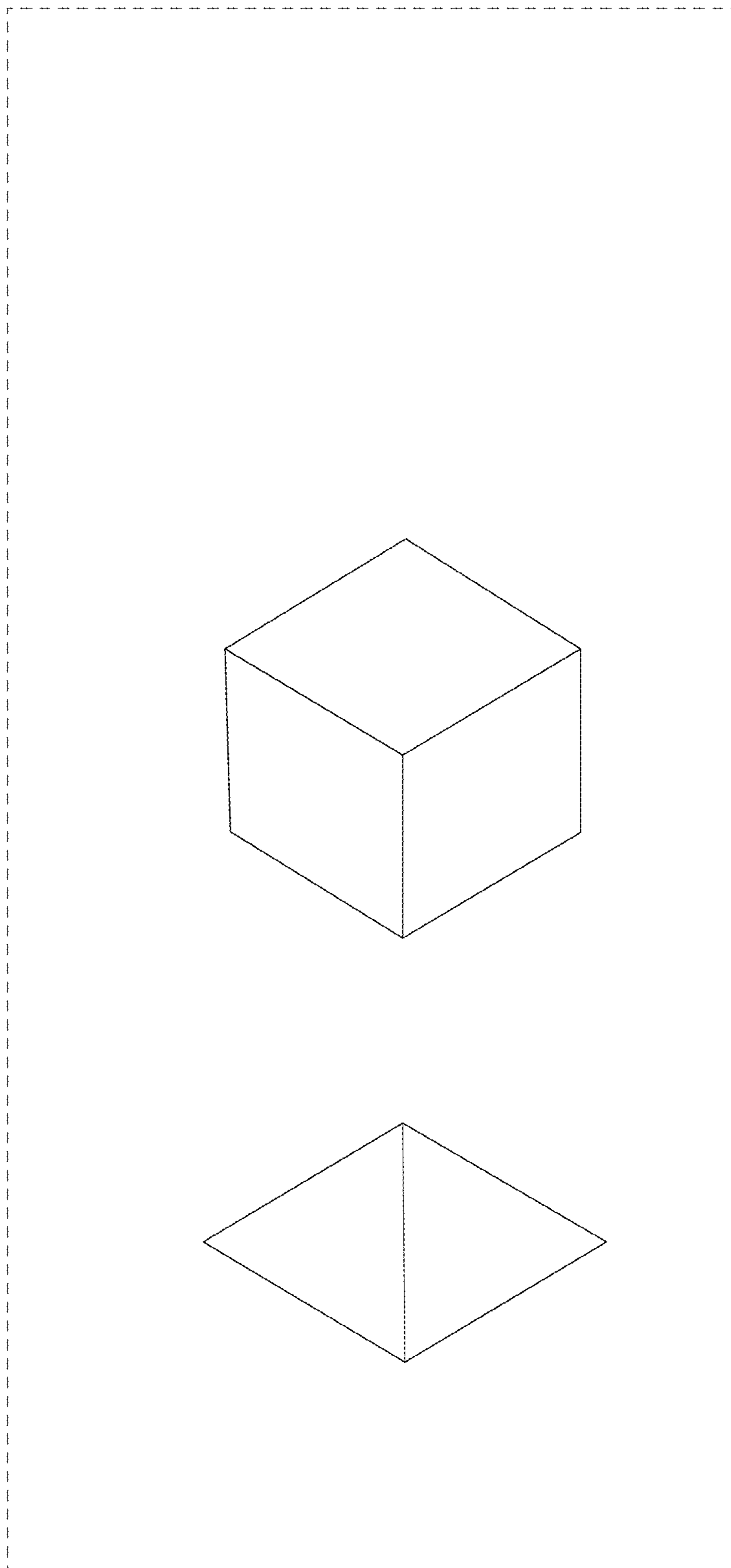


FIG. 2

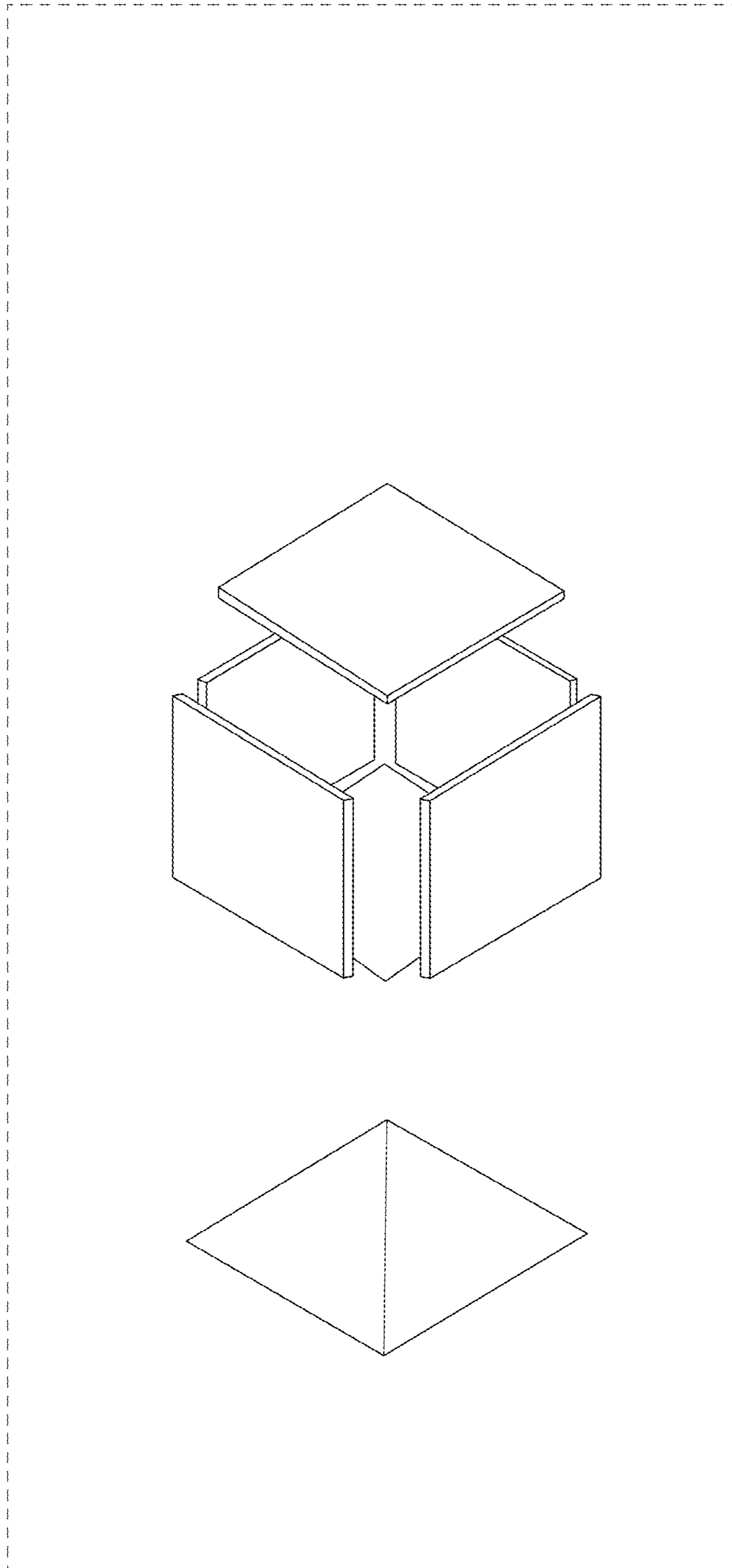


FIG. 3

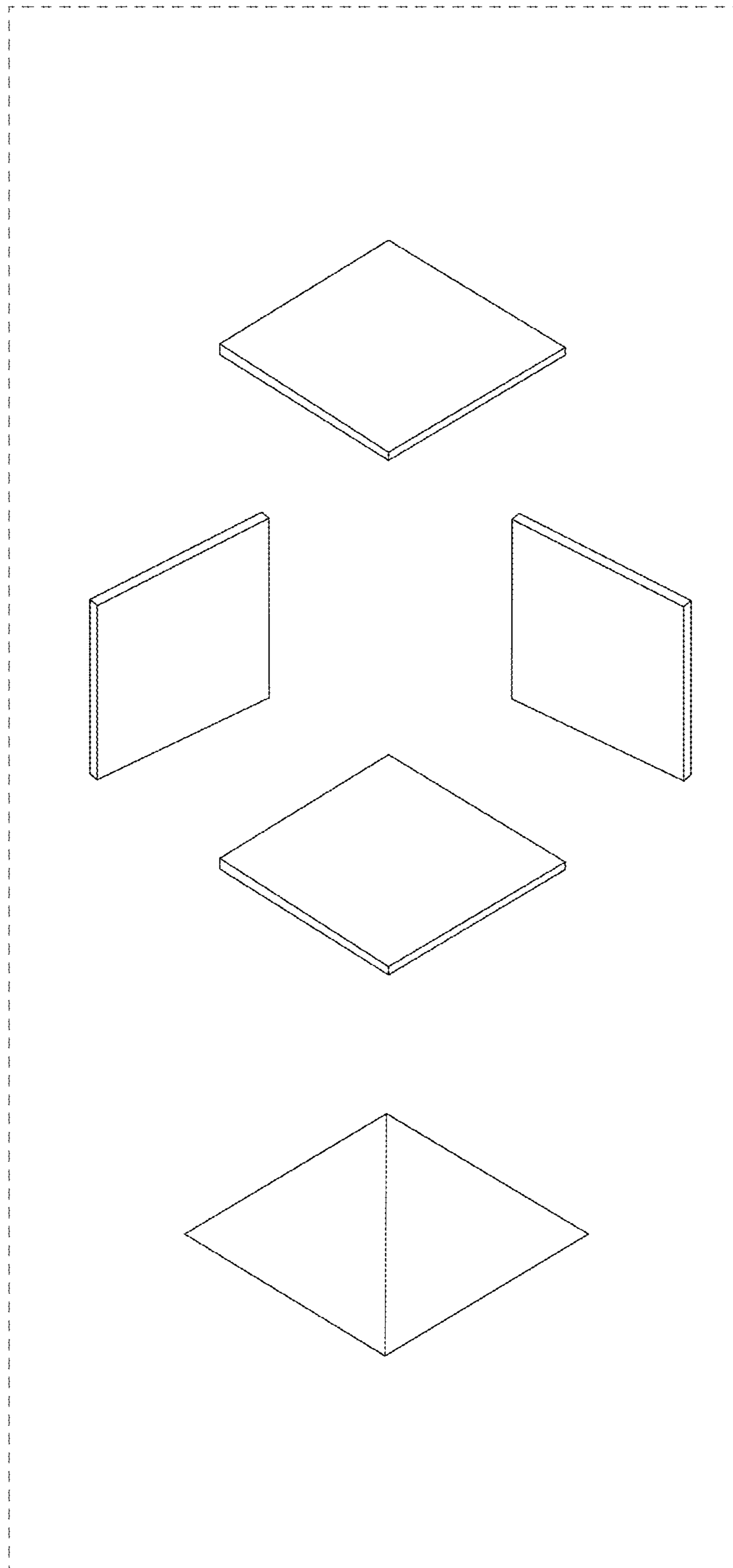


FIG. 4

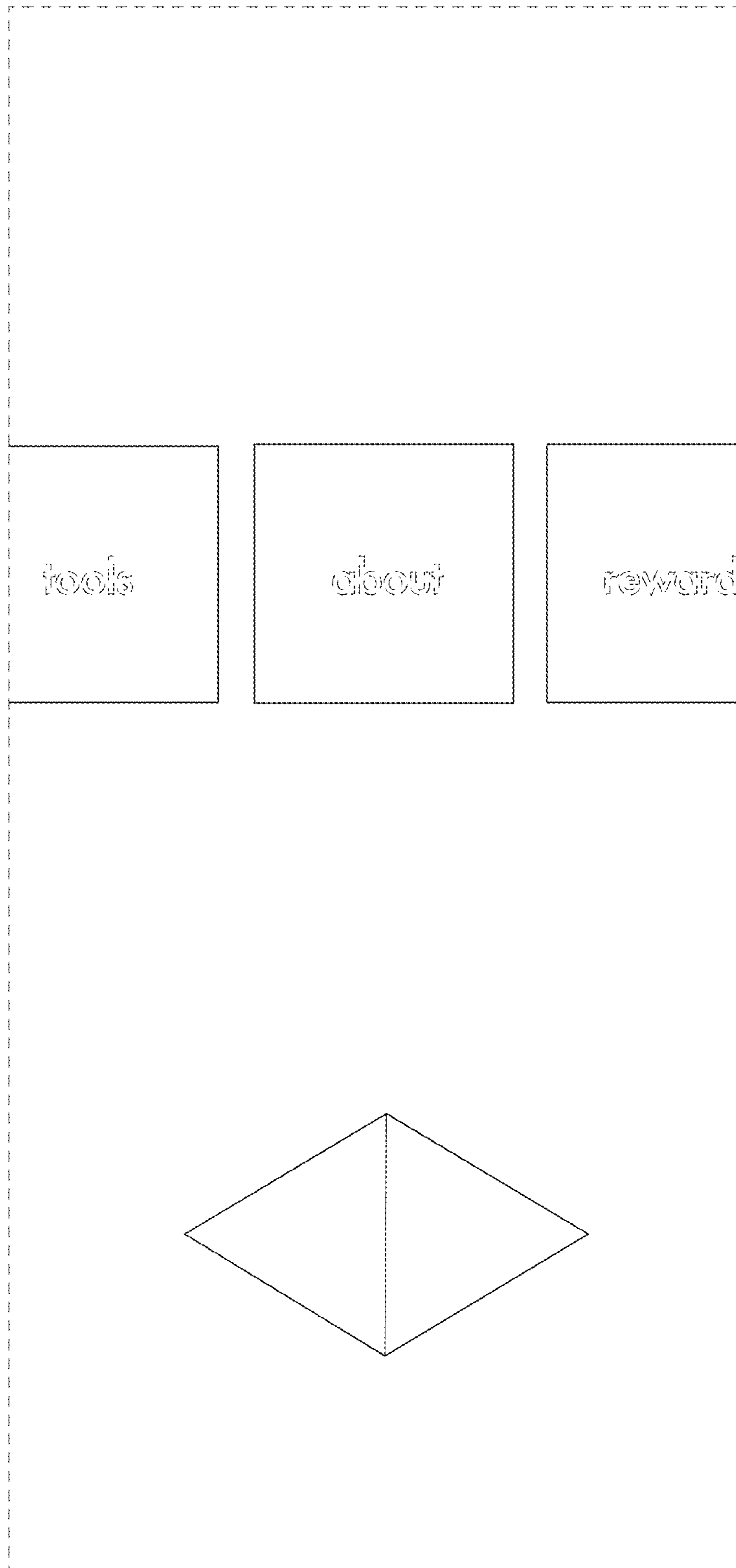


FIG. 5