



US00D946004S

(12) **United States Design Patent**
Jiang

(10) **Patent No.:** **US D946,004 S**
(45) **Date of Patent:** **** Mar. 15, 2022**

(54) **SCREEN SWIVEL MOUNT**

D914,661 S * 3/2021 Kim D14/239
D933,034 S * 10/2021 Kim D14/126
D936,641 S * 11/2021 Kim G06F 1/1601
D14/239

(71) Applicant: **Tao Jiang**, Jiangsu (CN)

(72) Inventor: **Tao Jiang**, Jiangsu (CN)

(**) Term: **15 Years**

CN 3455567 * 6/2005
CN 306230932 * 12/2020

(21) Appl. No.: **29/796,129**

FOREIGN PATENT DOCUMENTS

(22) Filed: **Jun. 22, 2021**

(51) **LOC (13) Cl.** **14-02**

(52) **U.S. Cl.**
USPC **D14/447**

(58) **Field of Classification Search**
USPC D14/239, 371, 372, 373, 374, 375, 376,
D14/377, 447-450, 451, 452, 335-337,
D14/125, 127, 128, 129, 341, 126;
D8/355, 363, 373; D6/672, 682
CPC F16M 11/2085; F16M 11/2092; F16M
11/2007; F16M 11/2014; F16M 11/2021;
F16M 11/105; F16M 11/048; F16M
11/12; F16M 13/022; F16M 11/10
See application file for complete search history.

OTHER PUBLICATIONS

Pimp My EV. Link: <https://pimpmyev.com/products/screen-swivel-mount-kit-with-abs-rear-cover-for-tesla-model-3-and-model-y-2017-2021>. Visited Jan. 3, 2022. Screen Swivel Mount Kit for Tesla. (Year: 2022).*
YouTube. Link: https://www.youtube.com/watch?v=BljdHtE_D_Q. Apr. 28, 2021. Tesla Model 3 and Model Y Swiveling Screen mount kit update. (Year: 2021).*
YouTube. Link: <https://www.youtube.com/watch?v=rTqumY33fCY>. Jul. 2, 2021. 2021 BEST Tesla Model Y Model 3 Swiveling Screen Bracket. (Year: 2021).*

* cited by examiner

Primary Examiner — Lauren D McVey

(57) **CLAIM**

The ornamental design for a screen swivel mount, as shown and described.

(56) **References Cited**

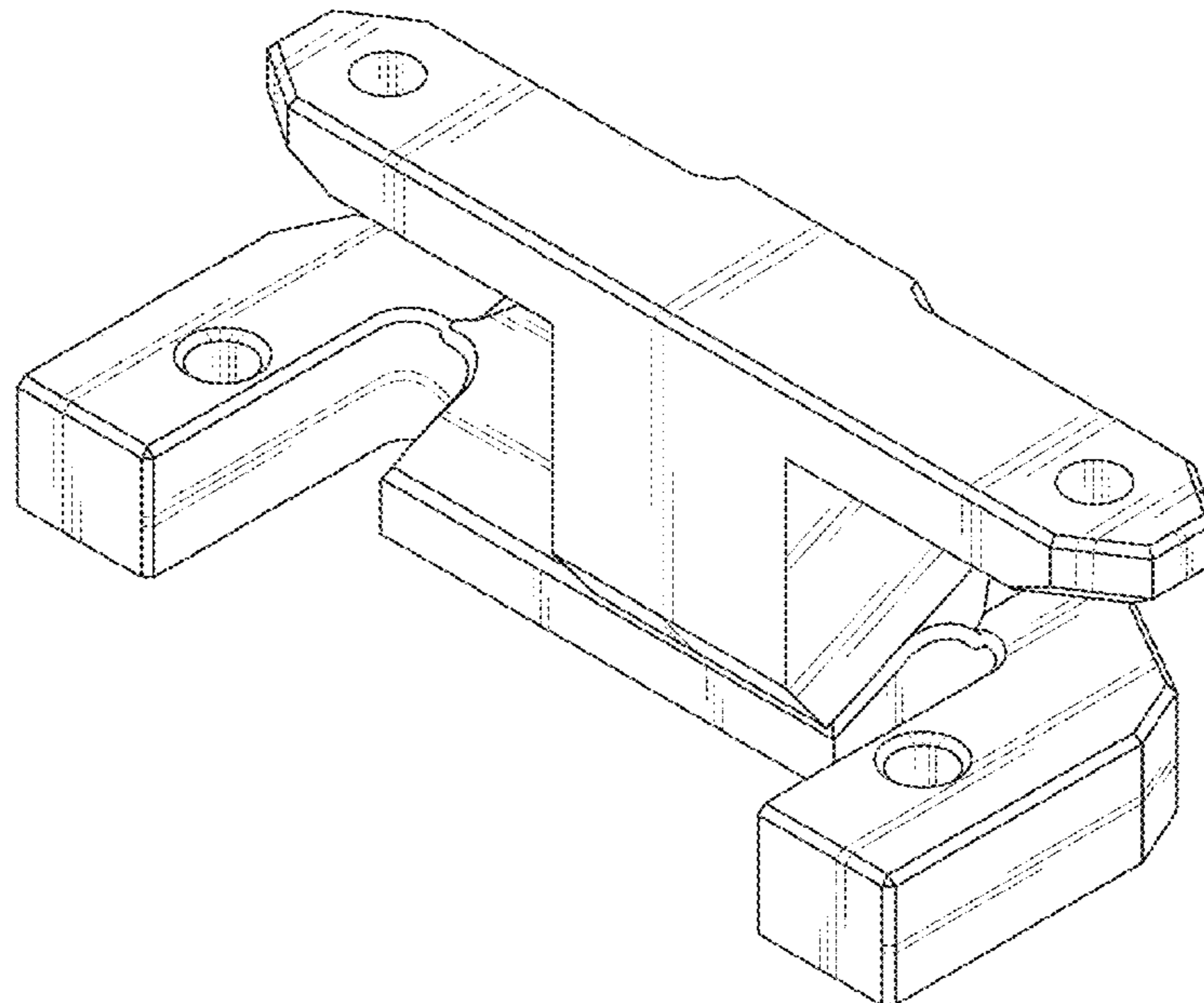
U.S. PATENT DOCUMENTS

D362,245 S * 9/1995 Moffatt D14/447
D474,188 S * 5/2003 Deguchi D14/447
D482,039 S * 11/2003 Chen D14/447
D558,351 S 12/2007 Diener
D561,775 S 2/2008 Wohlford
D798,254 S * 9/2017 Kim D14/126
D858,474 S * 9/2019 Lim D14/126
D872,066 S * 1/2020 Bailey D14/239
D881,199 S * 4/2020 Sheng D14/447
D897,325 S * 9/2020 Lee D14/239
D897,639 S * 10/2020 Anzai D2/891
D912,029 S * 3/2021 Kim D14/239

DESCRIPTION

FIG. 1 is a perspective view of a screen swivel mount showing my new design;
FIG. 2 is an alternative perspective view thereof;
FIG. 3 is a front view thereof;
FIG. 4 is a back view thereof;
FIG. 5 is a left side view thereof;
FIG. 6 is a right side view thereof;
FIG. 7 is a top view thereof; and,
FIG. 8 is a bottom view thereof.

1 Claim, 8 Drawing Sheets



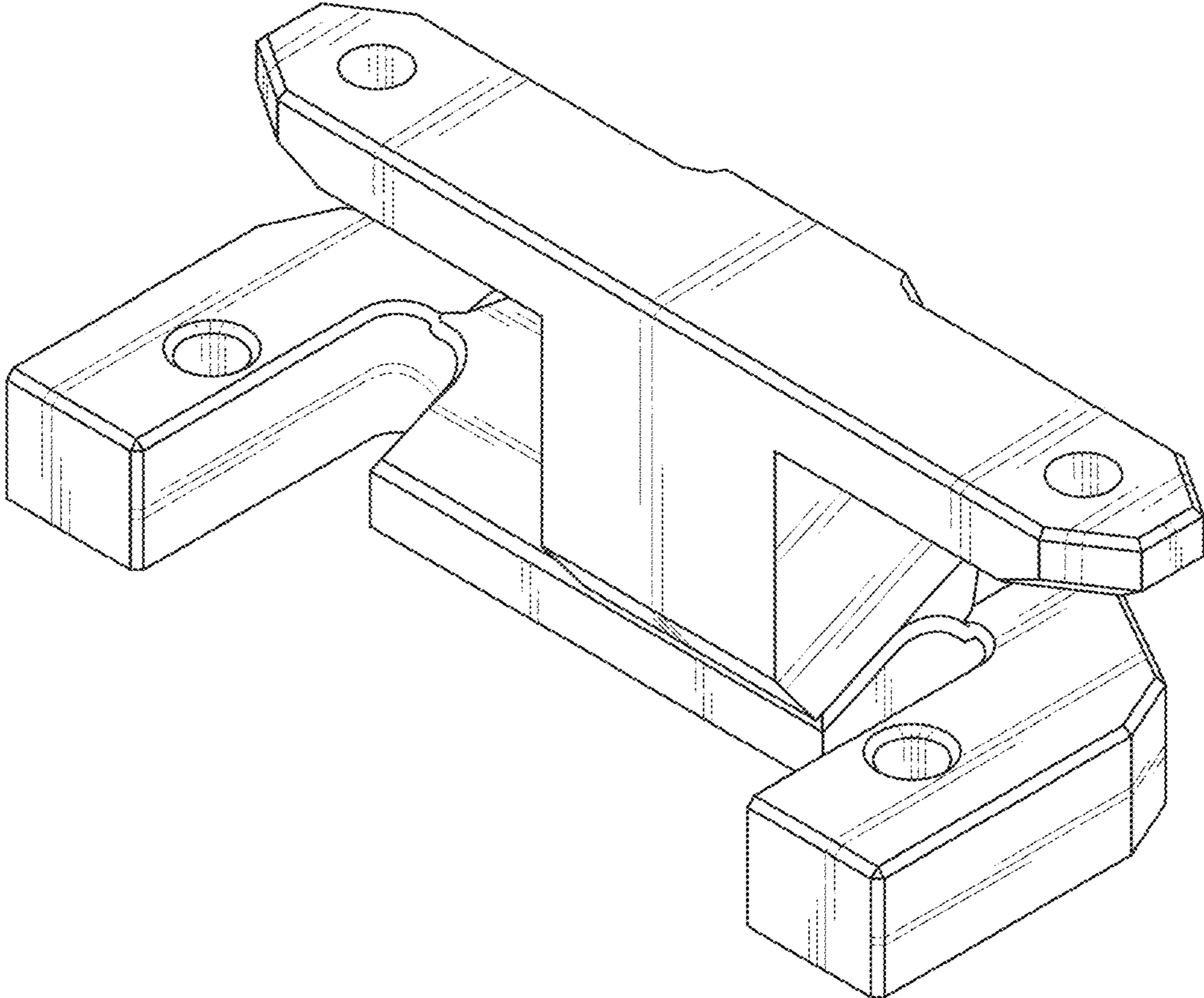


FIG. 1

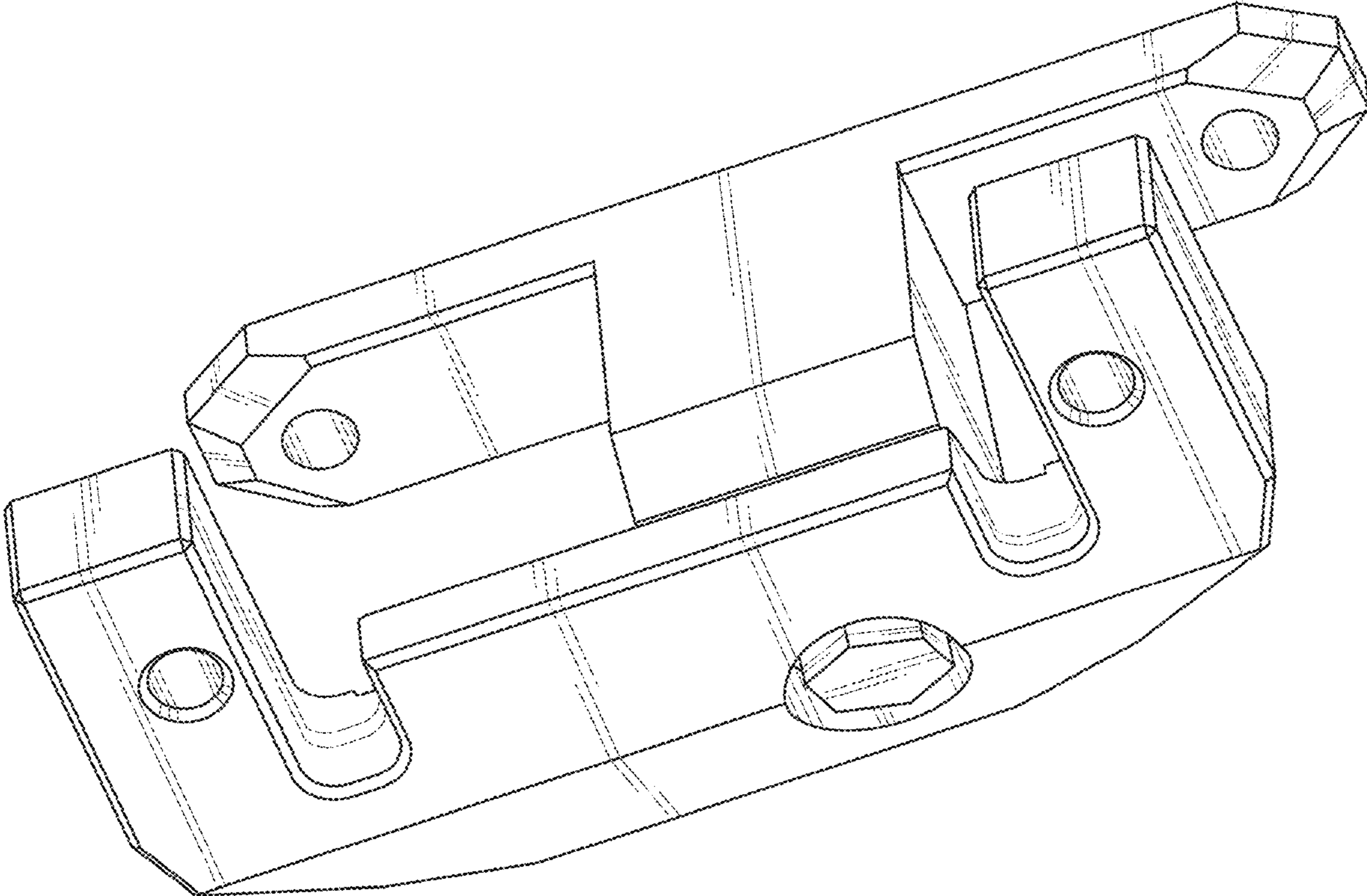


FIG.2

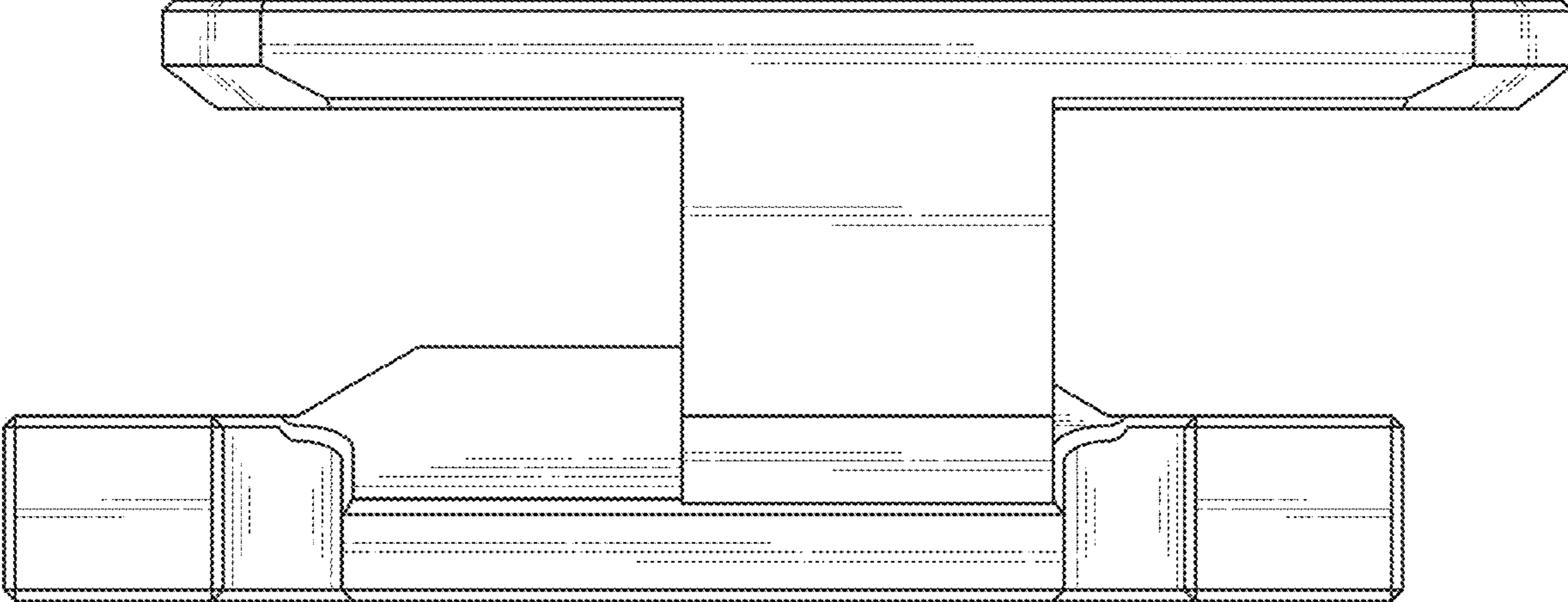


FIG.3

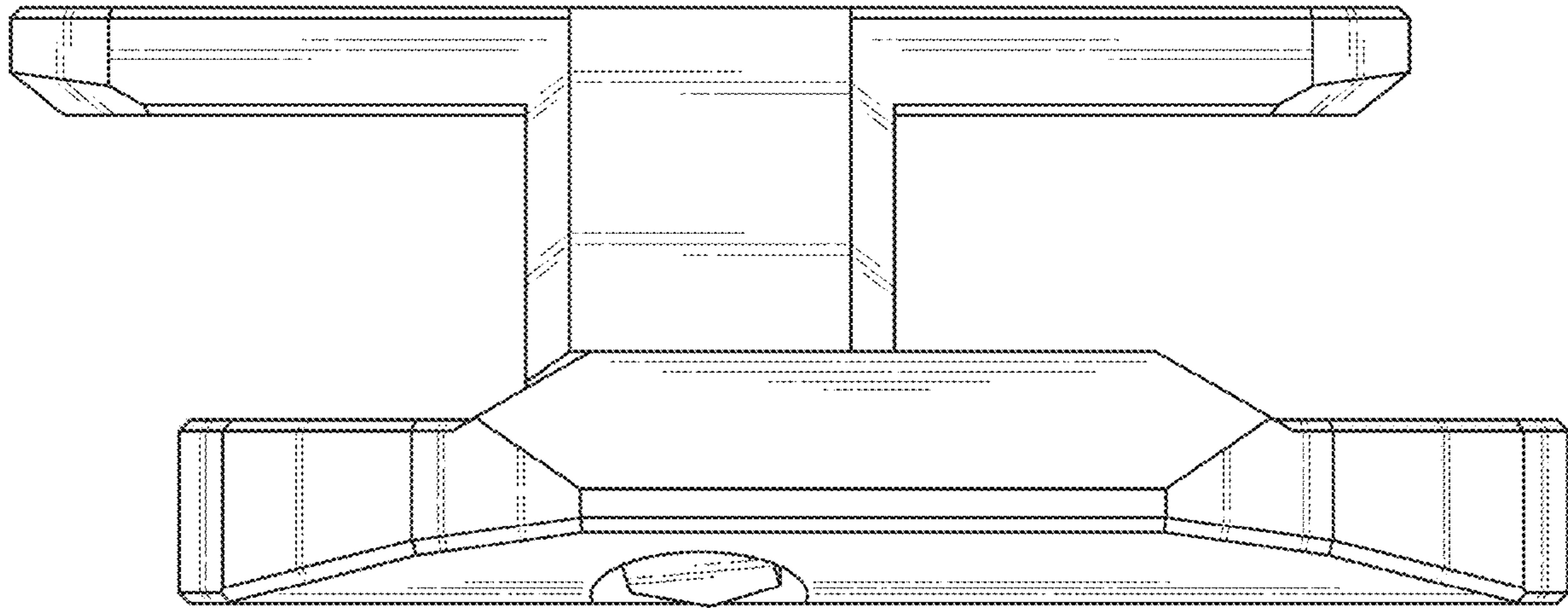


FIG. 4

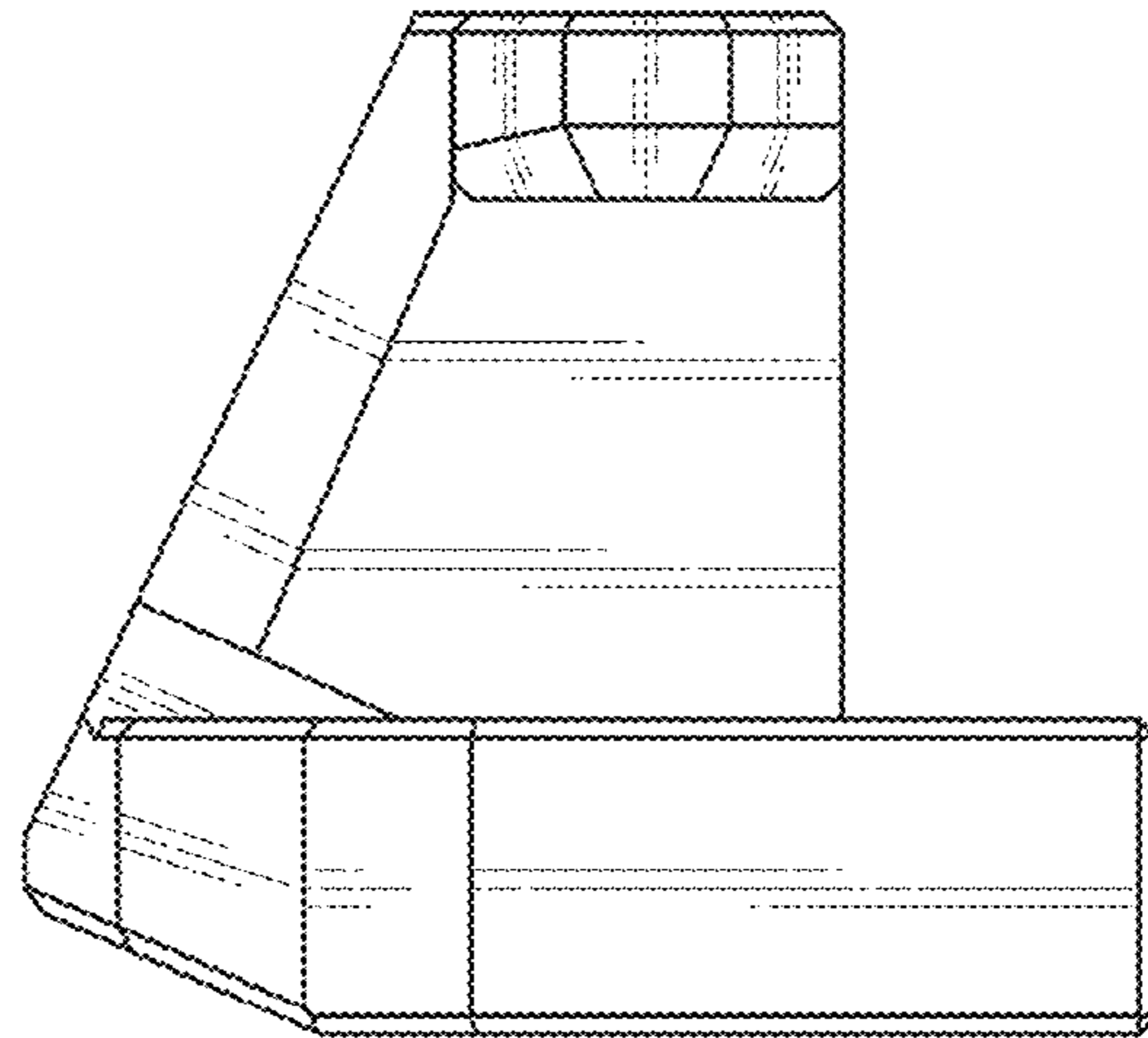


FIG.5

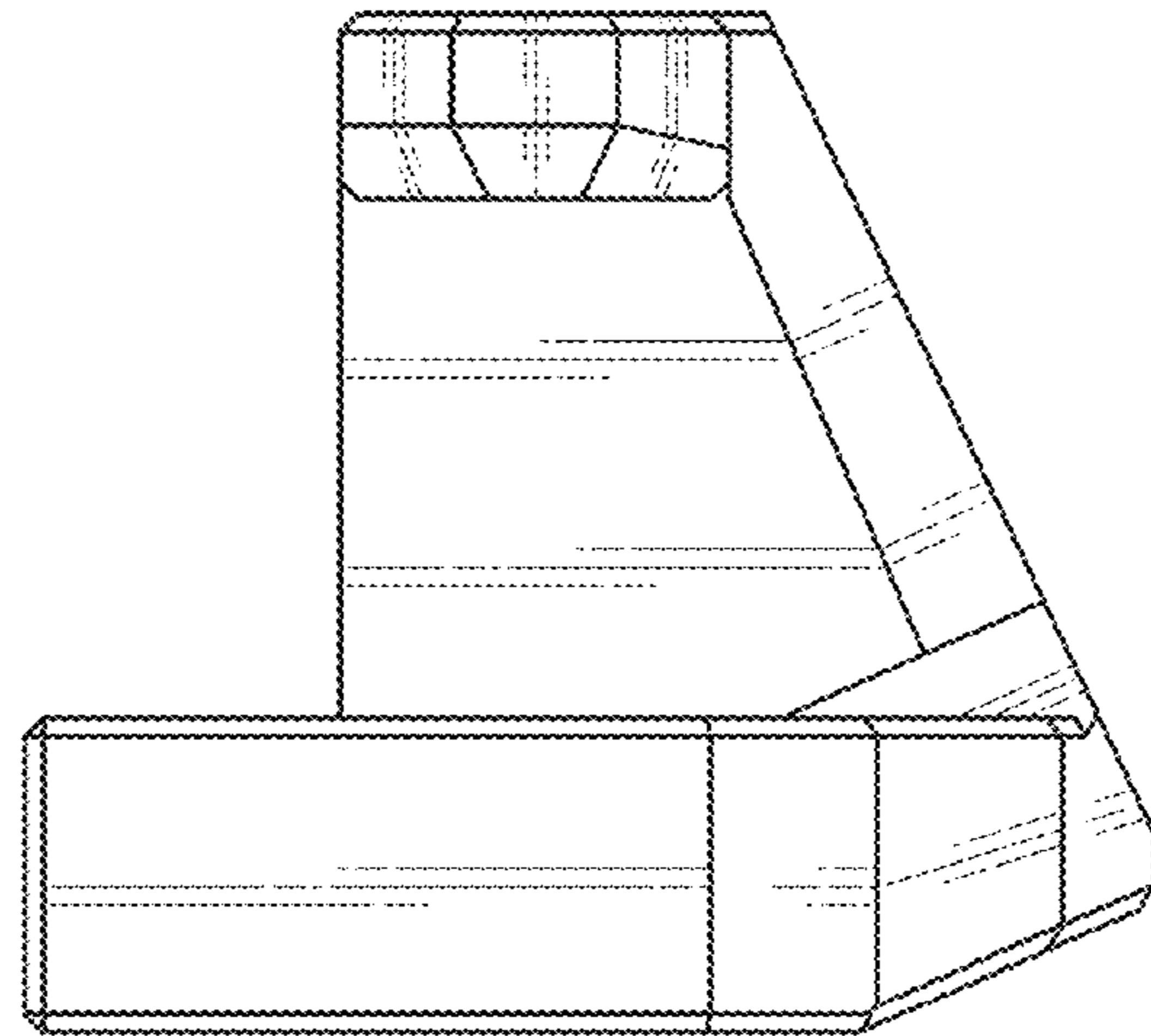


FIG.6

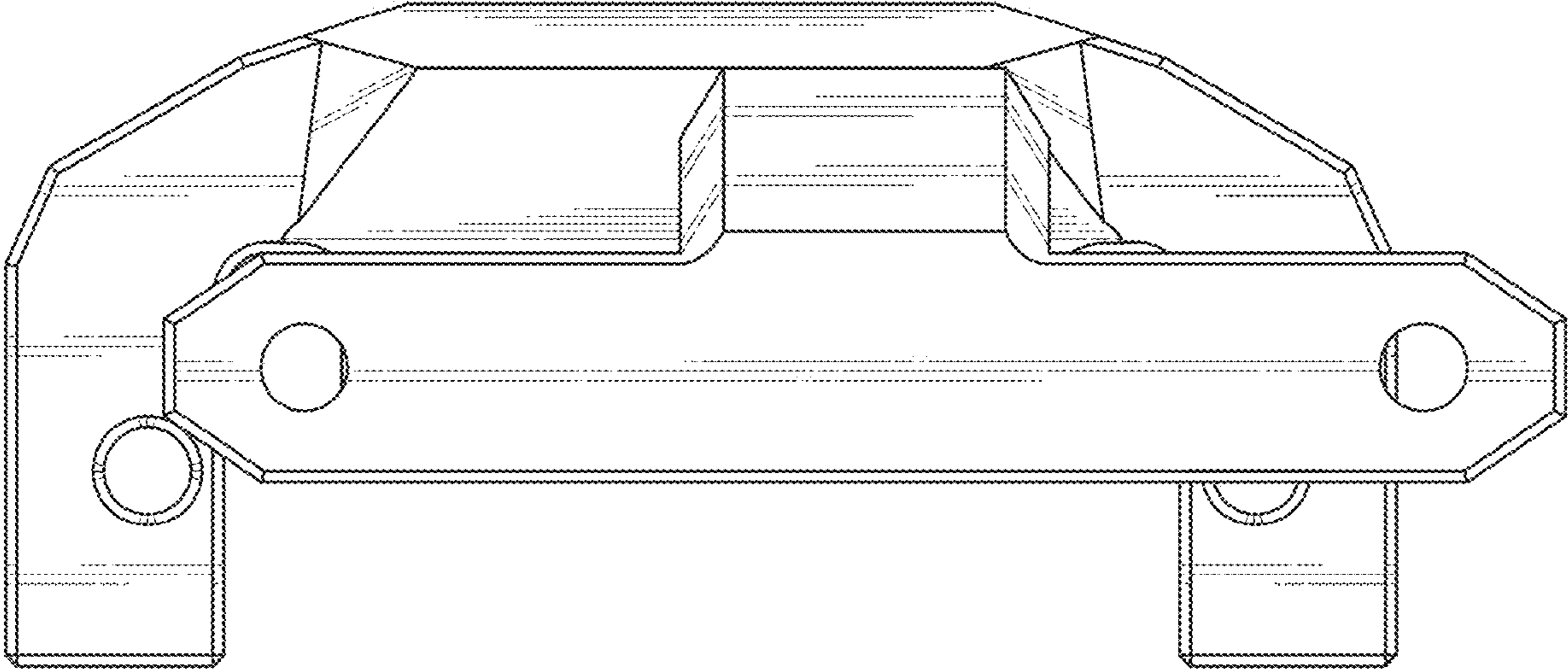


FIG. 7

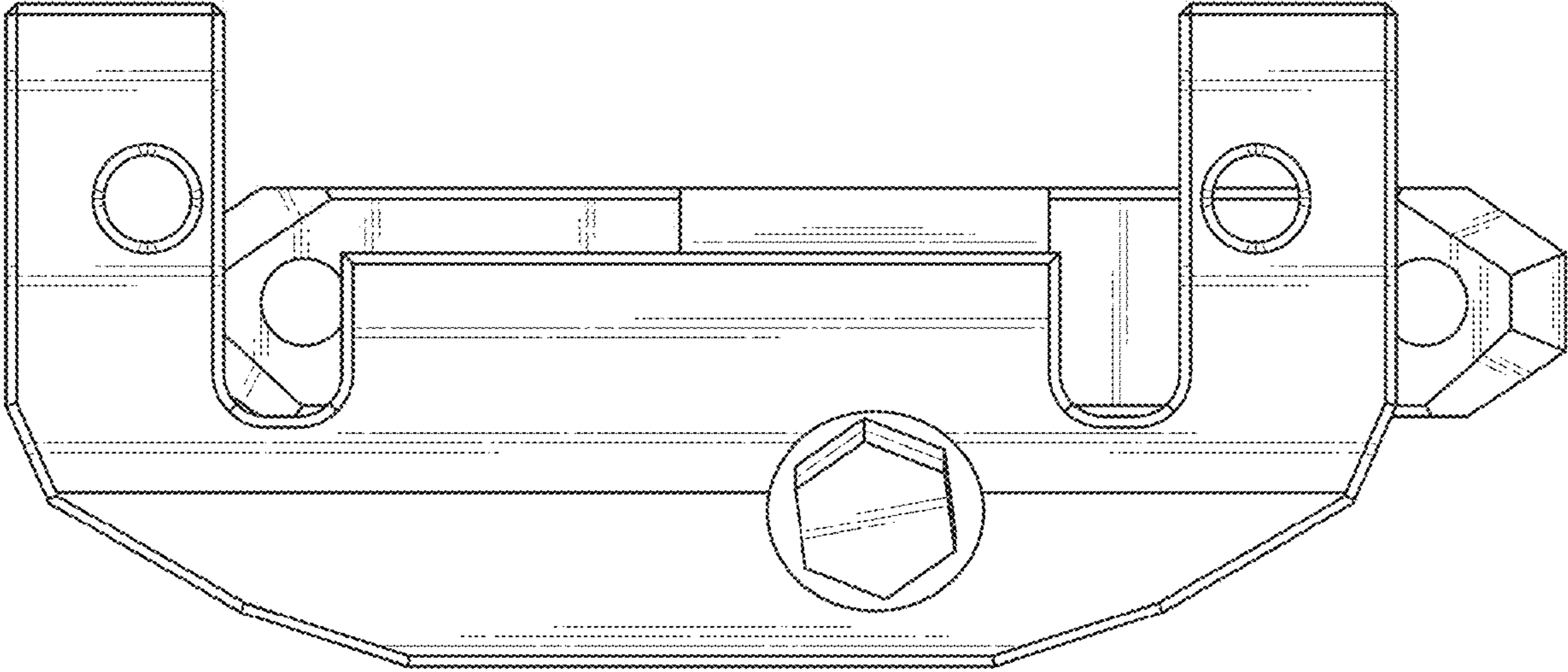


FIG.8