



US00D946001S

(12) **United States Design Patent** (10) **Patent No.:** **US D946,001 S**  
**Liao** (45) **Date of Patent:** **\*\* Mar. 15, 2022**

(54) **TABLET HOLDER**  
(71) Applicant: **Qianhai Junda (Shenzhen) Equity Investment Co., Ltd, Shenzhen (CN)**  
(72) Inventor: **Zhuowen Liao, Shenzhen (CN)**  
(73) Assignee: **Qianhai Junda (Shenzhen) Equity Investment Co., Ltd., Shenzhen (CN)**  
(\*\*) Term: **15 Years**

(21) Appl. No.: **29/753,318**  
(22) Filed: **Sep. 30, 2020**

(30) **Foreign Application Priority Data**

Jun. 23, 2020 (CN) ..... 202030326495.3  
(51) **LOC (13) Cl.** ..... **08-07**  
(52) **U.S. Cl.**  
USPC ..... **D14/447**  
(58) **Field of Classification Search**  
USPC ..... D14/447, 432, 434, 439, 440, 451, 452,  
D14/457, 239, 253; D8/363, 373, 380;  
D6/406.3, 406.4, 406.5, 406.6; D12/415;  
D13/108  
CPC ..... A47B 21/04; A47B 2097/006; A47B  
2097/005; A47B 2023/049; A45C  
2011/002; A45C 2011/003; F16M  
2200/00; F16M 13/00  
See application file for complete search history.

(56) **References Cited**

**U.S. PATENT DOCUMENTS**

D674,805 S \* 1/2013 Vincent ..... D14/447  
D677,261 S \* 3/2013 Hsu ..... D14/447

D678,297 S \* 3/2013 Willkomm ..... D14/447  
D687,439 S \* 8/2013 May ..... D14/447  
D687,441 S \* 8/2013 Janzen ..... D14/447  
D687,832 S \* 8/2013 Edwards ..... D14/447  
D707,685 S \* 6/2014 Johnson ..... D14/447  
D724,598 S \* 3/2015 Gelsomini ..... D14/447  
D746,292 S \* 12/2015 Heckler ..... D14/447  
D791,861 S \* 7/2017 Battle ..... D18/4.5  
D792,414 S \* 7/2017 Floersch ..... D14/447  
D795,266 S \* 8/2017 Williams ..... D14/447  
D830,369 S \* 10/2018 Grundstrom ..... D14/447

\* cited by examiner

*Primary Examiner* — Angela J Lee

(74) *Attorney, Agent, or Firm* — Wolf, Greenfield & Sacks, P.C.

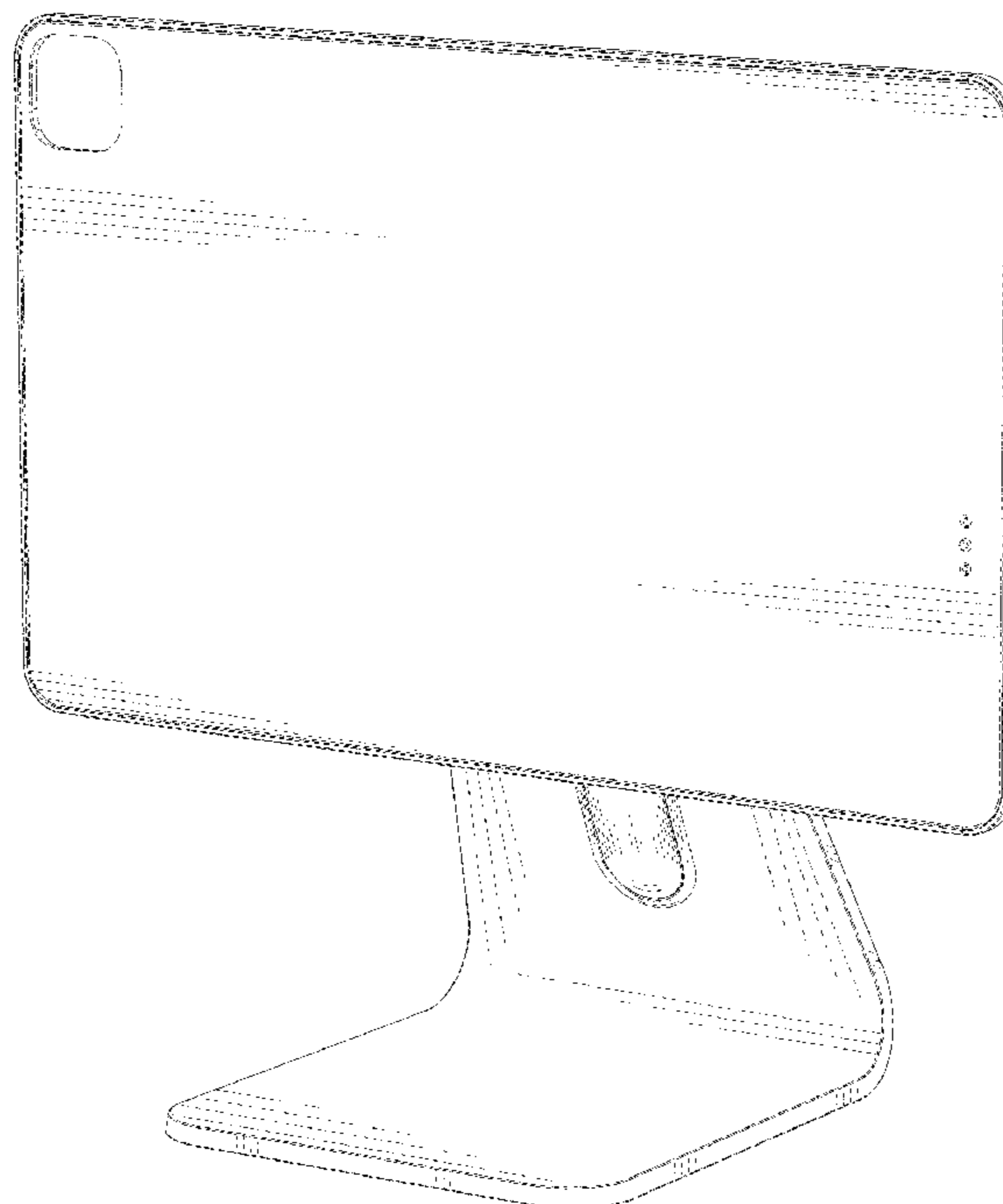
(57) **CLAIM**

The ornamental design for “tablet holder”, as shown and described.

**DESCRIPTION**

FIG. 1 is a front perspective view of a tablet holder showing my new design;  
FIG. 2 is a rear perspective view thereof;  
FIG. 3 is a front elevational view thereof;  
FIG. 4 is a rear elevational view thereof;  
FIG. 5 is a left elevational side view thereof;  
FIG. 6 is a right elevational side view thereof;  
FIG. 7 is a bottom plan view thereof;  
FIG. 8 is a top plan view thereof; and,  
FIG. 9 is a perspective view of the tablet holder showing a use state.  
The broken lines in the figures depict portions of the tablet holder that form no part of the claimed design.

**1 Claim, 9 Drawing Sheets**



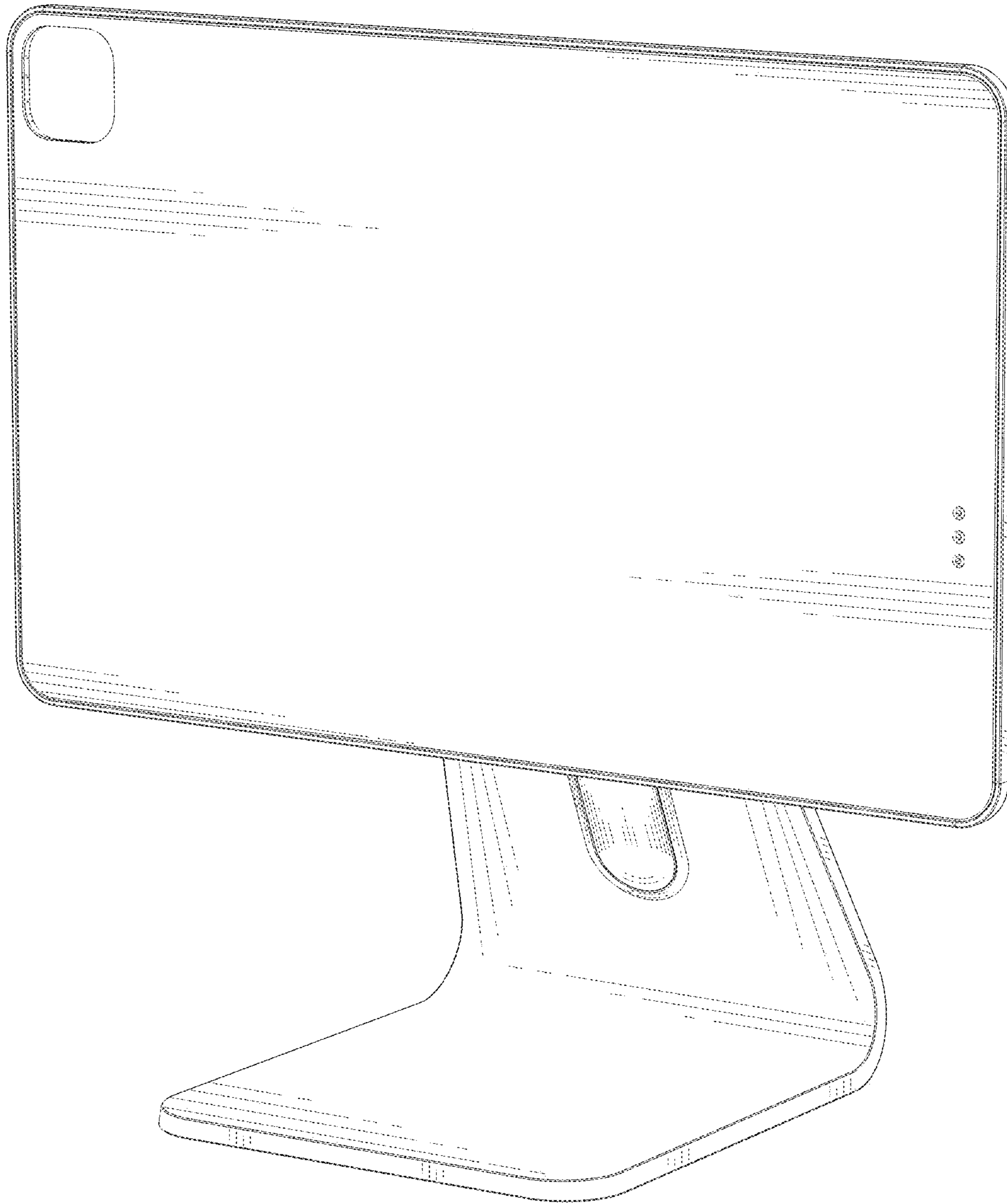


Fig. 1

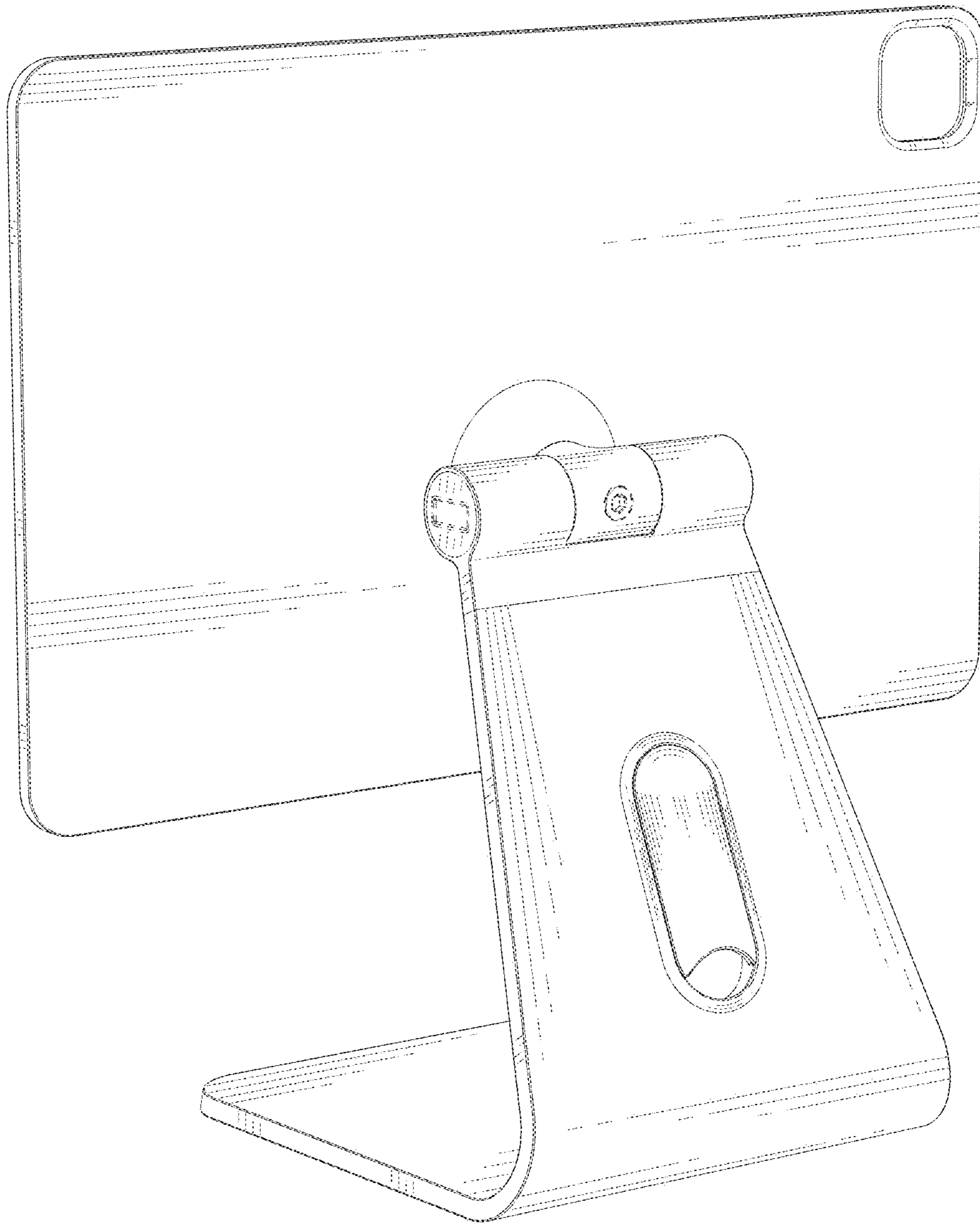


Fig. 2

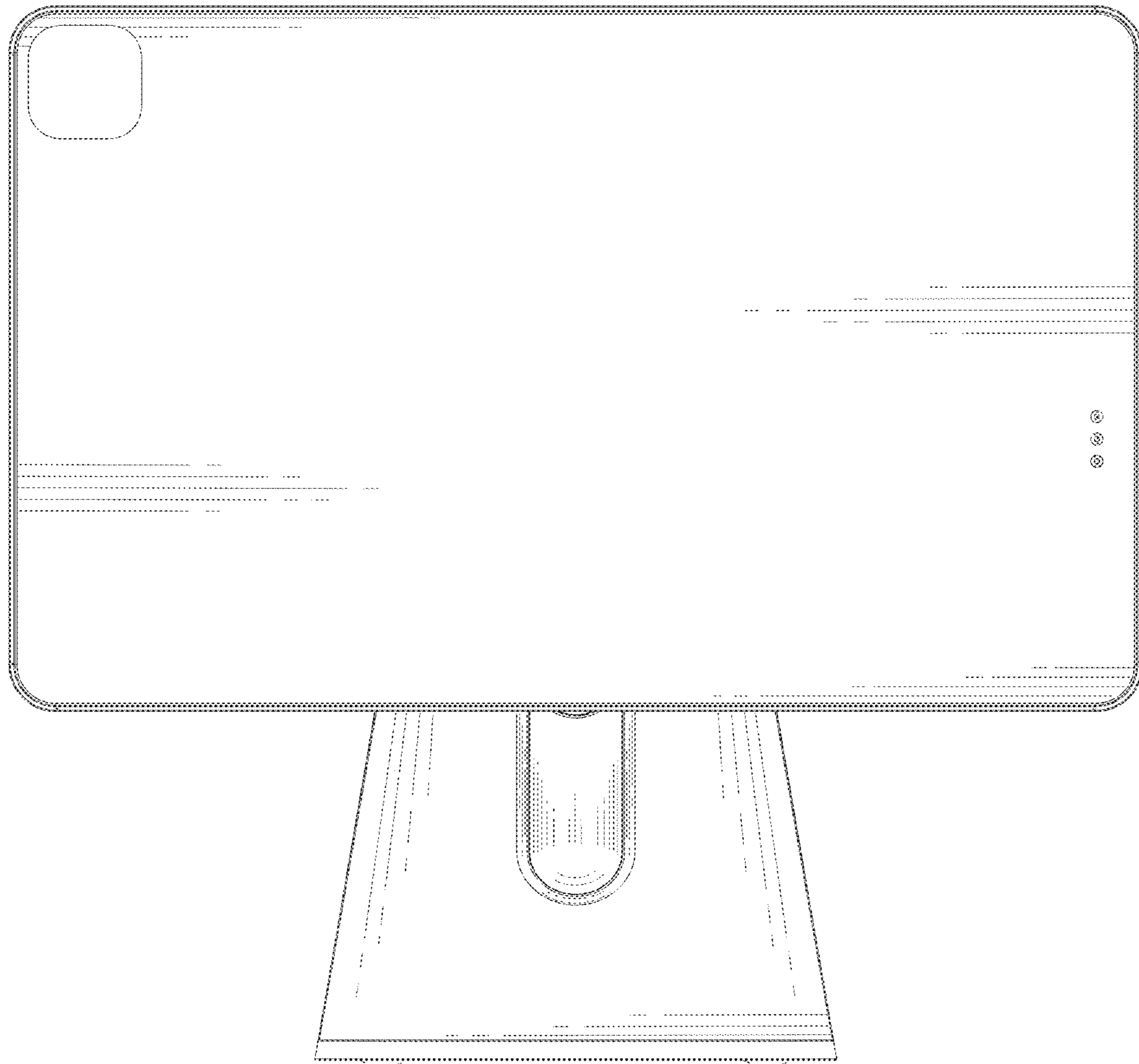


Fig. 3

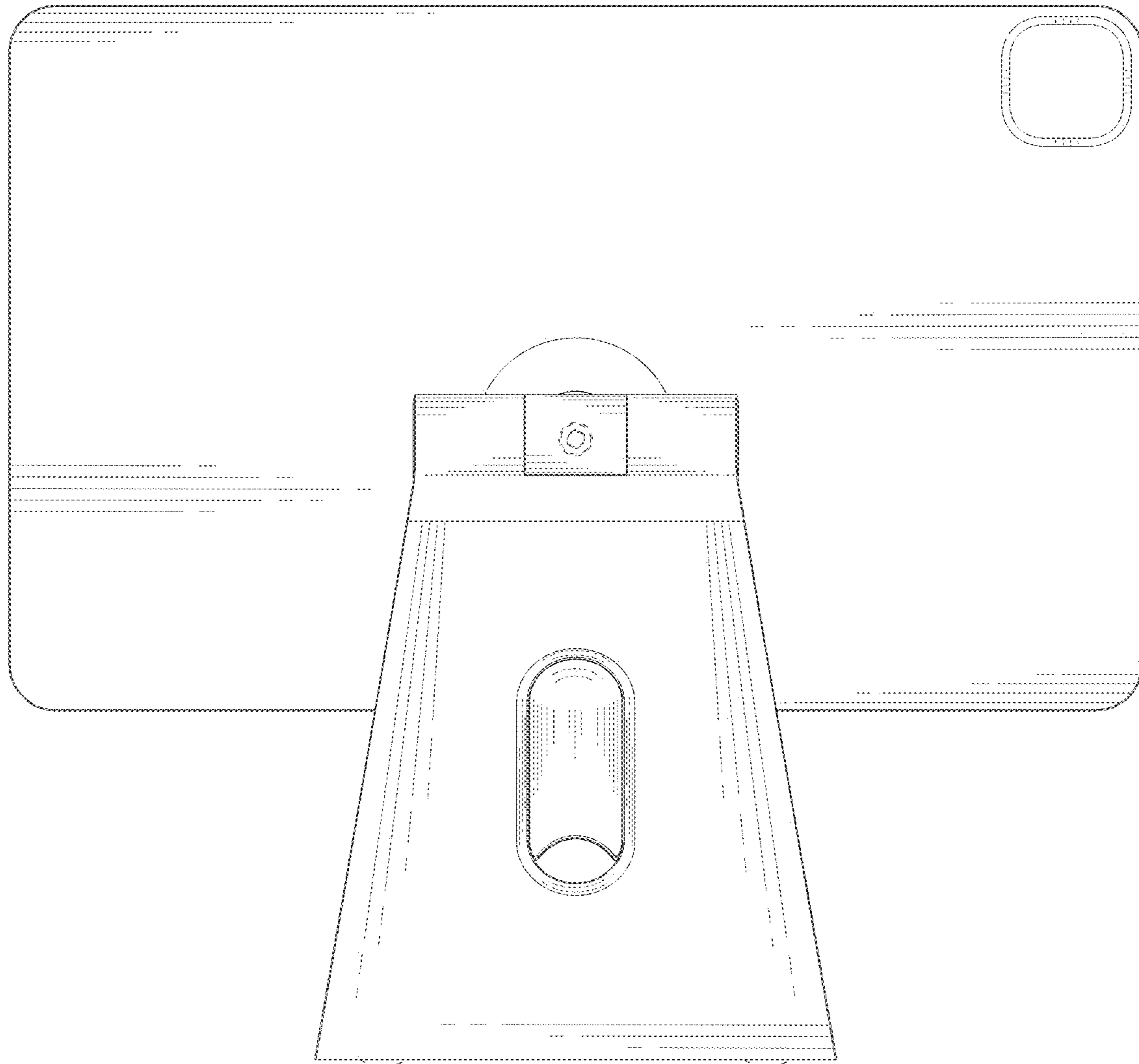


Fig.4

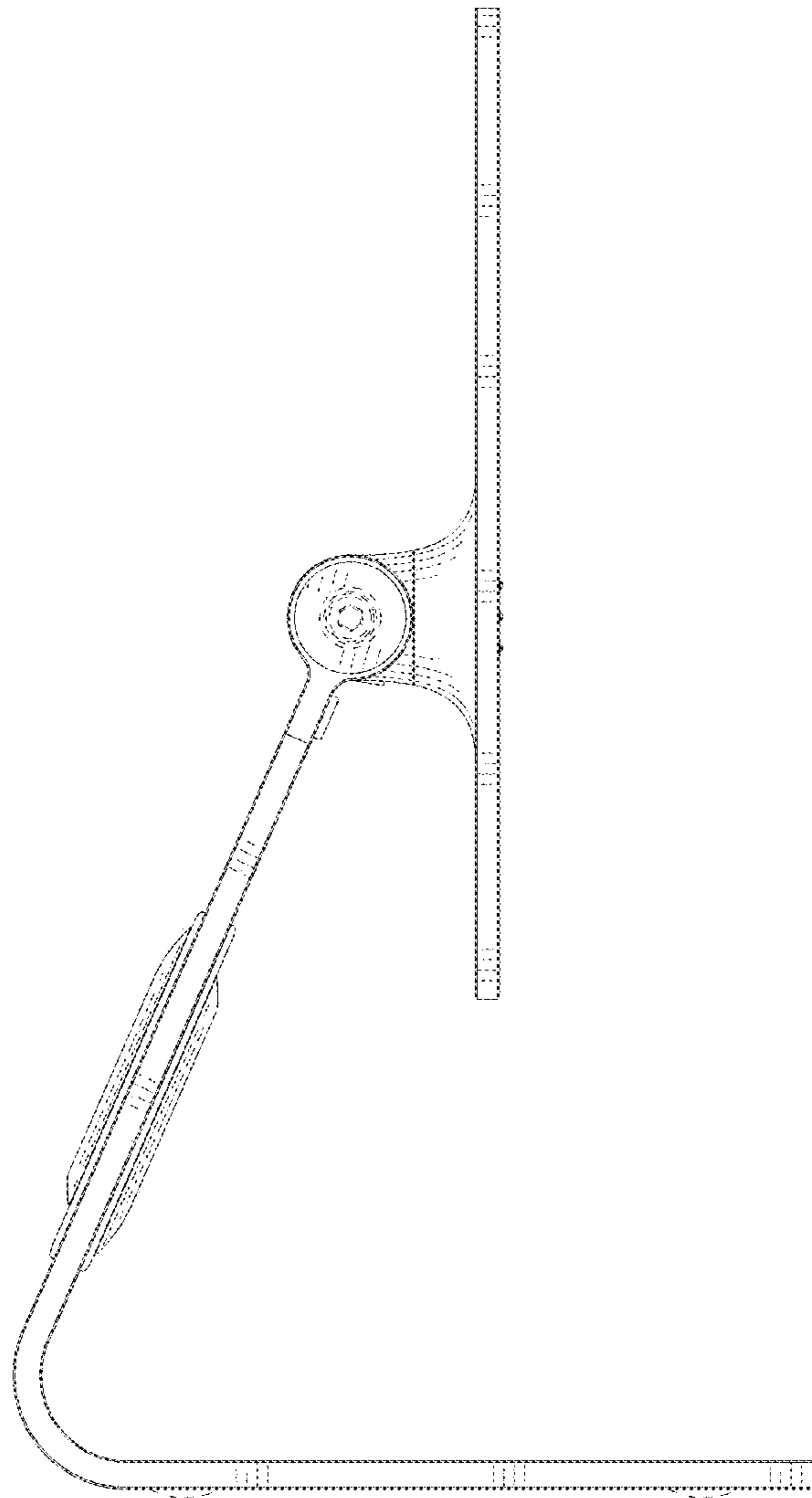


Fig. 5

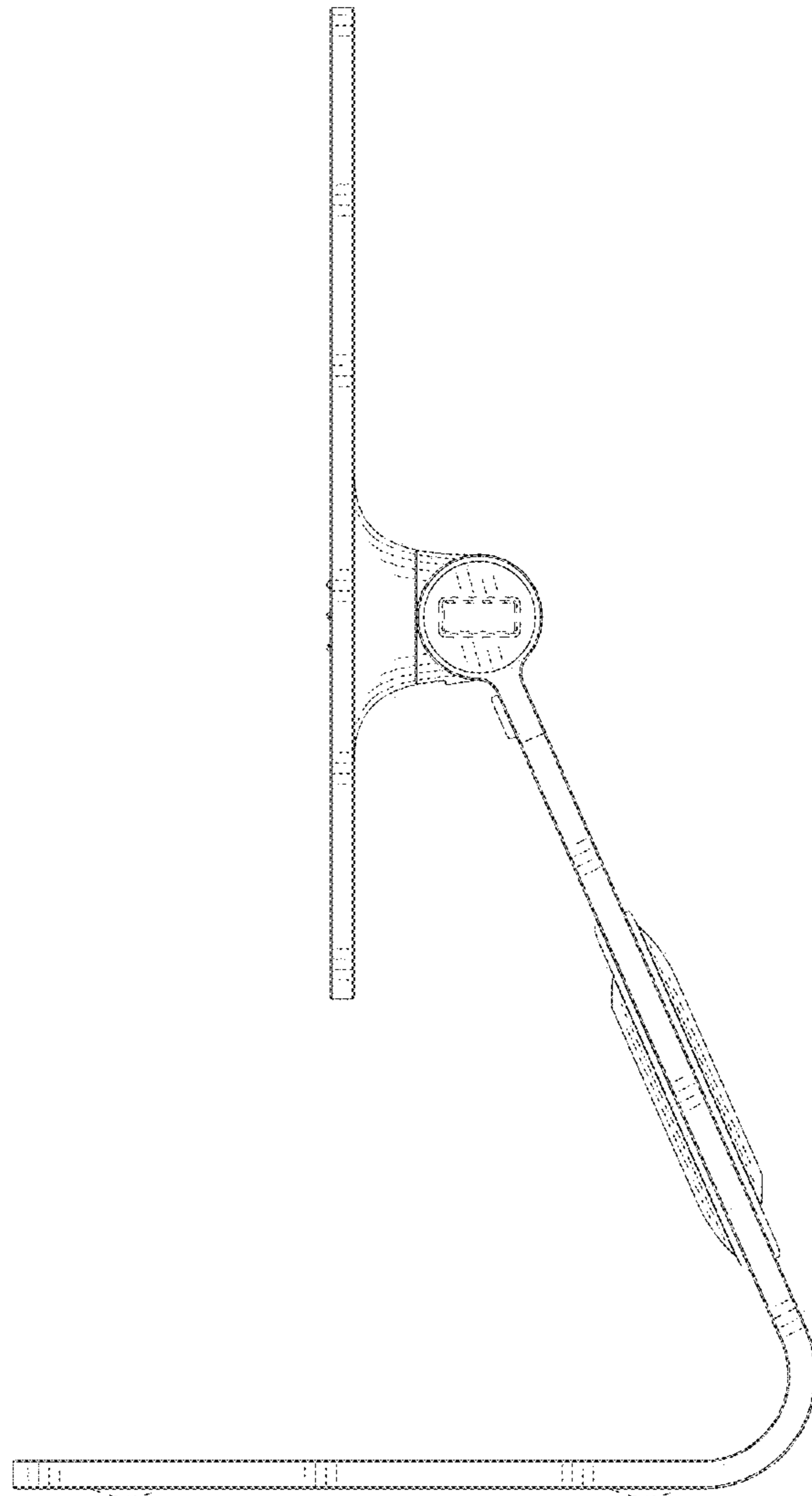


Fig. 6

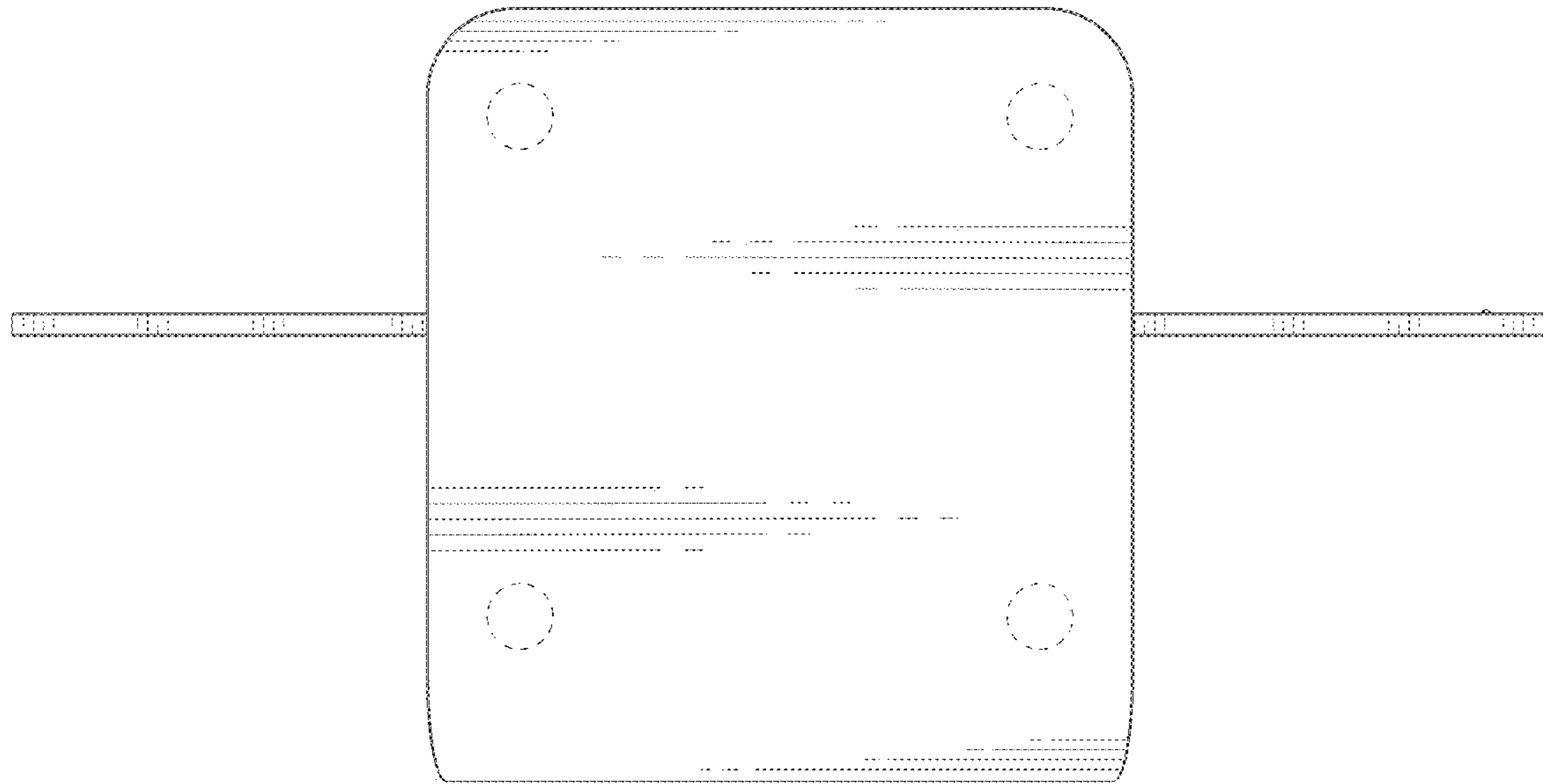


Fig. 7



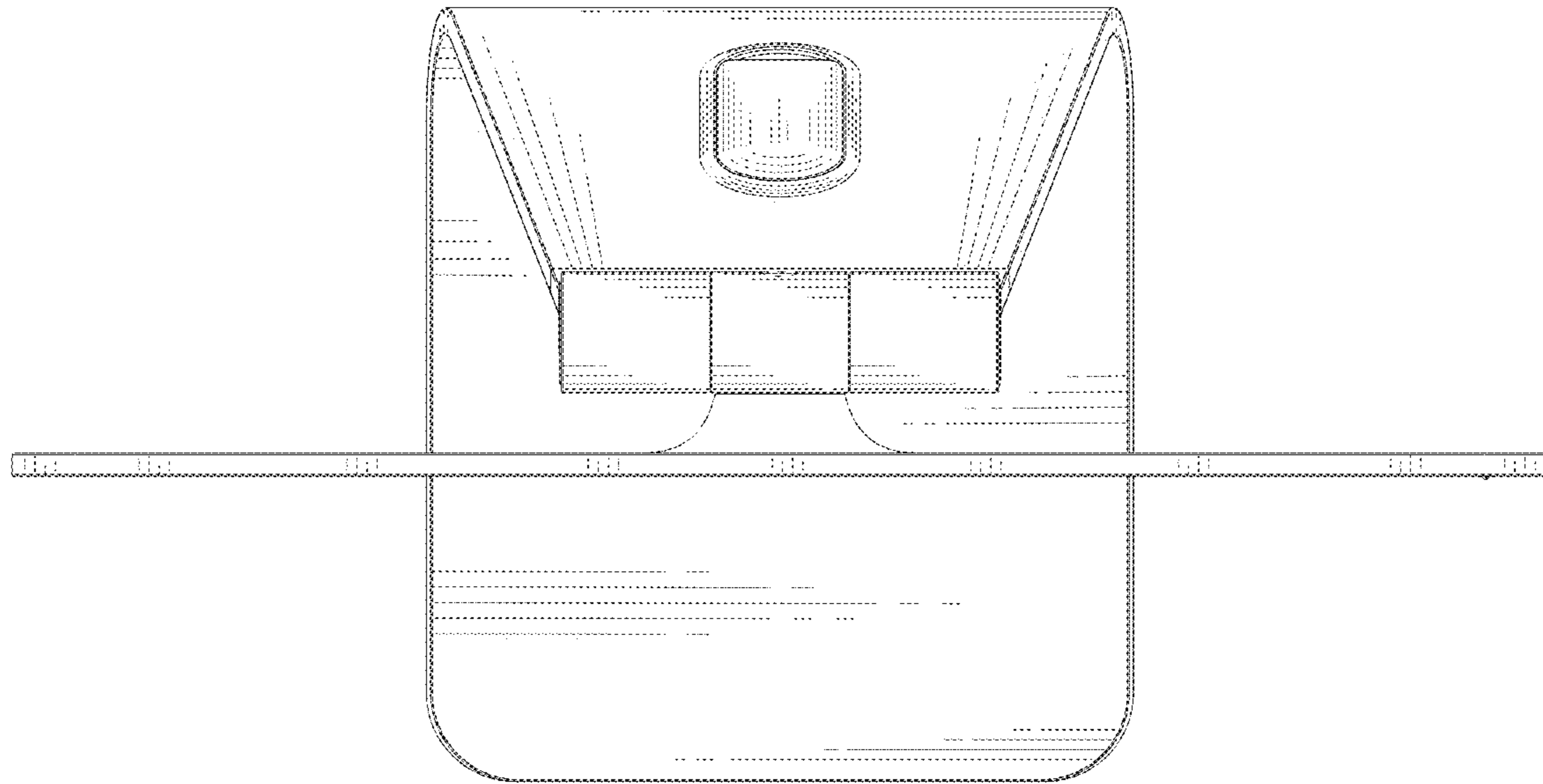


Fig. 8

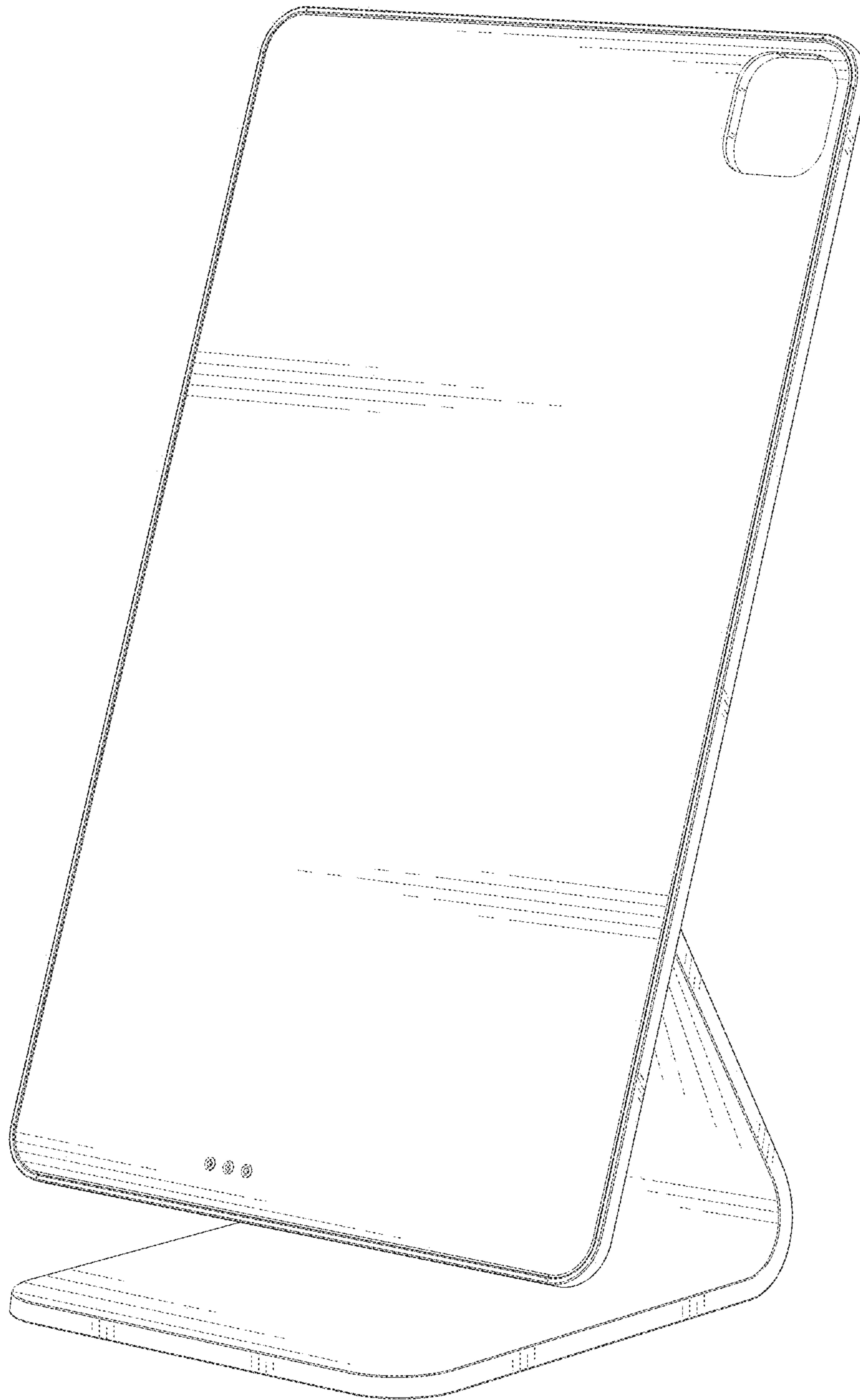


Fig. 9