



US00D945998S

(12) **United States Design Patent**
Han et al.

(10) **Patent No.:** **US D945,998 S**

(45) **Date of Patent:** **** Mar. 15, 2022**

(54) **MONITOR FOR COMPUTER**

(71) Applicant: **LG ELECTRONICS INC.**, Seoul (KR)

(72) Inventors: **Kyongtae Han**, Seoul (KR); **Daihyung Ryu**, Seoul (KR); **Hyeongyeol Kim**, Seoul (KR)

(73) Assignee: **LG ELECTRONICS INC.**, Seoul (KR)

(**) Term: **15 Years**

(21) Appl. No.: **35/511,039**

(22) Filed: **Nov. 25, 2020**

(80) **Hague Agreement Data**

Int. Filing Date: **Nov. 25, 2020**

Int. Reg. No.: **DM/211720**

Int. Reg. Date: **Nov. 25, 2020**

Int. Reg. Pub. Date: **Dec. 25, 2020**

(30) **Foreign Application Priority Data**

Jun. 23, 2020 (KR) 30-2020-0028470

(51) **LOC (13) Cl.** **14-02**

(52) **U.S. Cl.**
USPC **D14/375; D14/377**

(58) **Field of Classification Search**
USPC D14/126, 239, 336, 371-382, 448, 450, D14/451; D21/329, 332, 515; D6/310, D6/312

CPC G06F 1/16; G06F 1/1601; G06F 1/1637; H04N 5/64; H05K 5/0204; H05K 5/0004; H05K 5/0017; H05K 5/0217

See application file for complete search history.

(56) **References Cited**

U.S. PATENT DOCUMENTS

D726,666 S *	4/2015	Hwangbo	D14/126
D866,494 S *	11/2019	Kim	D14/126
D871,406 S *	12/2019	Kim	D14/374
D927,486 S *	8/2021	Ryu	D14/374

* cited by examiner

Primary Examiner — Keli L Hill

(74) *Attorney, Agent, or Firm* — Birch, Stewart, Kolasch & Birch, LLP

(57) **CLAIM**

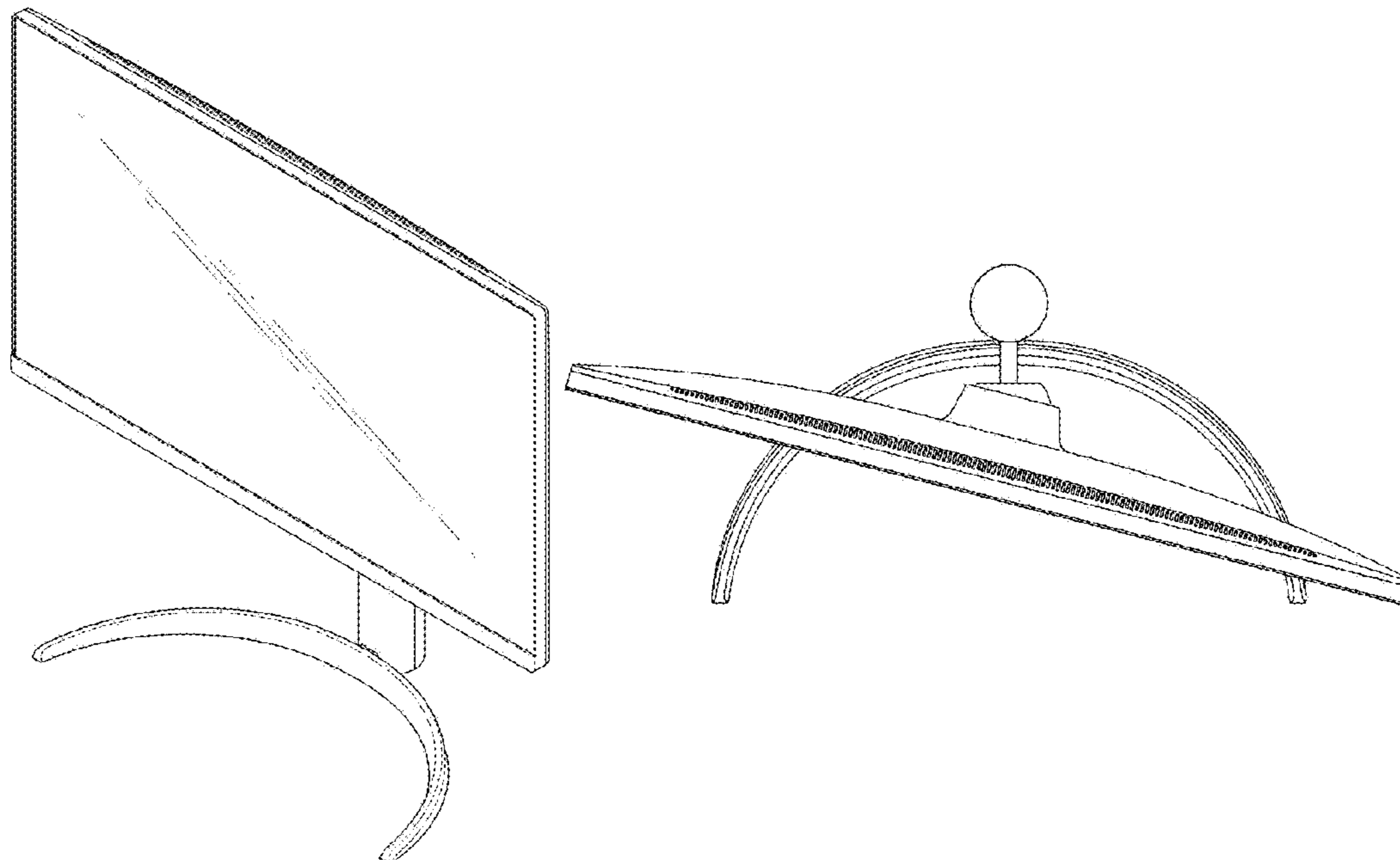
The ornamental design for a monitor for computer, as shown and described.

DESCRIPTION

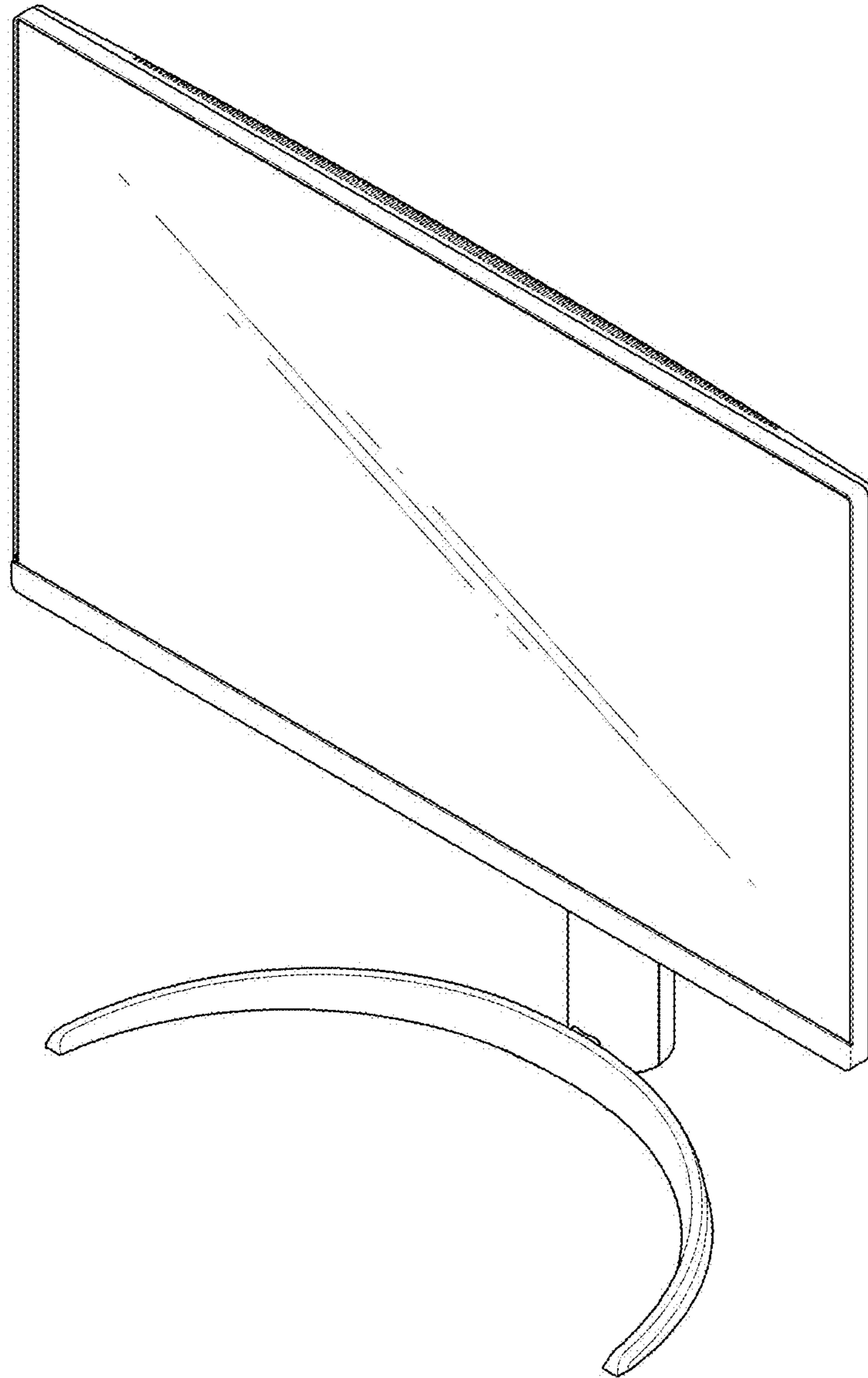
1. Monitor for computer
- 1.1 : Perspective
- 1.2 : Rear perspective view
- 1.3 : Front
- 1.4 : Back
- 1.5 : Left
- 1.6 : Right
- 1.7 : Top
- 1.8 : Bottom
- 1.9 : Reference
- 1.10 : Reference

The broken lines indicate portions of the article that form no part of the claimed design; reproductions 1.9 and 1.10 are reference views showing the display part is lowered and the display part is rotated, respectively.

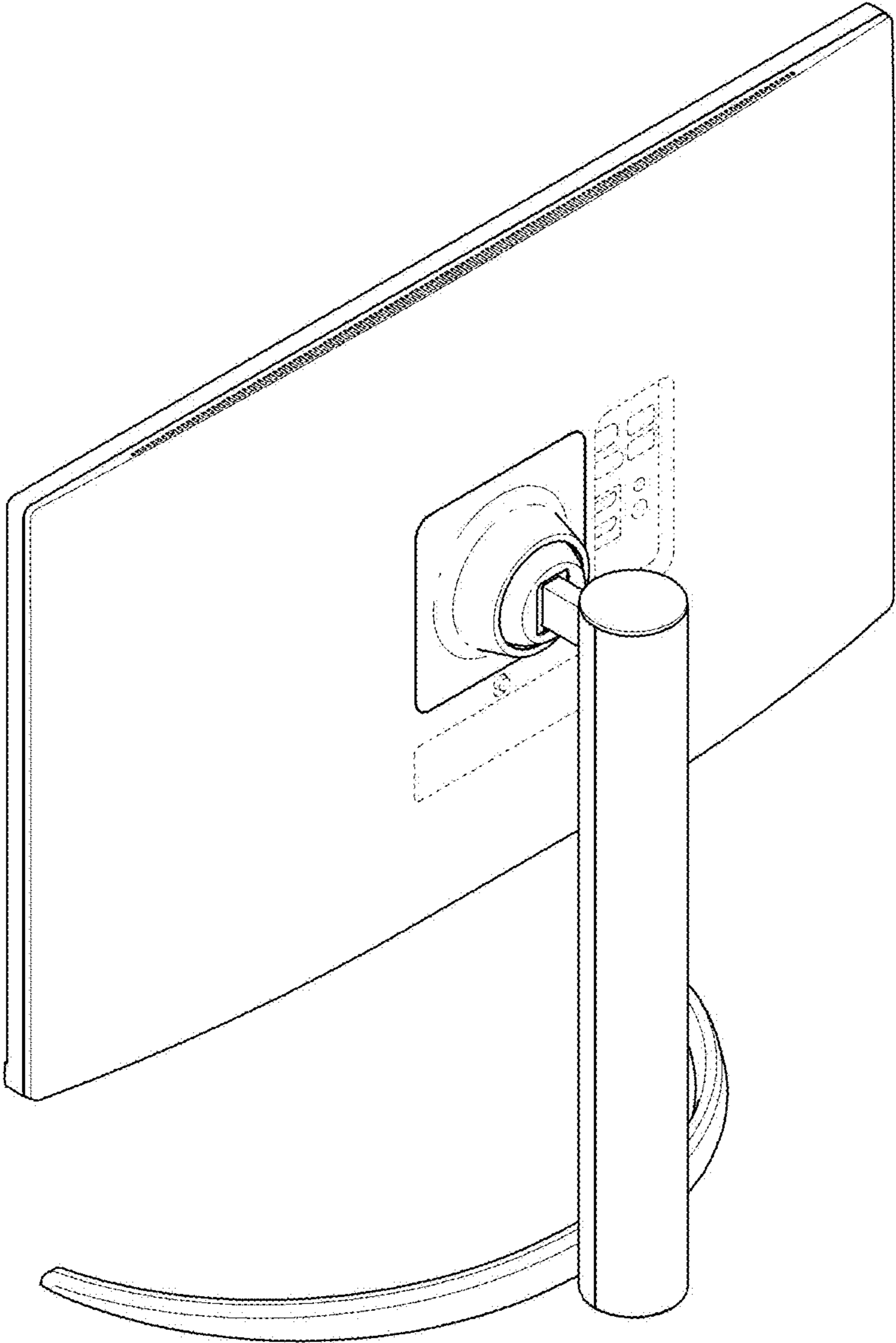
1 Claim, 10 Drawing Sheets



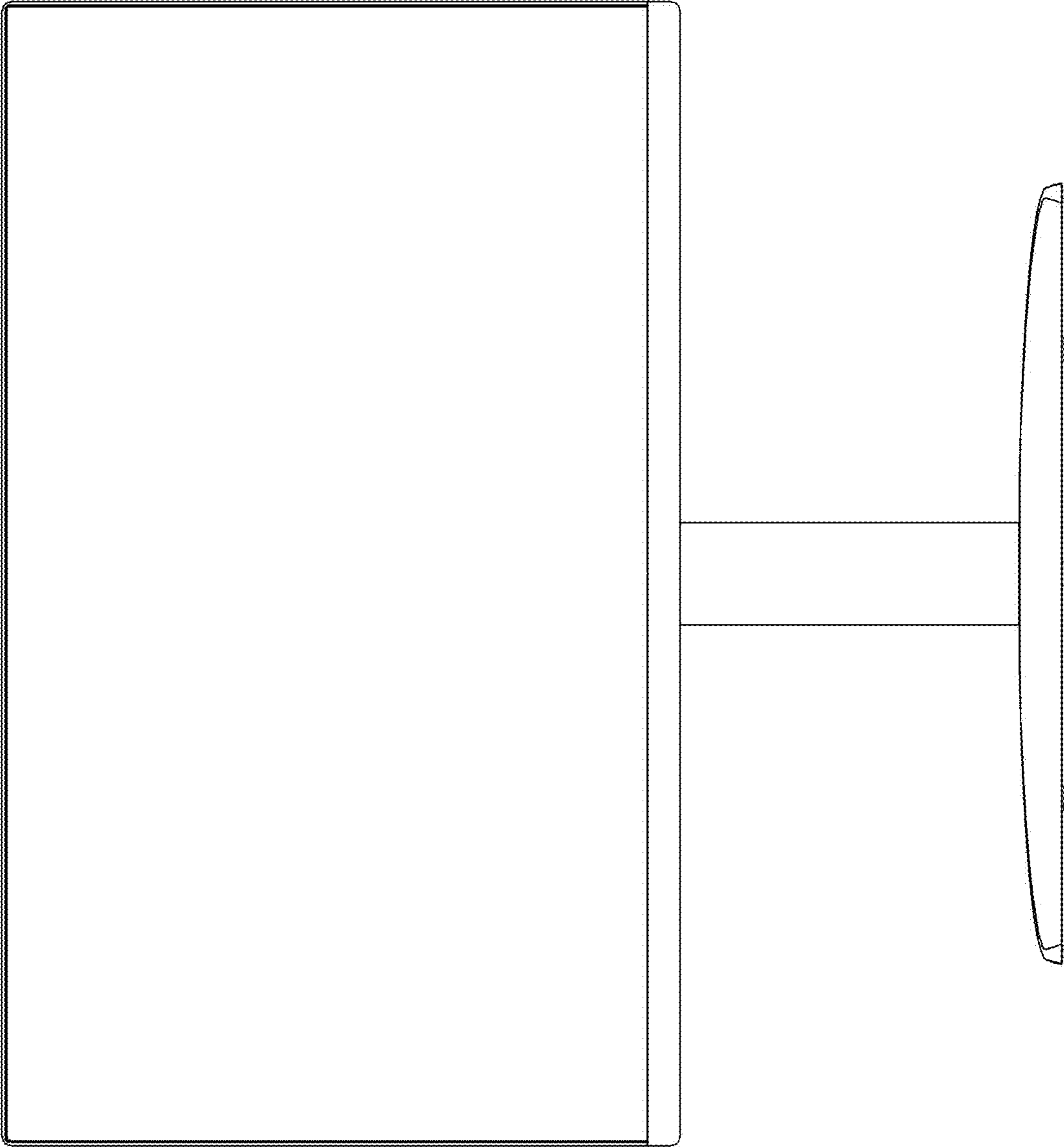
1.1



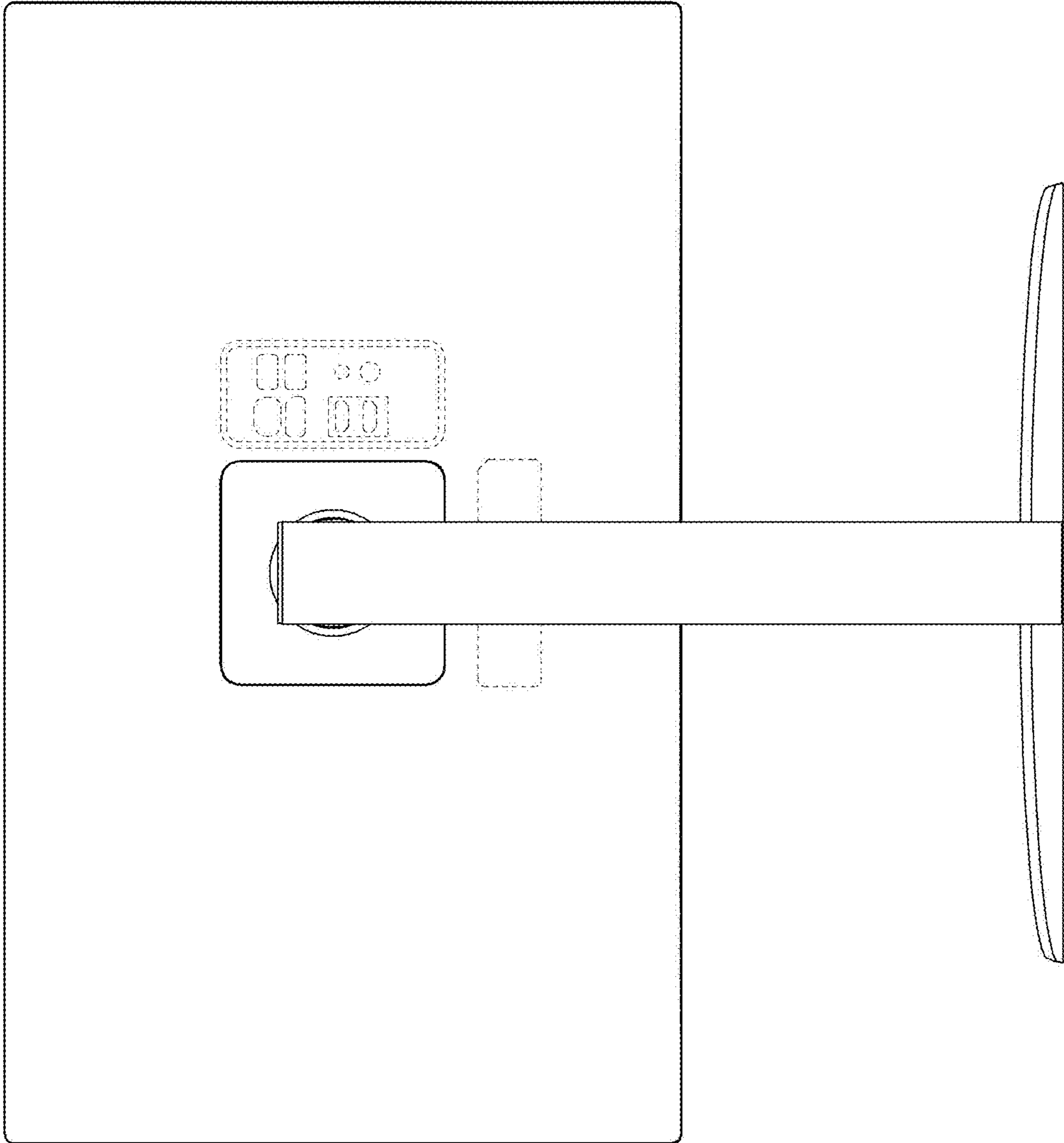
1.2



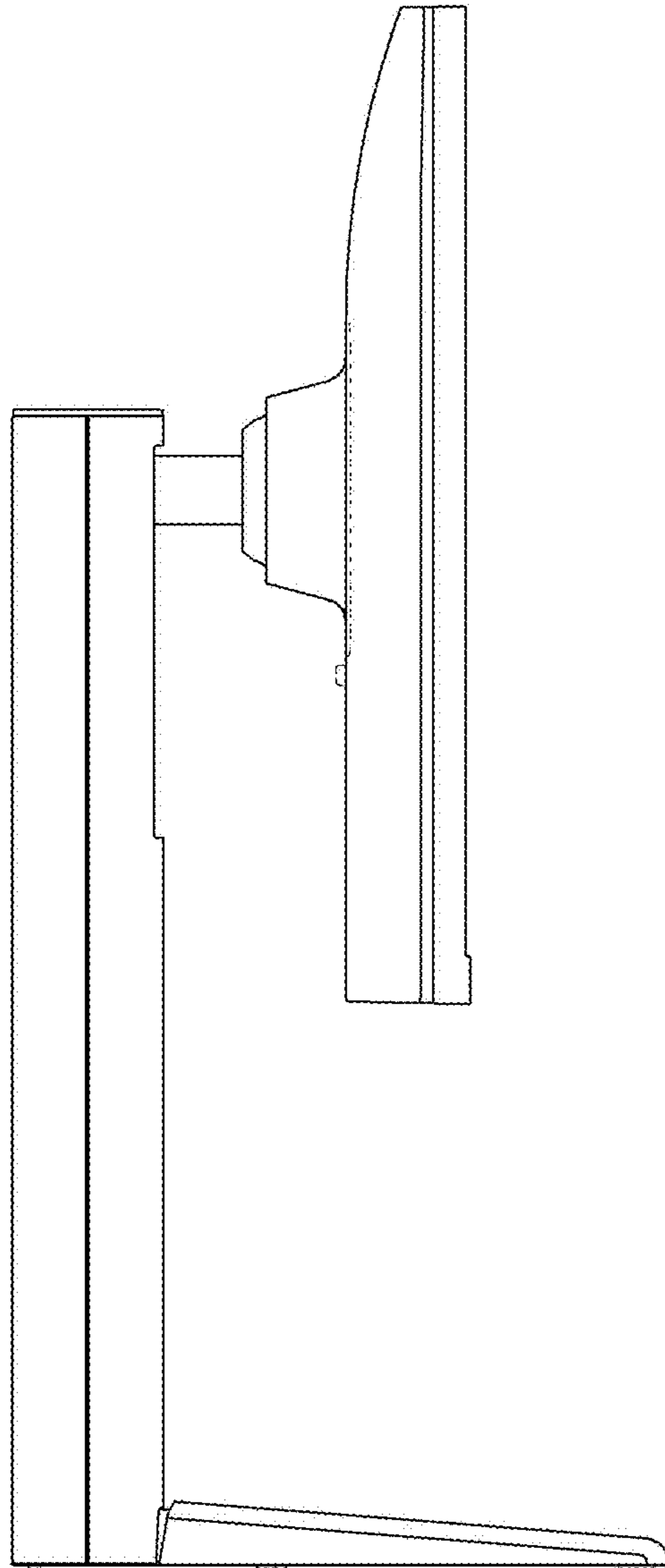
1.3



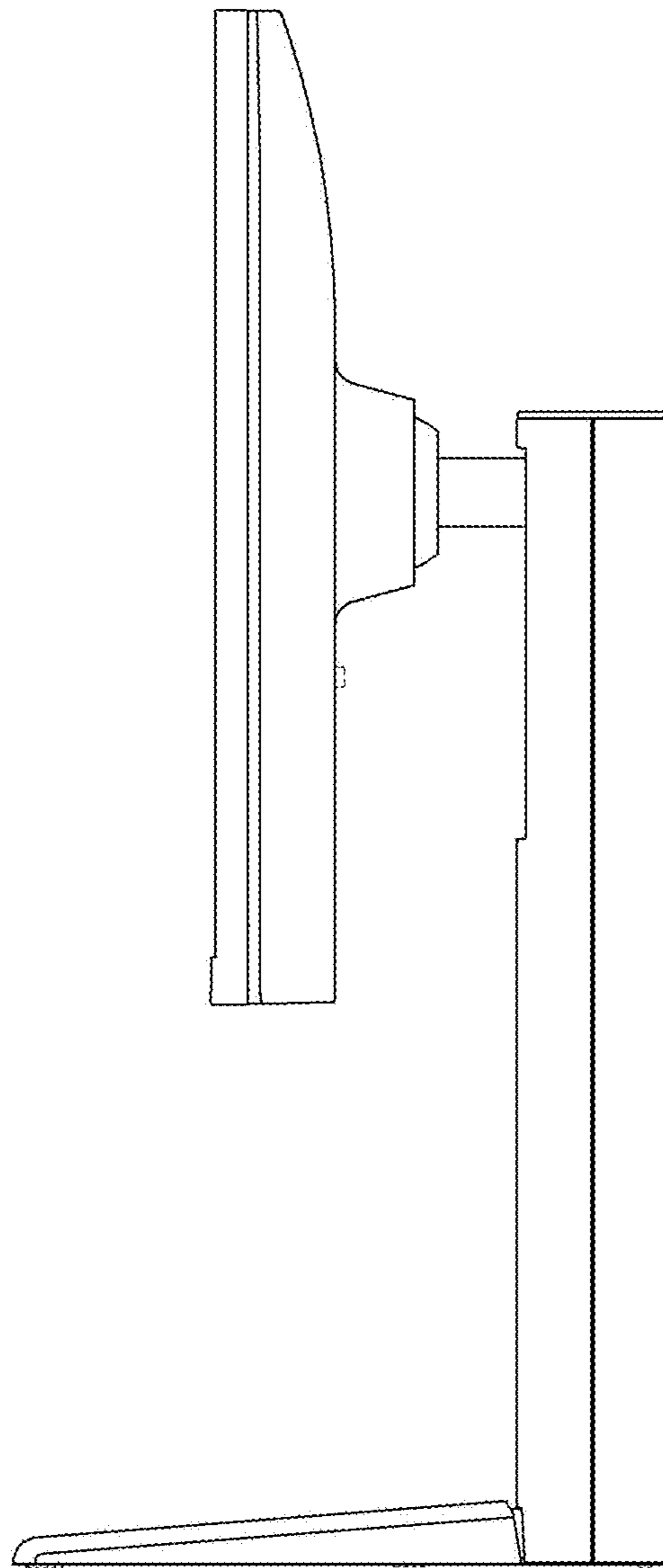
1.4

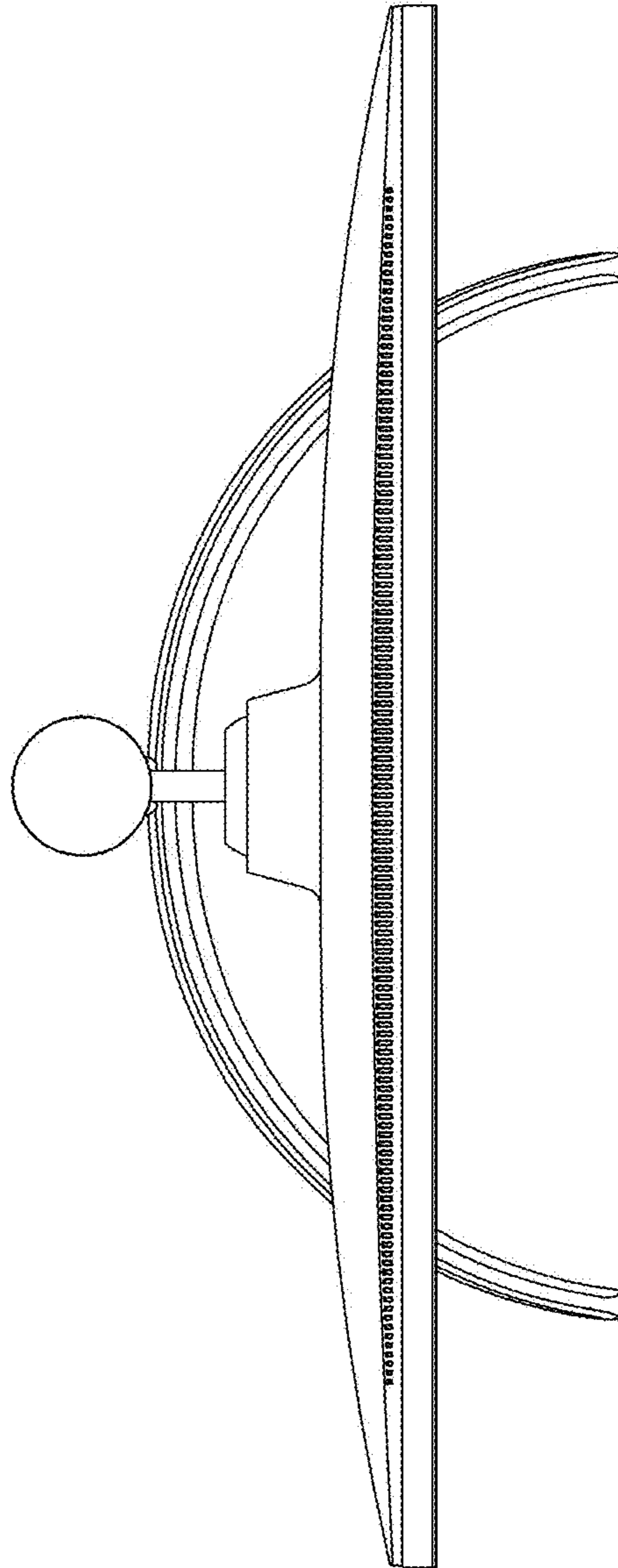


1.5

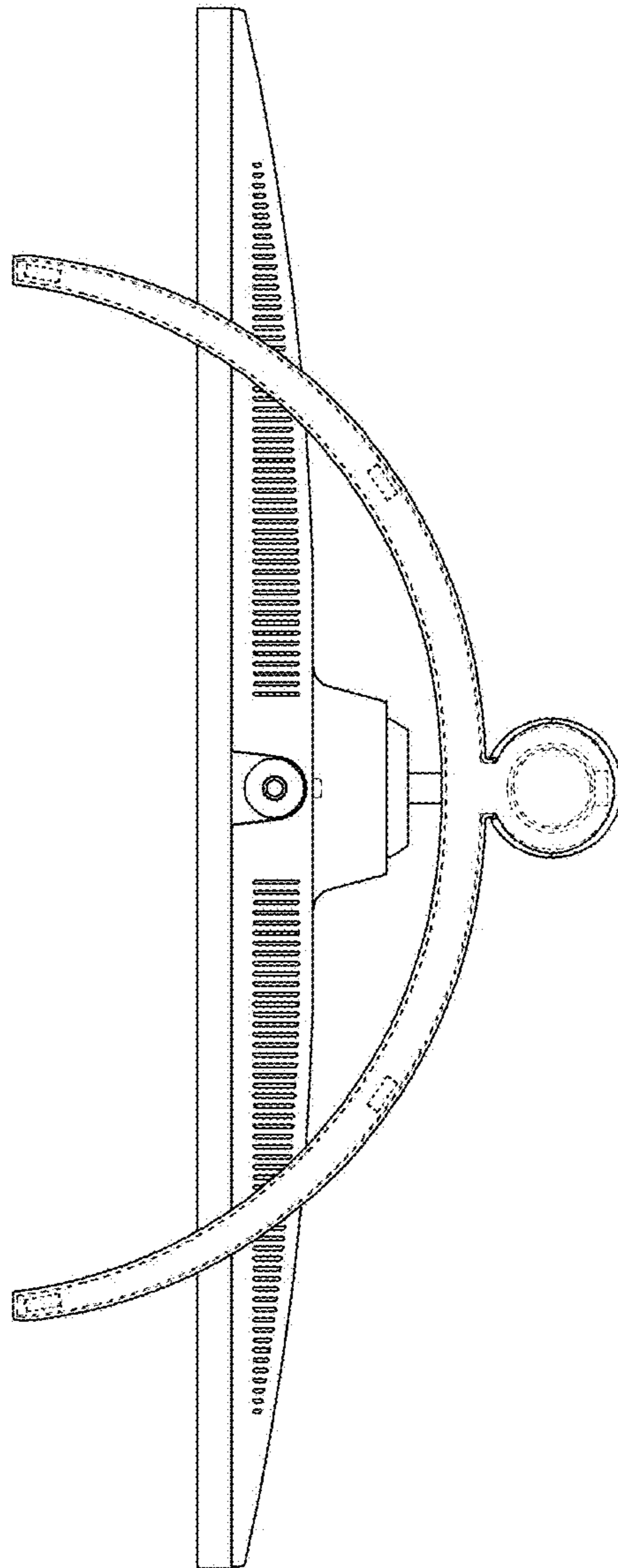


1.6



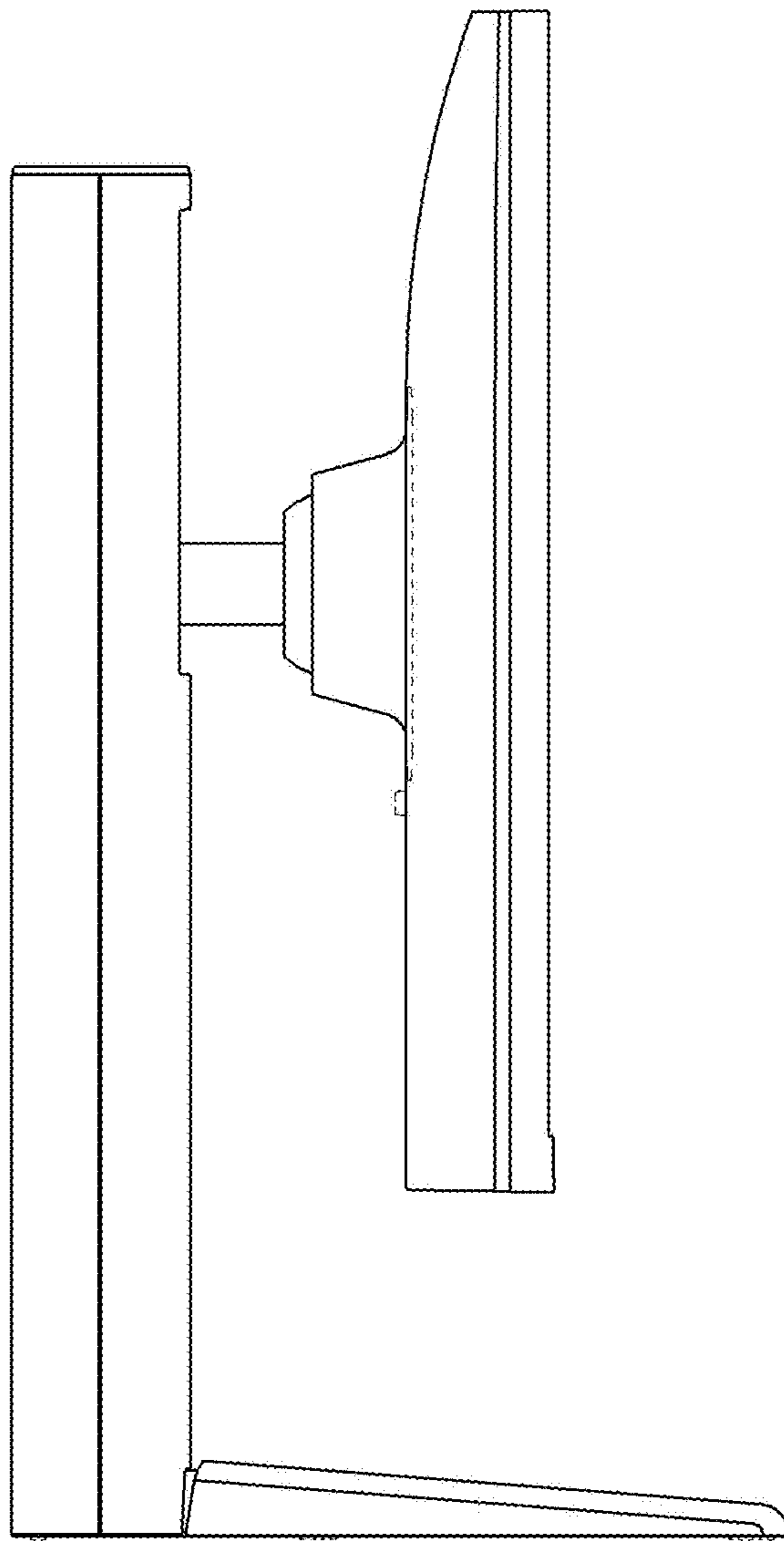


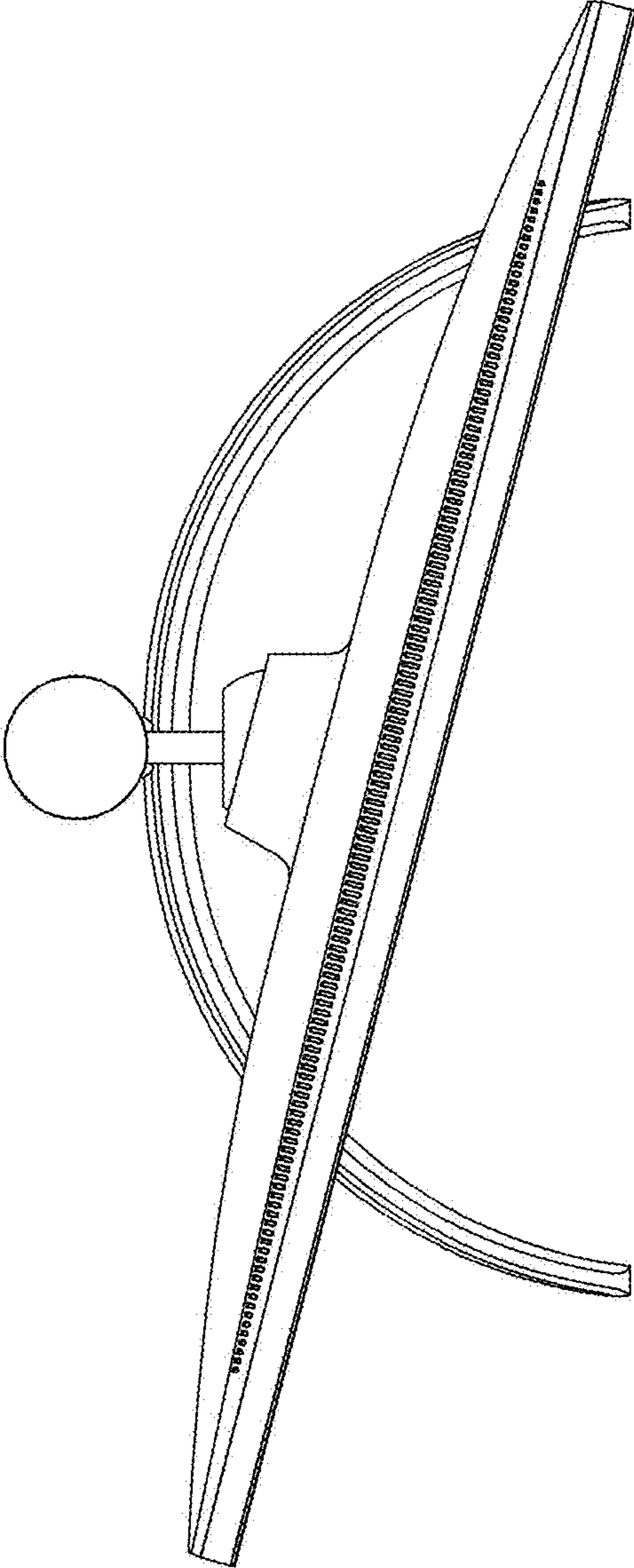
1.7



1.8

1.9





1.10