



US00D945997S

(12) **United States Design Patent**  
**Han et al.**

(10) **Patent No.:** **US D945,997 S**

(45) **Date of Patent:** **\*\* Mar. 15, 2022**

(54) **MONITOR FOR COMPUTER**

(71) Applicant: **LG ELECTRONICS INC.**, Seoul (KR)

(72) Inventors: **Kyongtae Han**, Seoul (KR); **Daihyung Ryu**, Seoul (KR); **Hyeongyeol Kim**, Seoul (KR)

(73) Assignee: **LG ELECTRONICS INC.**, Seoul (KR)

(\*\*) Term: **15 Years**

(21) Appl. No.: **35/511,030**

(22) Filed: **Nov. 25, 2020**

(80) **Hague Agreement Data**

Int. Filing Date: **Nov. 25, 2020**  
Int. Reg. No.: **DM/211770**  
Int. Reg. Date: **Nov. 25, 2020**  
Int. Reg. Pub. Date: **Dec. 25, 2020**

(30) **Foreign Application Priority Data**

Jun. 23, 2020 (KR) ..... 30-2020-0028474

(51) **LOC (13) Cl.** ..... **14-02**

(52) **U.S. Cl.**  
USPC ..... **D14/374**

(58) **Field of Classification Search**  
USPC ..... D14/126, 239, 336, 371-382, 448, 450,  
D14/451; D21/329, 332, 515; D6/310,  
D6/312

CPC ..... G06F 1/16; G06F 1/1601; G06F 1/1637;  
H04N 5/64; H05K 5/0204; H05K 5/0004;  
H05K 5/0017; H05K 5/0217

See application file for complete search history.

(56) **References Cited**

U.S. PATENT DOCUMENTS

D726,666 S *	4/2015	Hwangbo	.....	D14/126
D785,622 S *	5/2017	Kim	.....	D14/374
D786,868 S *	5/2017	Kim	.....	D14/374
D865,698 S *	11/2019	Seong	.....	D14/126
D888,680 S *	6/2020	Kim	.....	D14/126
D888,681 S *	6/2020	Kim	.....	D14/126
D895,617 S *	9/2020	Little	.....	D14/374

\* cited by examiner

*Primary Examiner* — Keli L Hill

(74) *Attorney, Agent, or Firm* — Birch, Stewart, Kolasch & Birch, LLP

(57) **CLAIM**

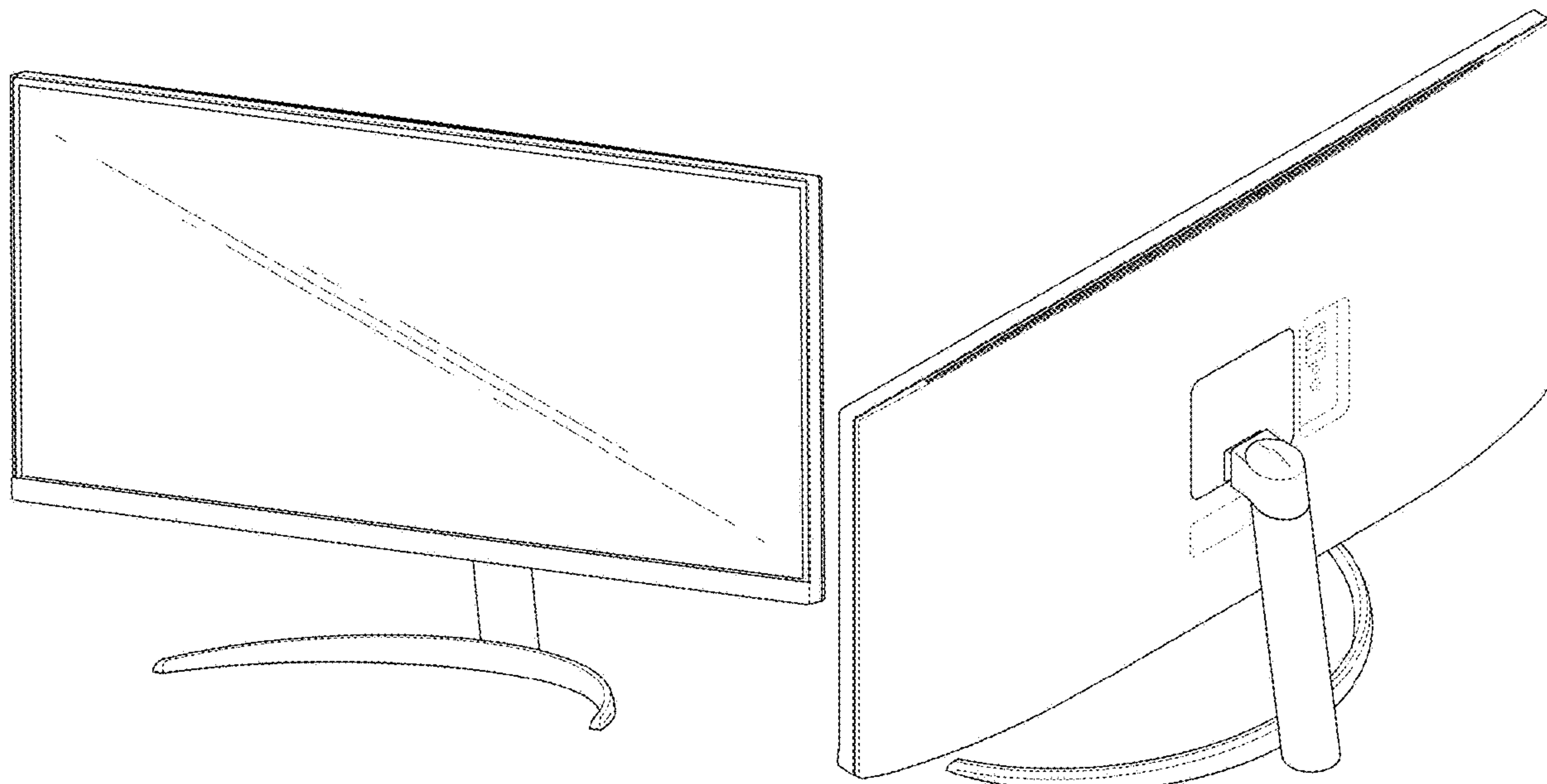
The ornamental design for a monitor for computer, as shown and described.

**DESCRIPTION**

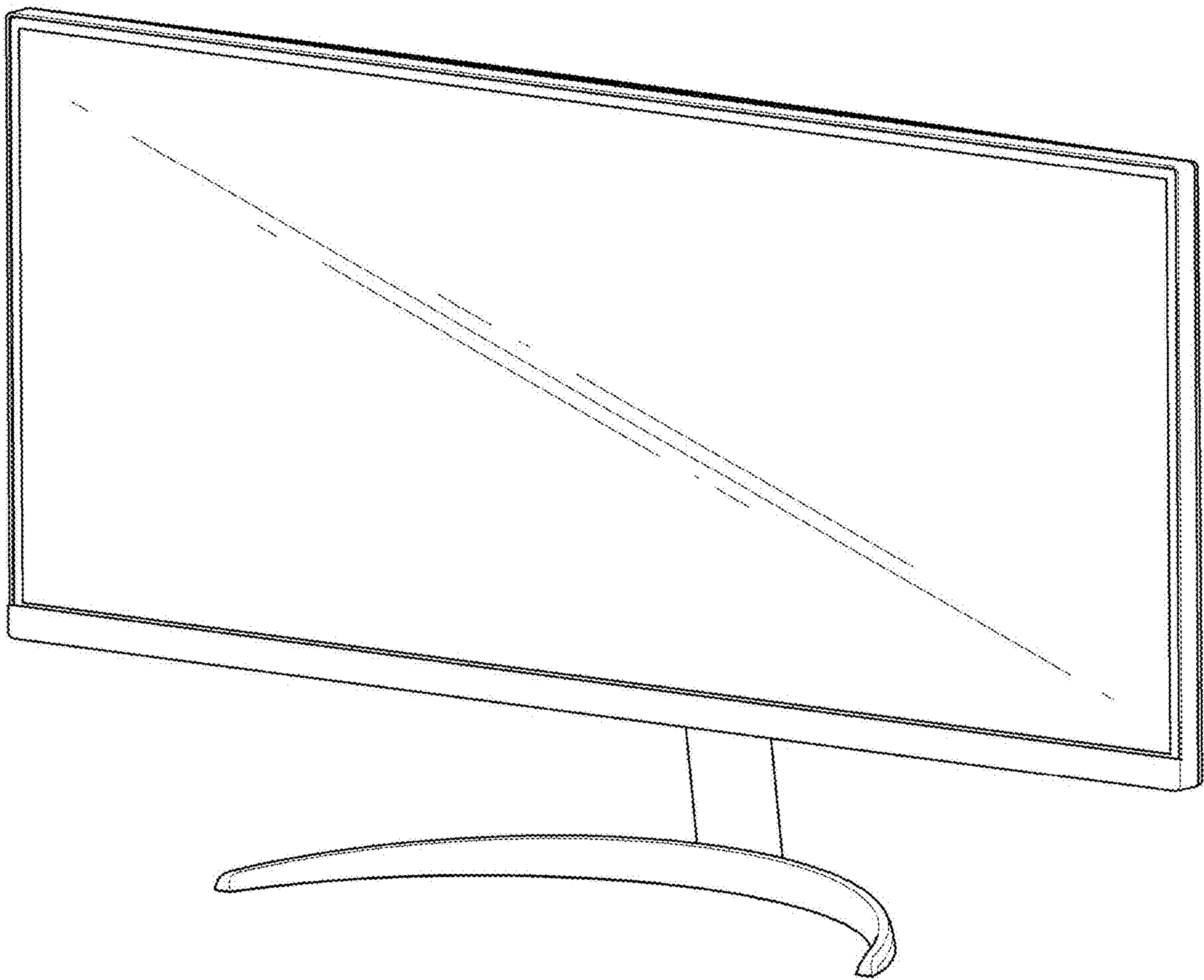
- 1. Monitor for computer
- 1.1 : Perspective
- 1.2 : Rear perspective view
- 1.3 : Front
- 1.4 : Back
- 1.5 : Left
- 1.6 : Right
- 1.7 : Top
- 1.8 : Bottom

The broken lines indicate portions of the article that form no part of the claimed design.

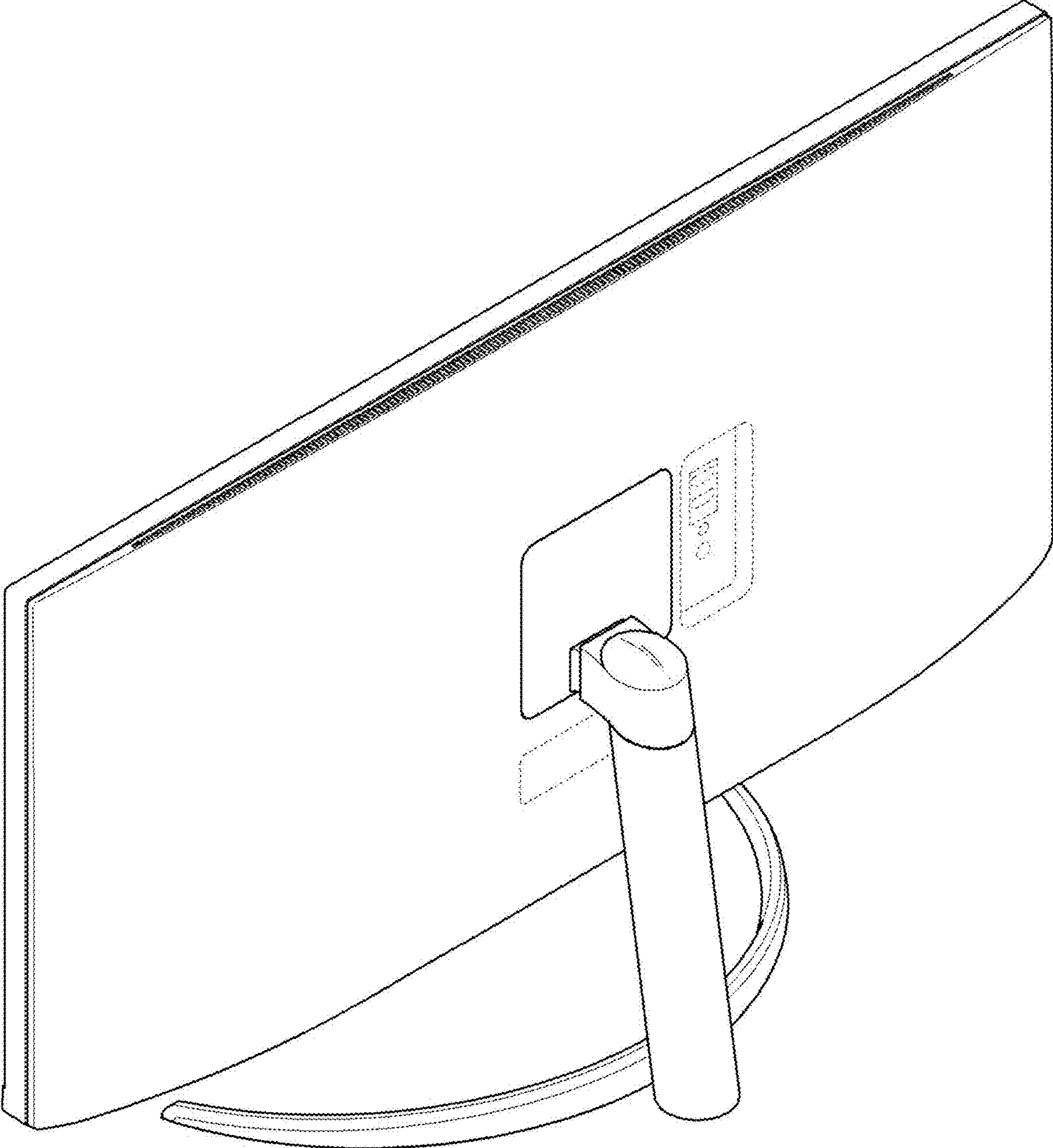
**1 Claim, 8 Drawing Sheets**



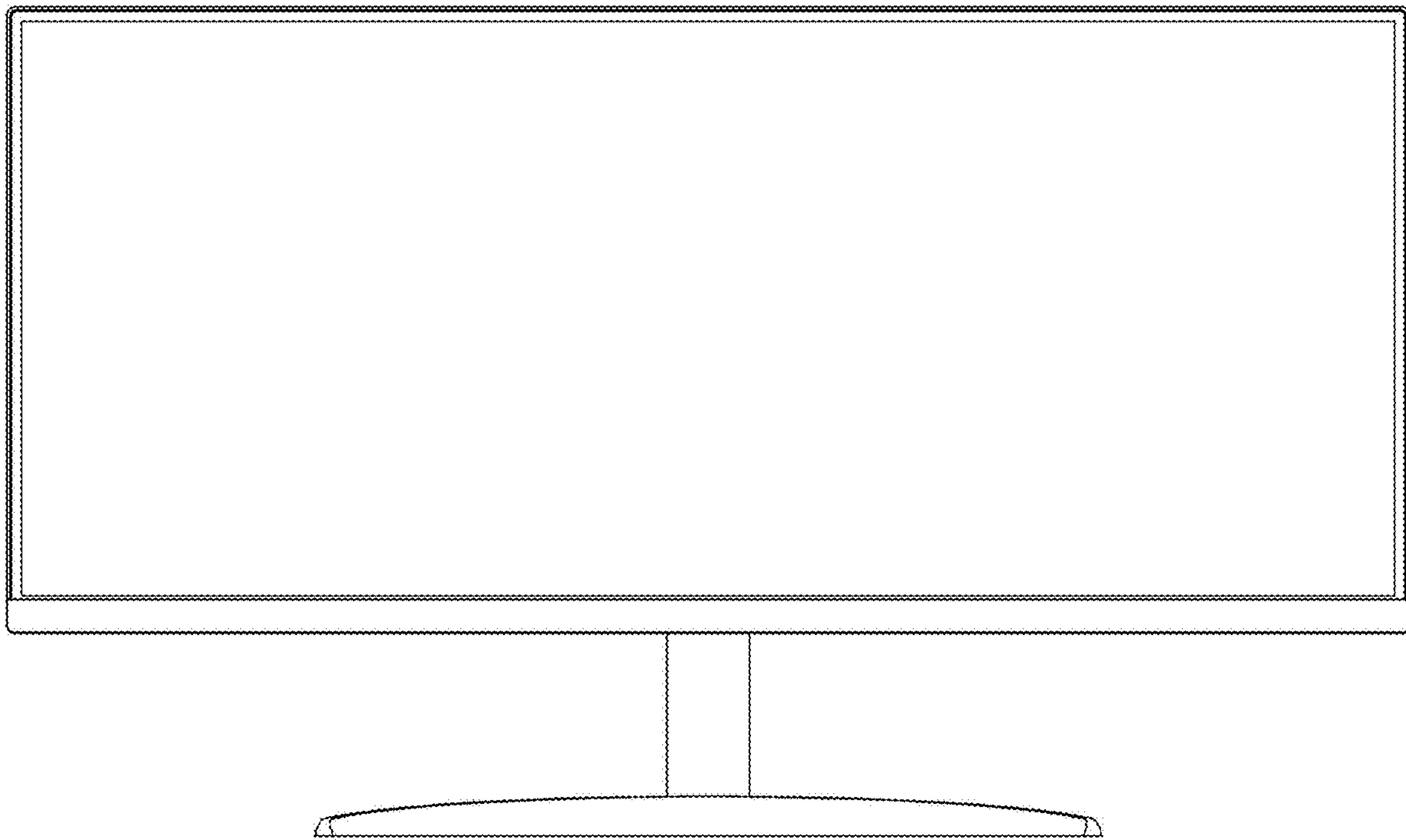
1.1



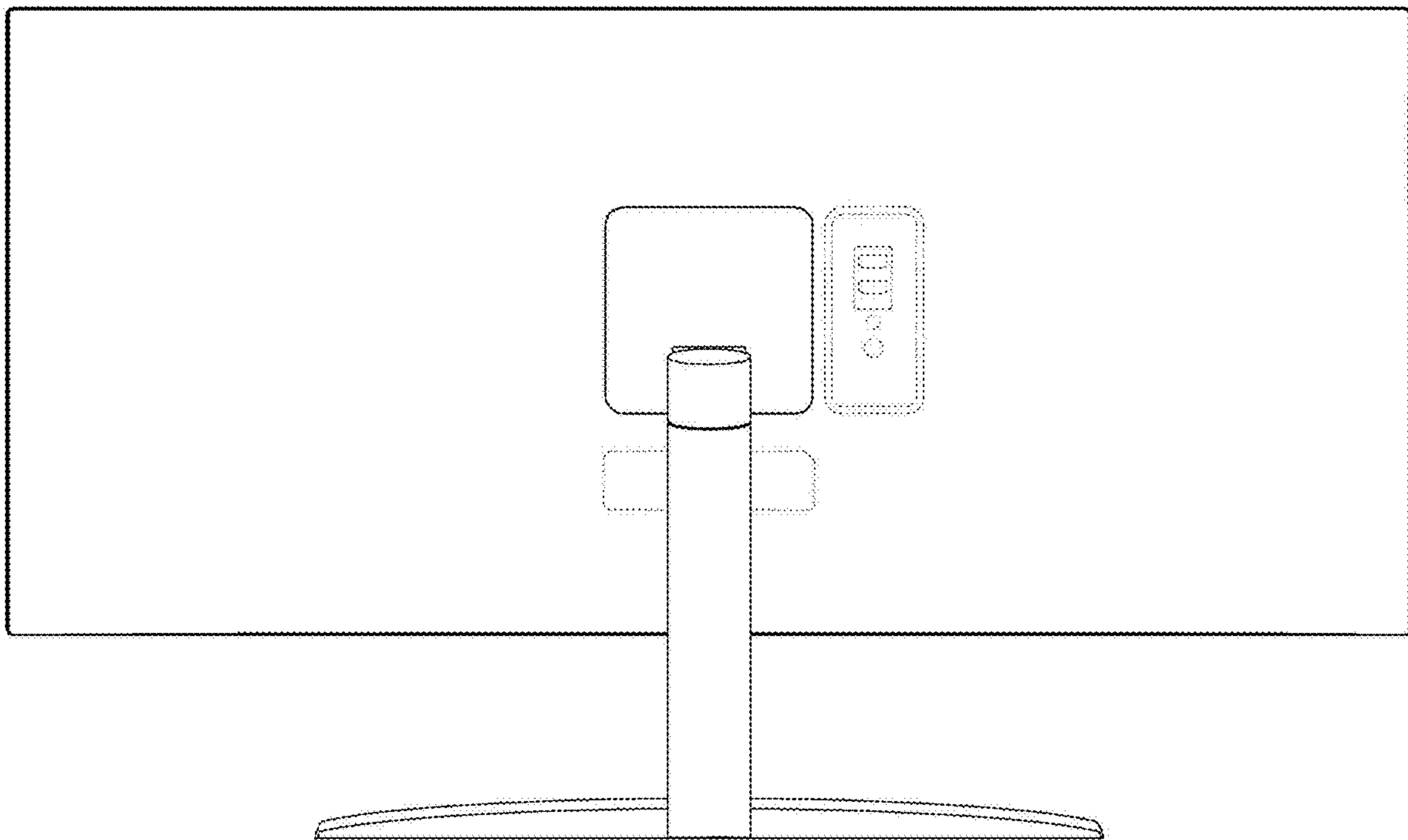
1.2



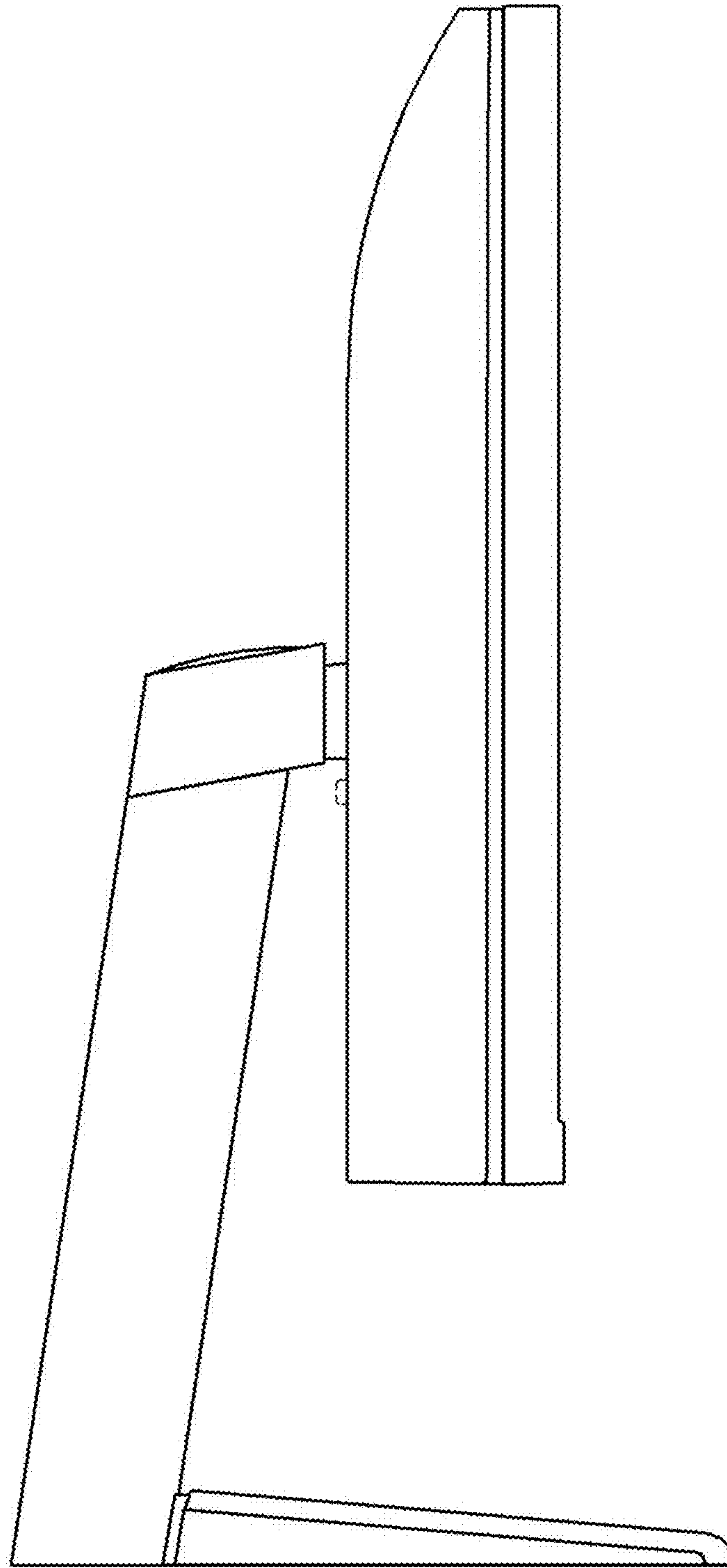
1.3



1.4

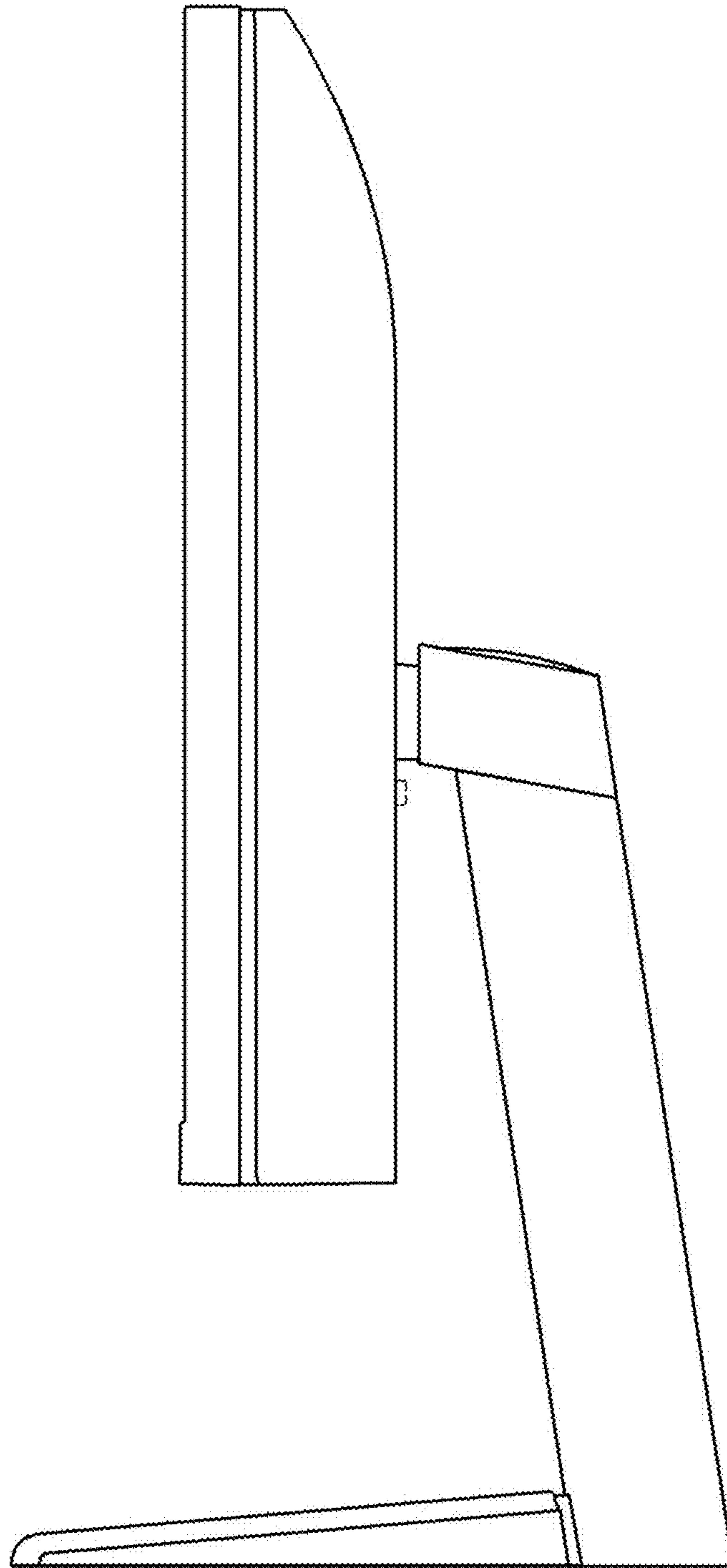


1.5

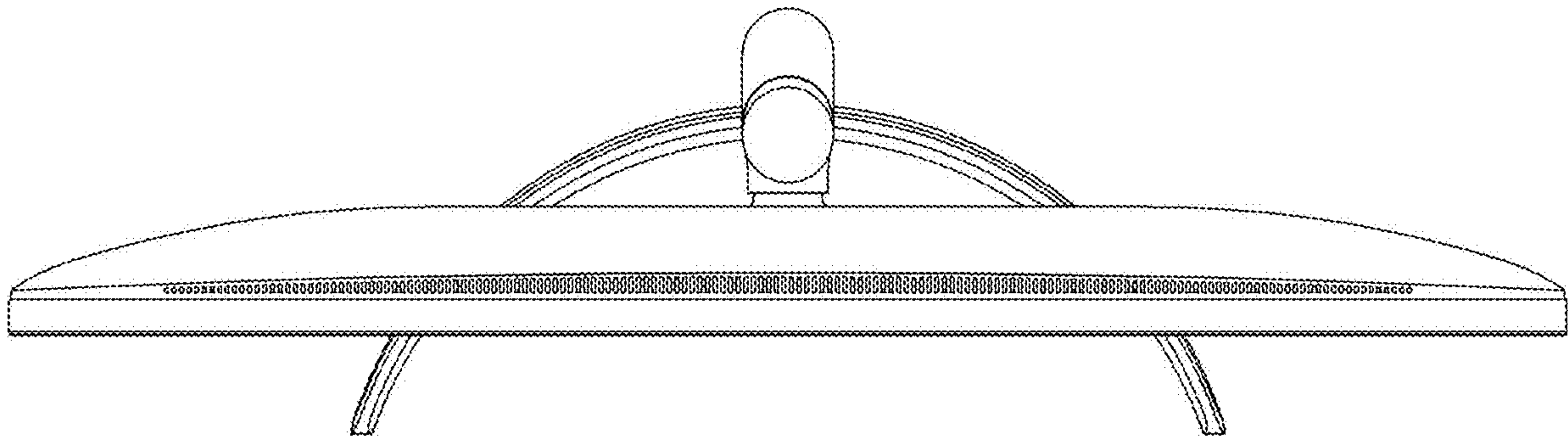




1.6



1.7





1.8

