



US00D945996S

(12) **United States Design Patent**
Wang

(10) **Patent No.:** **US D945,996 S**

(45) **Date of Patent:** **** Mar. 15, 2022**

(54) **HEAD-MOUNTED DISPLAY**

(71) Applicant: **TAIWAN MAIN ORTHOPAEDIC BIOTECHNOLOGY CO., LTD.**,
Taichung (TW)

(72) Inventor: **Min-Liang Wang**, Taichung (TW)

(73) Assignee: **TAIWAN MAIN ORTHOPAEDIC BIOTECHNOLOGY CO., LTD.**,
Taichung (TW)

(**) Term: **15 Years**

(21) Appl. No.: **29/749,792**

(22) Filed: **Sep. 9, 2020**

(51) **LOC (13) Cl.** **14-02**

(52) **U.S. Cl.**
USPC **D14/372**

(58) **Field of Classification Search**
USPC D14/372, 496, 432, 371, 125, 126, 129,
D14/299; D16/300-342; 351/158, 153,
351/144; 345/7-9, 905; 455/344;
348/115, 53, 121, 739
CPC G02B 27/017; G02B 27/0158; G02B
27/0161; G02B 27/0181; G02B 27/0185;
G02B 27/0189
See application file for complete search history.

(56) **References Cited**

U.S. PATENT DOCUMENTS

D807,357 S * 1/2018 Wu D14/372
D859,403 S * 9/2019 Reed D14/372

D872,079 S * 1/2020 Huang D14/372
D874,459 S * 2/2020 Limaye D14/372
D880,476 S * 4/2020 Chen D14/372
D881,881 S * 4/2020 Reed D14/372
D890,170 S * 7/2020 Hu D14/372

* cited by examiner

Primary Examiner — Austin Murphy

(74) *Attorney, Agent, or Firm* — Michael Best & Friedrich LLP

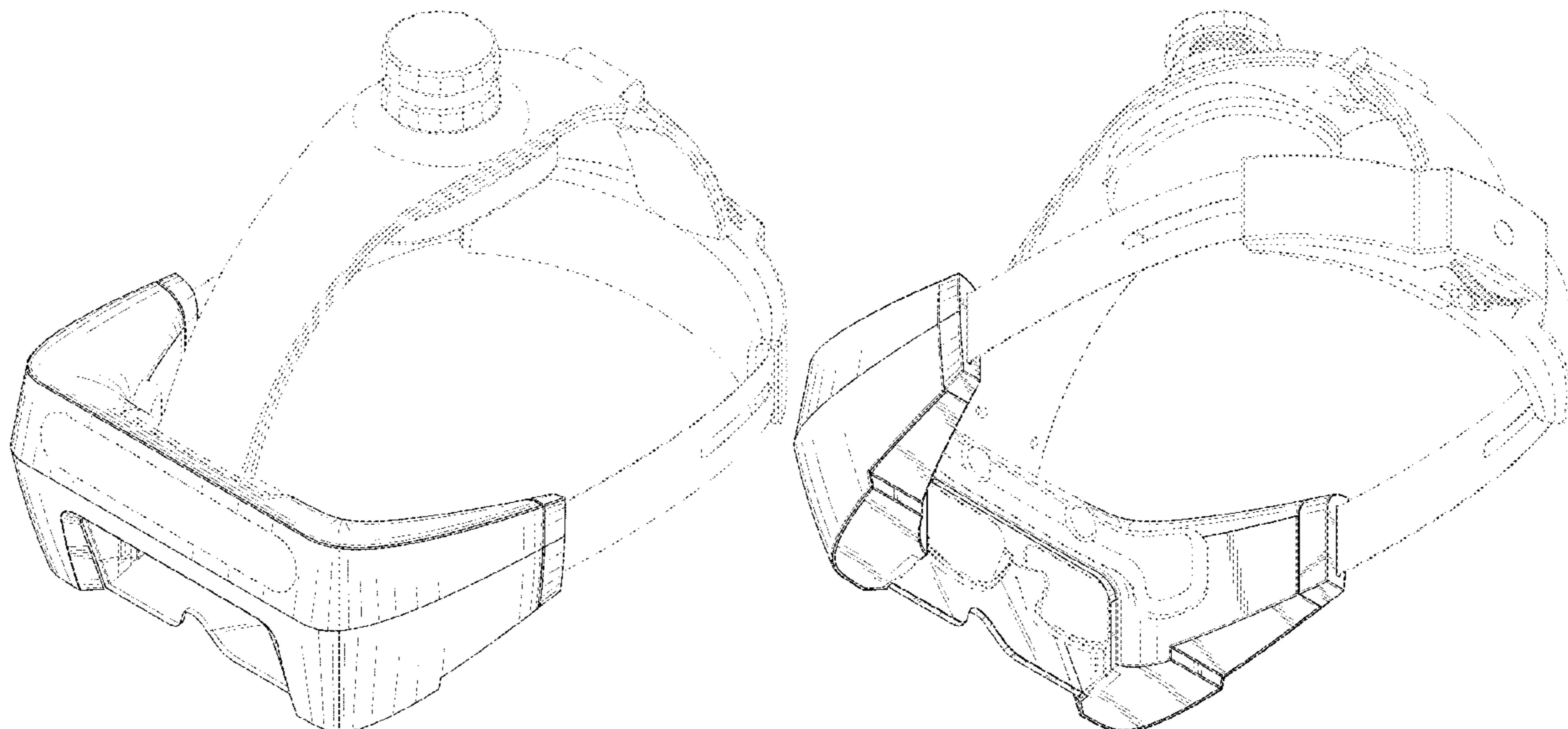
(57) **CLAIM**

The ornamental design for a head-mounted display, as shown and described.

DESCRIPTION

FIG. 1 is a perspective view of a head-mounted display showing my new design;
FIG. 2 is a bottom perspective view thereof;
FIG. 3 is a front elevational view thereof;
FIG. 4 is a rear elevational view thereof;
FIG. 5 is a left side elevational view thereof;
FIG. 6 is a right side elevational view thereof;
FIG. 7 is a top plan view thereof; and,
FIG. 8 is a bottom plan view thereof.
The evenly dashed broken lines depict portions of a head-mounted display in which the design is embodied that form no part of the claimed design.
The dash-dot broken lines are for defining the bounds of the claimed design only and form no part of the claimed design.

1 Claim, 8 Drawing Sheets



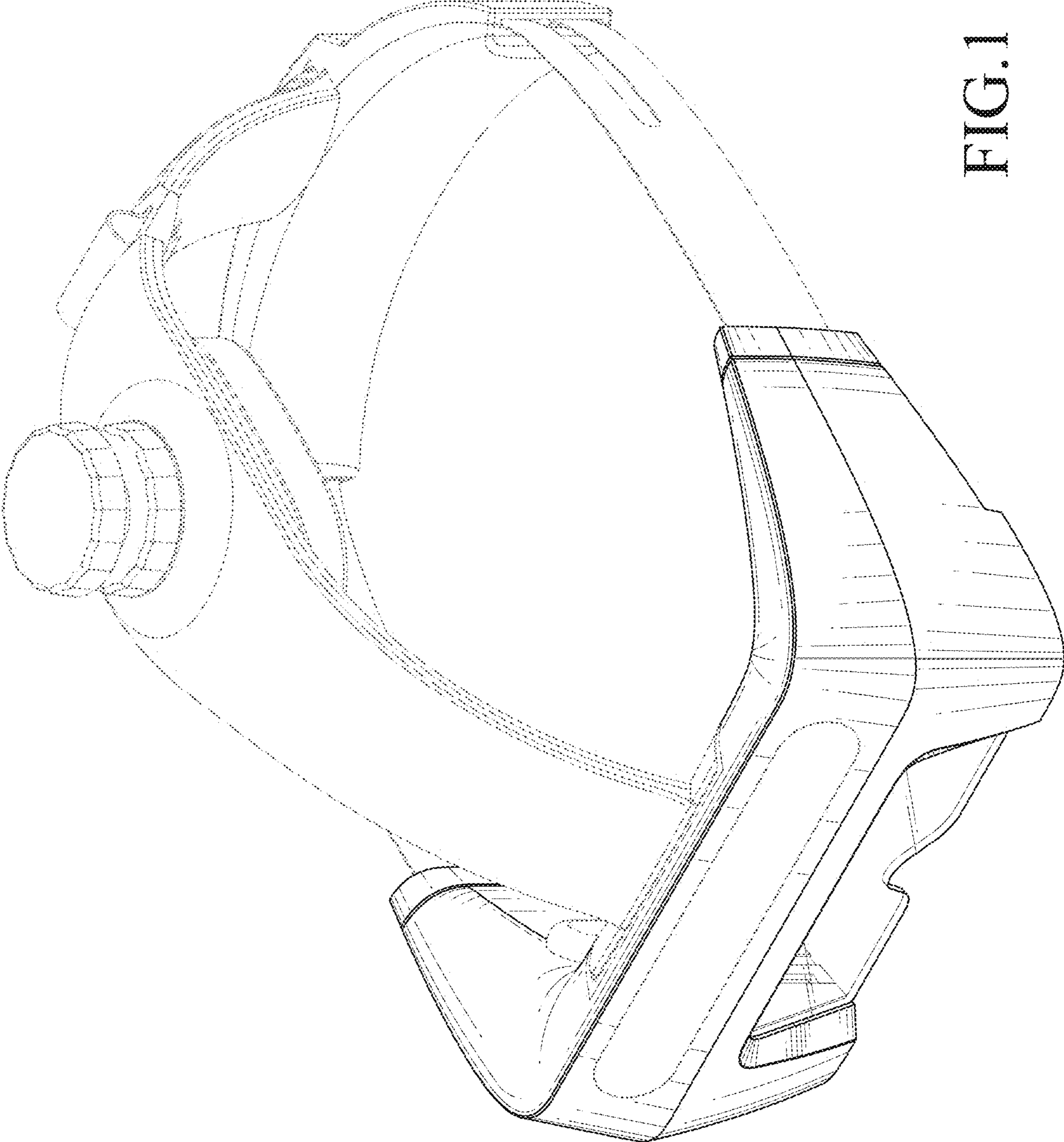


FIG. 1

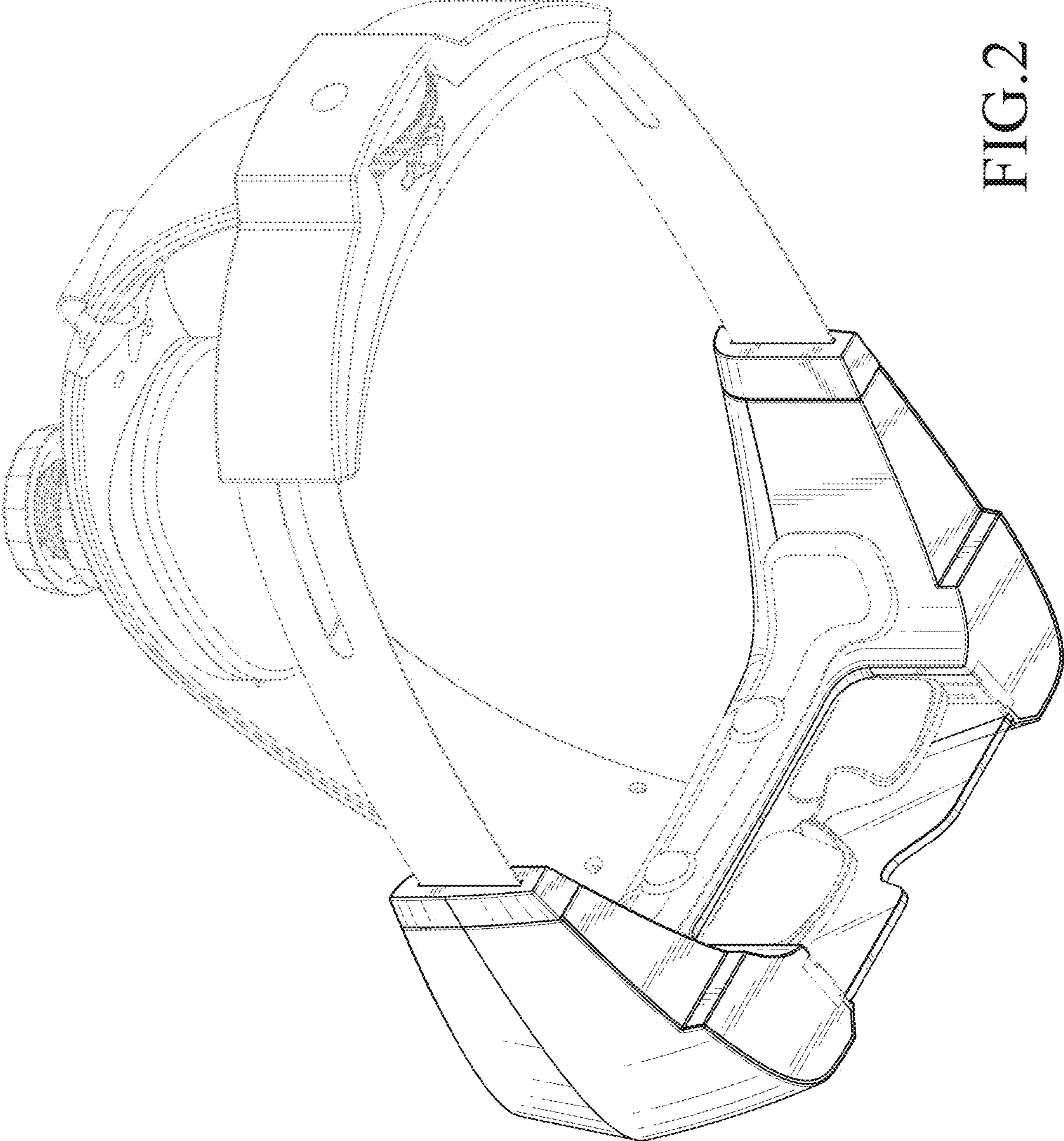


FIG. 2

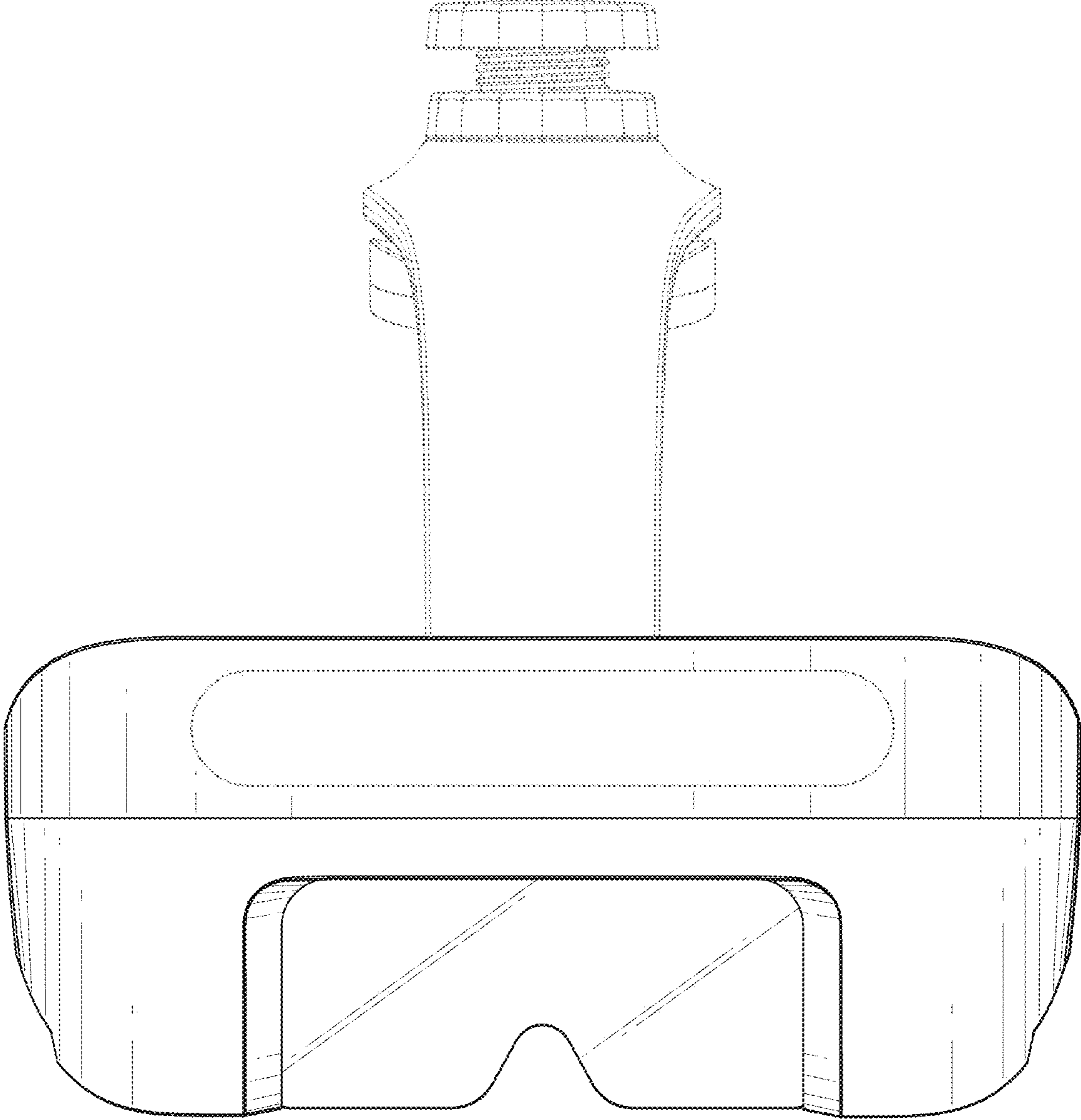


FIG.3

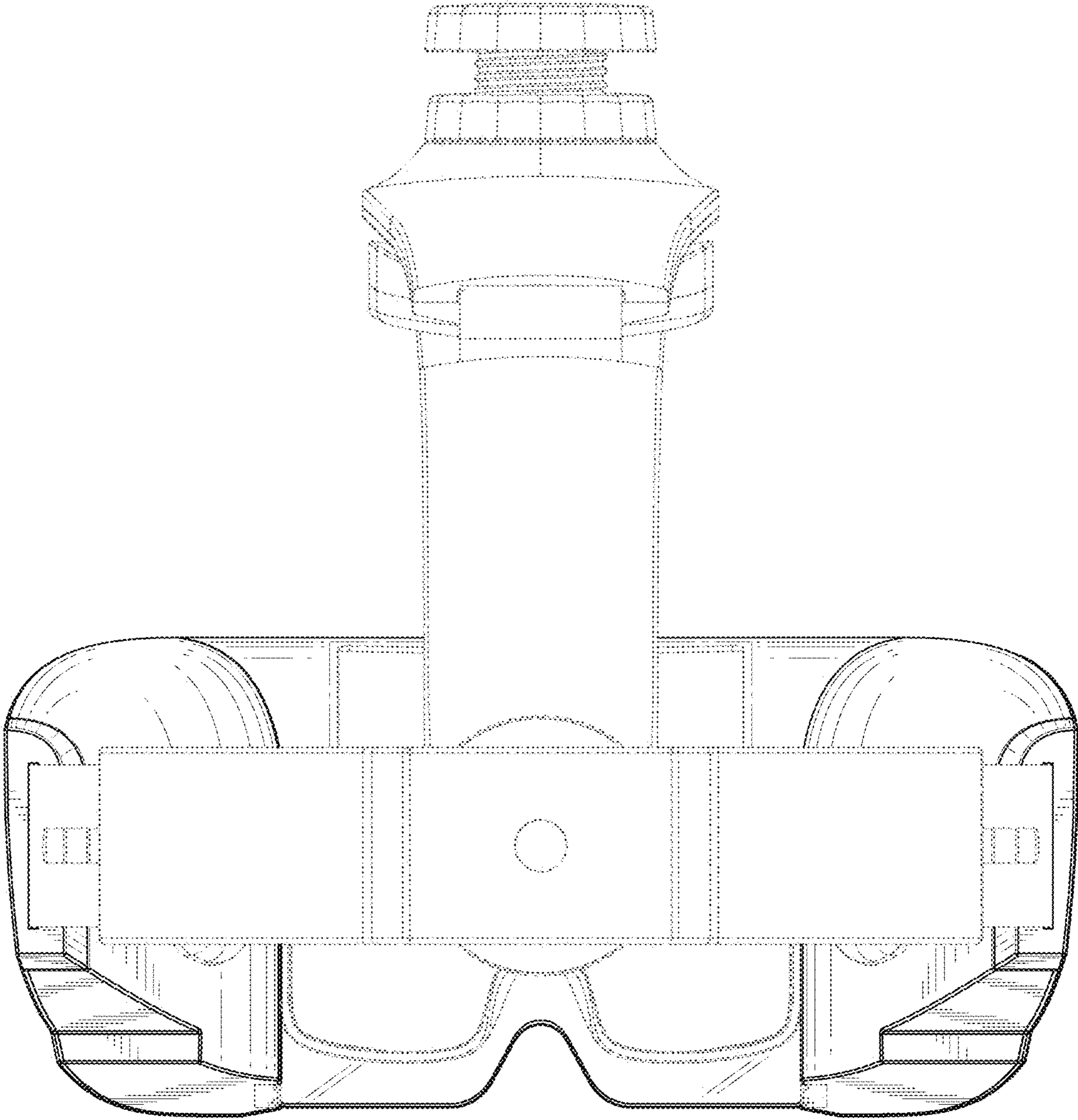


FIG. 4

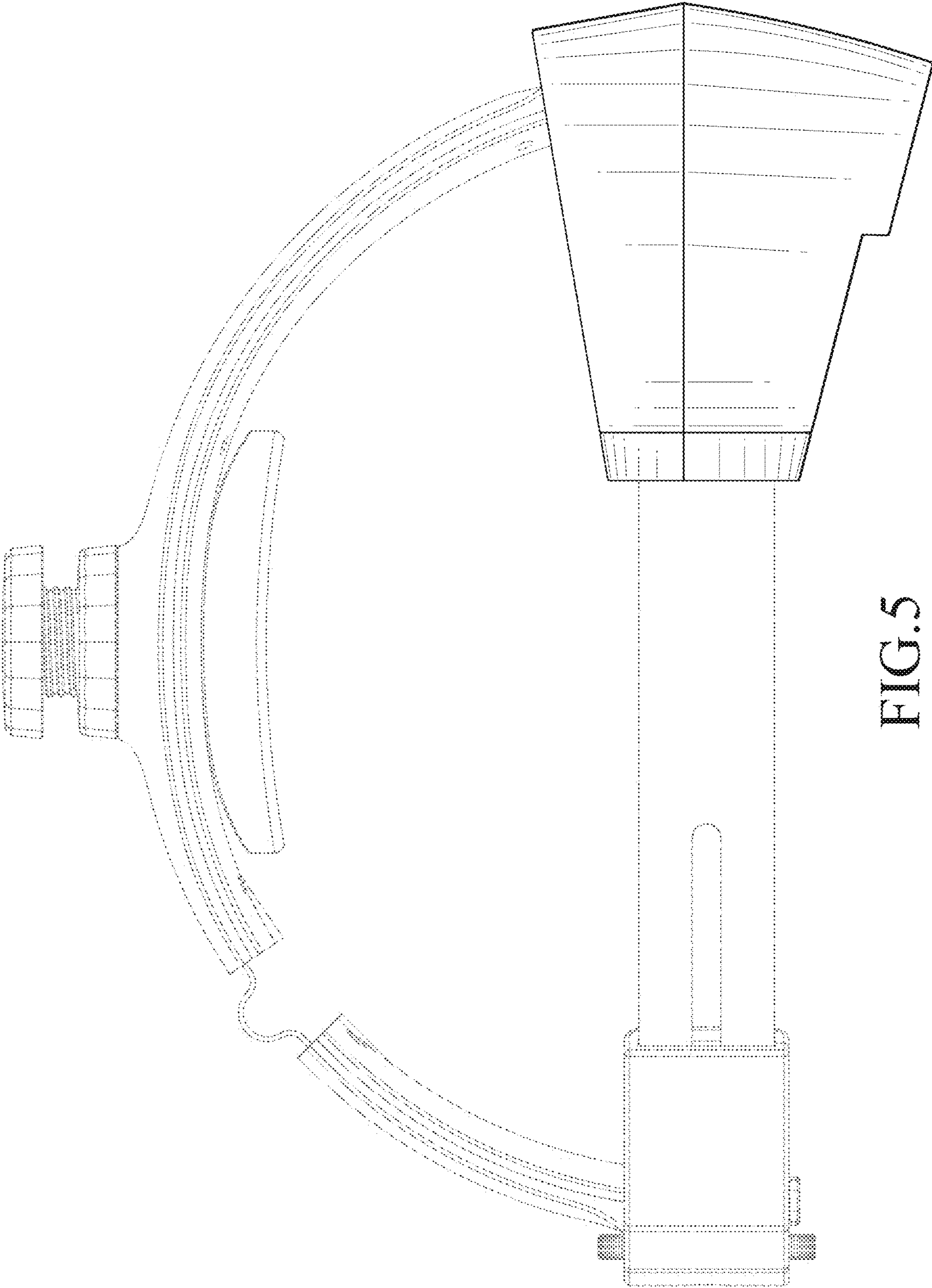


FIG.5

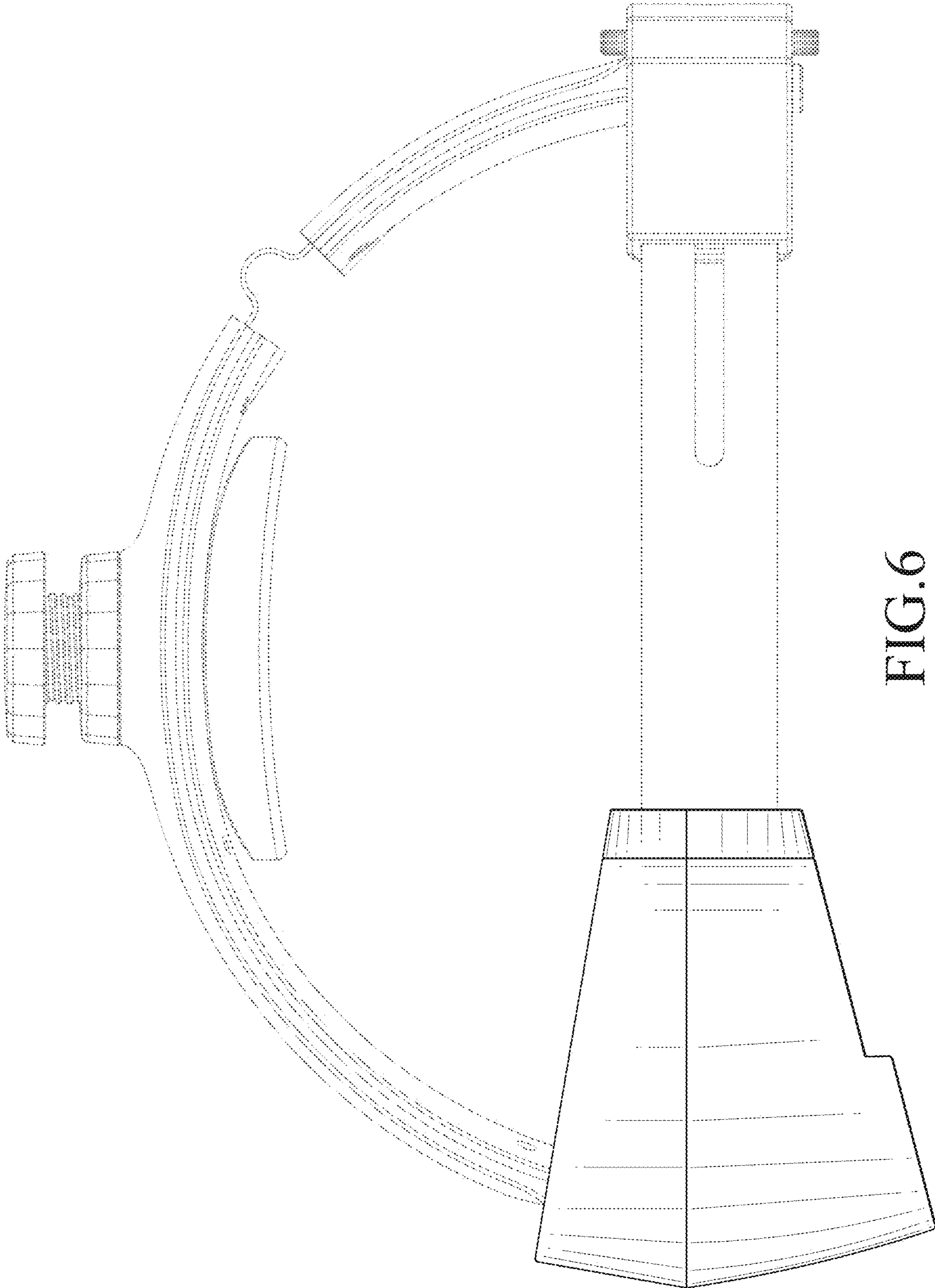


FIG.6

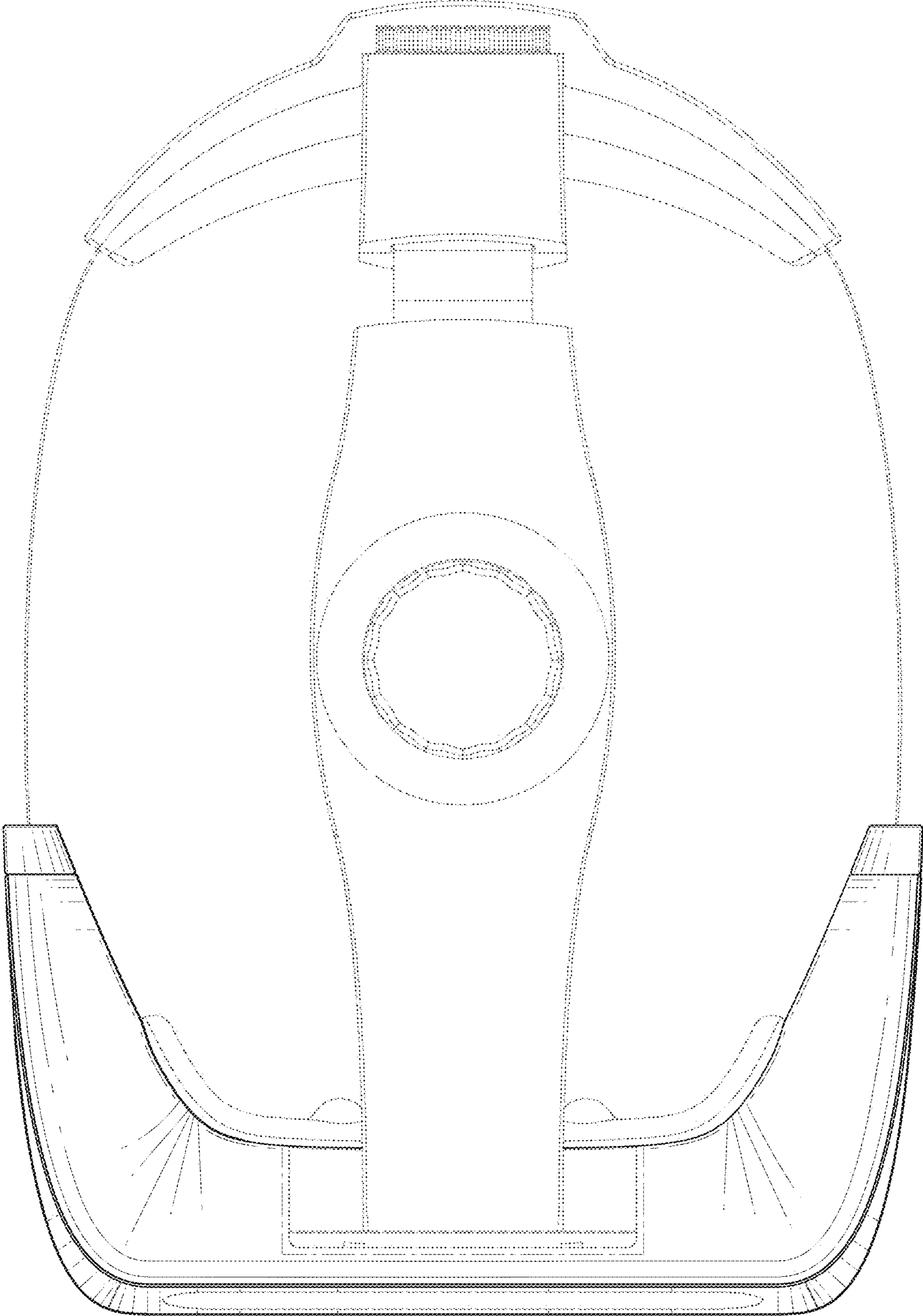


FIG. 7

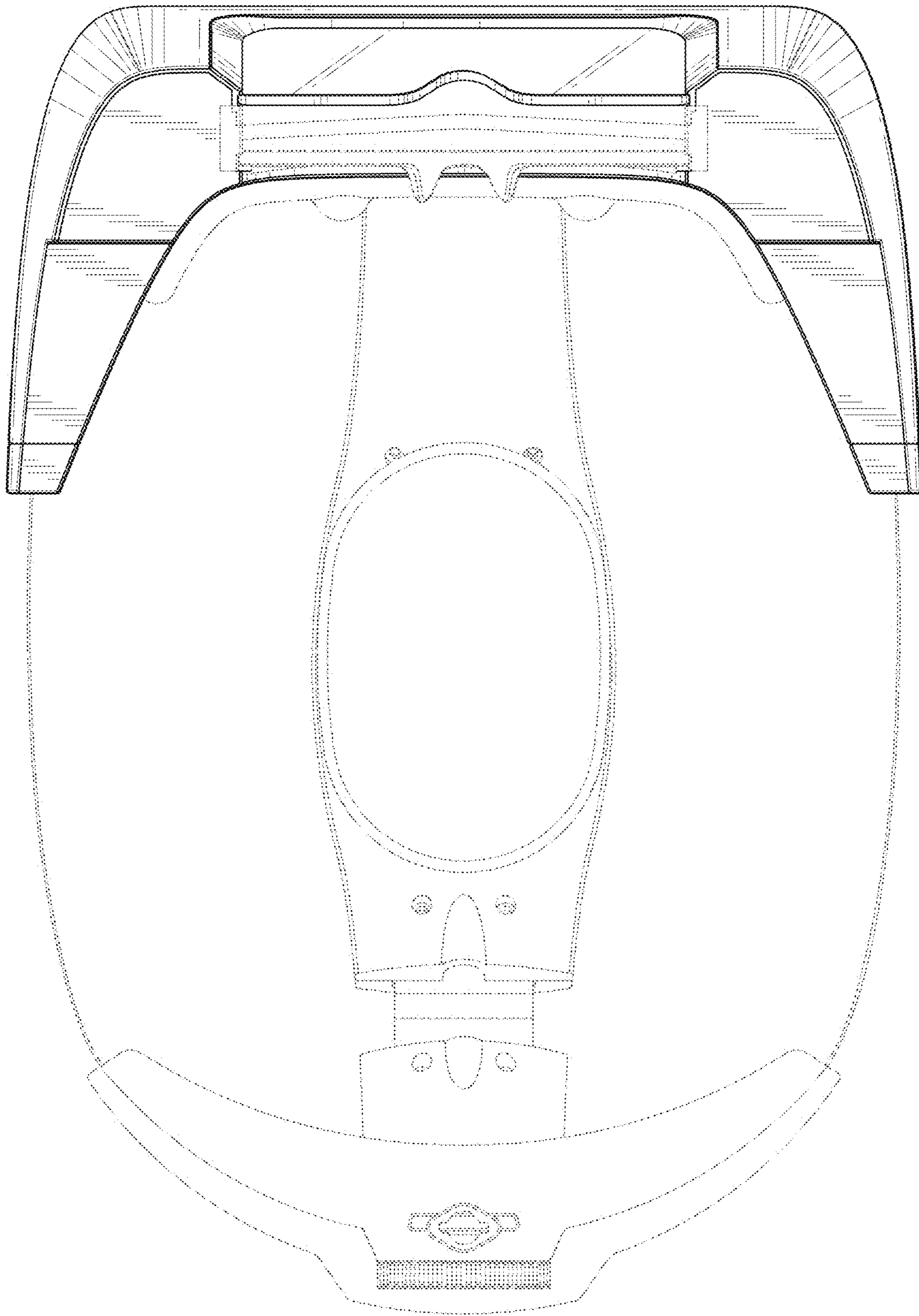


FIG. 8