



US00D945994S

(12) **United States Design Patent**  
**Lin**

(10) **Patent No.:** **US D945,994 S**  
(45) **Date of Patent:** **\*\* Mar. 15, 2022**

(54) **CONVERTER**

(71) Applicant: **ShenZhen FuXin Industrial Co., Ltd,**  
Shenzhen (CN)

(72) Inventor: **Shubin Lin,** Neijiang (CN)

(\*\*) Term: **15 Years**

(21) Appl. No.: **29/712,439**

(22) Filed: **Nov. 8, 2019**

(51) **LOC (13) Cl.** ..... **14-02**

(52) **U.S. Cl.**

USPC ..... **D14/357; D14/432; D14/433; D14/434**

(58) **Field of Classification Search**

USPC ..... D13/107, 108, 110, 123, 147; D14/240,  
D14/357, 358, 432, 433, 434

CPC . H01R 13/72; H02J 1/122; H02J 7/007; H02J  
7/31; H02J 7/47; H02J 7/63; H02J 7/342;  
G06F 1/26; G06F 1/263

See application file for complete search history.

(56) **References Cited**

**U.S. PATENT DOCUMENTS**

D828,356 S *	9/2018	Xie .....	D14/433
D854,020 S *	7/2019	Liao .....	D14/434
D880,482 S *	4/2020	Wang .....	D14/433
D886,825 S *	6/2020	Zhang .....	D14/433
D890,759 S *	7/2020	Fan .....	D14/433
D899,363 S *	10/2020	Wu .....	D13/110
D907,636 S *	1/2021	Chen .....	D14/433
D911,936 S *	3/2021	Miller .....	H02J 1/122
			D13/107
D918,917 S *	5/2021	Wu .....	D14/433
D923,626 S *	6/2021	Zhang .....	D14/433

D928,160 S *	8/2021	Liao .....	D14/433
D929,997 S *	9/2021	Liu .....	D14/433
2002/0168891 A1 *	11/2002	Kitou .....	H01R 13/72
			439/501

**OTHER PUBLICATIONS**

Fuxinlink.com, Date not available, [online], [site visited Oct. 6, 2021], Available from internet, URL: <http://www.fuxinlink.com/index.php?c=show&id=77> (Year: 2021).\*

\* cited by examiner

*Primary Examiner* — Shawn T Gingrich  
*Assistant Examiner* — Bryan Nolan Melvin

(57) **CLAIM**

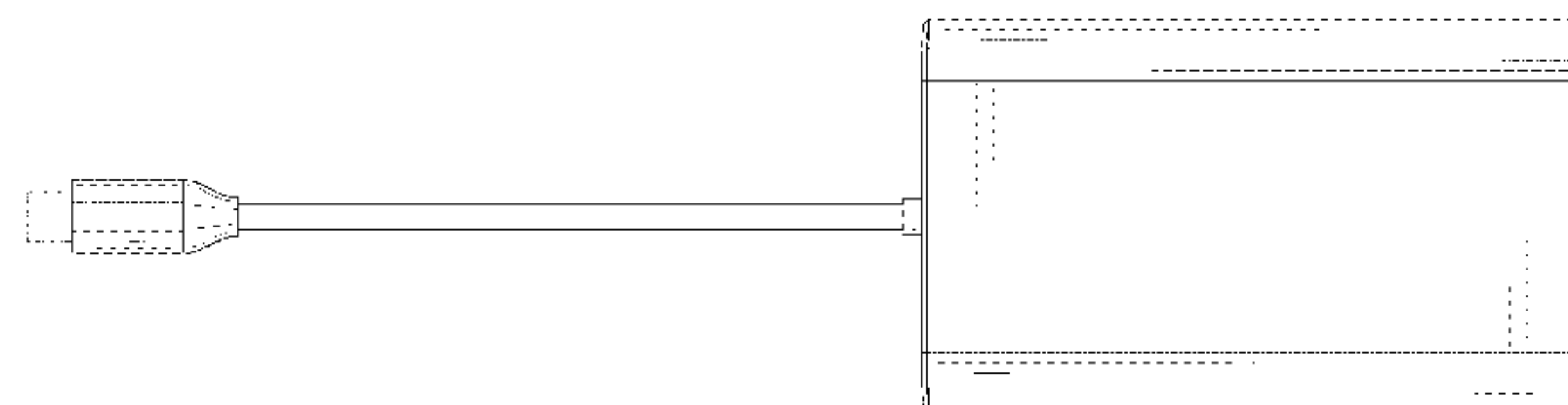
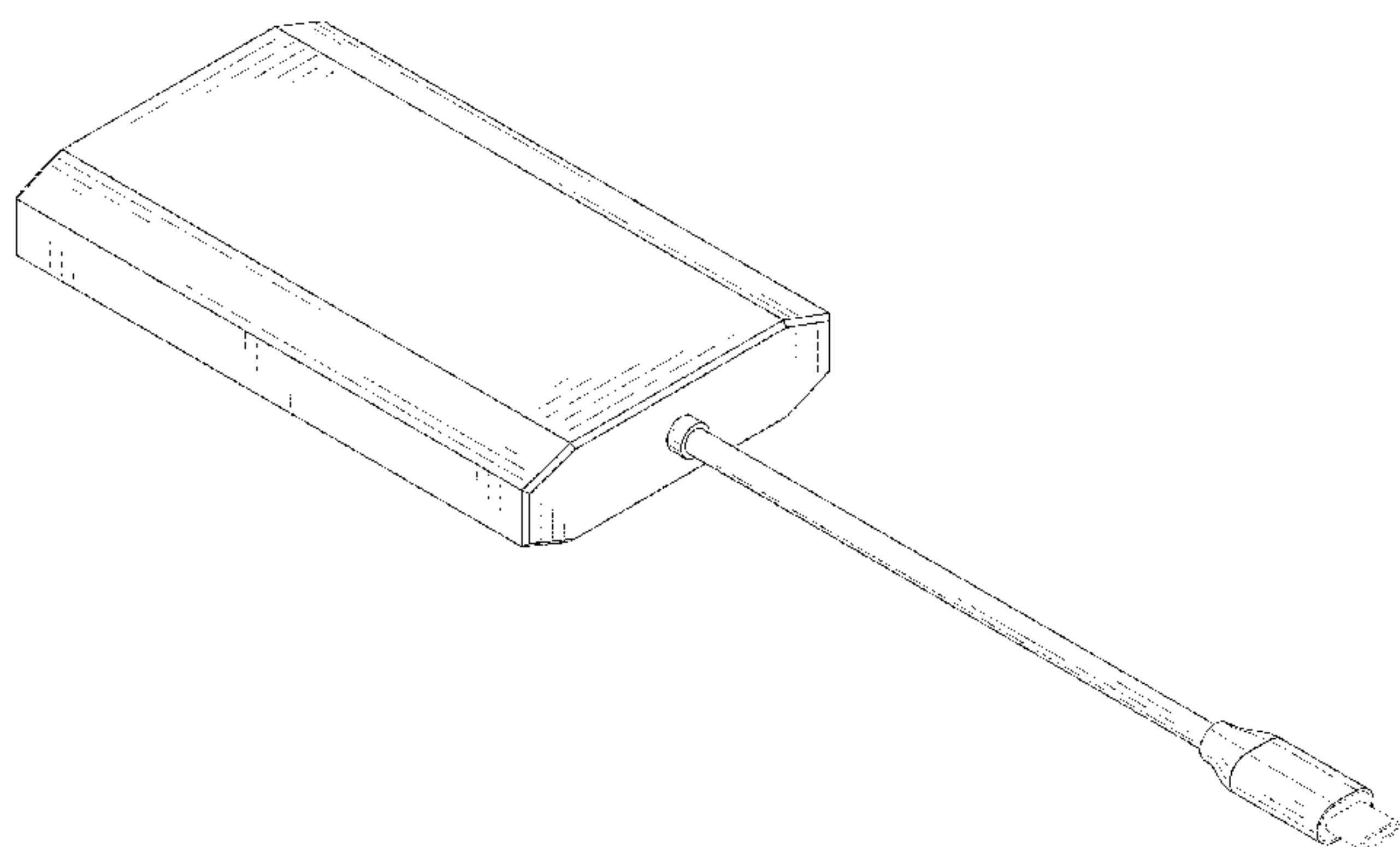
The ornamental design for a converter, as shown and described.

**DESCRIPTION**

FIG. 1 is a first perspective view of a converter showing my new design;  
FIG. 2 is a second perspective view thereof;  
FIG. 3 is a front view thereof;  
FIG. 4 is a back view thereof;  
FIG. 5 is a left side view thereof;  
FIG. 6 is a right side view thereof;  
FIG. 7 is a top view thereof; and,  
FIG. 8 is a bottom view thereof.

The broken lines shown in the drawings depict portions of the converter in which the design is embodied that form no part of the claimed design.

**1 Claim, 8 Drawing Sheets**



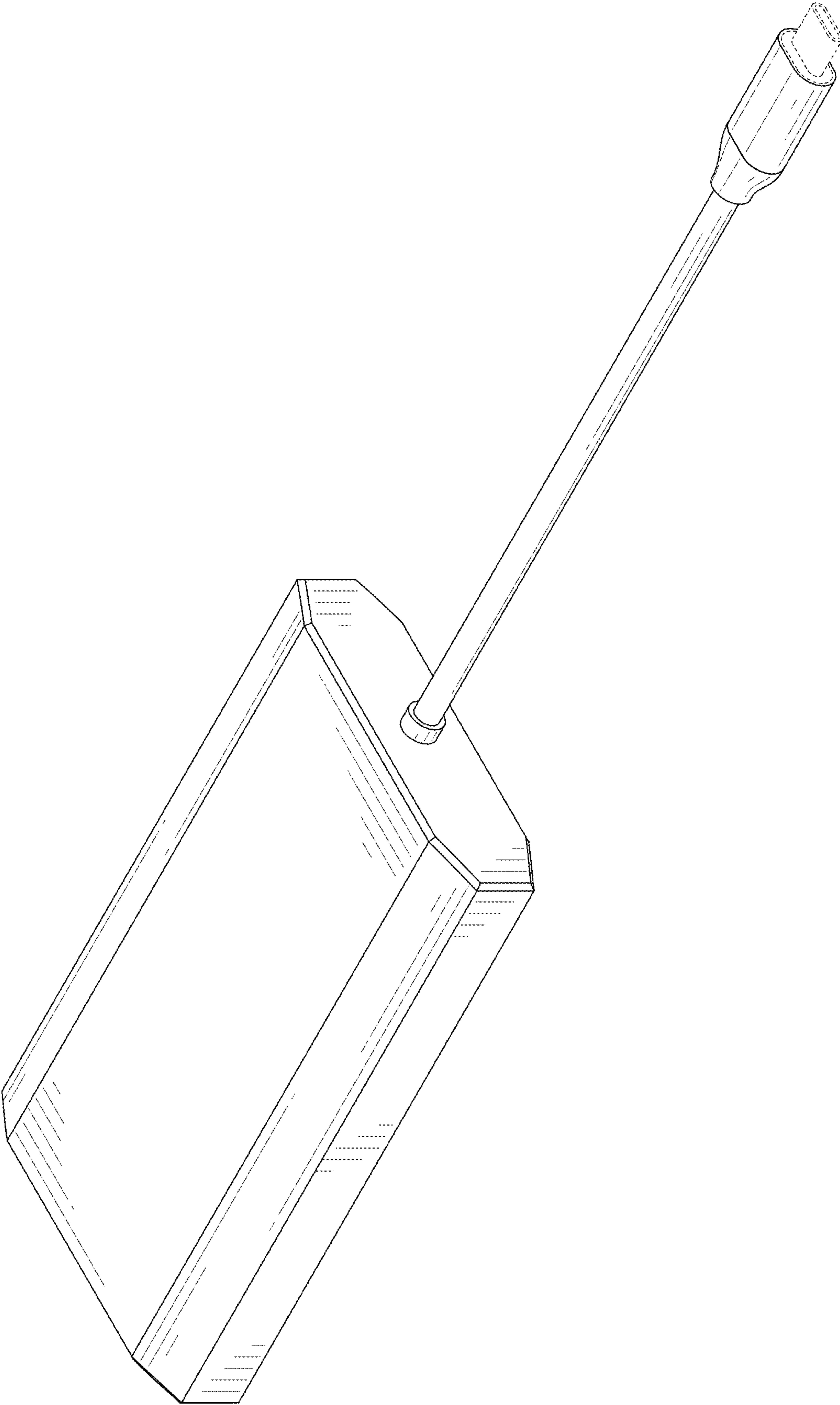


FIG. 1

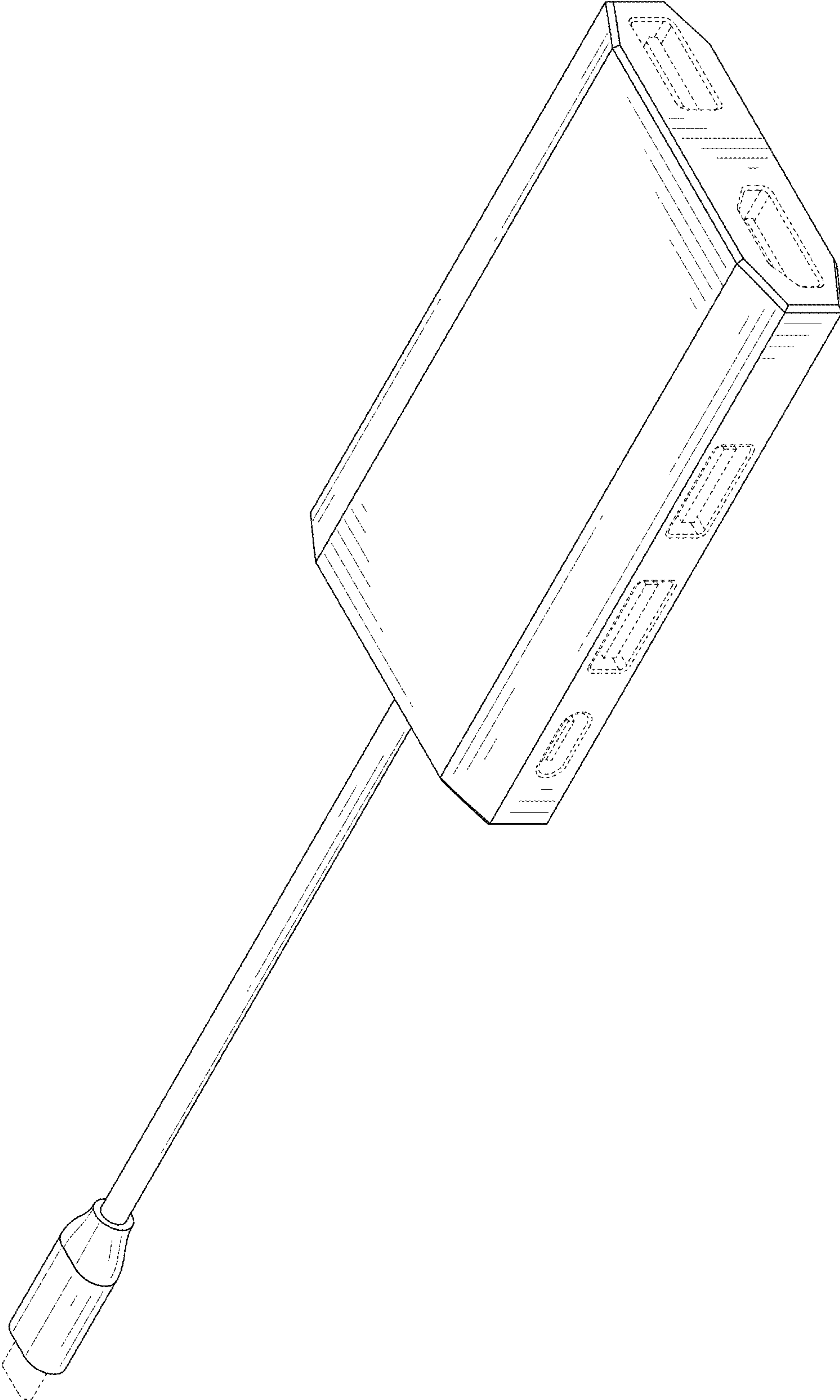


FIG. 2

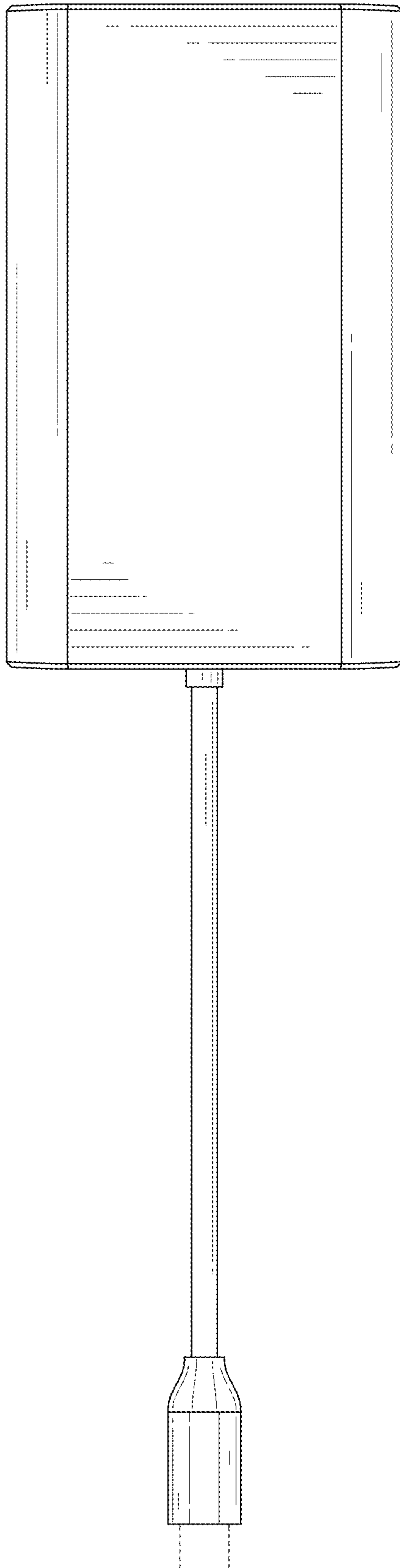


FIG. 3

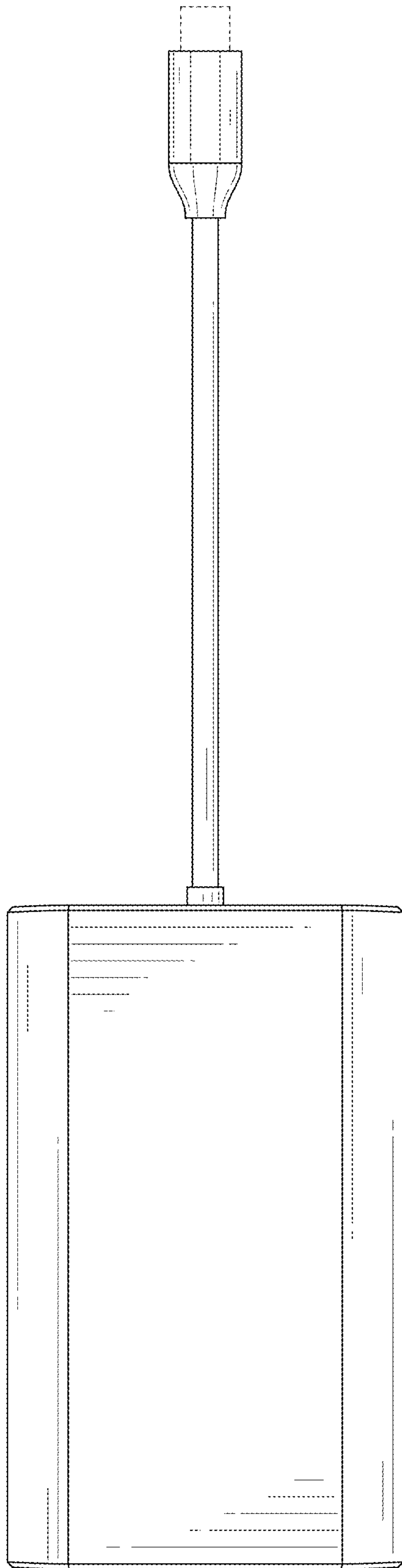


FIG. 4

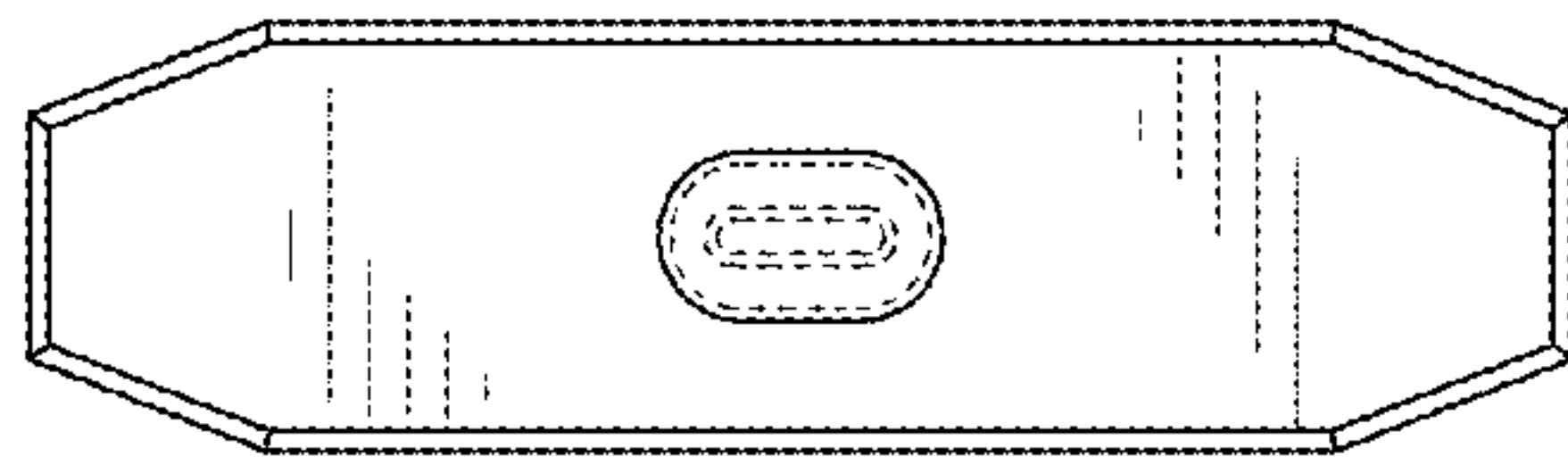


FIG. 5

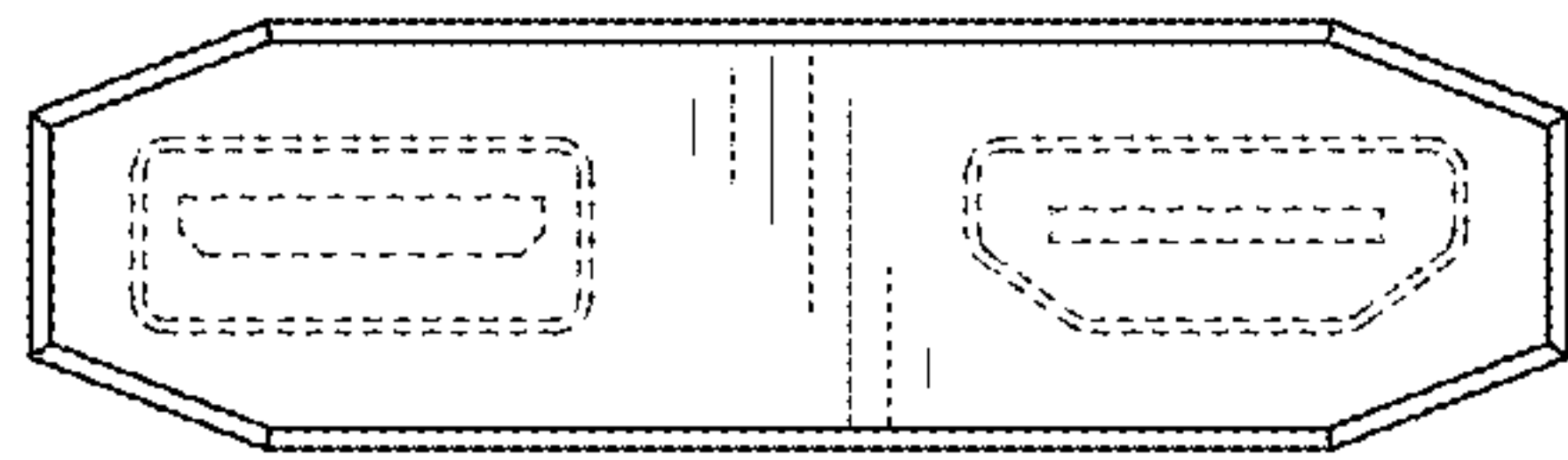


FIG. 6

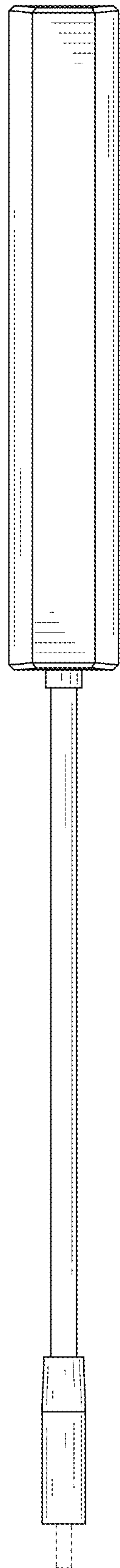


FIG. 7



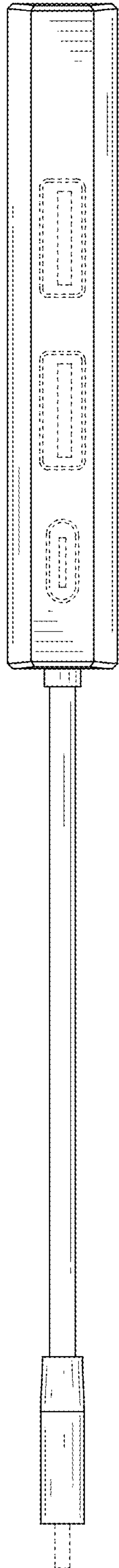


FIG. 8