



US00D945991S

(12) **United States Design Patent**
Kim et al.

(10) **Patent No.:** **US D945,991 S**
(45) **Date of Patent:** **** Mar. 15, 2022**

(54) **ALL-IN-ONE COMPUTER**

(56) **References Cited**

(71) Applicant: **LG ELECTRONICS INC.**, Seoul (KR)

U.S. PATENT DOCUMENTS

(72) Inventors: **Yongsoo Kim**, Seoul (KR); **Daihyung Ryu**, Seoul (KR)

D859,337 S	*	9/2019	Lee	D14/126
D869,414 S	*	12/2019	Kim	D14/126
D900,819 S	*	11/2020	Kim	D14/374
D903,616 S	*	12/2020	Kim	D14/129
D907,039 S	*	1/2021	Kim	D14/375
D925,520 S	*	7/2021	Chen	D14/336

(73) Assignee: **LG ELECTRONICS INC.**, Seoul (KR)

* cited by examiner

(**) Term: **15 Years**

Primary Examiner — Keli L Hill

(21) Appl. No.: **35/511,042**

(74) *Attorney, Agent, or Firm* — Birch, Stewart, Kolasch & Birch, LLP

(22) Filed: **Nov. 25, 2020**

(57) **CLAIM**

(80) **Hague Agreement Data**

The ornamental design for an all-in-one computer, as shown and described.

Int. Filing Date: **Nov. 25, 2020**

Int. Reg. No.: **DM/211811**

Int. Reg. Date: **Nov. 25, 2020**

Int. Reg. Pub. Date: **Dec. 25, 2020**

DESCRIPTION

(30) **Foreign Application Priority Data**

Jun. 10, 2020 (KR) 30-2020-0026010

(51) **LOC (13) Cl.** **14-02**

(52) **U.S. Cl.**
USPC **D14/336**; D14/375; D14/385

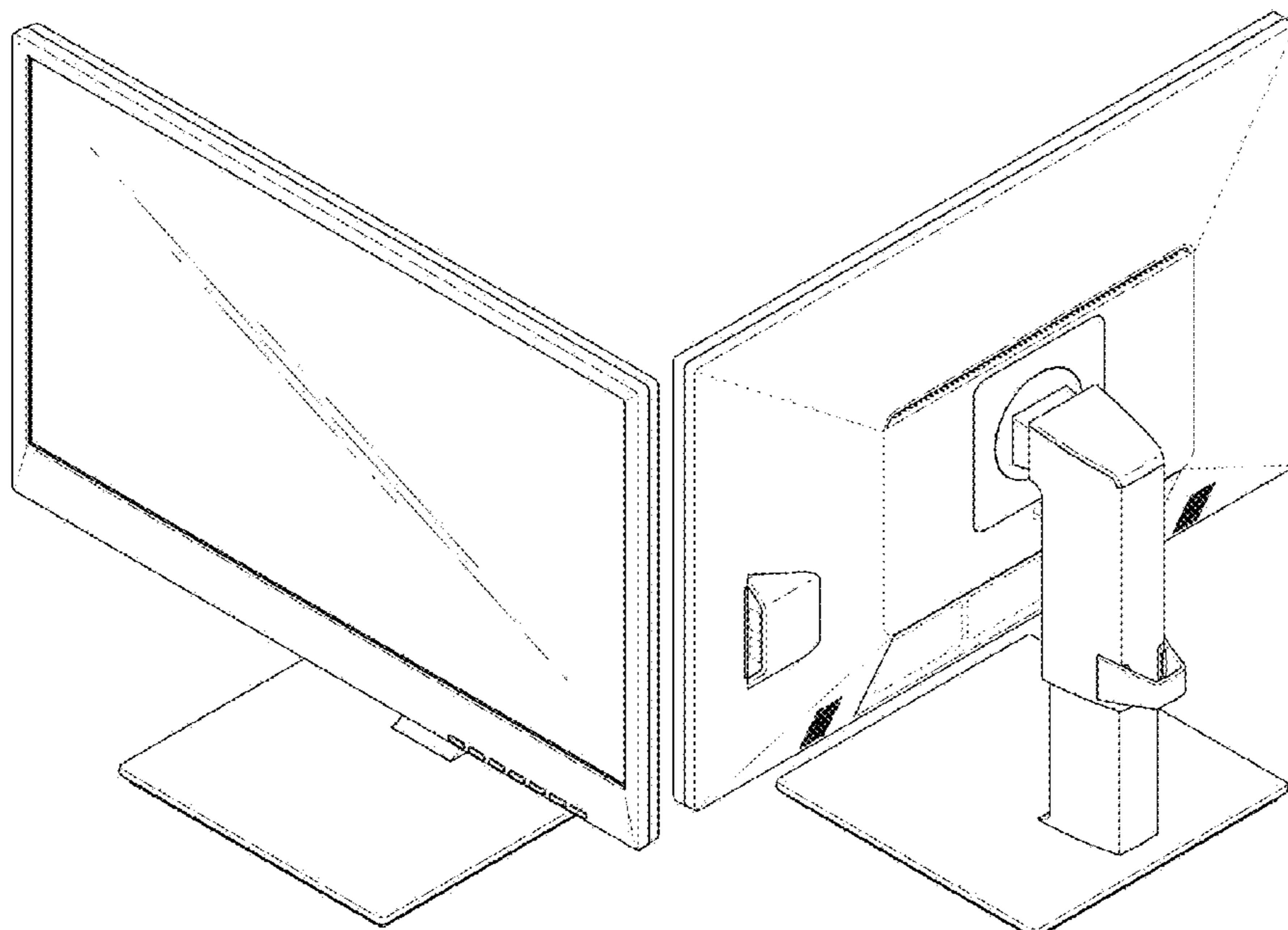
(58) **Field of Classification Search**
USPC D14/126, 239, 336, 371–382, 448, 450,
D14/451, 300–302, 307, 314, 334, 335;
D21/329, 332, 515; D6/310, 312
CPC G06F 1/16; G06F 1/1601; G06F 1/1637;
H04N 5/64; H05K 5/0204; H05K 5/0004;
H05K 5/0017; H05K 5/0217

See application file for complete search history.

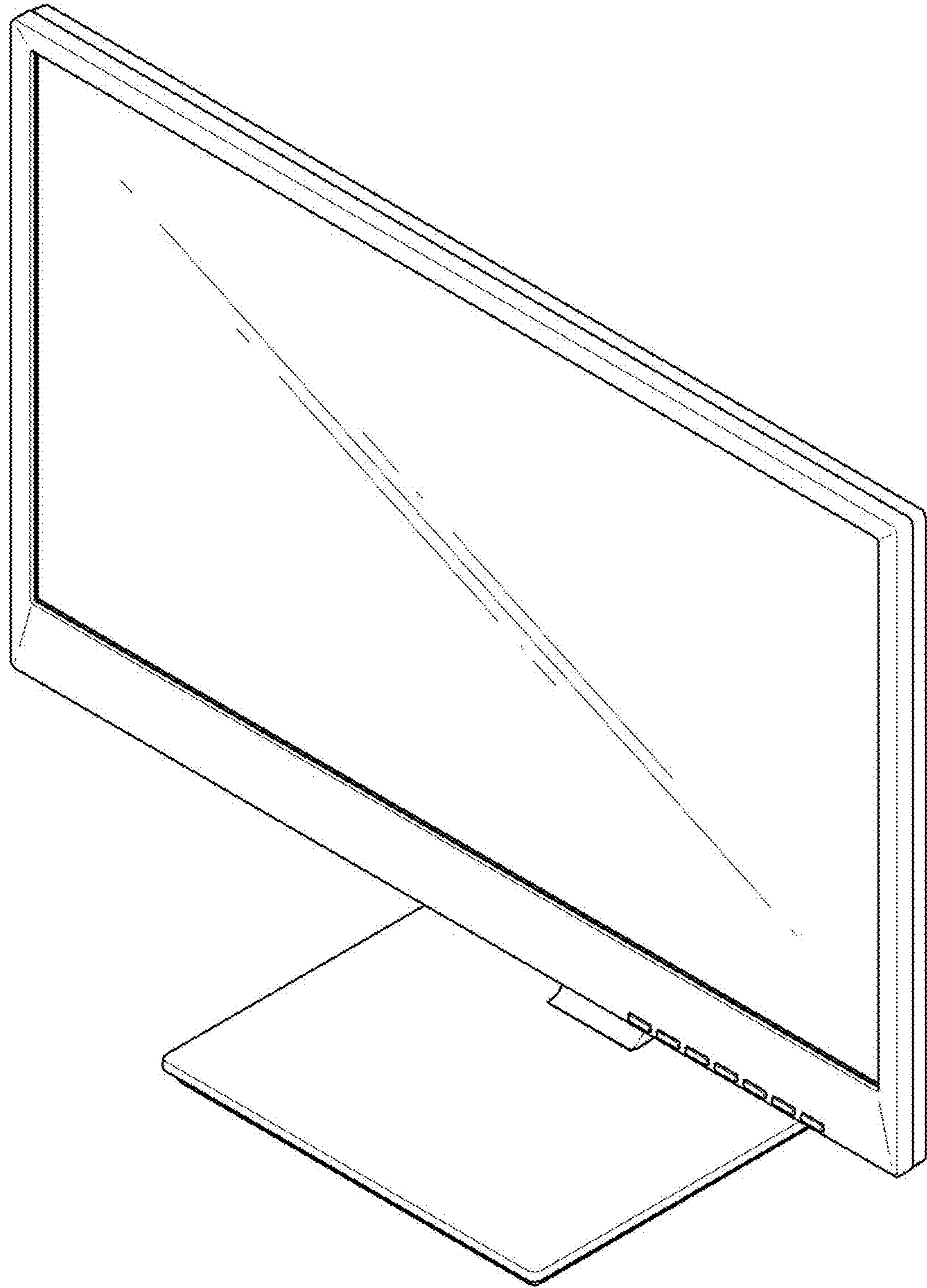
- 1. All-in-one computer
- 1.1 : Perspective
- 1.2 : Rear perspective view
- 1.3 : Front
- 1.4 : Back
- 1.5 : Left
- 1.6 : Right
- 1.7 : Top
- 1.8 : Bottom

The present design is for an all-in-one computer comprising of a computer built into a monitor with a Radio Frequency Identification (RFID) module; the RFID module is built in the lower front of the monitor, and it is possible to improve security and convenience by logging in and by tagging a card or the like; the broken lines indicate portions of the article that form no part of the claimed design.

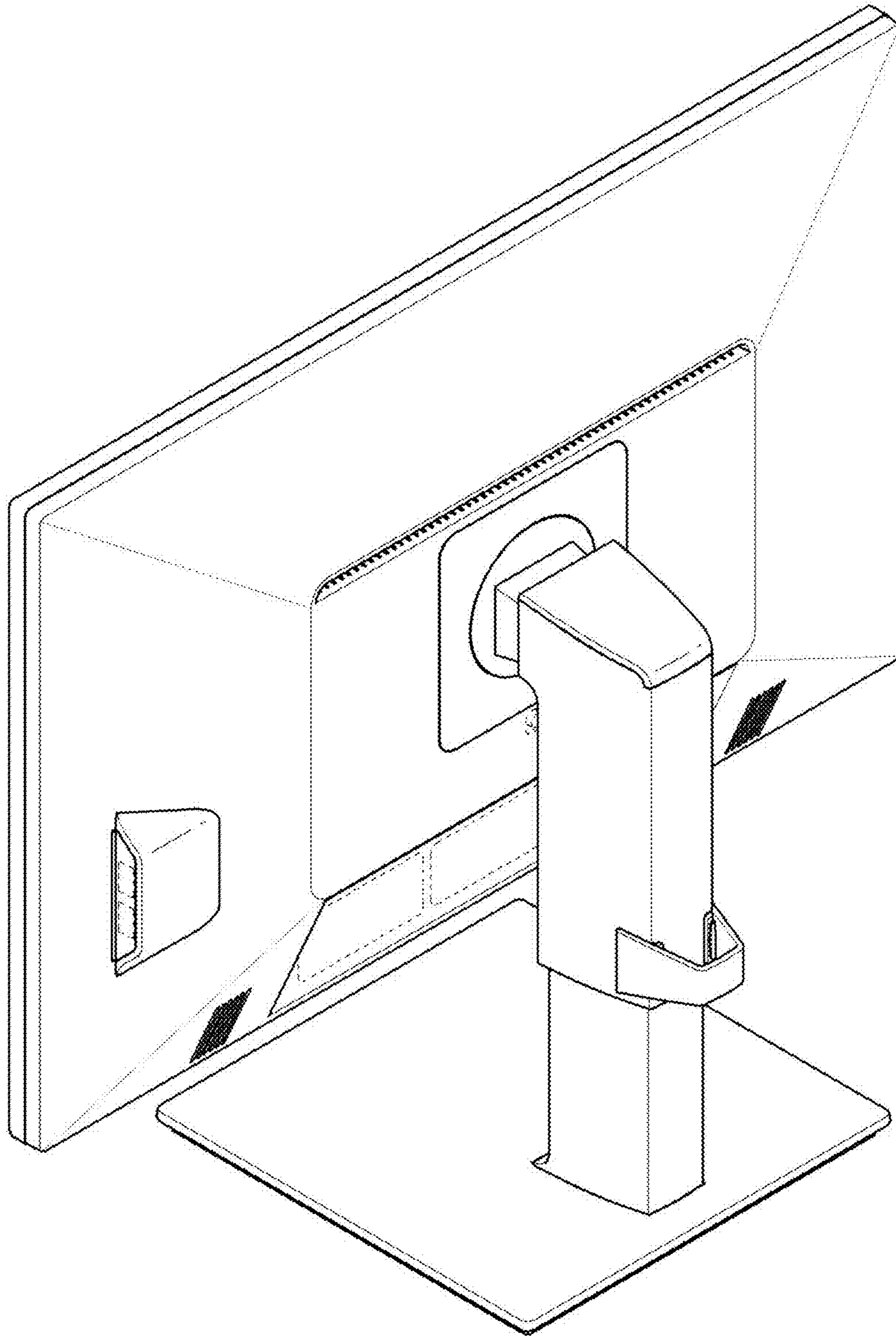
1 Claim, 8 Drawing Sheets



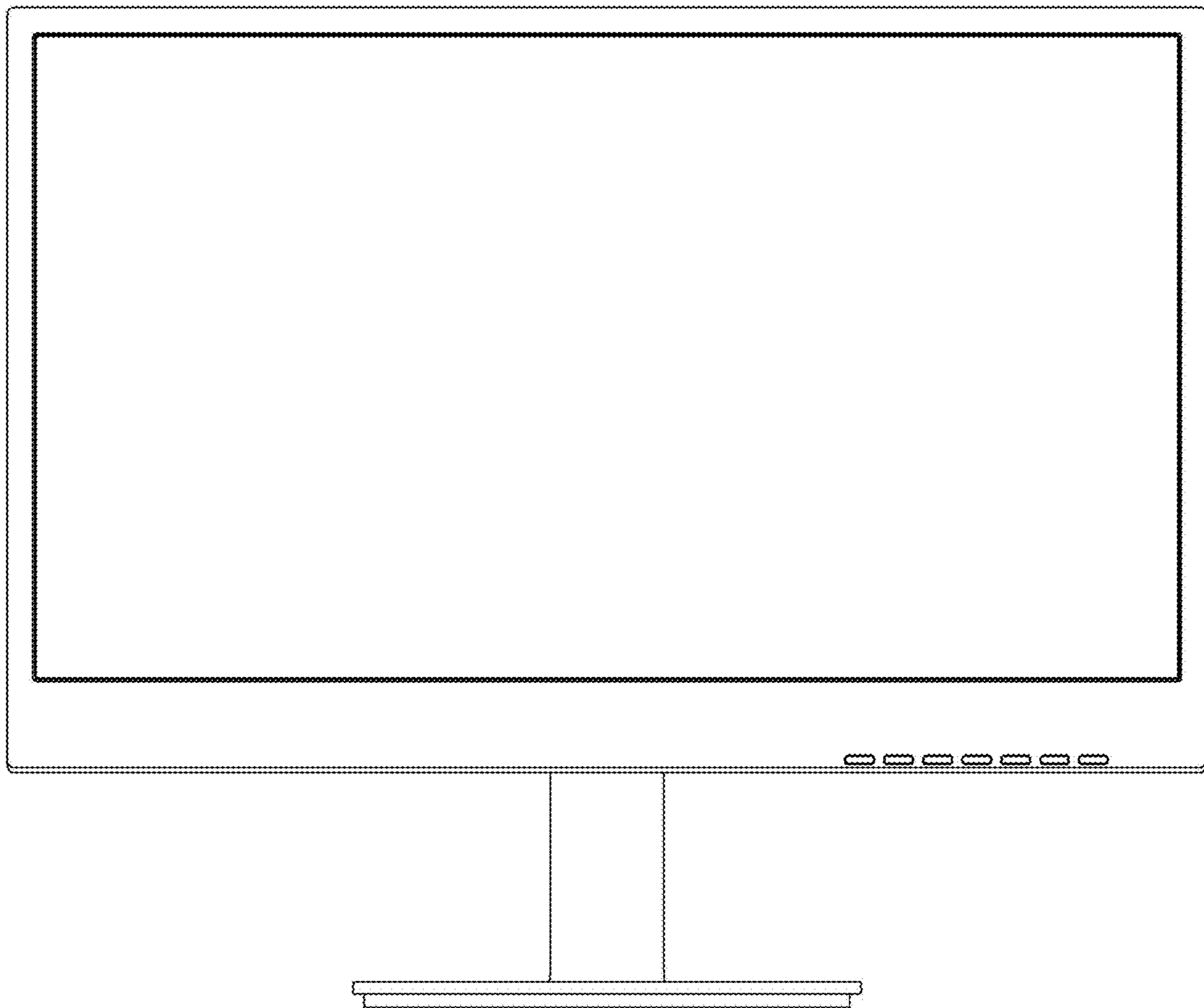
1.1



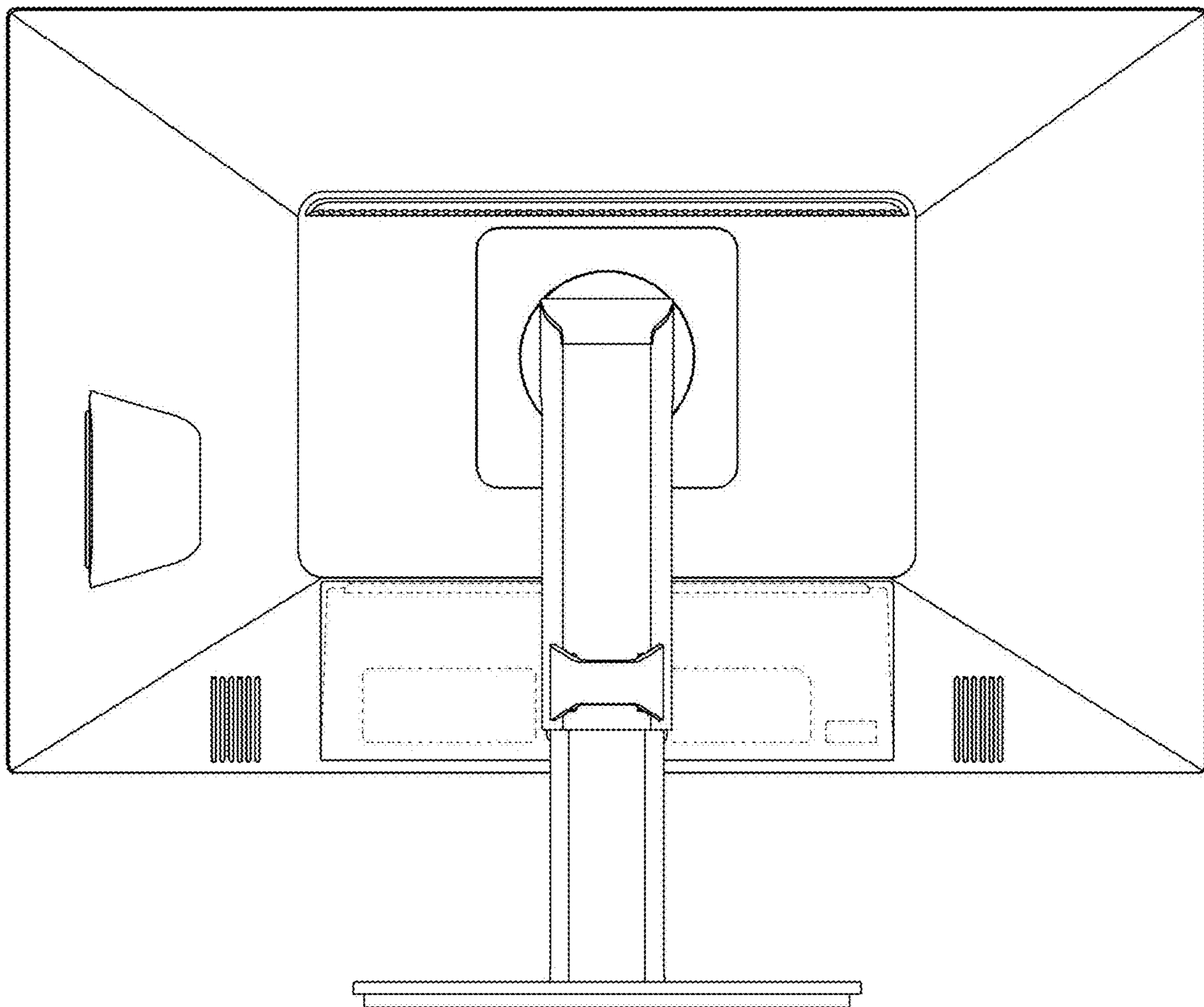
1.2



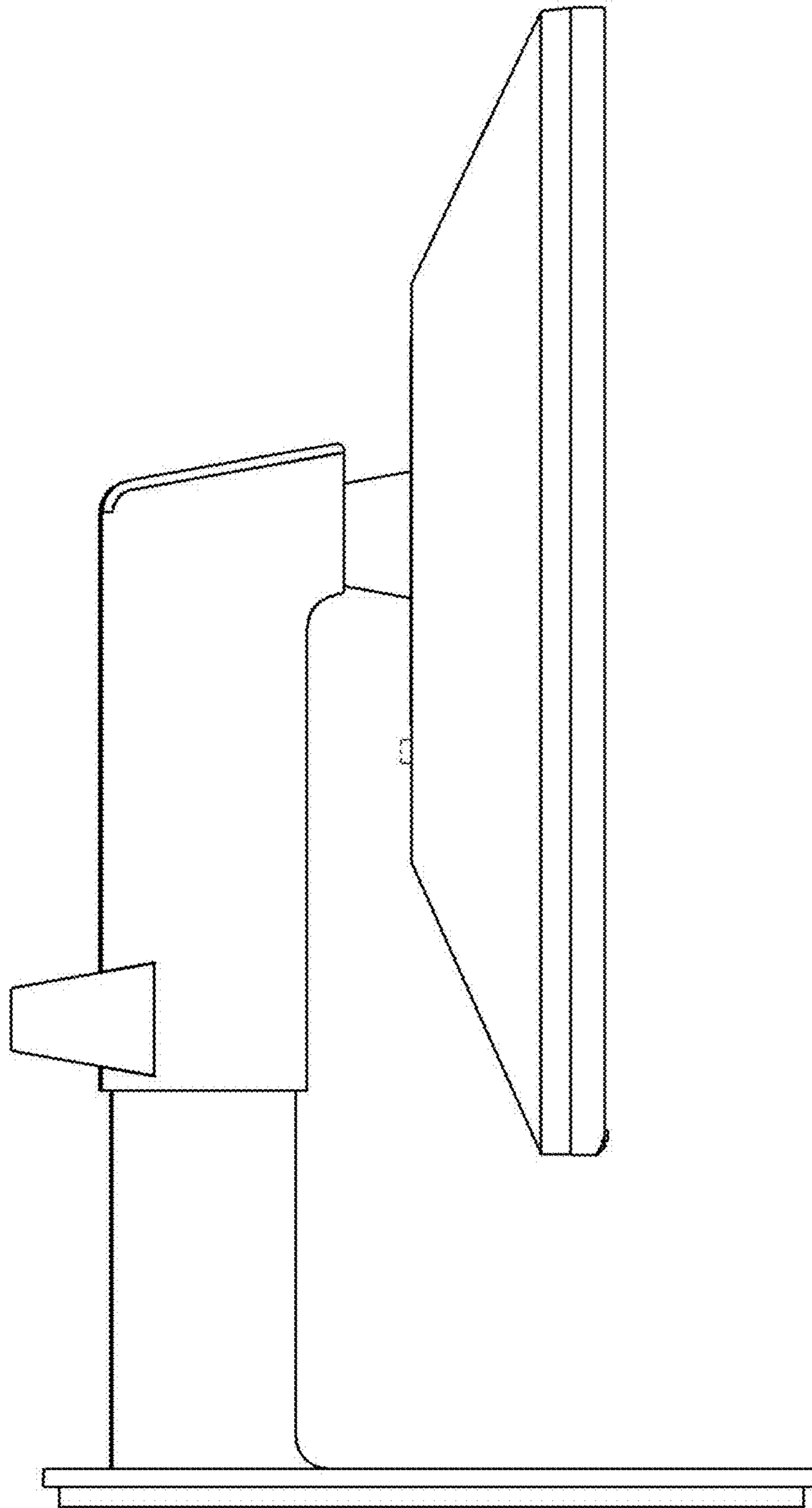
1.3



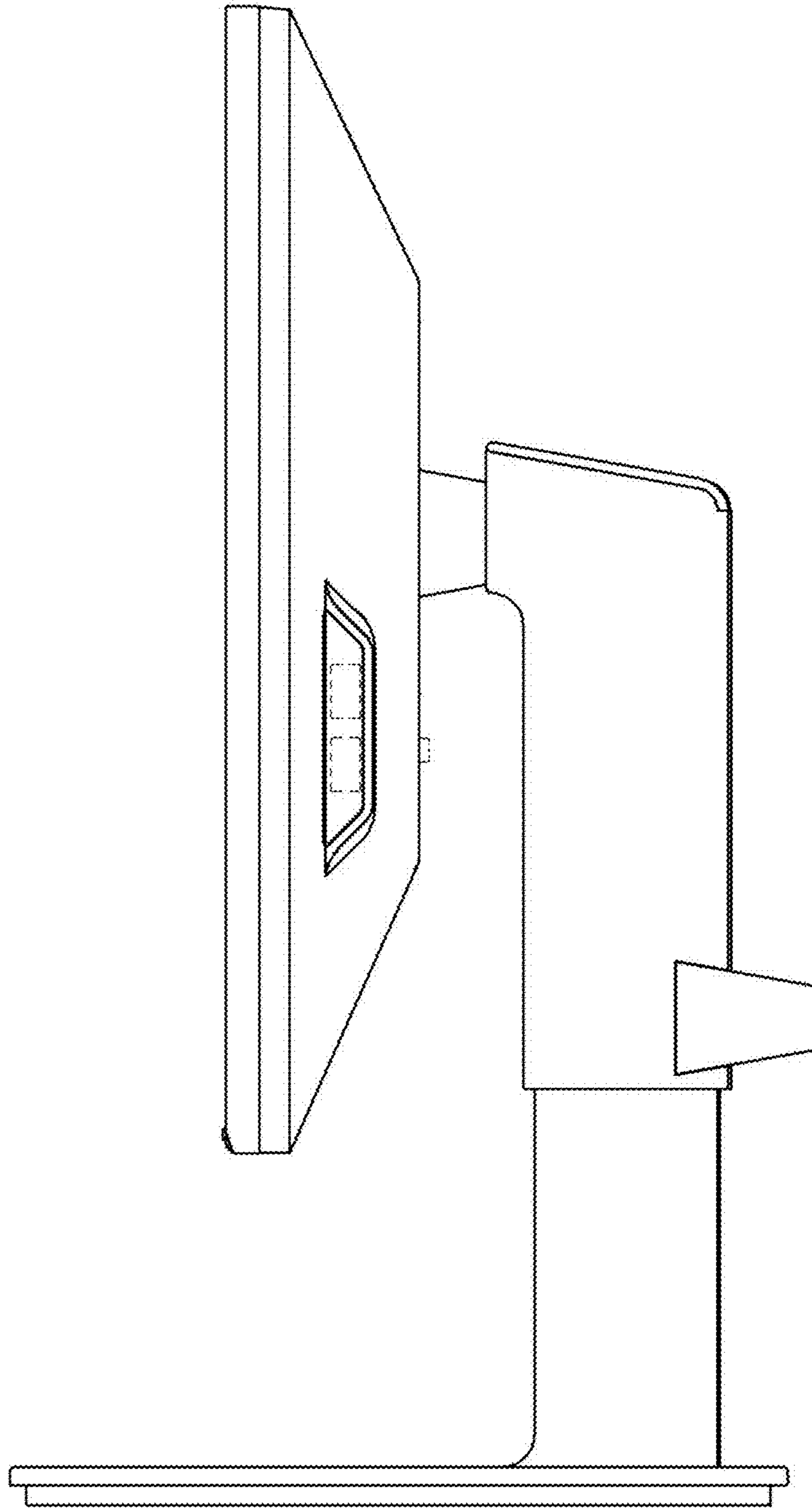
1.4



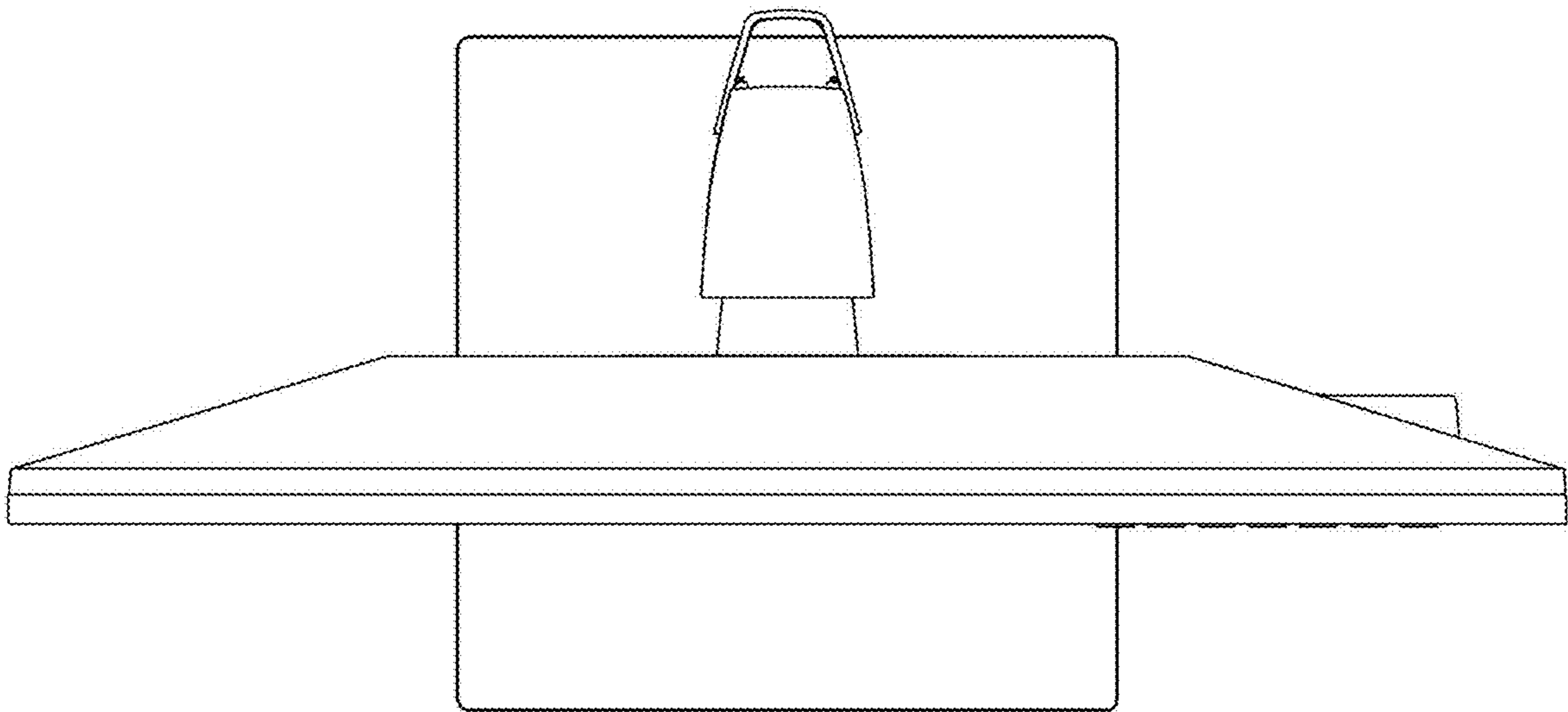
1.5



1.6



1.7



1.8

