



US00D945990S

(12) **United States Design Patent**
Huang et al.

(10) **Patent No.:** **US D945,990 S**
(45) **Date of Patent:** **** Mar. 15, 2022**

(54) **MOBILE PHONE PROTECTION SHELL**

(71) Applicant: **Choton Excellent Technology (Shen Zhen) Co., LTD**, Shenzhen (CN)

(72) Inventors: **Xiaofeng Huang**, Shenzhen (CN); **Jia Yu**, Shenzhen (CN)

(73) Assignee: **Choton Excellent Technology (Shen Zhen) Co., LTD**, Shenzhen (CN)

(**) Term: **15 Years**

(21) Appl. No.: **29/755,188**

(22) Filed: **Oct. 19, 2020**

(30) **Foreign Application Priority Data**

Jun. 15, 2020 (CN) 202030302559.6

(51) **LOC (13) Cl.** **14-03**

(52) **U.S. Cl.**
USPC **D14/250**

(58) **Field of Classification Search**
USPC D14/203.3–203.7, 439, 251–253, 447,
D14/217, 240, 238.1, 250, 440, 248;
D13/103, 107–108, 119; D3/201, 218,
D3/247, 249, 269, 273, 301, 303
CPC . H04B 1/3888; A45C 13/02; A45C 2011/002;
A45C 1/06; A45C 11/00; A45F 2005/026;
A45F 2200/0525; A45F 2200/0516;
H04M 1/0283; H04M 1/0202
See application file for complete search history.

(56) **References Cited**

U.S. PATENT DOCUMENTS

D685,358 S * 7/2013 Armstrong D14/250
D753,641 S * 4/2016 Roberts D14/250
D765,632 S * 9/2016 Northrup D14/250
D766,819 S * 9/2016 Gjovik D13/103

D768,123 S * 10/2016 Armstrong D14/250
D794,626 S * 8/2017 Armstrong D14/250
D838,262 S * 1/2019 Witter D14/250
D841,639 S * 2/2019 Liao D14/250
D861,665 S * 10/2019 Li D14/250
D863,286 S * 10/2019 Hong D14/250
D868,053 S * 11/2019 Gao D14/250
D868,791 S * 12/2019 Weng D14/440
D878,346 S * 3/2020 Kim D14/250
D894,888 S * 9/2020 Jakobuco D14/250
D896,212 S * 9/2020 Wang D14/250
D896,804 S * 9/2020 Lin D14/250
D898,728 S * 10/2020 Lin D14/250
D898,747 S * 10/2020 Deng D14/440

(Continued)

Primary Examiner — Carla J Wright

(74) *Attorney, Agent, or Firm* — Banner & Witcoff, Ltd.

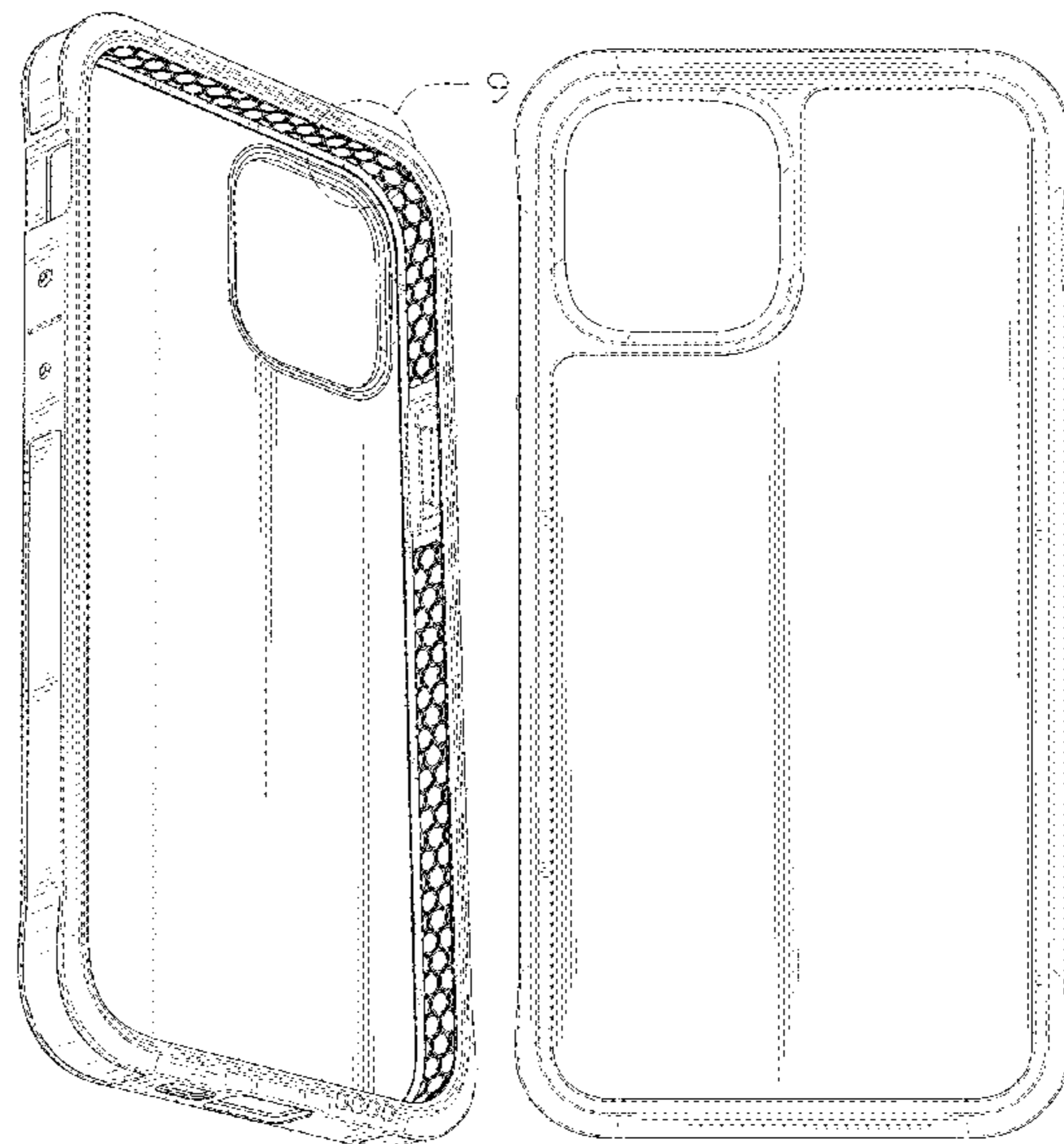
(57) **CLAIM**

The ornamental design for an mobile phone protection shell, as shown and described.

DESCRIPTION

FIG. 1 is a front, left, top perspective view of a mobile phone protection shell showing our new design;
FIG. 2 is a rear, right, bottom perspective view thereof;
FIG. 3 is a front elevation view thereof;
FIG. 4 is a rear elevation view thereof;
FIG. 5 is a left side view thereof;
FIG. 6 is a right side view thereof;
FIG. 7 is a top view thereof;
FIG. 8 is a bottom view thereof; and,
FIG. 9 is an enlarged view of portion 9 of FIG. 2.
The dot-dash broken lines in FIGS. 2 and 9 form no part of the claimed design and delineate a portion of the mobile phone protection shell that is part of the claimed design and that is shown on an enlarged scale in FIG. 9. The dashed broken lines throughout the drawing figures form no part of the claimed design and depict portions of the mobile phone protection shell that form no part of the claimed design.

1 Claim, 9 Drawing Sheets



(56)

References Cited

U.S. PATENT DOCUMENTS

D903,647 S * 12/2020 Lin D14/250
D907,618 S * 1/2021 Rodriguez D14/250
2017/0047961 A1* 2/2017 Gandhi H04B 1/3888
2018/0098610 A1* 4/2018 Corraliza A45C 11/00
2018/0359343 A1* 12/2018 Lee G02F 1/167

* cited by examiner

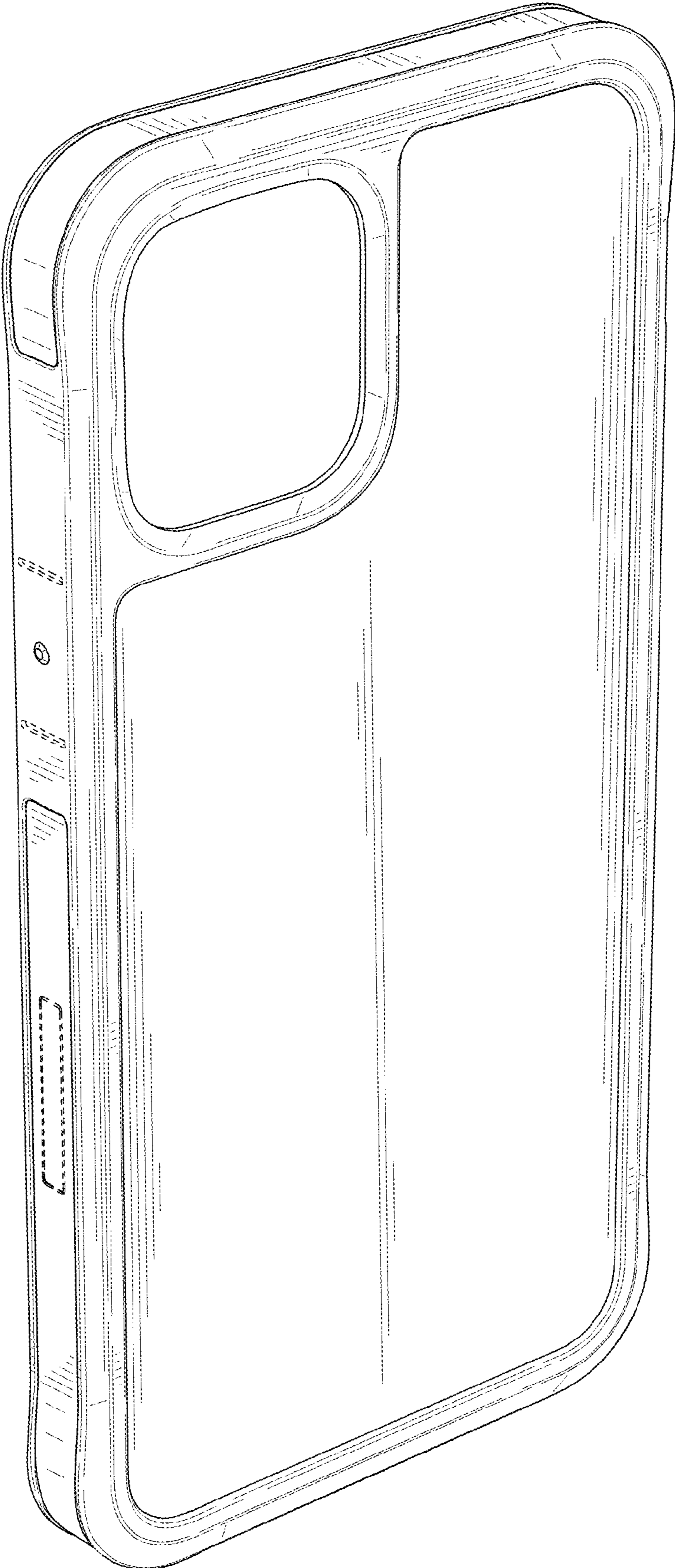


FIG. 1

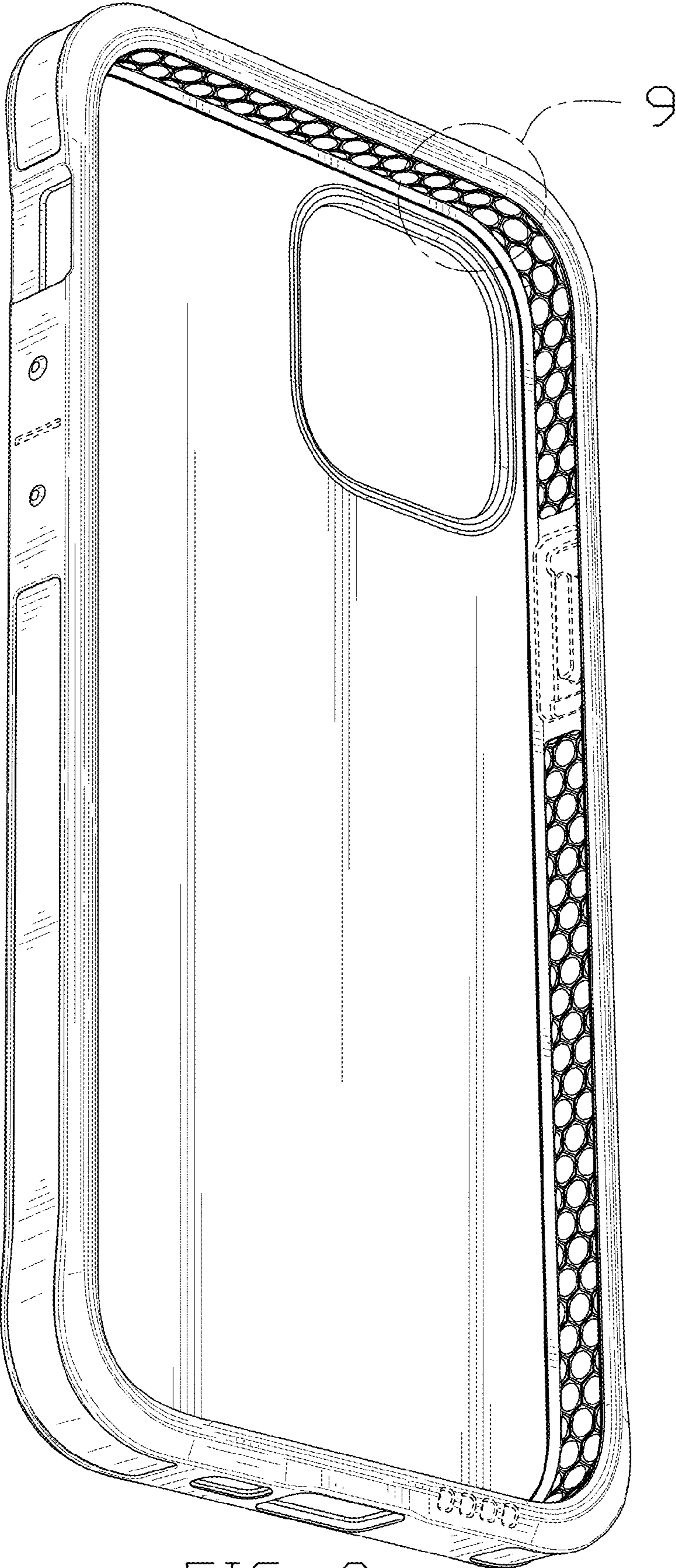


FIG. 2

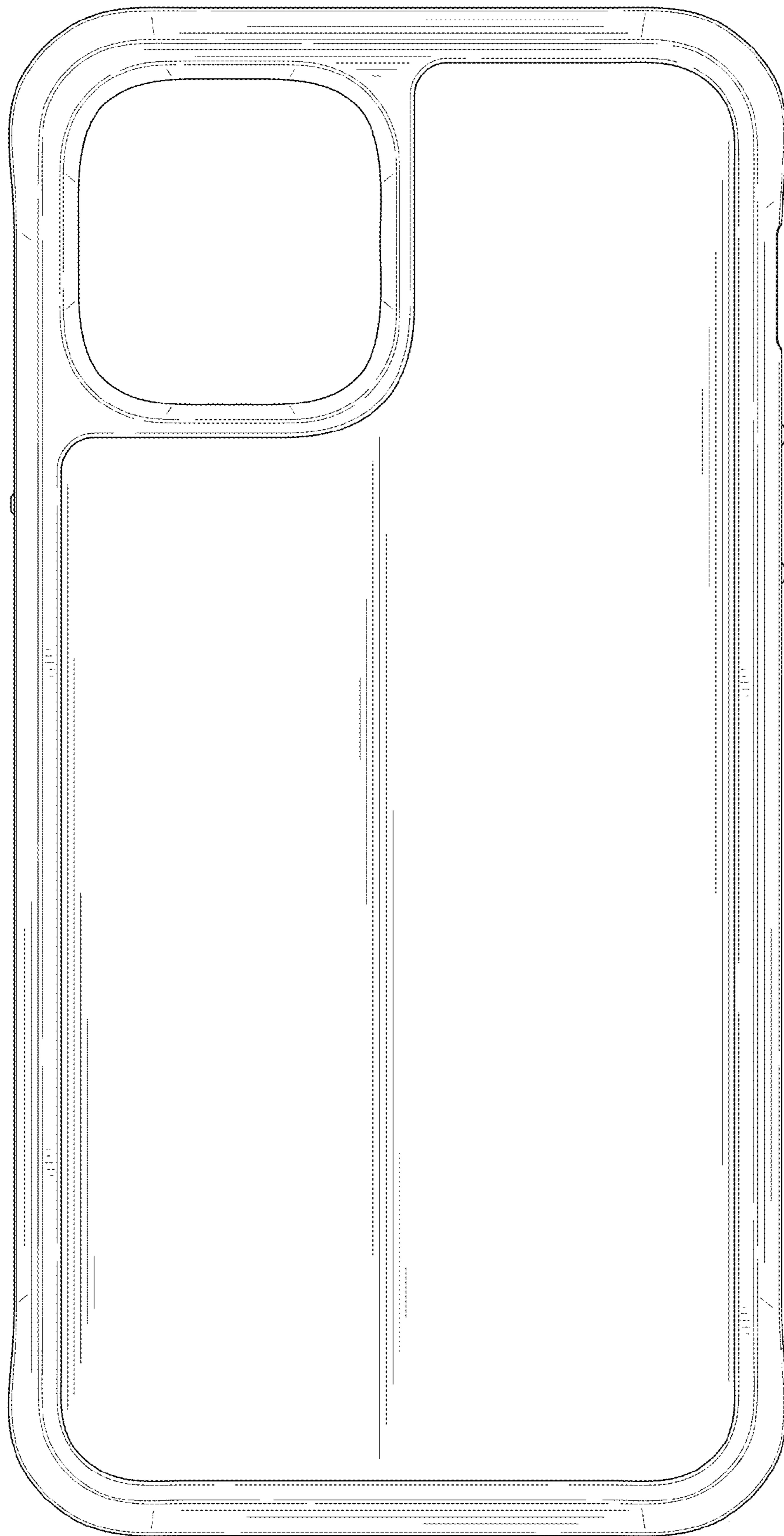


FIG. 3

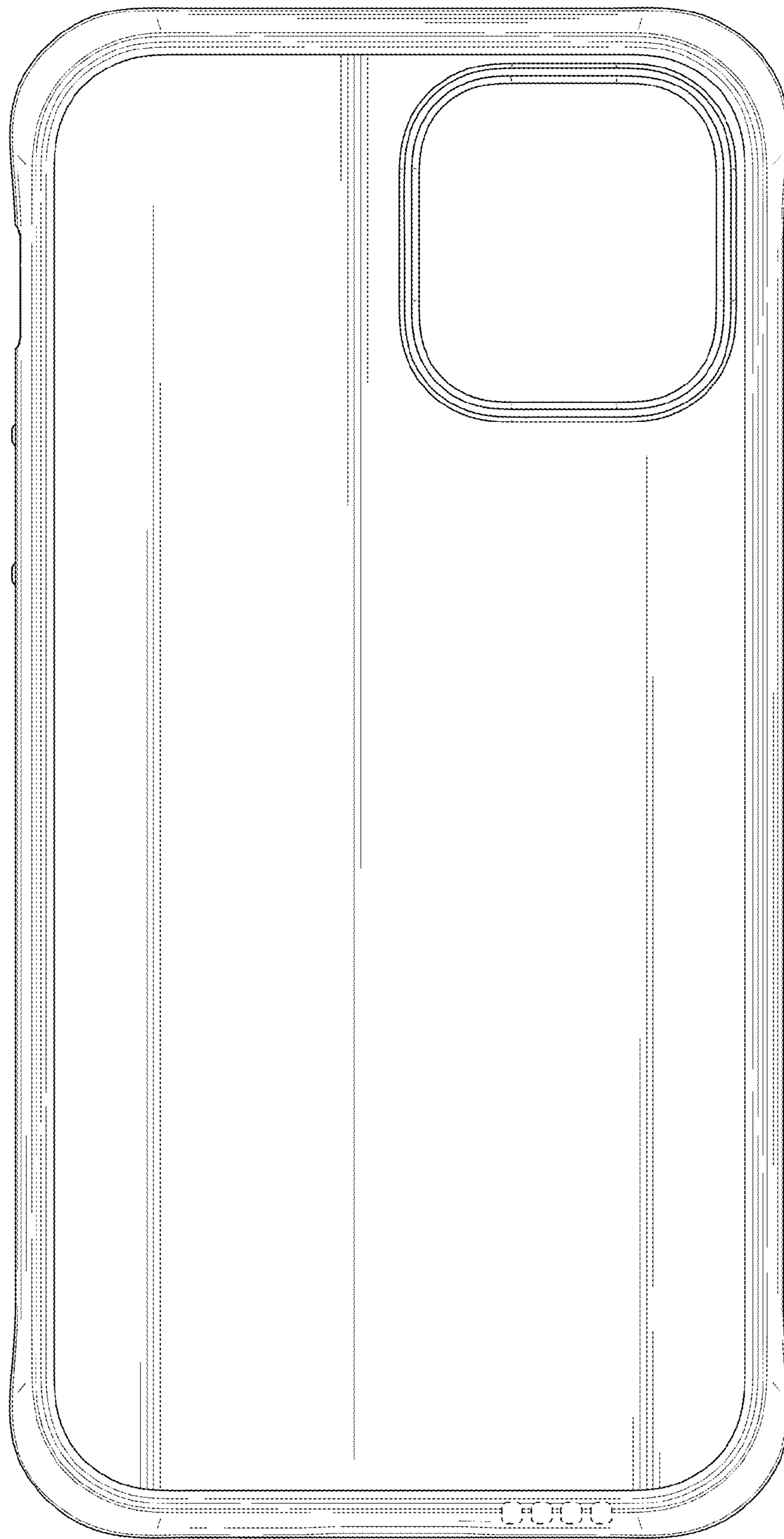


FIG. 4

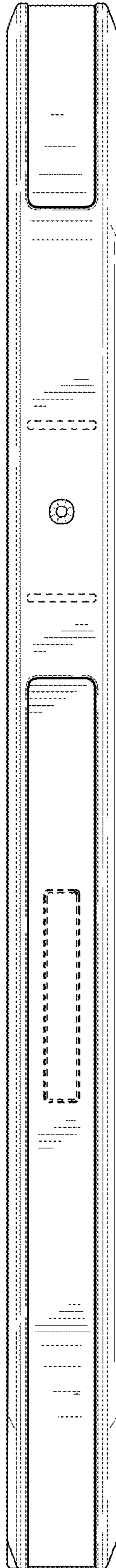


FIG. 5

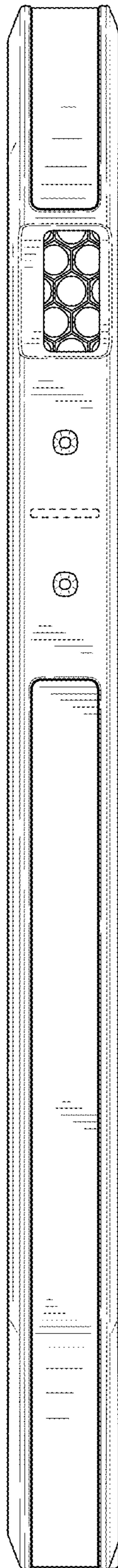


FIG. 6

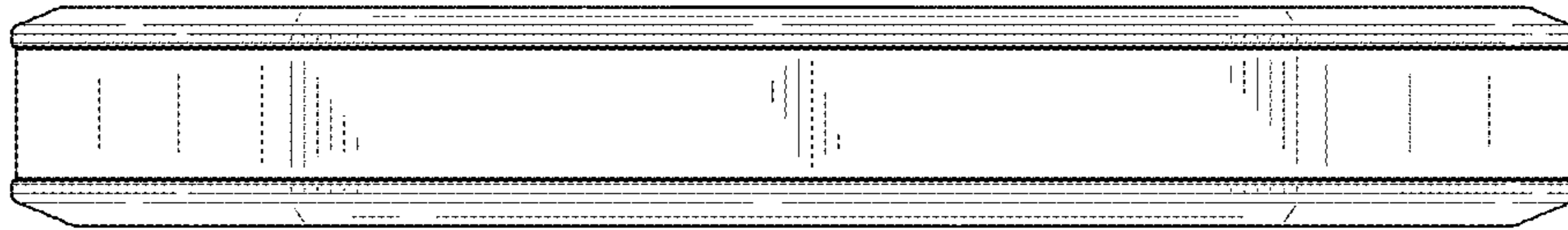


FIG. 7

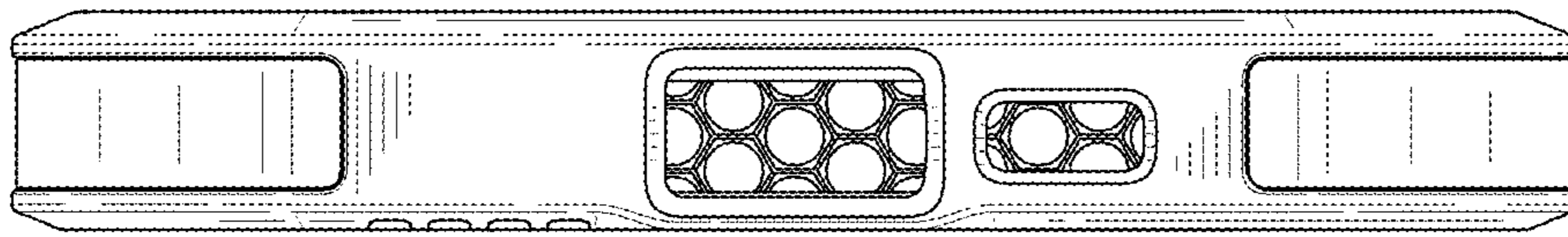


FIG. 8

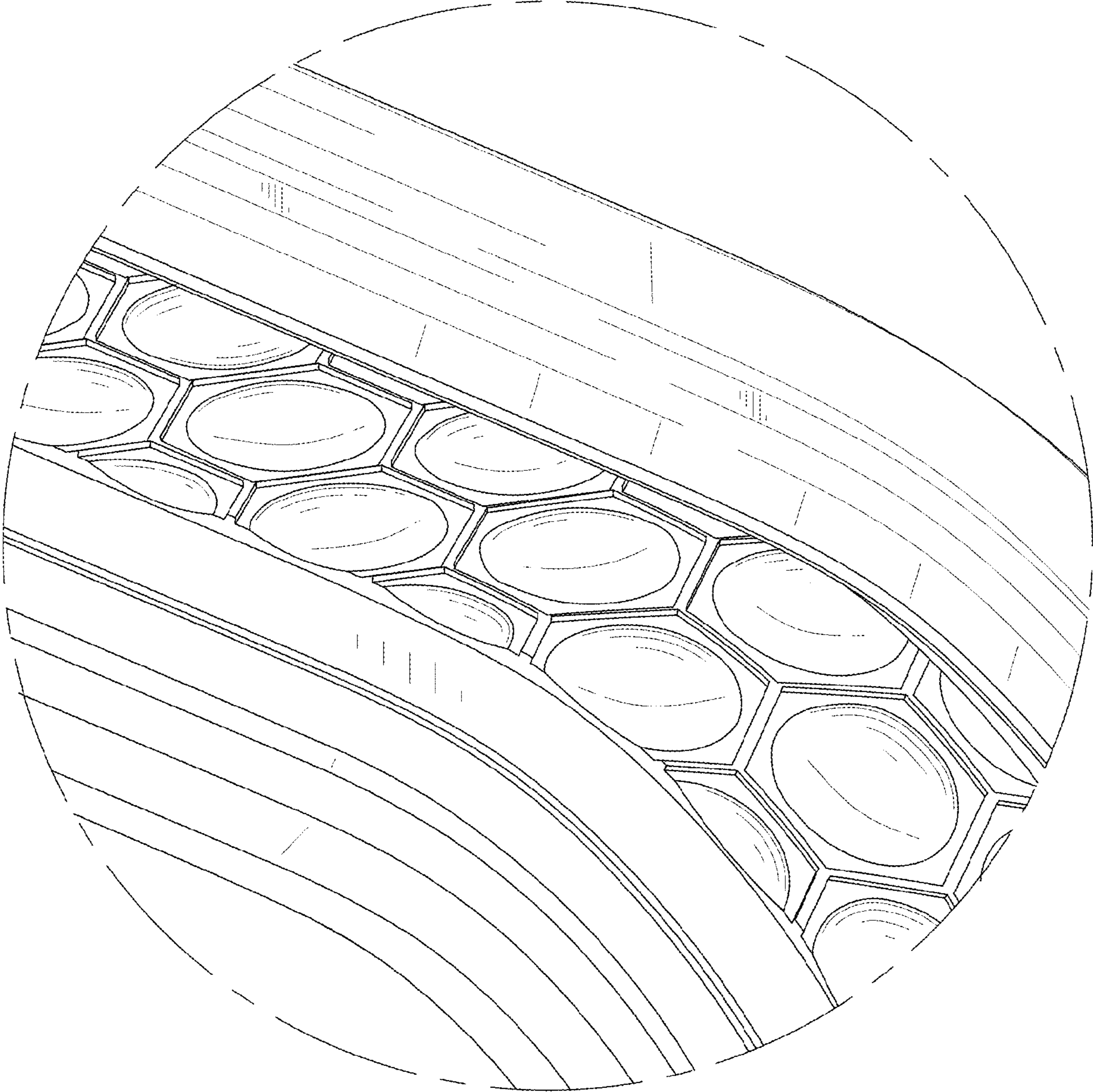


FIG. 9