



US00D945988S

(12) **United States Design Patent**  
**Armstrong**

(10) **Patent No.:** **US D945,988 S**  
(45) **Date of Patent:** **\*\* Mar. 15, 2022**

(54) **FOLDABLE CASE FOR A MOBILE DEVICE**

D903,621 S \* 12/2020 Kim ..... D14/138 AB  
D905,675 S \* 12/2020 Lee ..... D14/250  
D910,004 S \* 2/2021 Lee ..... D14/250

(71) Applicant: **Urban Armor Gear, LLC**, Laguna Niguel, CA (US)

(Continued)

(72) Inventor: **Steven Armstrong**, San Juan Capistrano, CA (US)

**OTHER PUBLICATIONS**

(73) Assignee: **URBAN ARMOR GEAR, LLC**, Laguna Niguel, CA (US)

“Urban Armor Gear UAG Samsung Galaxy Fold Monarch Feather-Light Rugged [Black] Military Drop Tested Phone Case” [online]. Urban Armor Gear. [Product first available on Dec. 17, 2019]. Retrieved from the Internet: <<https://www.amazon.com/dp/B07T889SFZ>>.\*

(\*\*) Term: **15 Years**

(Continued)

(21) Appl. No.: **29/688,839**

(22) Filed: **Apr. 24, 2019**

*Primary Examiner* — Mojtaba Tehrani

(51) **LOC (13) Cl.** ..... **14-03**

(74) *Attorney, Agent, or Firm* — K&L Gates LLP; Brian J. Novak; Georgia N. Kefallinos

(52) **U.S. Cl.**

USPC ..... **D14/250**

(58) **Field of Classification Search**

USPC .... D14/217, 238.1, 240, 248, 250, 251–253, D14/439, 440, 447; D13/107–108, 103, D13/119; D3/201, 269, 273, 301, 218, D3/247, 303

CPC ..... H04B 1/3888; H04M 1/0283; H04M 1/0202; A45C 1/06; A45C 11/00; A45C 13/02; A45C 2011/002; A45F 2005/026; A45F 2200/0525; A45F 2200/0516

See application file for complete search history.

(57) **CLAIM**

The ornamental design for a foldable case for a mobile device, as shown and described.

**DESCRIPTION**

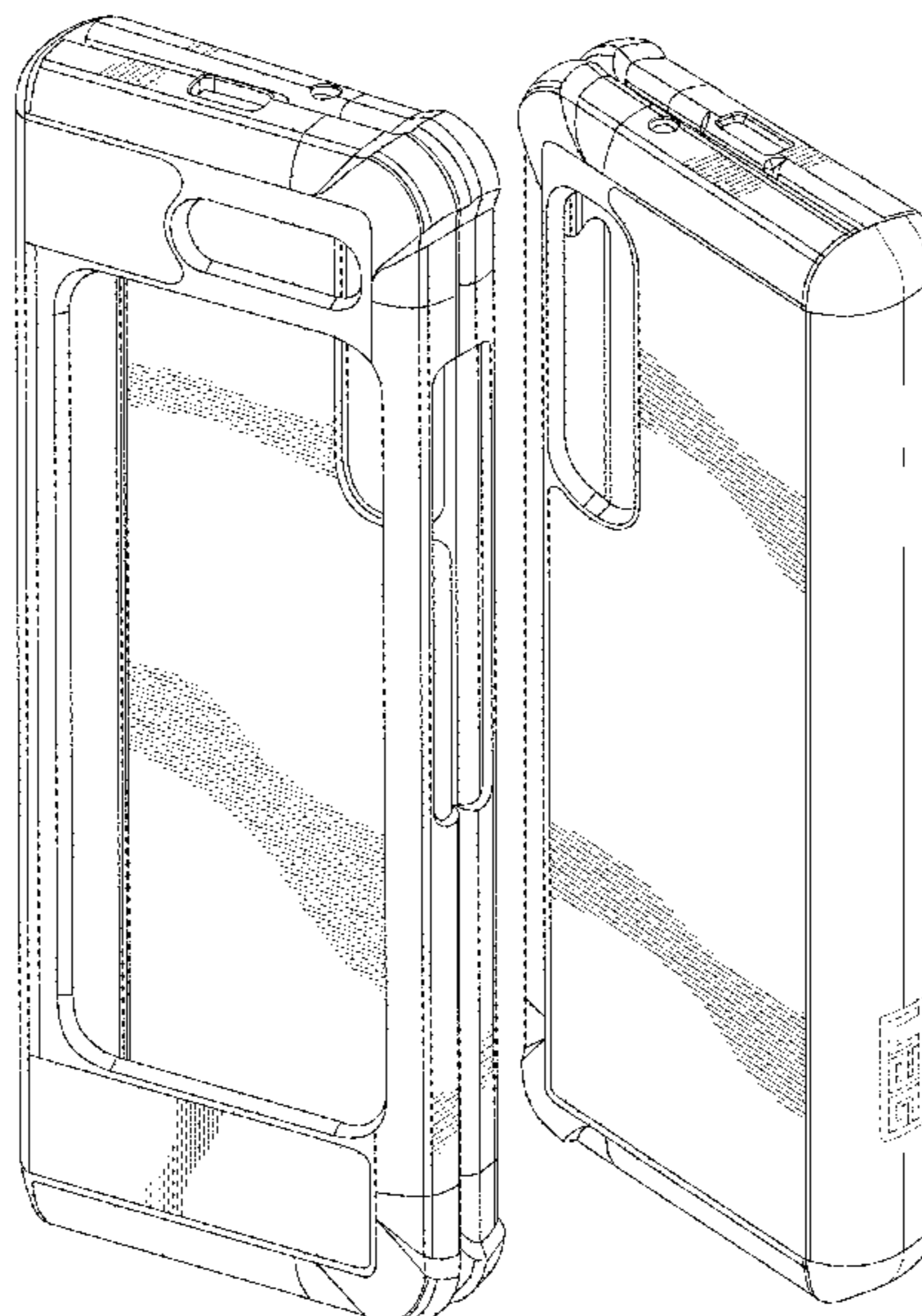
FIG. 1 is a front-right perspective view of a foldable case for a mobile device, shown in closed configuration. FIG. 2 is a front-left perspective view of the case of FIG. 1. FIG. 3 is a rear-right perspective view of the case of FIG. 1. FIG. 4 is a rear-left perspective view of the case of FIG. 1. FIG. 5 is a front elevation view of the case of FIG. 1. FIG. 6 is a rear elevation view of the case of FIG. 1. FIG. 7 is a right side elevation view of the case of FIG. 1. FIG. 8 is a left side elevation view of the case of FIG. 1. FIG. 9 is a top plan view of the case of FIG. 1; and, FIG. 10 is a bottom plan view of the case of FIG. 1. The evenly broken line in the drawings depicts unclaimed portion of the case only and form no part of the claimed design.

(56) **References Cited**

**U.S. PATENT DOCUMENTS**

9,887,722 B2 \* 2/2018 Moon ..... H04B 1/3877  
D820,353 S \* 6/2018 Choi ..... D18/50  
10,005,588 B2 \* 6/2018 Kanbar ..... B65D 43/162  
10,024,090 B2 \* 7/2018 Tazbaz ..... G06F 1/1681  
D877,136 S \* 3/2020 Lee ..... D14/250  
D879,084 S \* 3/2020 Lee ..... D14/250  
D879,764 S \* 3/2020 Lee ..... D14/250  
D896,214 S \* 9/2020 Lee ..... D14/250  
D899,412 S \* 10/2020 Lee ..... D14/250

**1 Claim, 7 Drawing Sheets**



(56)

**References Cited**

U.S. PATENT DOCUMENTS

D915,385 S *	4/2021	Lee .....	D14/250
2013/0342090 A1 *	12/2013	Ahn .....	G06F 1/1616
			312/258
2015/0281414 A1 *	10/2015	Michino .....	H04M 1/185
			455/575.3
2016/0139634 A1 *	5/2016	Cho .....	G06F 1/1652
			361/679.27
2016/0147267 A1 *	5/2016	Campbell .....	H04M 1/0216
			361/679.27
2016/0187935 A1 *	6/2016	Tazbaz .....	G06F 1/163
			361/679.03
2016/0215541 A1 *	7/2016	Tazbaz .....	H04M 1/022
2020/0012324 A1 *	1/2020	Sung .....	G06T 7/70

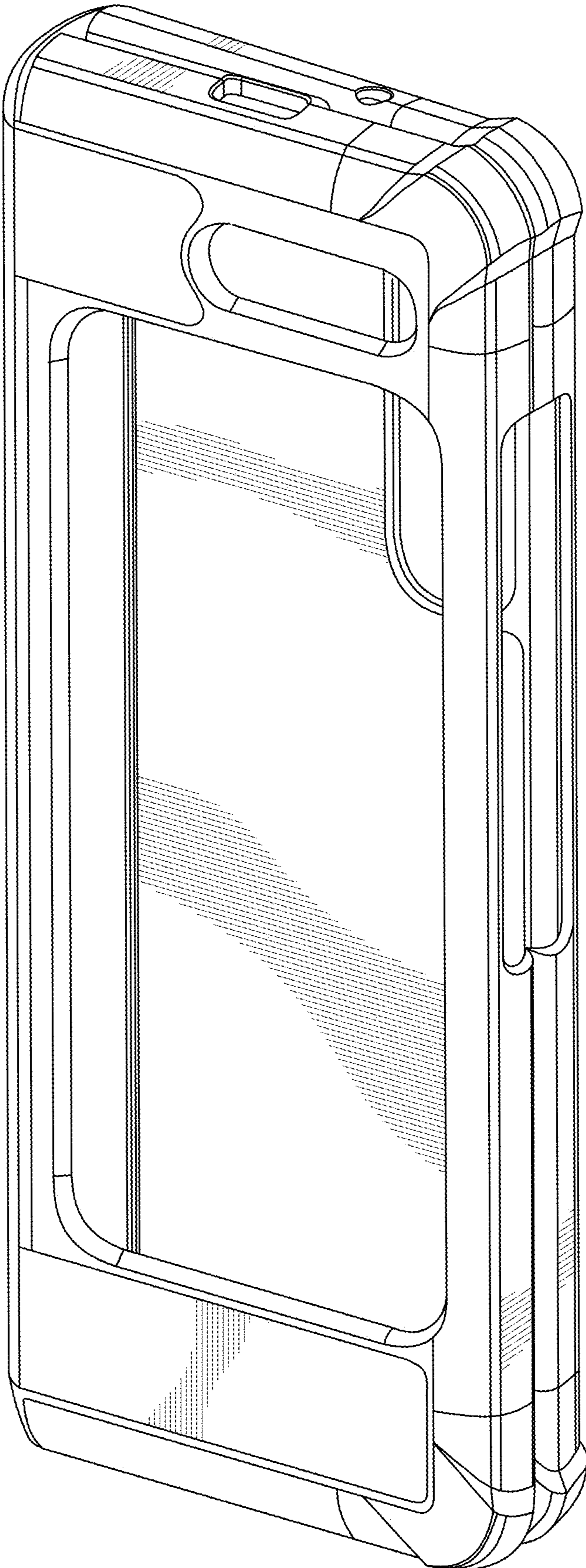
OTHER PUBLICATIONS

“Spigen Tough Armor Designed for Samsung Galaxy Fold Case (2019)—Satin Silver” [online]. Spigen. [Product first available on Feb. 27, 2019]. Retrieved from the Internet: <<https://www.amazon.com/dp/B07P9TMV6B>>.\*

“Spigen Thin Fit Designed for Samsung Galaxy Fold Case (2019)—Satin Silver” [online]. Spigen. [Product first available on Feb. 27, 2019]. Retrieved from the Internet: <<https://www.amazon.com/dp/B07P7SB2QZ>>.\*

“Notice of Decision to Grant Received for China Design Application No. 2019305802093, dated Apr. 16, 2020, 2 Pages.”

\* cited by examiner



*FIG. 1*

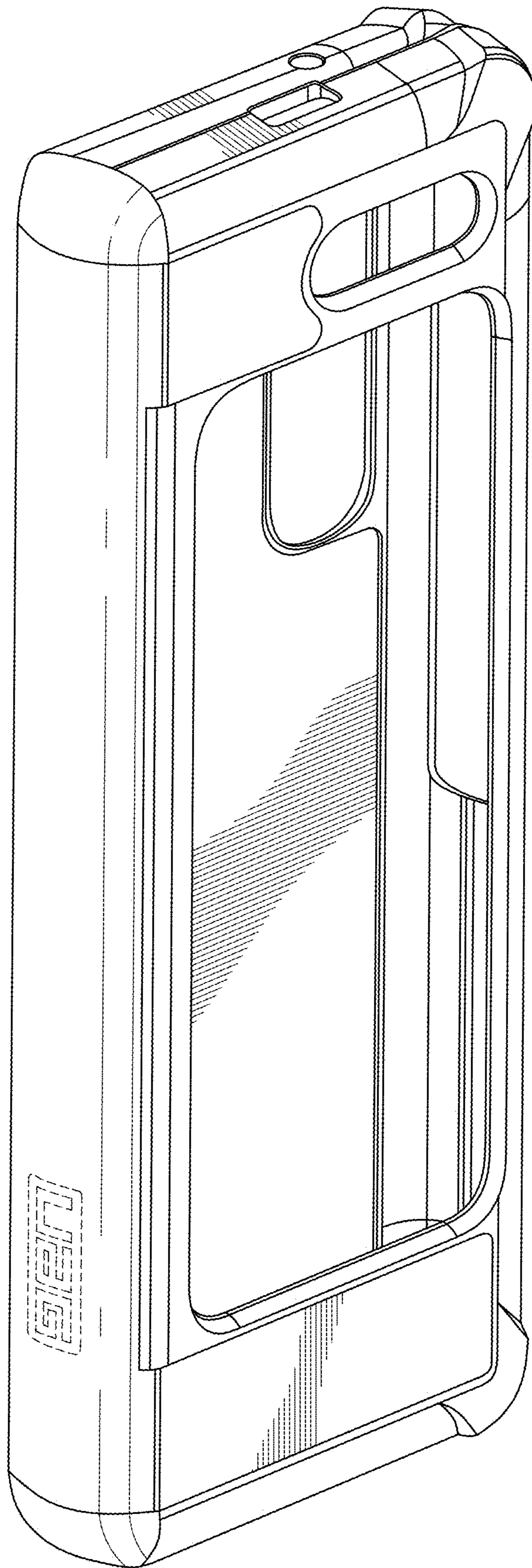
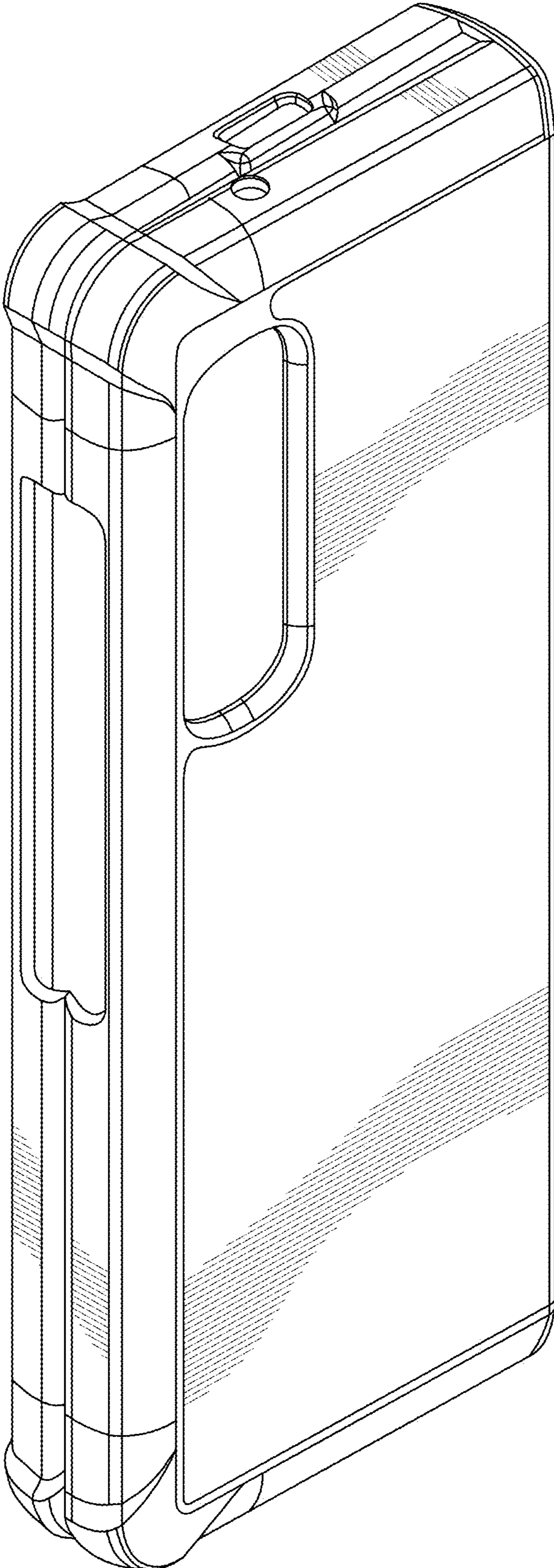
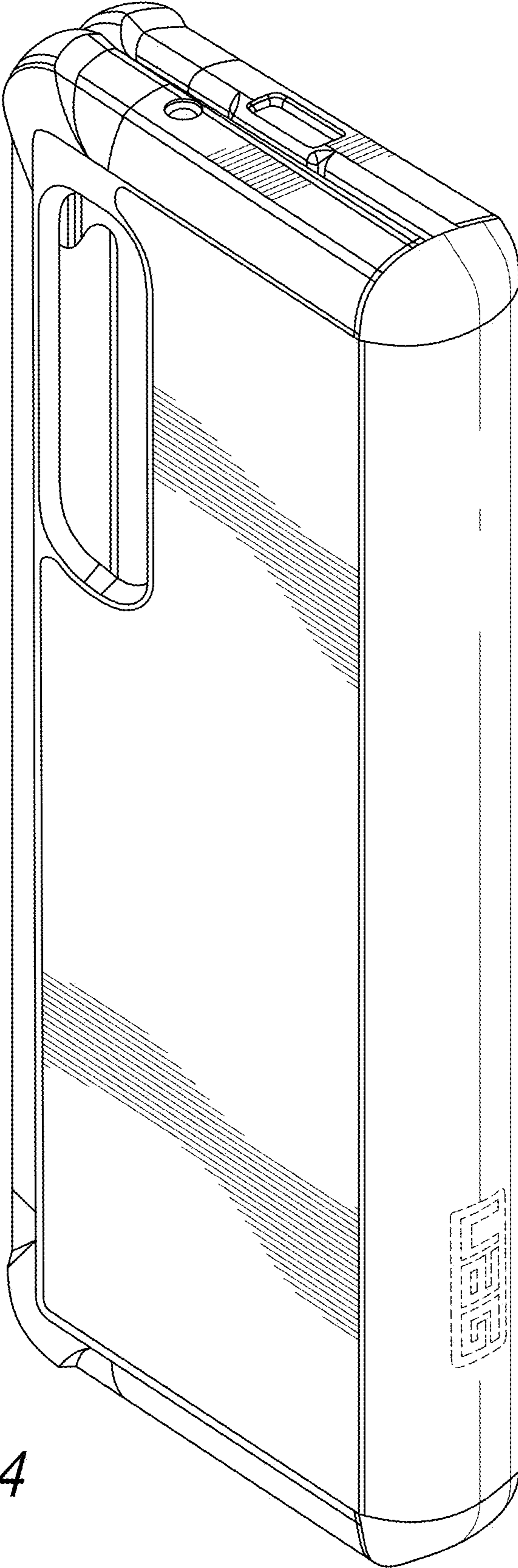


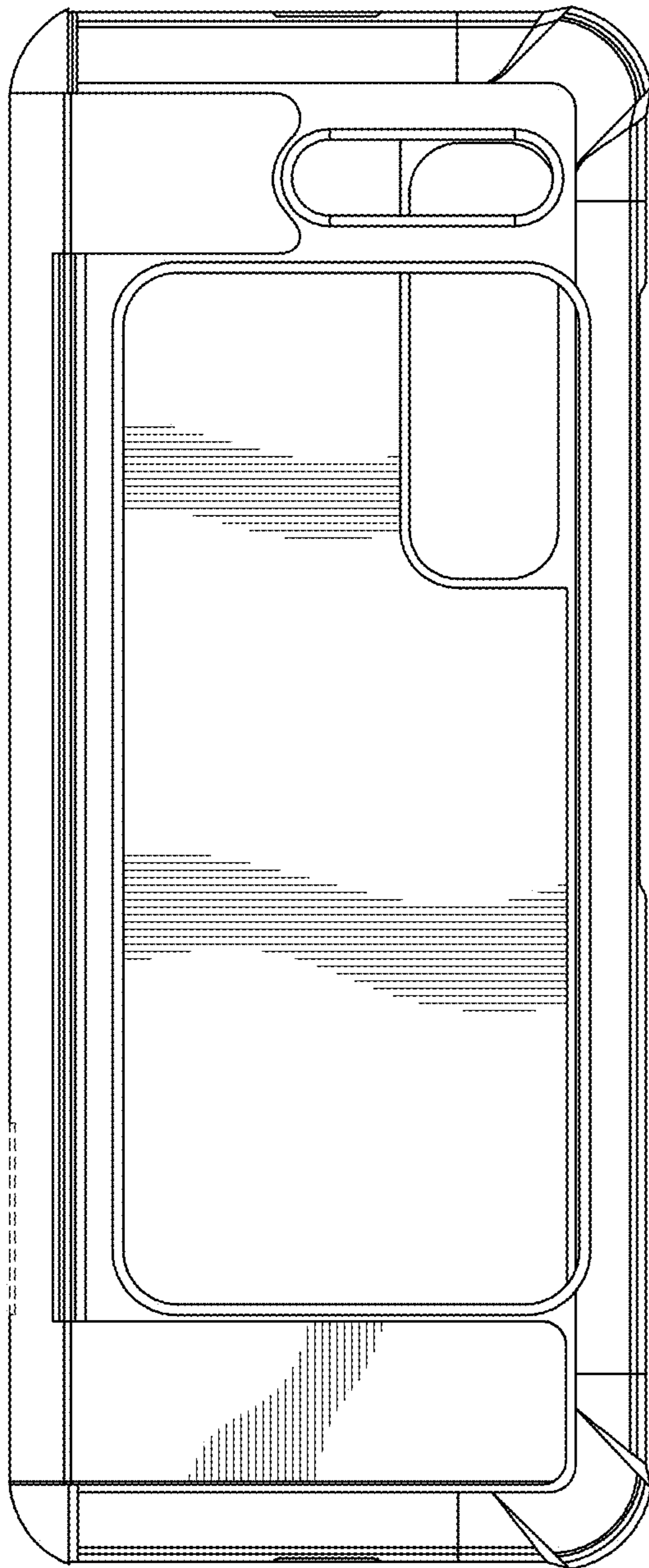
FIG. 2



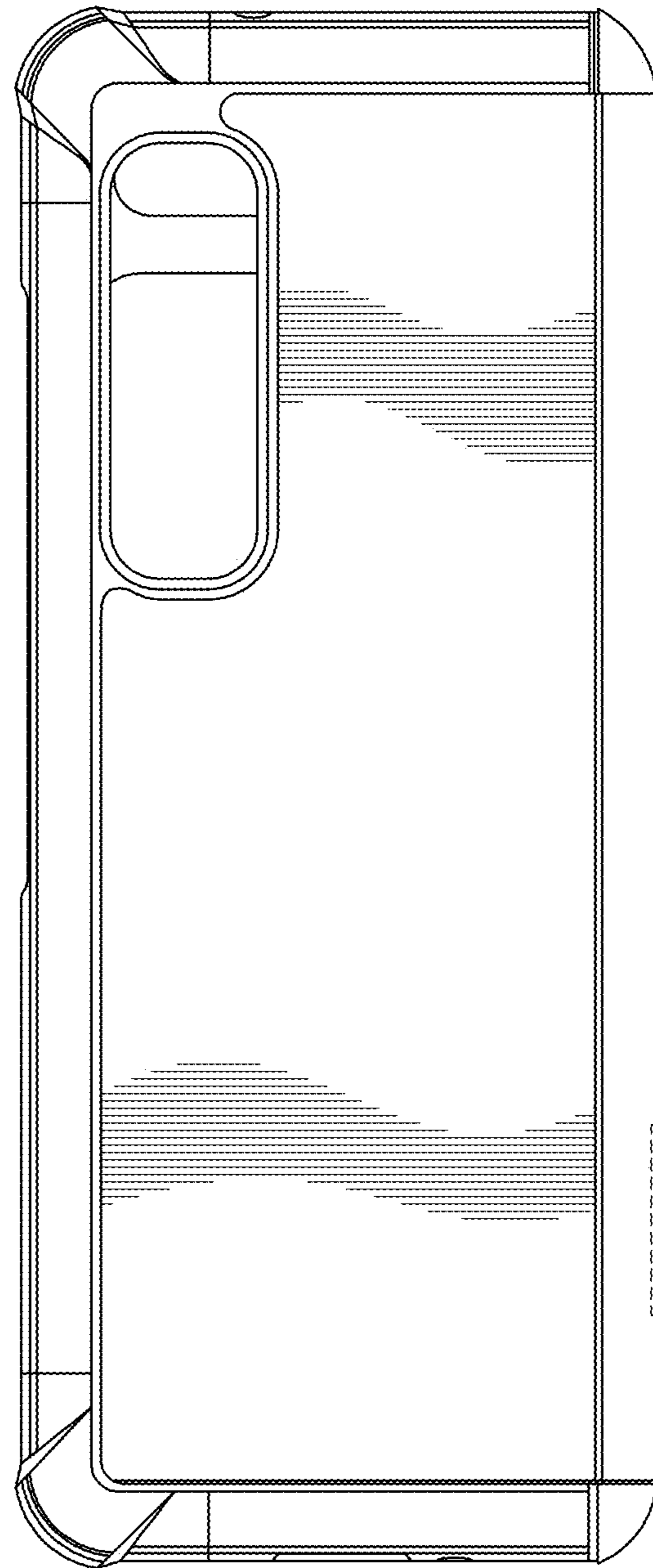
*FIG. 3*



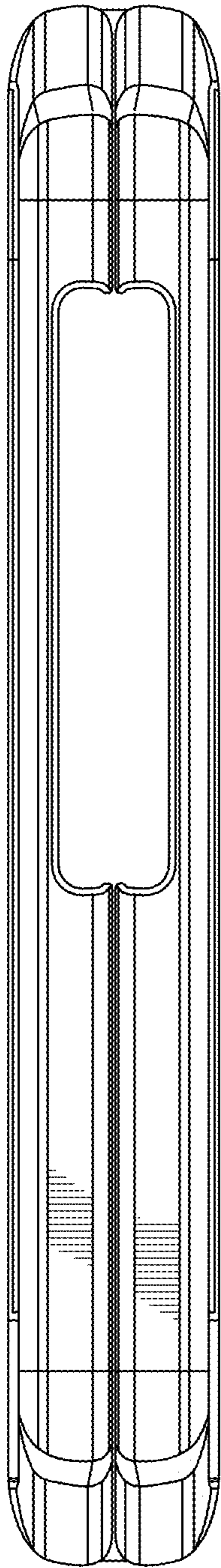
*FIG. 4*



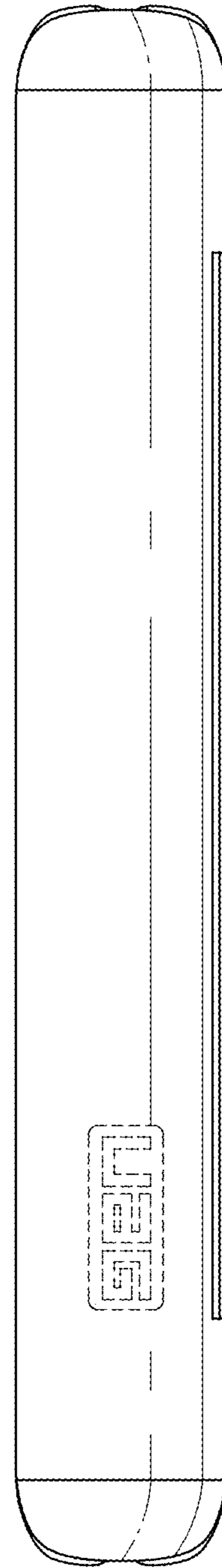
*FIG. 5*



*FIG. 6*

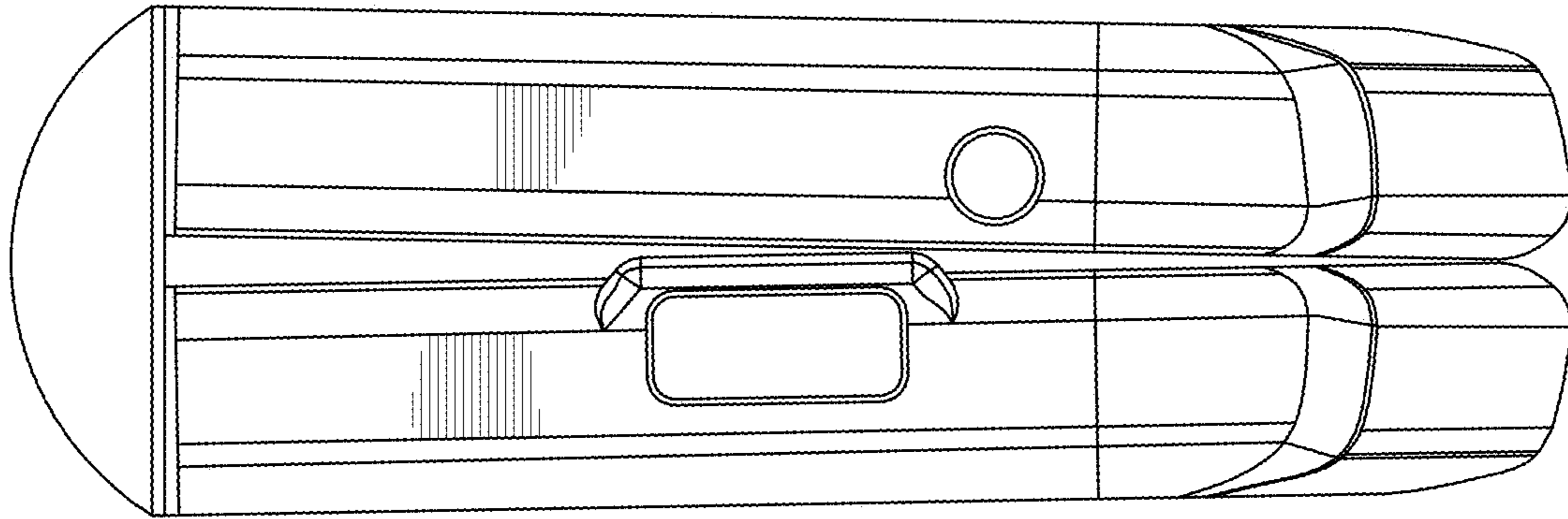


*FIG. 7*

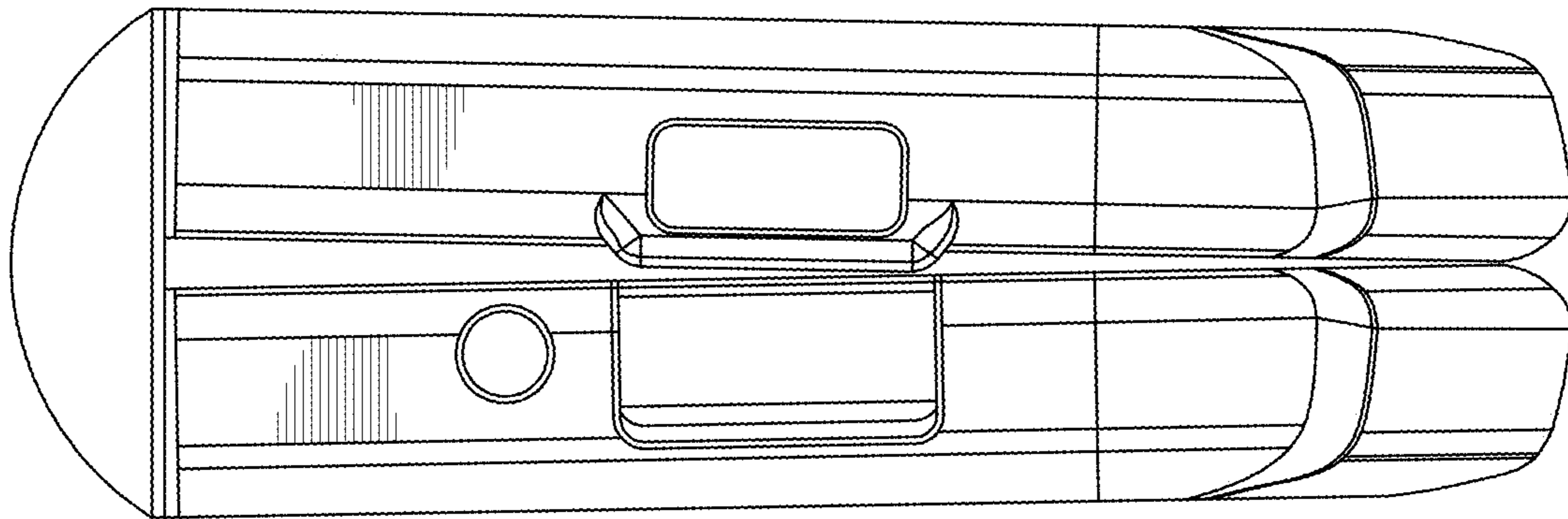


*FIG. 8*





*FIG. 9*



*FIG. 10*