



US00D945984S

(12) **United States Design Patent**
Huang

(10) **Patent No.:** **US D945,984 S**

(45) **Date of Patent:** **** Mar. 15, 2022**

(54) **REMOTE CONTROL**

(71) Applicant: **Jufei Huang**, Shaoxing (CN)

(72) Inventor: **Jufei Huang**, Shaoxing (CN)

(**) Term: **15 Years**

(21) Appl. No.: **29/780,565**

(22) Filed: **Apr. 26, 2021**

(51) **LOC (13) Cl.** **14-03**

(52) **U.S. Cl.**
USPC **D14/218; D13/168**

(58) **Field of Classification Search**
USPC D14/218; D13/168
CPC H01H 9/0235; A61B 5/00
See application file for complete search history.

(56) **References Cited**

U.S. PATENT DOCUMENTS

D515,072 S *	2/2006	Lee	D14/218
D531,136 S *	10/2006	Schoenert	D13/168
D618,217 S *	6/2010	Harden et al.	D14/218
D641,717 S *	7/2011	Nan	D13/168
D645,848 S *	9/2011	Arnholt	D14/218
D714,762 S *	10/2014	O'Neil	D14/218
D742,857 S *	11/2015	Andresen	D14/218
D760,700 S *	7/2016	Peh	D14/218
D801,311 S *	10/2017	Akana	D14/218
D828,336 S *	9/2018	Matvienko	D14/218
D850,413 S *	6/2019	Tu	D14/218
D856,310 S *	8/2019	Lu	D14/218
D873,245 S *	1/2020	Russo	D14/218

D880,456 S *	4/2020	Russo	D14/218
D903,609 S	12/2020	Chretien et al.		
2003/0018397 A1 *	1/2003	Chanu	700/17
2010/0310914 A1 *	12/2010	Maier	H01H 9/0235 429/97

FOREIGN PATENT DOCUMENTS

CN	304829665	*	9/2018
CN	306777816	*	4/2021

* cited by examiner

Primary Examiner — John R Yeh

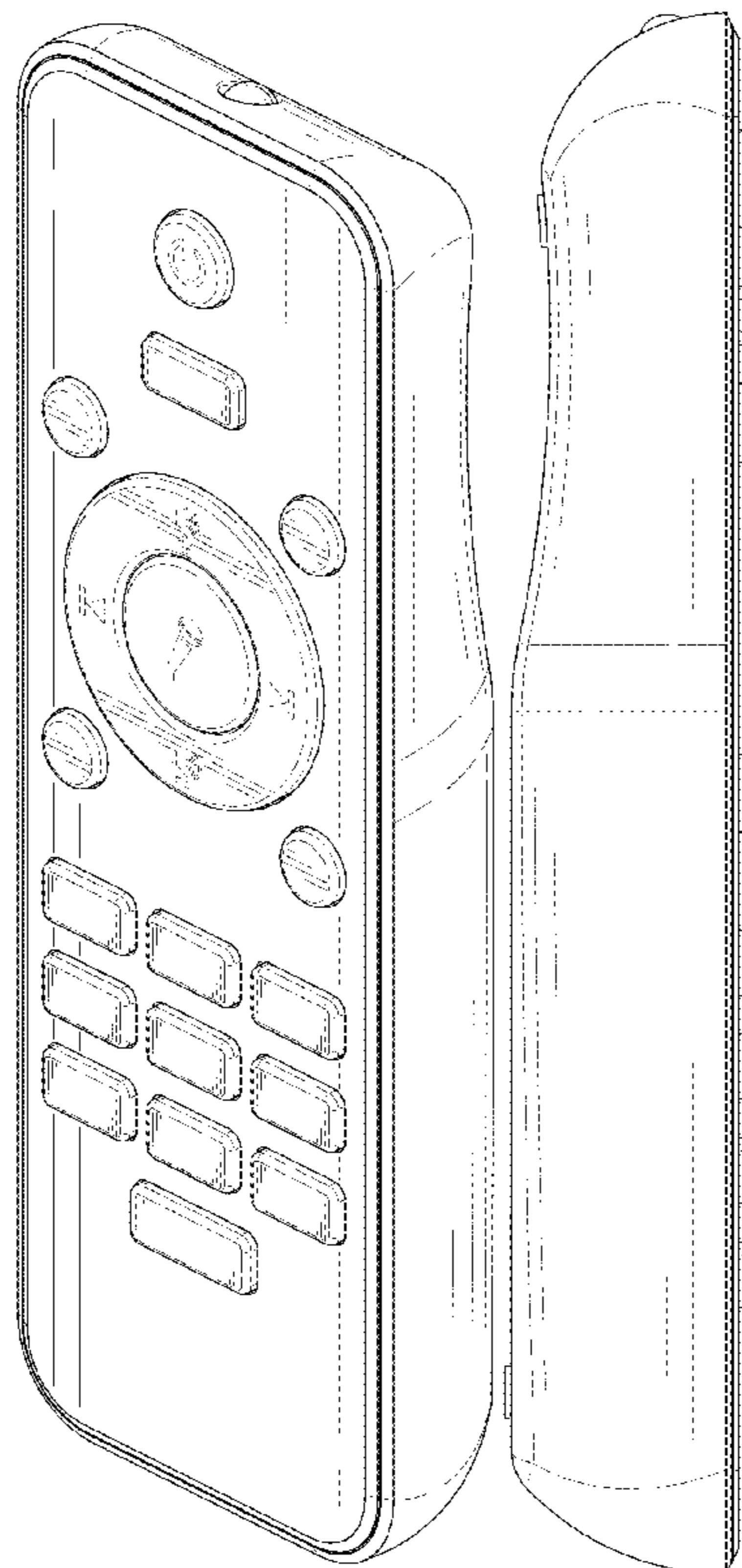
(57) **CLAIM**

The ornamental design for a remote control, as shown and described.

DESCRIPTION

FIG. 1 is a front and top perspective view of a remote control, showing my new design;
 FIG. 2 is a rear and bottom perspective view thereof;
 FIG. 3 is a front elevation view thereof;
 FIG. 4 is a rear elevation view thereof;
 FIG. 5 is a left side elevation view thereof;
 FIG. 6 is a right side elevation view thereof;
 FIG. 7 is a top plan view thereof; and,
 FIG. 8 is a bottom plan view thereof.
 The broken lines in the figures illustrate portions of the remote control that form no part of the claimed design.

1 Claim, 8 Drawing Sheets



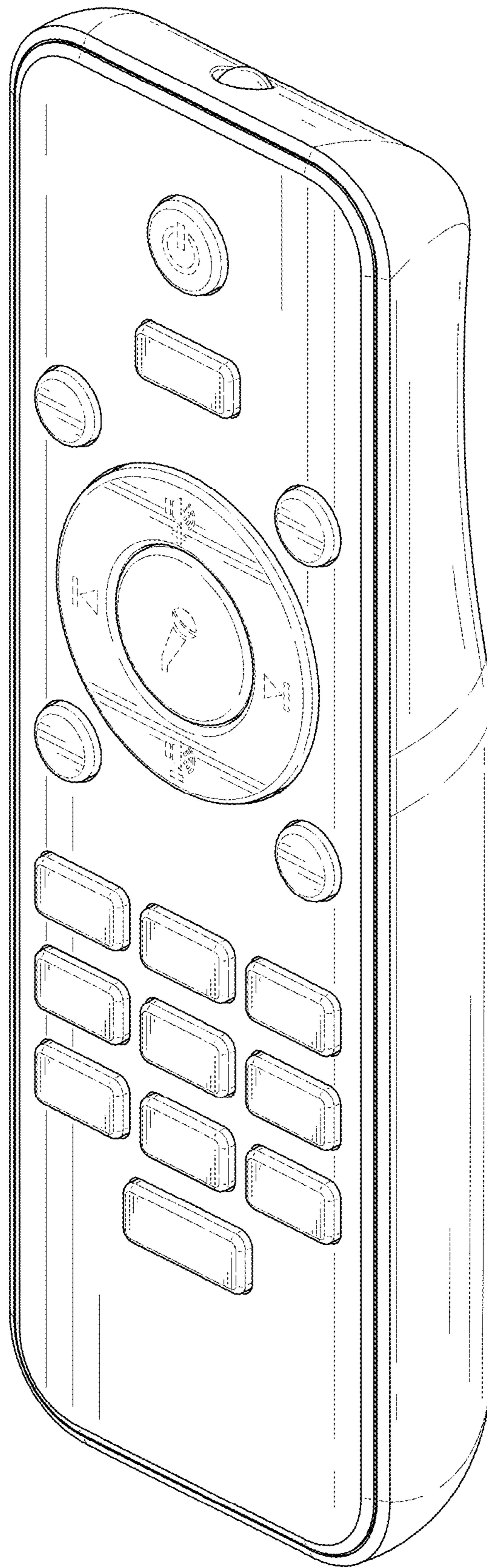


FIG. 1

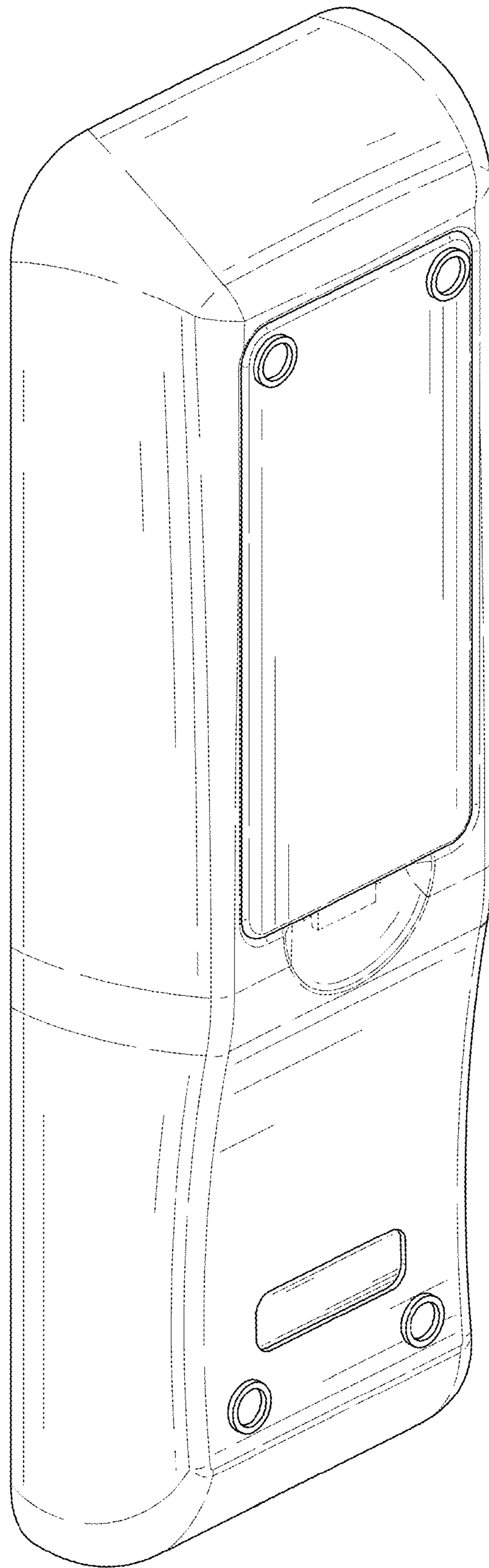


FIG. 2

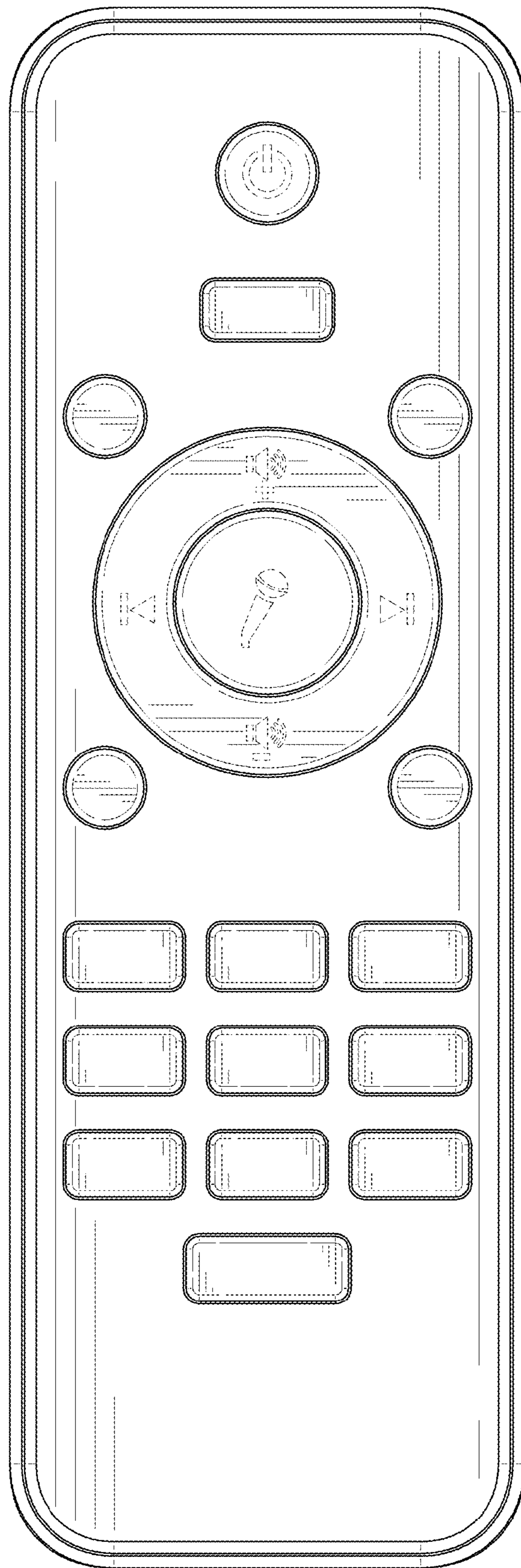


FIG. 3

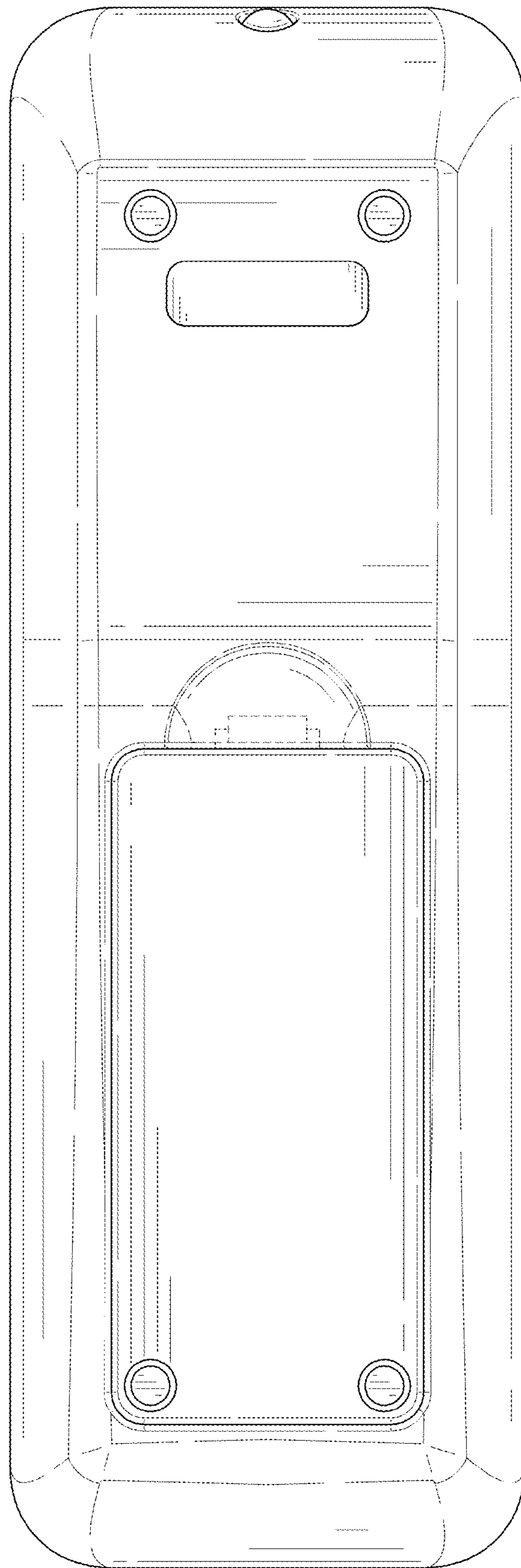


FIG. 4

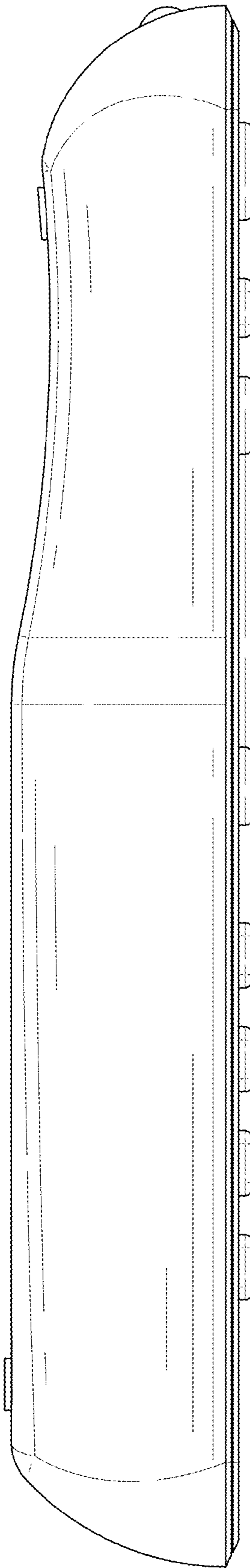


FIG. 5

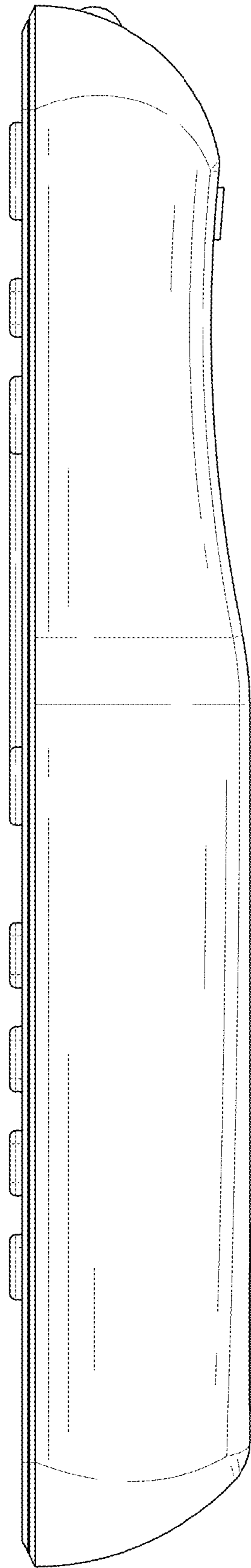


FIG. 6

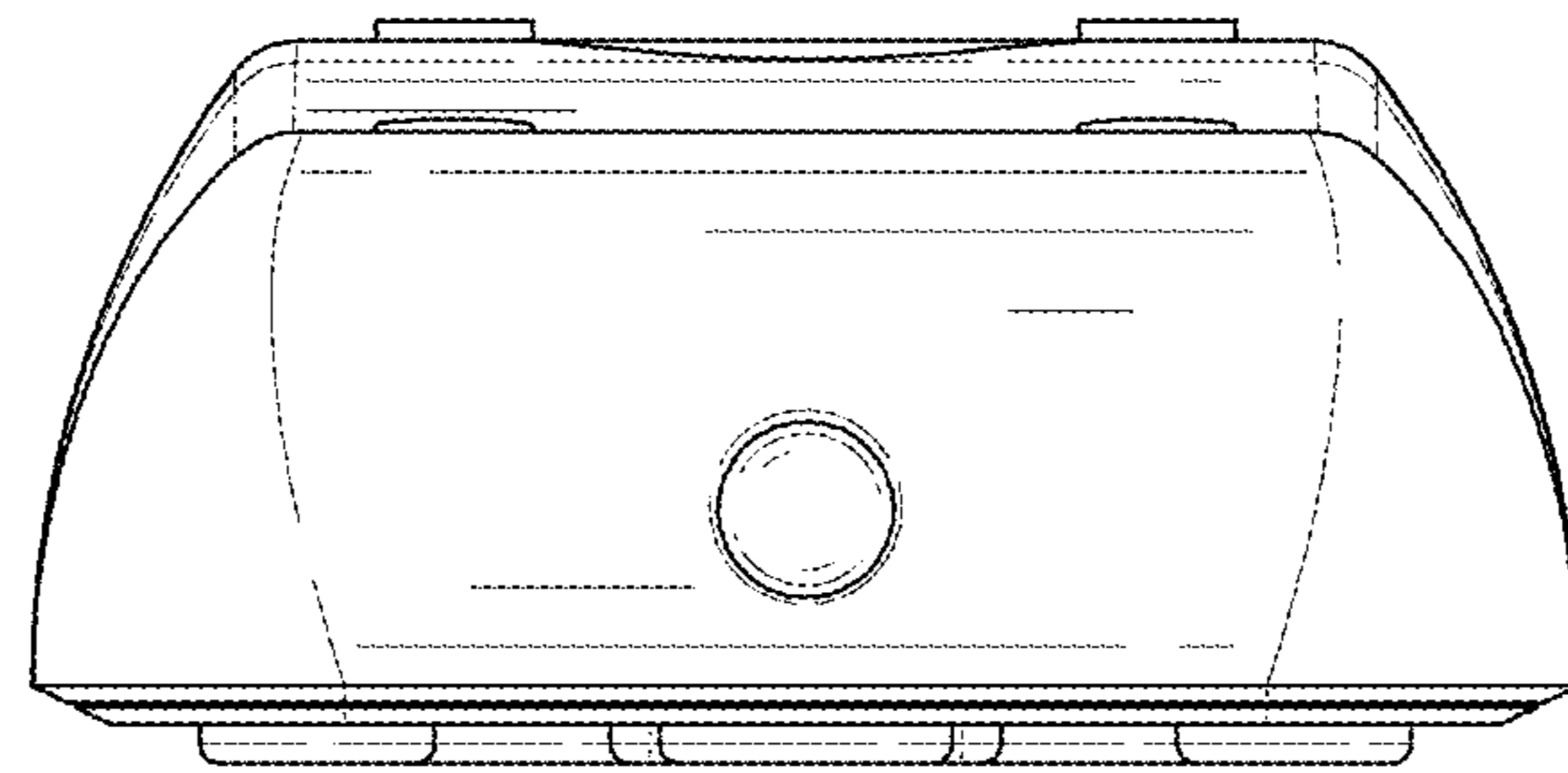


FIG. 7

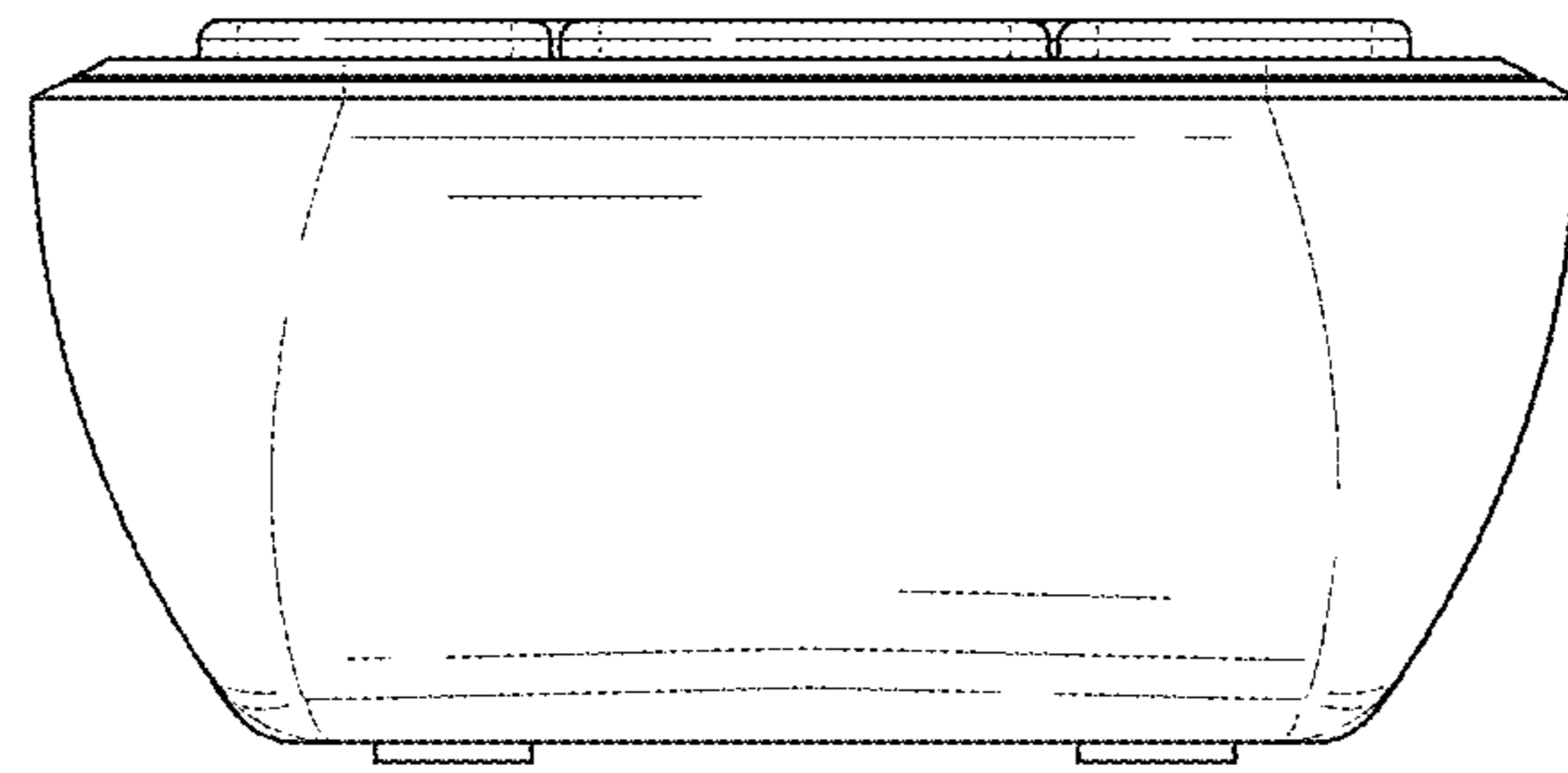


FIG. 8