



US00D945982S

(12) **United States Design Patent**
Endo et al.

(10) **Patent No.:** **US D945,982 S**
(45) **Date of Patent:** **** Mar. 15, 2022**

- (54) **IN-CAR SPEAKER**
- (71) Applicant: **ALPINE ELECTRONICS, INC.**,
Tokyo (JP)
- (72) Inventors: **Hideki Endo**, Tokyo (JP); **Hiroshi Fujimoto**, Tokyo (JP)
- (73) Assignee: **ALPINE ELECTRONICS, INC.**,
Tokyo (JP)
- (**) Term: **15 Years**
- (21) Appl. No.: **29/729,405**
- (22) Filed: **Mar. 26, 2020**
- (51) **LOC (13) Cl.** **14-01**
- (52) **U.S. Cl.**
USPC **D14/210**; D14/219; D14/222
- (58) **Field of Classification Search**
USPC D14/210, 219, 222, 204, 265, 217, 214,
D14/188, 192, 496, 240; D10/102, 49;
D13/101, 168, 184; 181/148, 150;
455/90.3, 575.1, 569.1
CPC . H05K 5/00; H05K 7/00; H04R 25/00; H04R
11/02; H04R 19/04; H04R 5/00; H04R
1/02; H04R 9/06
See application file for complete search history.

- (56) **References Cited**
U.S. PATENT DOCUMENTS
1,741,274 A * 12/1929 Baumann H04R 1/2819
181/156
3,033,913 A * 5/1962 Dietze H02G 3/16
174/60
D195,964 S * 8/1963 Spillman D14/225
D220,086 S * 3/1971 Benech D9/415
3,595,337 A * 7/1971 Furey H04R 1/021
181/155
4,144,416 A * 3/1979 Babb H04R 9/022
381/349

- 4,166,933 A * 9/1979 Cinquino H04R 1/025
181/159
- 4,244,096 A * 1/1981 Kashichi B23P 11/00
181/199
- 4,295,009 A * 10/1981 Weidler H04R 17/00
310/324
- D266,242 S * 9/1982 Radzelovage D14/225
- 4,429,247 A * 1/1984 Feldman H04R 17/00
310/322
- 4,437,380 A * 3/1984 Yamaguchi G10H 1/26
368/272
- 4,439,643 A * 3/1984 Schweizer H04R 1/021
181/153
- 4,465,905 A * 8/1984 Nation H04R 9/045
381/386
- 4,502,149 A * 2/1985 Gefvert B60R 11/0217
181/145
- D280,818 S * 10/1985 Clover, Jr. D14/215

(Continued)

FOREIGN PATENT DOCUMENTS

- CN 306885668 * 10/2021
- EM 000887872-0001 * 2/2008

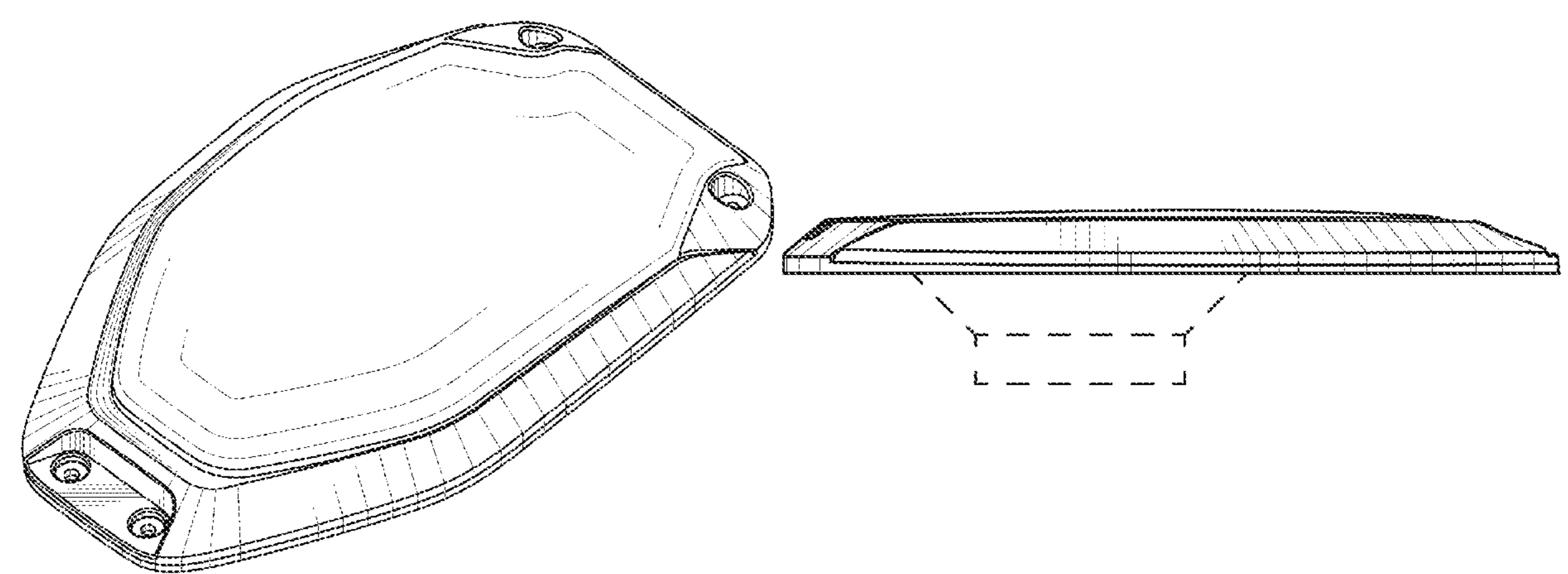
Primary Examiner — Paula Allen Greene
(74) *Attorney, Agent, or Firm* — Crowell & Moring LLP

(57) **CLAIM**
The ornamental design for an in-car speaker, as shown and described.

DESCRIPTION

FIG. 1 is a perspective view of an in-car speaker;
FIG. 2 is a front view thereof;
FIG. 3 is a rear view thereof;
FIG. 4 is a top view thereof;
FIG. 5 is a bottom view thereof;
FIG. 6 is a right side view thereof; and,
FIG. 7 is a left side view thereof.
The broken lines are for environmental purposes only and do not form any part of the claimed design

1 Claim, 7 Drawing Sheets



(56)

References Cited

U.S. PATENT DOCUMENTS

4,551,849 A * 11/1985 Kasai B60R 11/0217
381/152
4,582,162 A * 4/1986 Katsuno B60R 11/0217
181/141
4,602,382 A * 7/1986 Gabbay H04R 1/021
381/389
D287,582 S * 1/1987 Dayan D14/215
D300,924 S * 5/1989 Mauch D14/225
D310,082 S * 8/1990 Kehl D14/225
D314,546 S * 2/1991 Insaurralde D14/210
D317,135 S * 5/1991 Novack D10/104.1
5,113,968 A * 5/1992 Lemmon H04R 1/023
181/148
D338,012 S * 8/1993 Wall D14/225
D357,201 S * 4/1995 Novack D10/104.1
5,416,283 A * 5/1995 Dault B60R 11/0217
181/141
5,565,659 A * 10/1996 Moner, Jr. H04R 1/023
181/141
D380,199 S * 6/1997 Beruscha D10/75
5,708,565 A * 1/1998 Fairbanks H05K 3/285
361/704
D399,209 S * 10/1998 Yamagishi D14/218
D402,658 S * 12/1998 Hyogo D14/215
D406,845 S * 3/1999 Goto D14/215
6,061,460 A * 5/2000 Seo H04R 1/025
381/388
D432,524 S * 10/2000 Yamagishi D14/218
D437,314 S * 2/2001 DeLeon D14/242
D447,729 S * 9/2001 Song D13/103
6,456,722 B1 * 9/2002 Davey B60R 11/0217
381/389

D470,839 S * 2/2003 Tuhkanen D14/240
6,654,464 B2 * 11/2003 Roussy H01R 13/6608
379/433.03
D483,281 S * 12/2003 Cobigo D10/104.1
6,675,930 B2 * 1/2004 Sugiyama H04R 1/025
181/148
D491,478 S * 6/2004 Shoji D10/70
D508,690 S * 8/2005 Hioki D14/214
D512,926 S * 12/2005 Kondoh D10/70
D517,534 S * 3/2006 Ogura D14/225
D523,854 S * 6/2006 Rinna D14/358
D526,990 S * 8/2006 Slevin D14/149
D535,977 S * 1/2007 Suzuki D14/214
7,364,009 B2 * 4/2008 Sperle H04R 1/025
181/150
D593,068 S 5/2009 Kim et al.
D662,066 S * 6/2012 Seidl D13/168
D682,430 S * 5/2013 Kasic, II D24/174
D682,810 S * 5/2013 Chen D14/222
D698,333 S * 1/2014 Kolton D14/205
D736,706 S * 8/2015 Huang D13/108
D744,455 S * 12/2015 Huang D14/222
D754,551 S * 4/2016 Heikkila D10/65
D807,318 S * 1/2018 Folkmann D14/149
D840,974 S * 2/2019 Ferren D14/205
D858,498 S * 9/2019 Busl D14/240
D886,081 S * 6/2020 Goins D14/217
D902,179 S * 11/2020 Miller D14/217
D918,159 S * 5/2021 Kim D13/168
D920,263 S * 5/2021 Kim D13/168
D920,931 S * 6/2021 Kim D13/168
2004/0025480 A1 * 2/2004 Thanheiser B01D 46/0004
55/385.3
2021/0099784 A1 * 4/2021 Lin H04R 1/1075

* cited by examiner

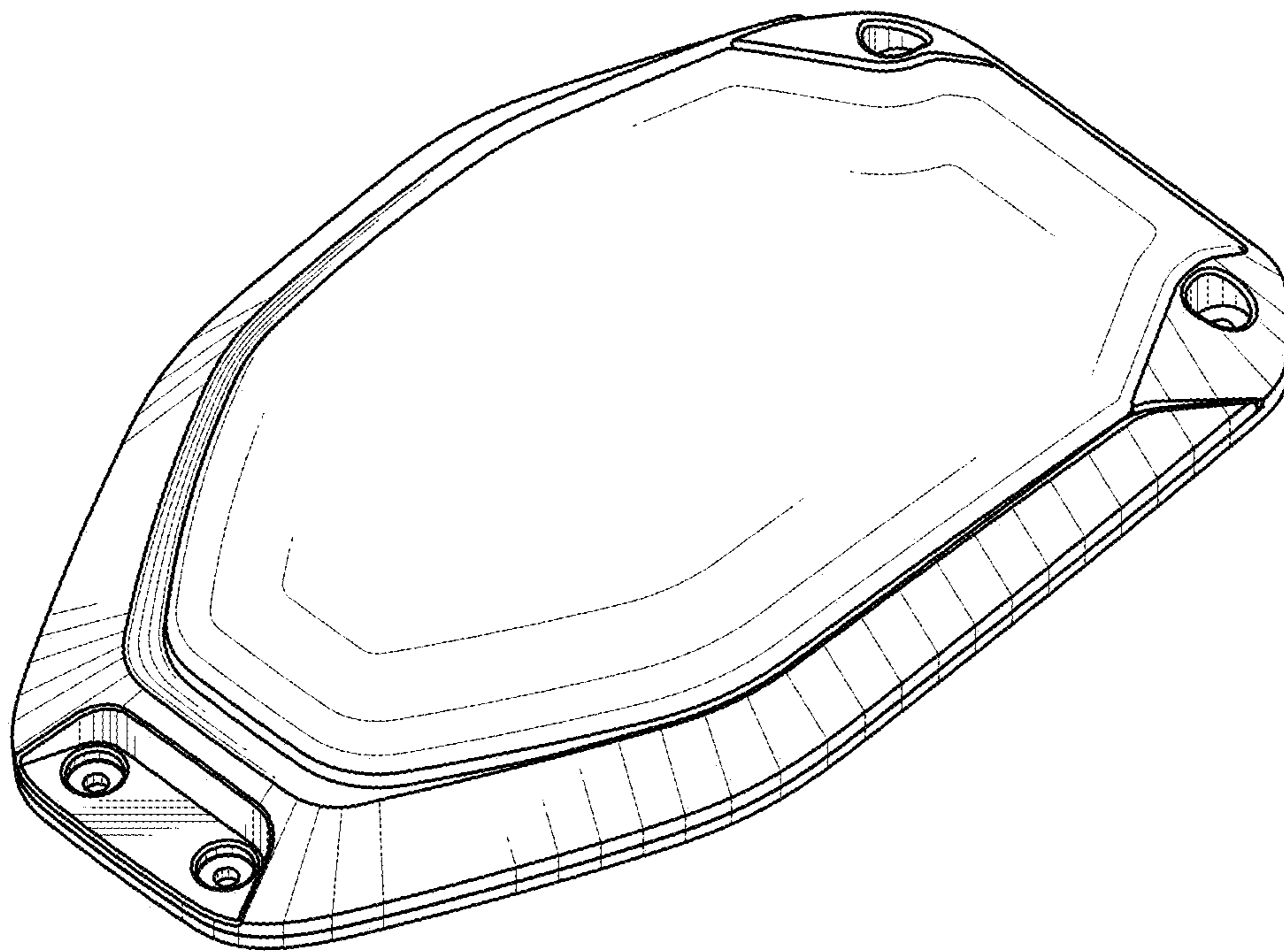


FIG. 1

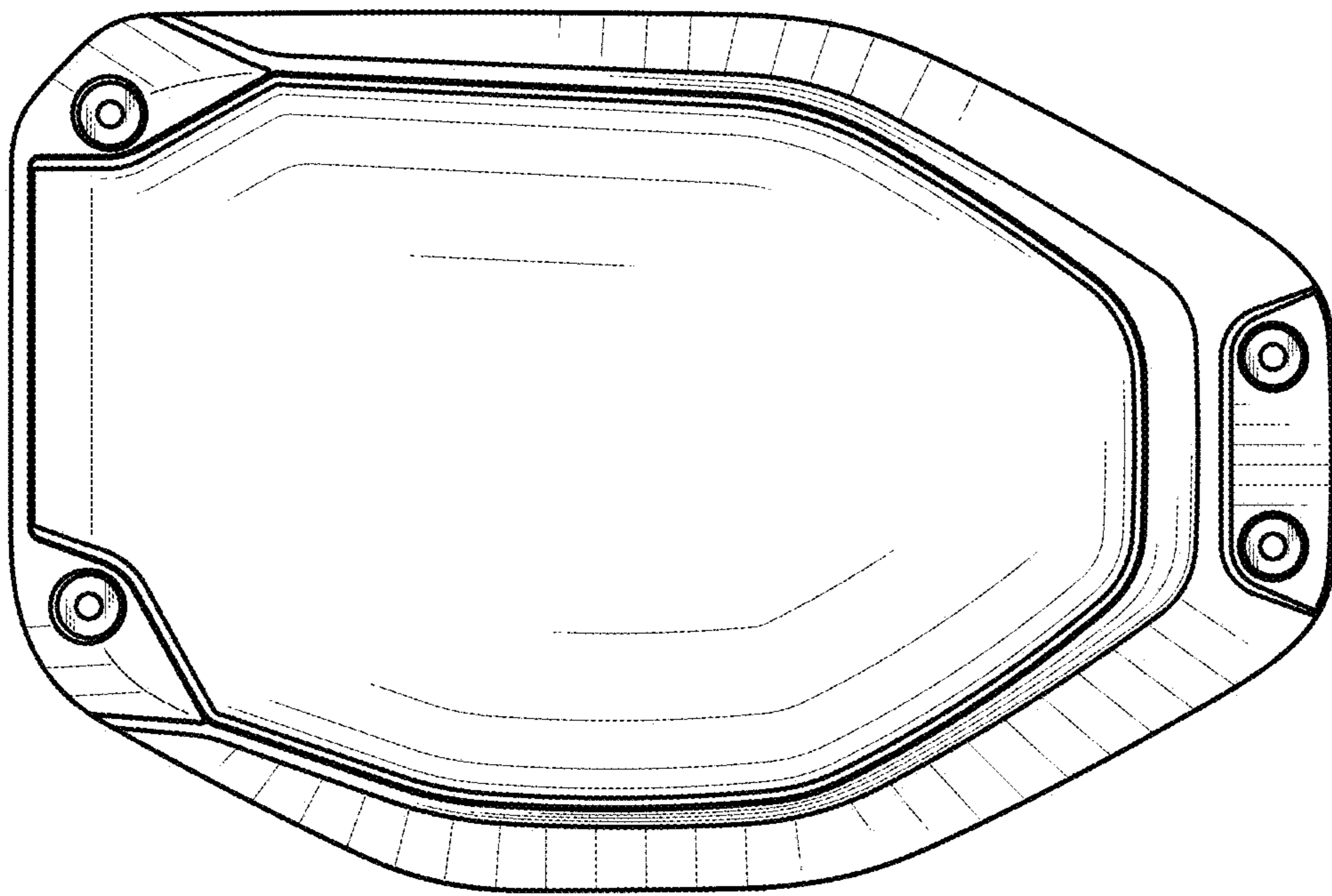


FIG. 2

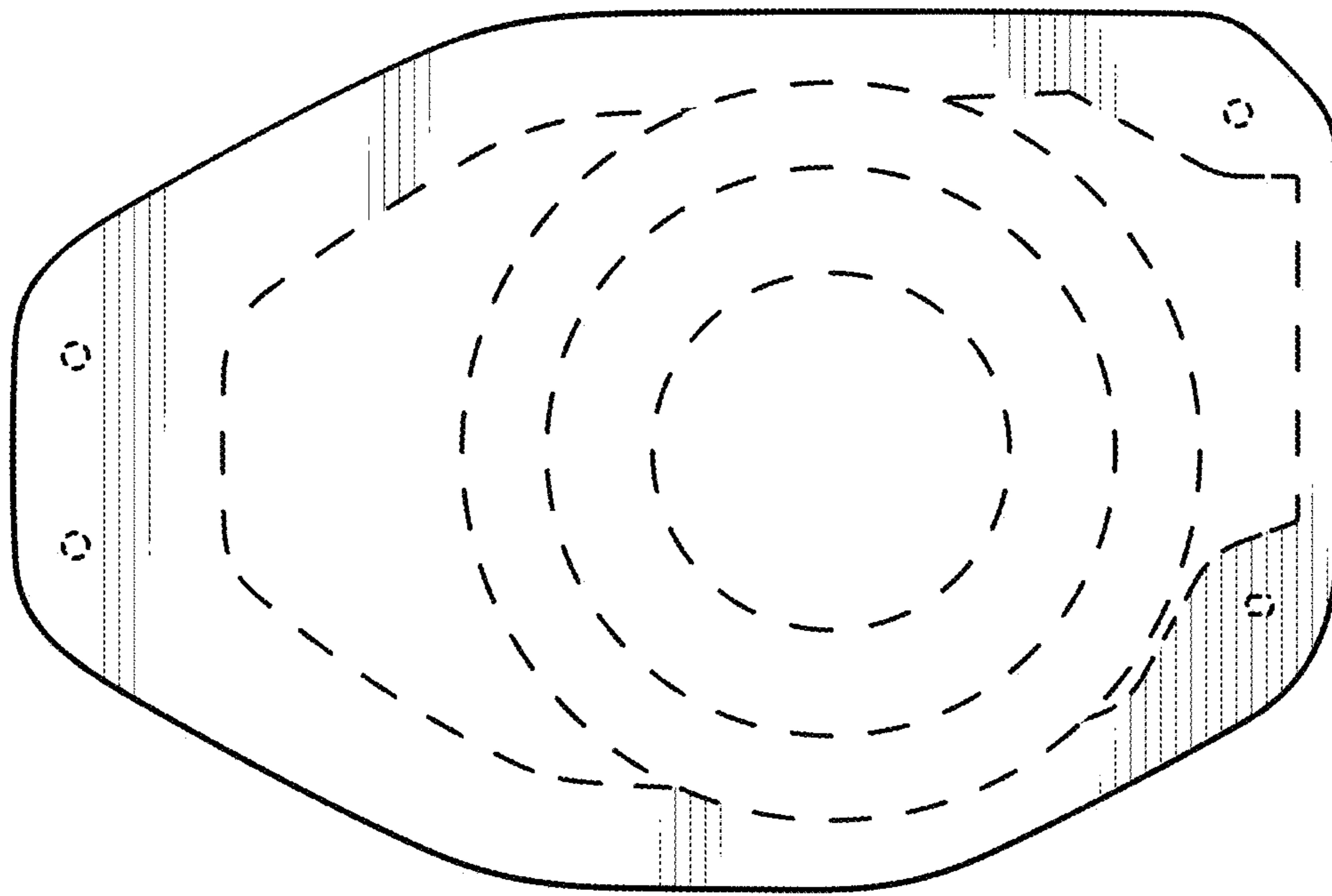


FIG. 3

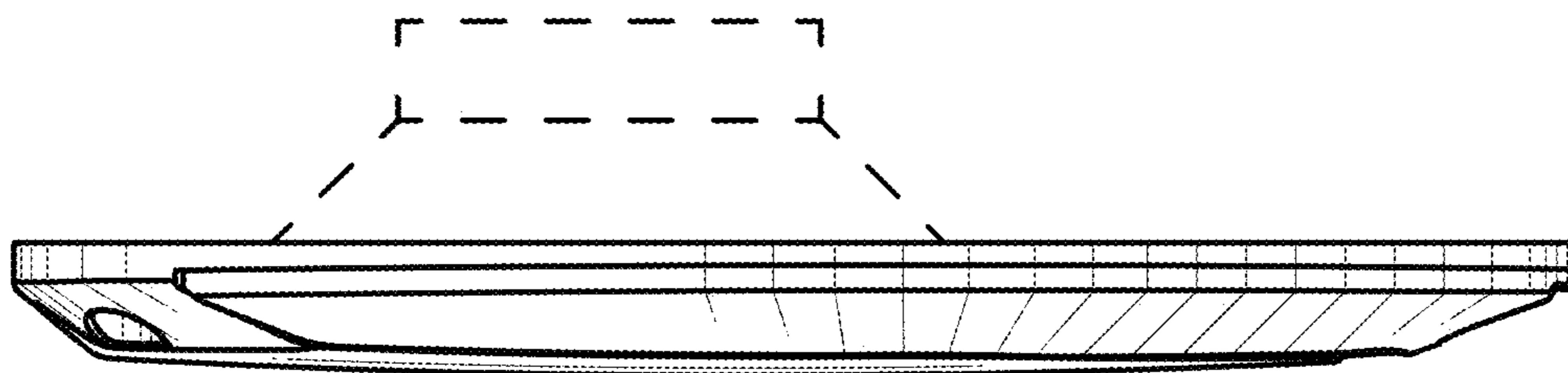


FIG. 4

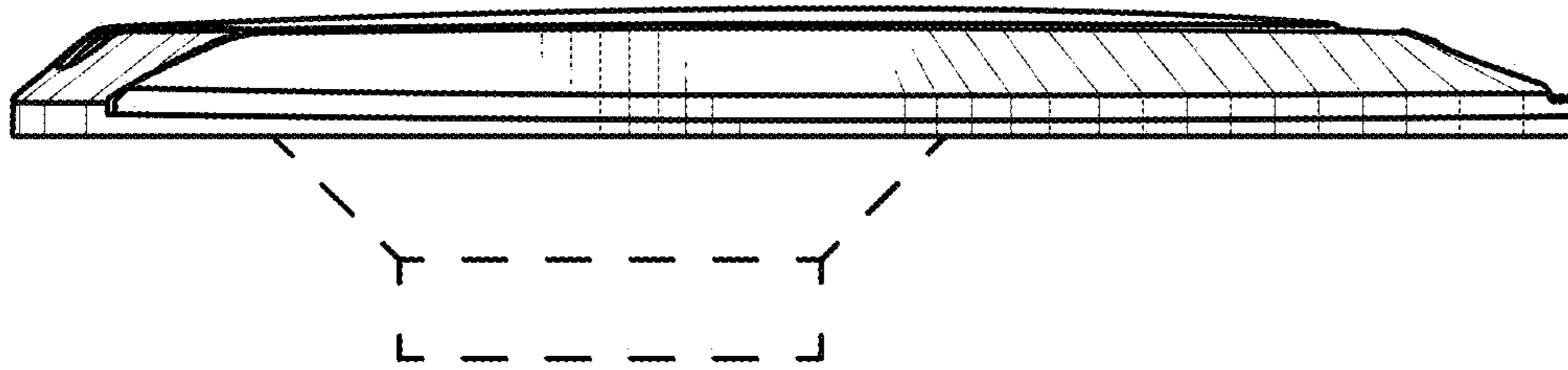


FIG. 5

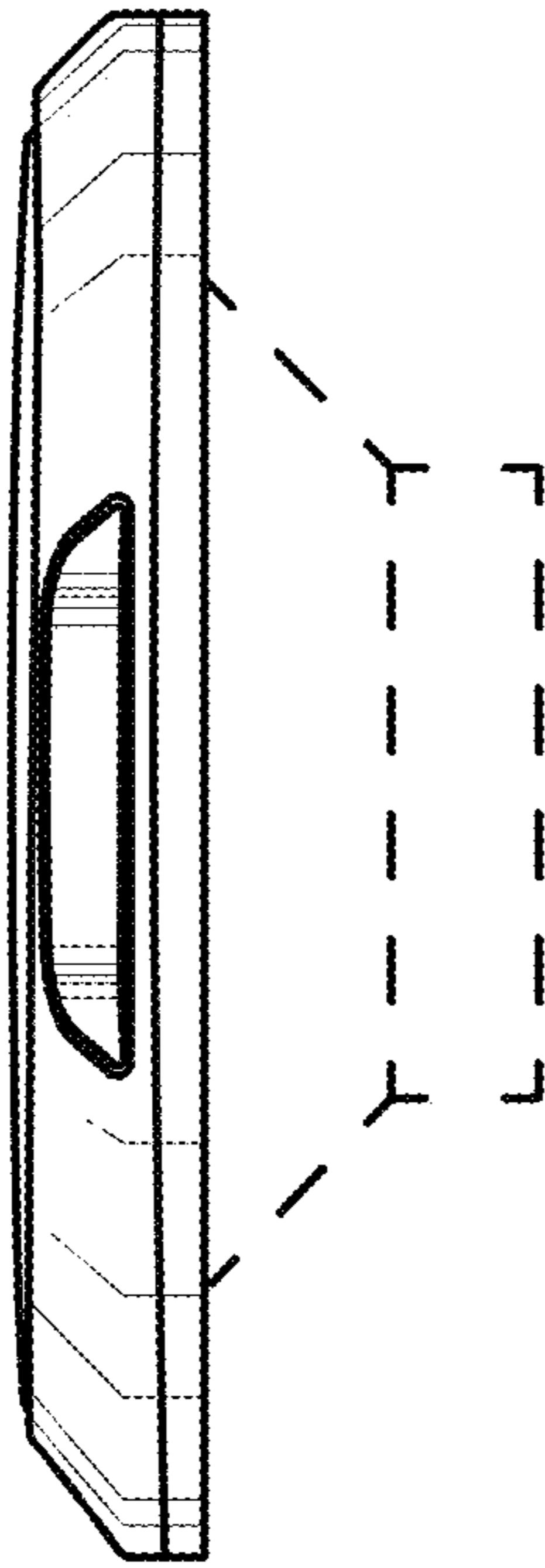


FIG. 6

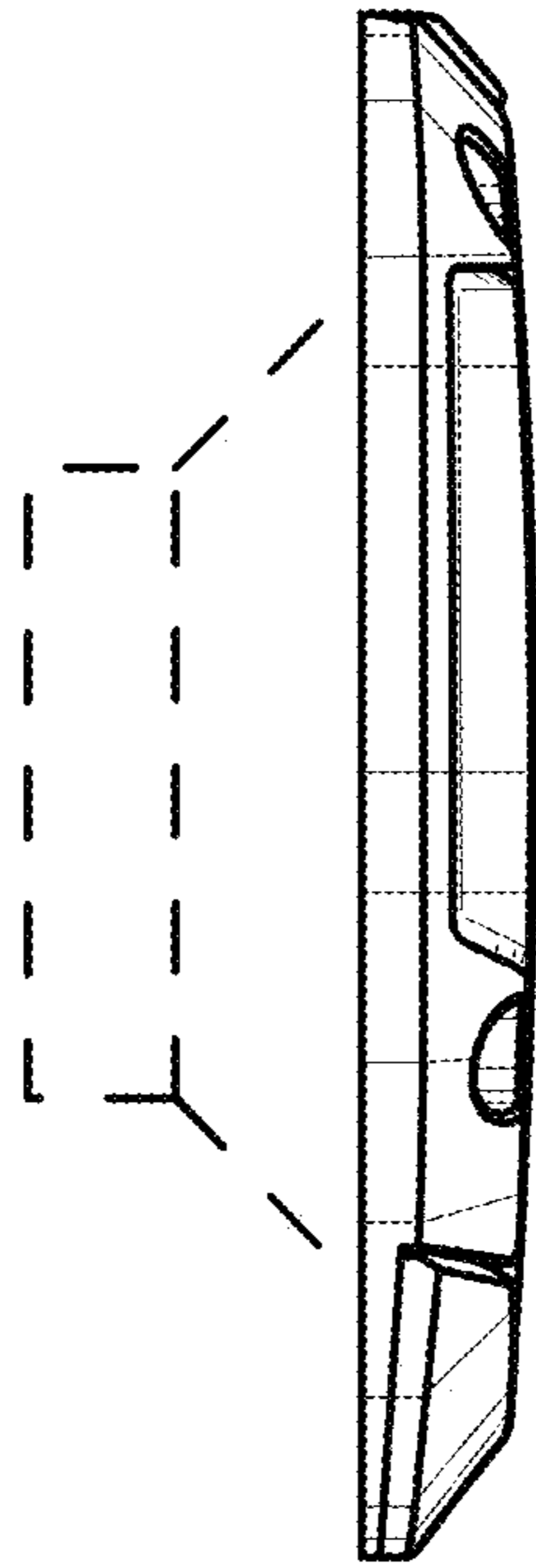


FIG. 7